



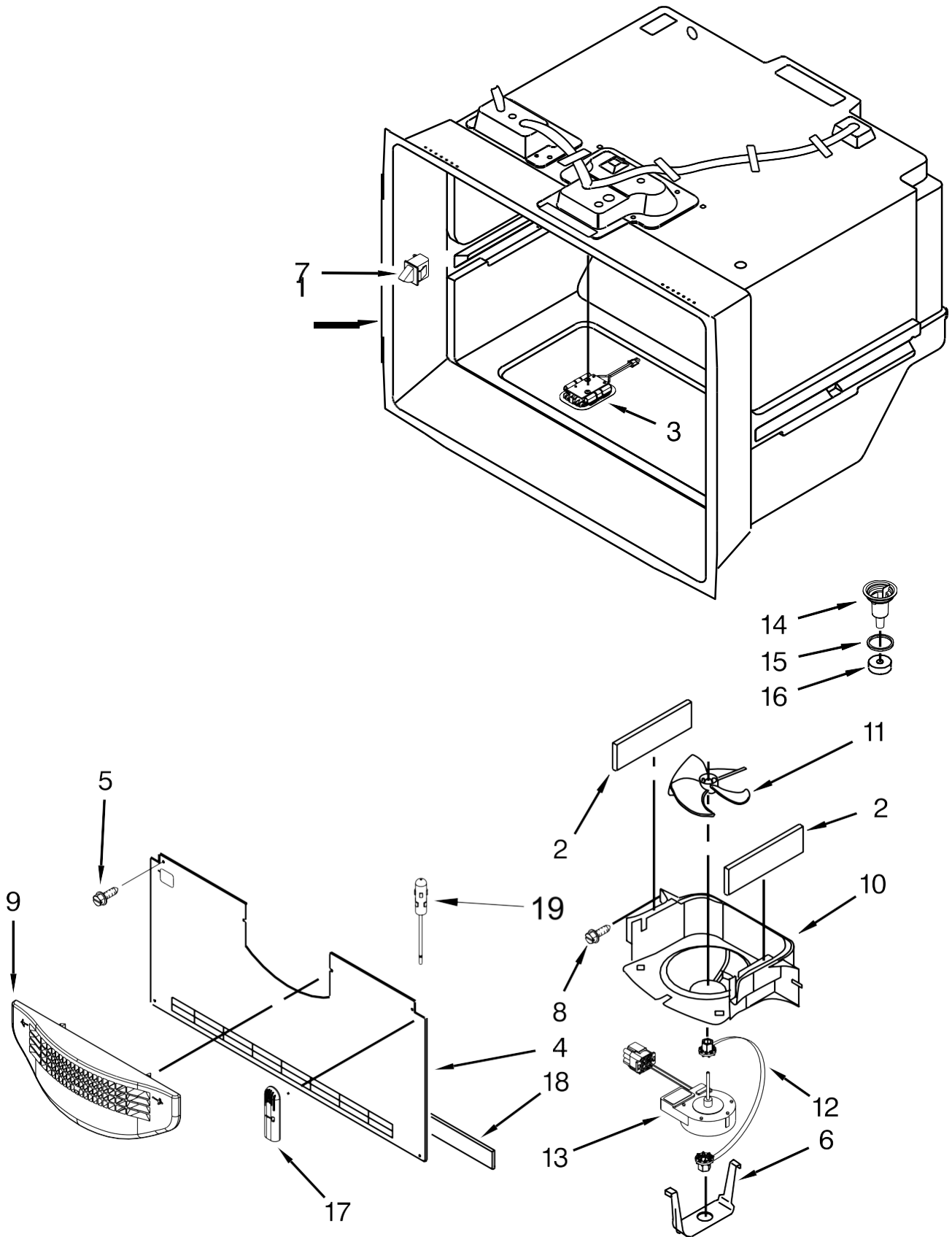
## Refrigerador Whirlpool 7WF736SDAM11

<u>Illus.</u> <u>No.</u>	<u>Part No.</u>	<u>Description</u>
1		Literature Parts
	W10442529	Use & Care Guide
	W10568023	Tech Sheet
2	W10453401	Supply, Power
3	W10344432	Block, Pivot
4	W10505487	Gasket
5	W10589838	Control, Electronic
6	W10415341	Gasket, HV Box
7	A3076901	Plug, Button
8	W10141622	Brake, Roller
9	12992602	Screw
10		Hinge, Top
	W10248409	Right Hand
	W10248410	Left Hand
11	W10403212	Screw (Grey)
12		Cover, Right Hinge
	W10407158	Grey
13		Cover, Left Hinge
	W10471618	Grey

<u>Illus.</u> <u>No.</u>	<u>Part No.</u>	<u>Description</u>
14	W10308751	Screw (Black)
15		Hinge, Center (Right)
	W10248703	Grey
16	W10336736	Cover, Roller
17		Cover, Corner
	12587703AP	Grey
19		Assembly, Roller
	W10515762	Right Hand
	W10515763	Left Hand
20	12991302	Screw
21	12990701	Screw
22		Grille, Toe
	W10637671	Grey
23	12992601	Screw
24		Hinge, Center (Left)
	W10248706	Grey
25	W10141645	Screw
26	12990511	Screw
27	12990302	Screw

<u>Illus.</u> <u>No.</u>	<u>Part No.</u>	<u>Description</u>
28	W10485658	Cover, Control Box
29	12466105	Switch, Light
30	W10577369	Cover, Unit
31	M0108107	Clamp, Tube
32	W10141645	Screw
33	W10277839	Lid, HV
34	W10505294	Coupler, Door
35	W10212137	Retainer, Door
36		Cabinet (Not a Servicable Part)
37	W10271541	Connector, Union
38	489348	Clamp, Tube
39	W10558244	Tube, Water
40	W10394076	Valve, Water

Refrigerador Whirlpool 7WF736SDAM11



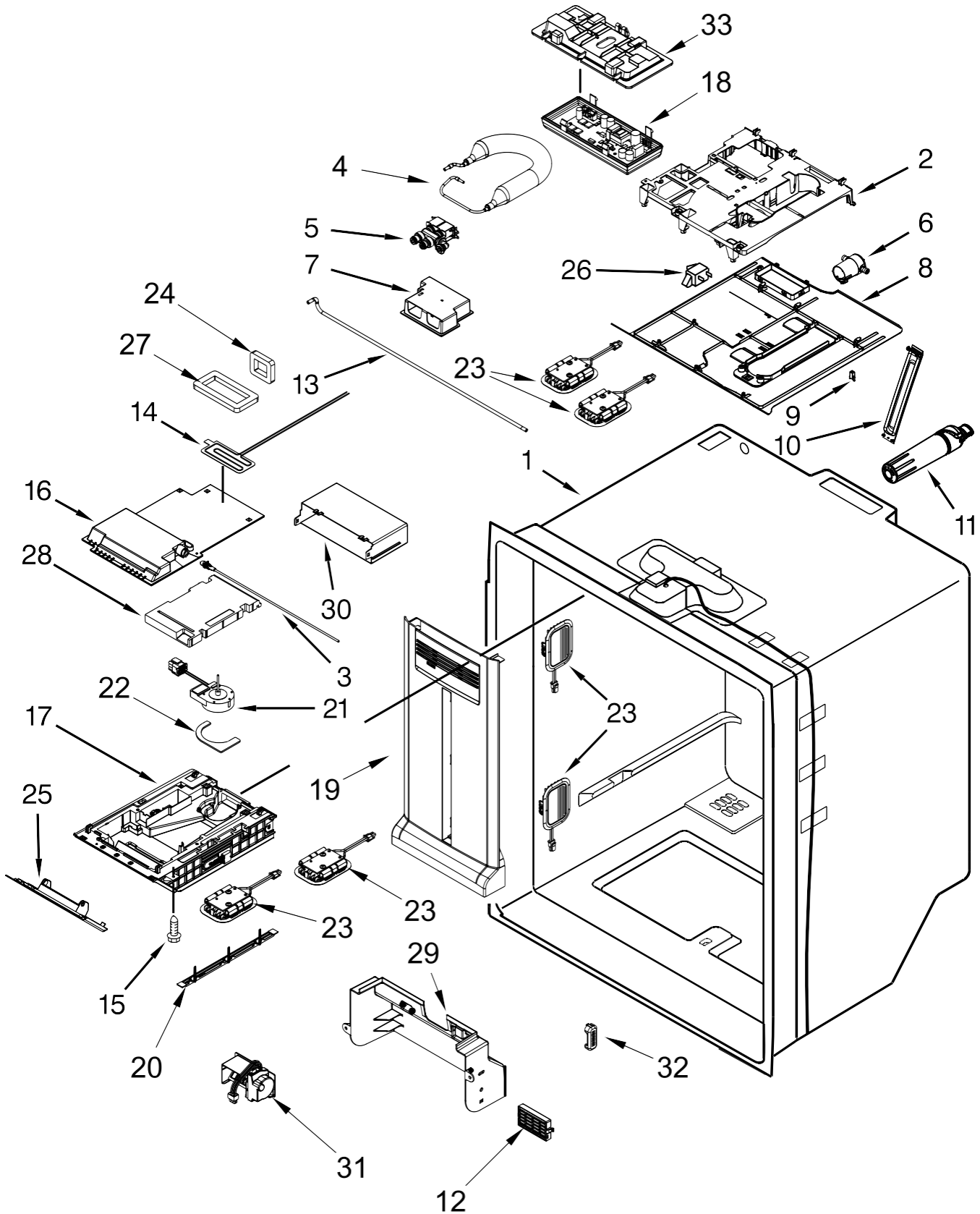


Refrigerador Whirlpool 7WF736SDAM11

<u>Illus.</u> <u>No.</u>	<u>Part No.</u>	<u>Description</u>
1		Liner (Not A Serviceable Part)
2	A3189392	Gasket, Foam
3	W10456436	Module, LED
4	W10513428	Cover, Evaporator
5	12990511	Screw
6	12956601	Clip, Fan Motor
7	C3680310V	Switch, Light
8	12990504	Screw

<u>Illus.</u> <u>No.</u>	<u>Part No.</u>	<u>Description</u>
9	W10496613	Grille, Air (Freezer)
10	W10363507	Shroud, Evaporator Fan
11	12986101	Blade, Fan
12	12951101	Grommet, Fan Motor
13	W10561029	Motor, Evaporator (Includes Harness, Thermistor, & Defrost Thermostat)
14	W10503218	Funnel, Drain

<u>Illus.</u> <u>No.</u>	<u>Part No.</u>	<u>Description</u>
15	M0500703	Seal
16	B8381501	Gasket, Drain
17	W10405166	Cover, Thermistor
18	W10531268	Gasket, Dual Evaporator
19	W10280385	Thermistor



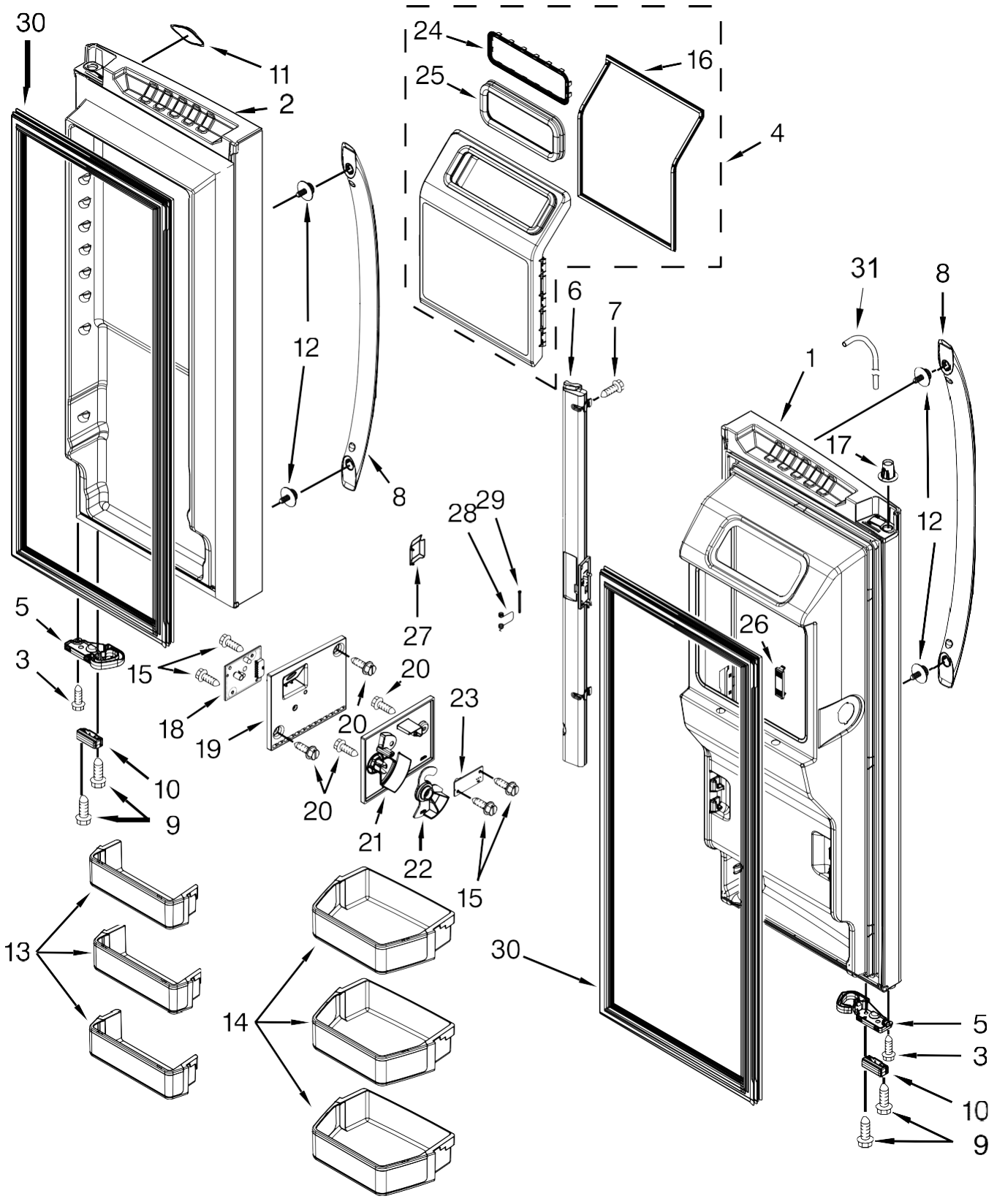


## Refrigerador Whirlpool 7WF736SDAM11

<u>Illus. No.</u>	<u>Part No.</u>	<u>Description</u>
1		Liner (Not A Serviceable Part)
2	W10562486	Housing, Water System
4	W10394085	Reservoir, Water (Also Order Wire Tie Part 8567668 Qty 3)
5	W10341329	Valve, Dual Water
6	W10238156	Housing, Water Filter
7	W10279854	Enclosure, Valve
8	W10575423	Cover, Water Box
9	2223877	Latch, Push
10	W10277949	Door, Filter Access
11	W10238154	Filter, Water
12	W10315189	Filter, Air

<u>Illus. No.</u>	<u>Part No.</u>	<u>Description</u>
13	W10515793	Waterline, Valve to Hinge
14	W10554299	Heater, Fill Tube
15	12990518	Screw
16	W10598013	Cover, Icebox
17	W10347640	Icebox Assembly
18	W10524406	LED Assembly
19	W10580769	Air Tower Assembly
20	W10515072	Trim, Icebox
21	W10460280	Assembly, Blower
22	W10392172	Gasket, Fan
23	W10456436	Module, LED
24	W10320706	Gasket, Rear Return
25	W10553630	Assembly, Fascia

<u>Illus. No.</u>	<u>Part No.</u>	<u>Description</u>
26	C3680310V	Switch, Light
27	W10280988	Gasket, Rear Supply
28	W10280983	Insulation
29	W10530312	Cover, Damper
30	W10635023	Adapter Assembly, Ice Box
31	W10479155	Damper, Control
32	W10438957	Cover, Thermistor
33	W10445802	Cup-LED Bracket
		Following Parts Not Illustrated
	W10570726	Harness, LED Light
	W10570599	Harness, Dual Valve





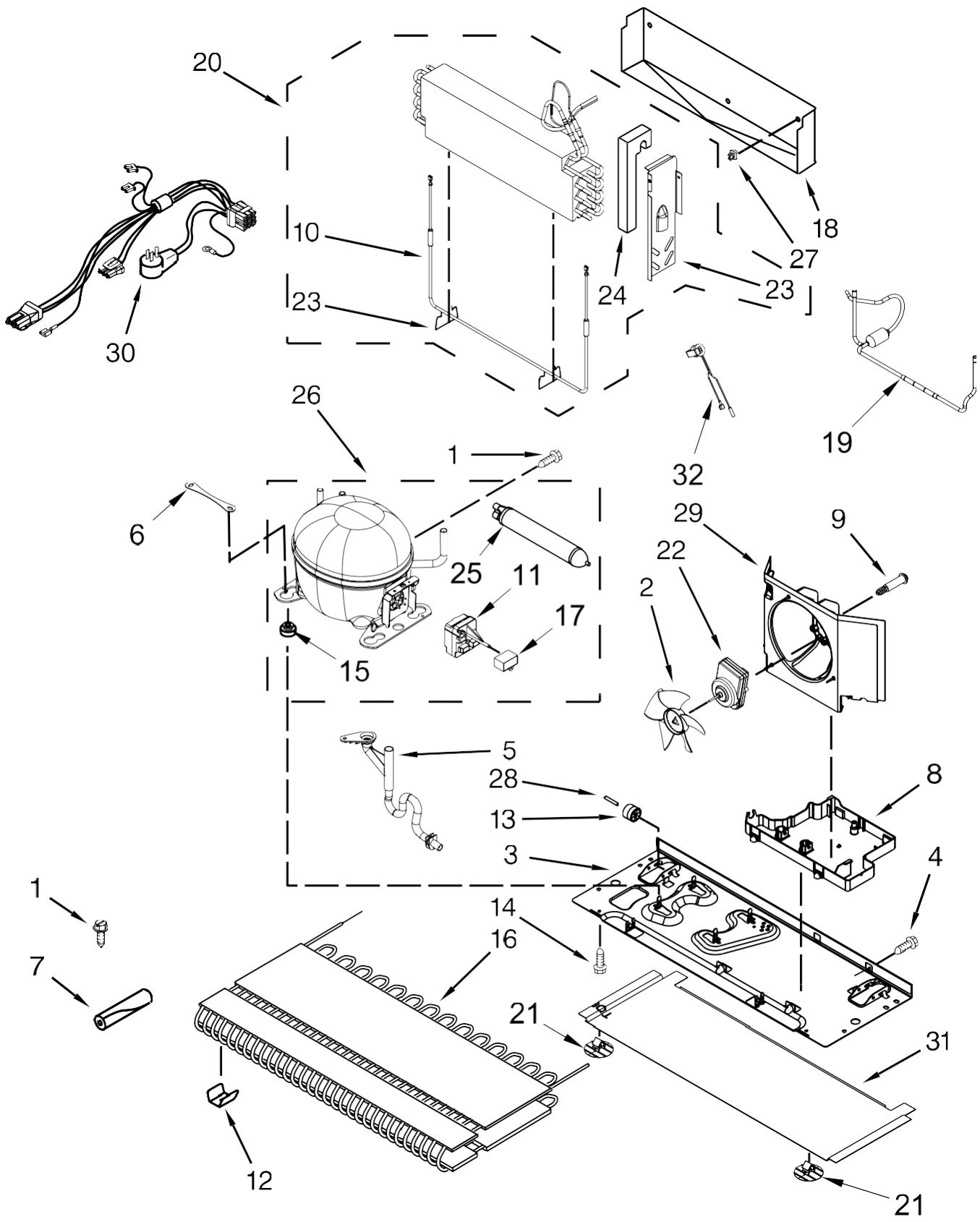
Refrigerador Whirlpool 7WF736SDAM11

<u>Illus.</u> <u>No.</u>	<u>Part No.</u>	<u>Description</u>
1		Door, Left
	W10422783	Stainless
2		Door, Right
	W10422771	Stainless
3	W10464016	Screw
4	W10549592	Ice Door Assembly
5		Latch, Door
	W10355634	Left Hand
	W10372267	Right Hand
6		Mullion, Door
	W10407254	Grey
7	12990204	Screw
8		Handle, Door
	W10557410	Brushed Aluminum
9	12990504	Screw

<u>Illus.</u> <u>No.</u>	<u>Part No.</u>	<u>Description</u>
10		Bumper, Door
	W10407188	Grey
11		Nameplate
	W10393265	Grey
12	W10460893	Screw
13	W10555822	Trivet Assembly
14	W10493524	Bucket, Gallon
15	489214	Screw
16	W10347085	Gasket, Ice Door
17	W10245516	Clip, Tube
18	W10518658	Board, Receiver Circuit
19	W10258510	Cover, Receiver
20	3400065	Screw (Stainless)
21	W10258502	Cover, Emitter
22	W10258540	Slide, Icemaker Shut Off

<u>Illus.</u> <u>No.</u>	<u>Part No.</u>	<u>Description</u>
23	W10518659	Board, Emitter Circuit
24	W10400825	Retainer, Ice Chute
25	W10347087	Gasket, Ice Chute
26	W10535700	Vent, Thermistor
27	W10258520	Door, Emitter
28	2198635	Spring, Door
29	2198634	Pin, Door
30		Gasket, Door
	W10407146	Grey
31	W10515777	Tube, Water





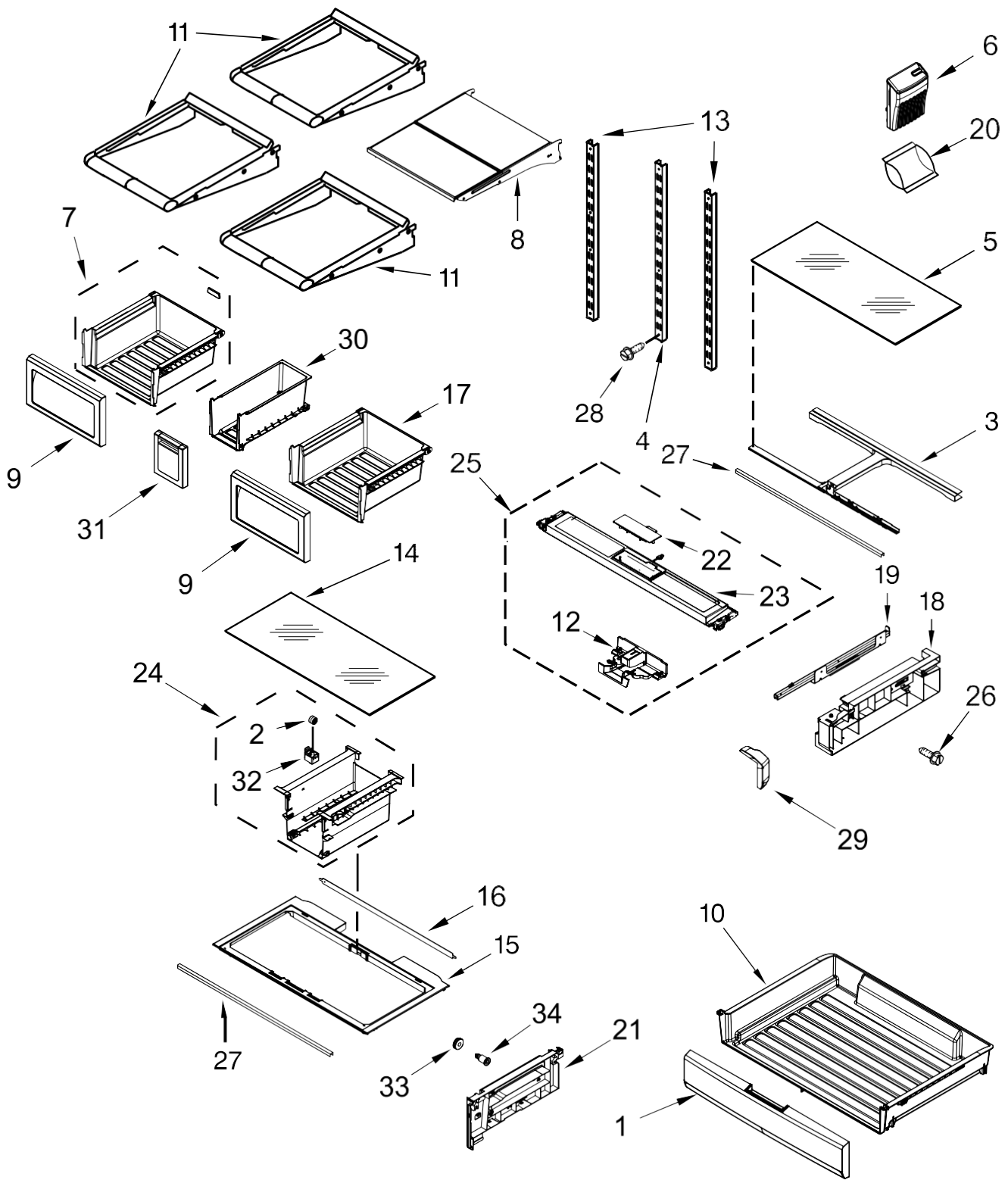


Refrigerador Whirlpool 7WF736SDAM11

<u>Illus.</u> <u>No.</u>	<u>Part No.</u>	<u>Description</u>
1	12992101	Screw
2	12825802	Blade, Fan
3	W10570074	Baseplate
4	12990511	Screw
5	W10553833	Extension, Drain
6	W10236396	Strap, Compressor
7	W10303521	Sleeve
8	W10238584	Tray, Evaporator
9	W10216919	Screw, Shoulder
10	12729128	Heater, Defrost
11	W10197428	Start Device, Combination (Start Relay and Overload)
12	W10248621	Clip, Condenser
13	12477102	Roller
14	12992101	Screw
15	W10413009	Grommet, Air Return

<u>Illus.</u> <u>No.</u>	<u>Part No.</u>	<u>Description</u>
16	W10559262	Condenser
17	W10350564	Capacitor
18	W10512220	Drip Tray
19	W10463542	Tube, Suction
20	W10248589	Evaporator
21	W10296661	Clip, Bottom Cover
22	2188874	Motor, Condenser
23	10428101	Clip, Heater
24	W10491355	Gasket, Airdam
25	W10177049	Drier
26	W10391109	Compressor (Also Order 876765 Tube Kit)
27	W10142294	Screw
28	12477202	Axle, Roller
29	W10406719	Shroud
30	W10367947	Power Cord

<u>Illus.</u> <u>No.</u>	<u>Part No.</u>	<u>Description</u>
31	W10278140	Cover, Bottom Unit
32	W10561029	Motor, Evaporator (Includes Harness, Thermistor, & Defrost Thermostat)
		Following Parts Not Illustrated
	978025	Valve, Access
	978026	Valve, Access
	978027	Valve, Access
	978028	Valve, Access
	978029	Valve, Access
	978030	Valve, Access
	876764	Valve, Access
		REFRIGERANT CHARGE 5.25 oz. (R-134A)



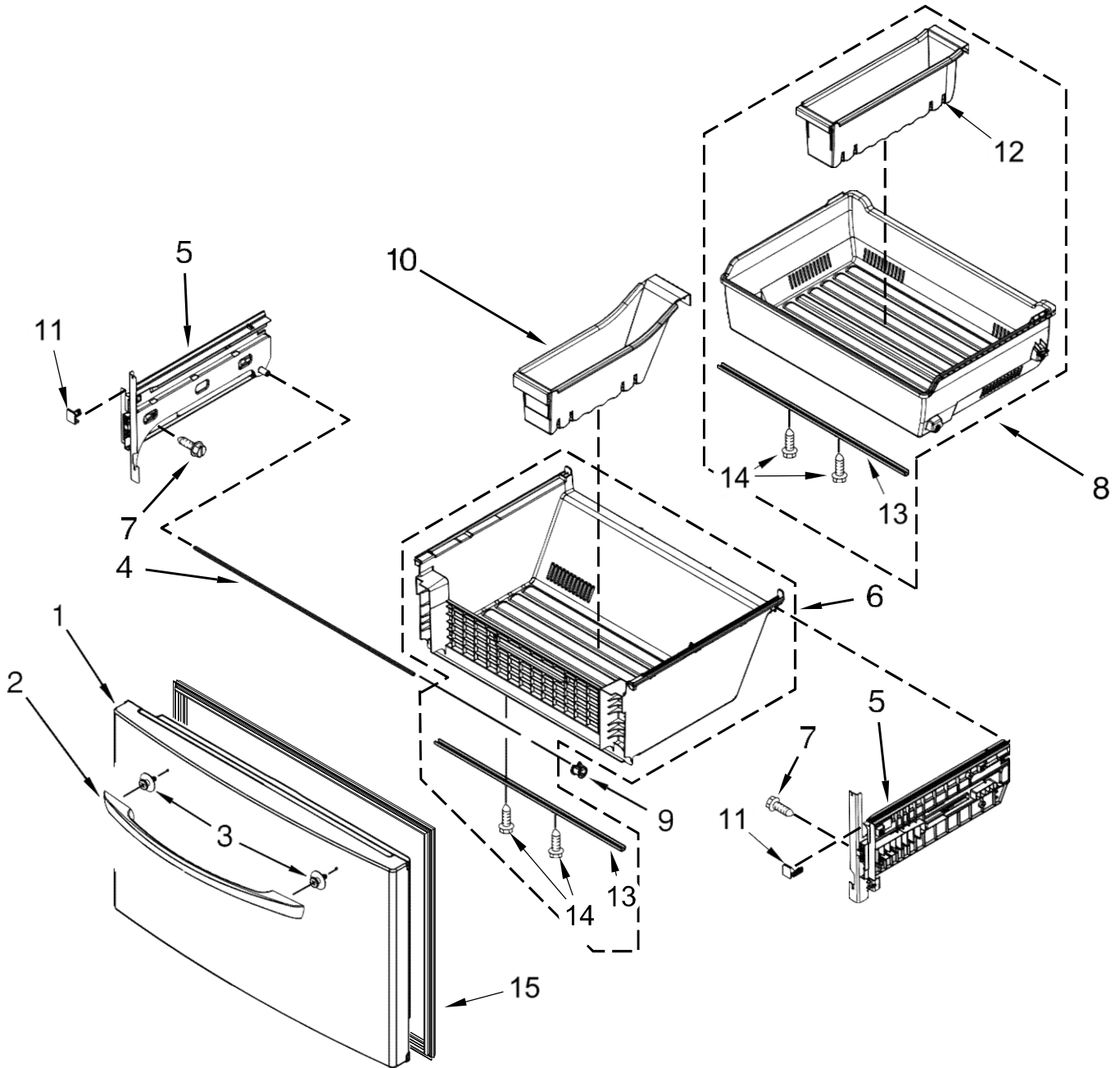


## Refrigerador Whirlpool 7WF736SDAM11

<u>Illus. No.</u>	<u>Part No.</u>	<u>Description</u>
1	W10510417	Front, Pantry
2	W10248789	Roller, Center
3	W10515051	Support, Pantry
4	W10248516	Ladder, Center
5	W10248799	Glass, Pantry
6	W10408747	Holder, Filter
7	W10422706	Pan, Crisper
8	W10467468	Top Shelf Assembly
9	W10510693	Front Crisper Assembly
10	W10514690	Pan, Pantry
11	W10493529	Shelf Assembly
12	W10512596	Knob, Pantry Temp Control
13	W10372170	Ladder, Side
14	W10428945	Glass, Crisper
15	W10423799	Cover, Crisper
16	W10248967	Support, Rear
17	W10387757	Pan, Crisper

<u>Illus. No.</u>	<u>Part No.</u>	<u>Description</u>
18		Plate, Side Pantry
	W10248798	Left Hand
	W10248796	Right Hand
19		Slide, Pantry
	W10508327	Left Hand
	W10508326	Right Hand
20	W10346771	Filter, Produce Preserver
21		Plate, Crisper
	W10530311	Left Hand
	W10530310	Right Hand
22	W10554279	Housing, Pantry Temp Control
23	W10554285	Cover, Pantry Top
24	W10549605	Assembly, Center Crisper Support
25	W10554293	Cover Assembly, Front Pantry
26	W10185612	Screw
27	W10236512	Support, Front

<u>Illus. No.</u>	<u>Part No.</u>	<u>Description</u>
28	W10423560	Screw
29		Front, Sideplate (Pantry)
	W10248852	Left Hand
	W10248851	Right Hand
30	W10387778	Pan, Crisper
31	W10423520	Crisper, Front
32	W10530314	Housing, Roller
33	W10248544	Roller, Guide
34	W10257246	Axle, Roller



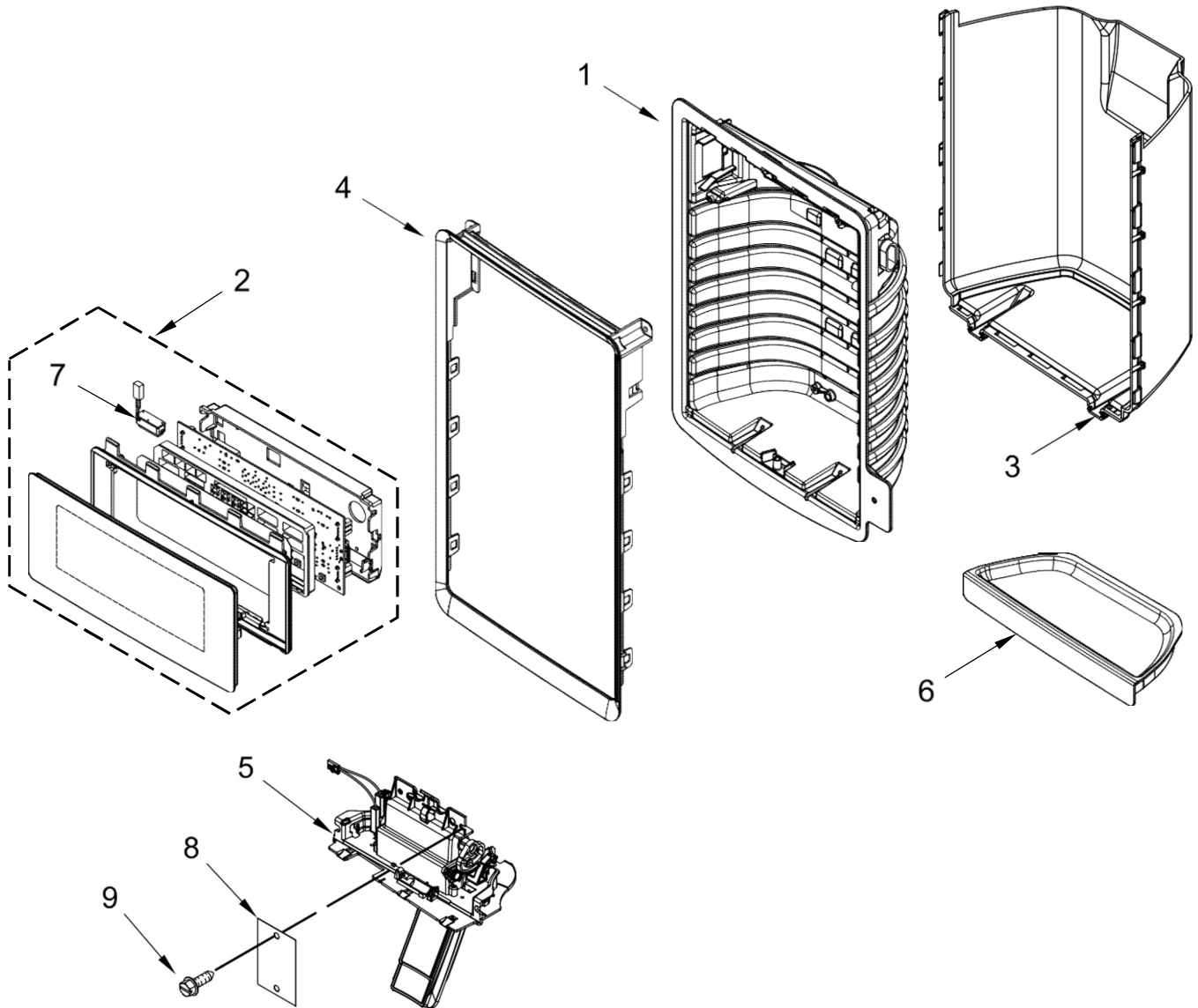


Refrigerador Whirlpool 7WF736SDAM11

<u>Illus.</u>	<u>No.</u>	<u>Part No.</u>	<u>Description</u>
1			Door, Freezer
		W10422791	Stainless
2			Handle, Door
		W10557413N	Stainless
3		W10460893	Screw
4		W10503521	Shaft-Rack
5			Assembly, Bracket
		W10625067	Left Hand
		W10625068	Right Hand

<u>Illus.</u>	<u>No.</u>	<u>Part No.</u>	<u>Description</u>
6		W10590552	Pan Assembly, Lower
7		12990518	Screw
8		W10557676	Pan Assembly, Upper
9		W10248509	Clip, Shaft
10		W10507444	Divider, Lower
11			Stop, Pan
		W10485096	Left Hand
		W10485089	Right Hand
12		W10485654	Divider, Upper

<u>Illus.</u>	<u>No.</u>	<u>Part No.</u>	<u>Description</u>
13		W10469177	Support, Pan
14		489443	Screw (Stainless)
15			Gasket, Door
		W10248749	Grey

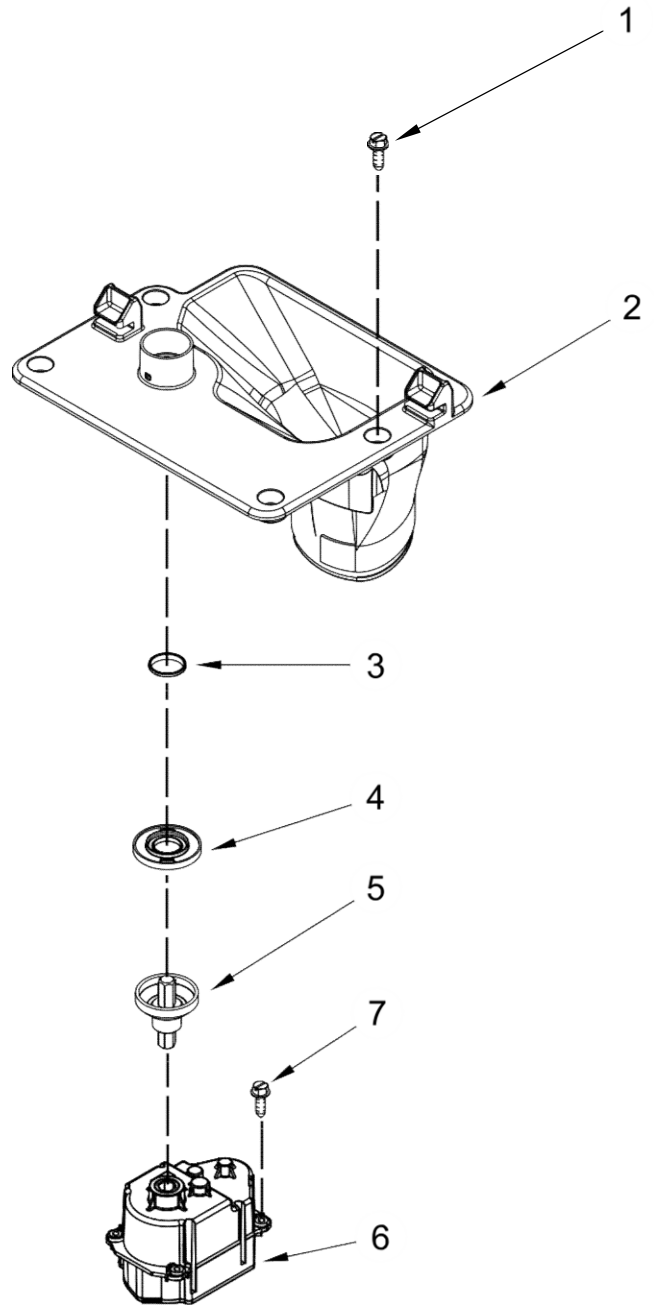
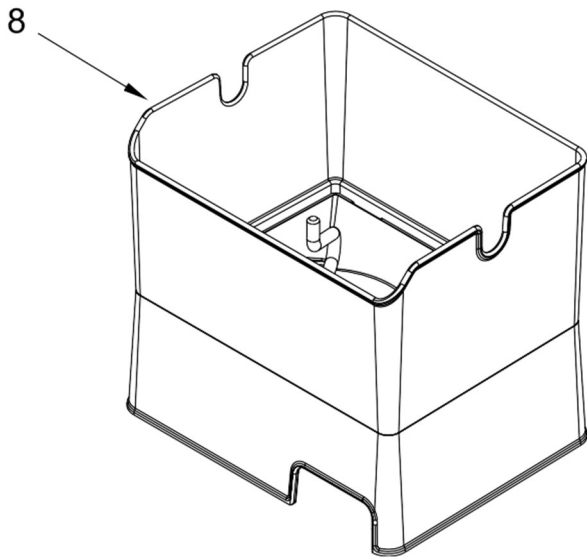




## Refrigerador Whirlpool 7WF736SDAM11

<u>Illus.</u> <u>No.</u>	<u>Part No.</u> <u>Description</u>	<u>Illus.</u> <u>No.</u>	<u>Part No.</u> <u>Description</u>	<u>Illus.</u> <u>No.</u>	<u>Part No.</u> <u>Description</u>
1	Housing, Dispenser (Not Serviced)	5	Separator Assembly	8	W10572633 Shield, Separator
2	Assembly, User Interface		W10616134 Grey	9	W10272364 Screw
	W10590573 White	6	Tray, Drip		
3	Wall, Dispenser False		W10606639 Grey		
	W10488324 Grey	7	W10470750 LED Assembly		
4	Ring, Trim				
	W10424567 Grey				





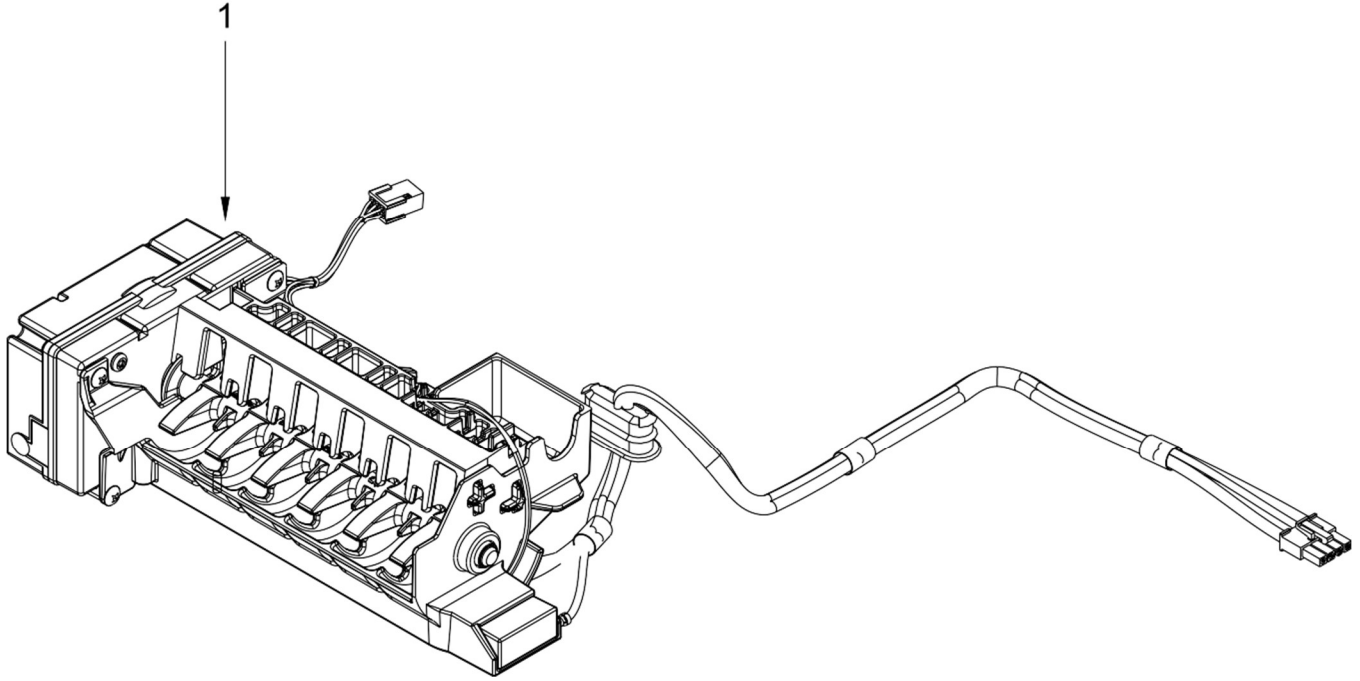


## Refrigerador Whirlpool 7WF736SDAM11

<u>Illus.</u> <u>No.</u>	<u>Part No.</u>	<u>Description</u>
1	W10272364	Screw
2	W10347051	Plate, Ice Chute
3	2198628	Seal

<u>Illus.</u> <u>No.</u>	<u>Part No.</u>	<u>Description</u>
4	W10347120	Clip, Retainer
5	W10347114	Shaft, Motor
6	W10215646	Motor, Dispenser

<u>Illus.</u> <u>No.</u>	<u>Part No.</u>	<u>Description</u>
7	8281163	Screw (Stainless)
8	W10347093	Assembly, Ice Container



<u>Illus.</u>	<u>No.</u>	<u>Part No.</u>	<u>Description</u>
	1	W10498261	Assembly, Icemaker

# OPTIONAL PARTS (NOT INCLUDED)

## PAINT, TOUCH-UP (1/2OZ.)

<u>Illus.</u> <u>No.</u>	<u>Part No.</u>	<u>Description</u>
	72017	White
	72032	Black
	511873	White Porcelain (2 oz.)
	4392899	Biscuit/Bisque

## PAINT, PRESSURIZED SPRAY (12 OZ.)

<u>Illus.</u> <u>No.</u>	<u>Part No.</u>	<u>Description</u>
	350930	White
	350939	Enamel, Black
	285006	Black
	350942	White Primer
	4392901	Biscuit/Bisque

## PAINT, BULK (1 QT.)

<u>Illus.</u> <u>No.</u>	<u>Part No.</u>	<u>Description</u>
	799344	White

## MISCELLANEOUS

<u>Illus.</u> <u>No.</u>	<u>Part No.</u>	<u>Description</u>
	212643	Sealer, Gum (4 Feet)
	479502	Tape, Vinyl (3/4 x 108")
	876370	Insulation (2 Pieces, 3" x 24" x 48")
	876305	Insulation Kit (14 Pieces, 3" x 24" x 48")
	978941	Insulation, Fiberglass (63 1/2" x 35 1/2" x 2 5/8")
	876029	Kit, Foam Slab (30" x 32 1/2" x 1 1/2")
	505587	Sealer, Mastic (1 Qt)
	503695	Cork, Sealer
	20000008	Cleaner, Stainless Steel
	542638	Grease, Silicone (1/2 Oz.)
	542639	Cement, Alumilastic (1 1/4 Oz.)
	833938	Kit, Terminal Connector

## TORX SCREW WRENCH

<u>Illus.</u> <u>No.</u>	<u>Part No.</u>	<u>Description</u>
	1117510	Torx Key