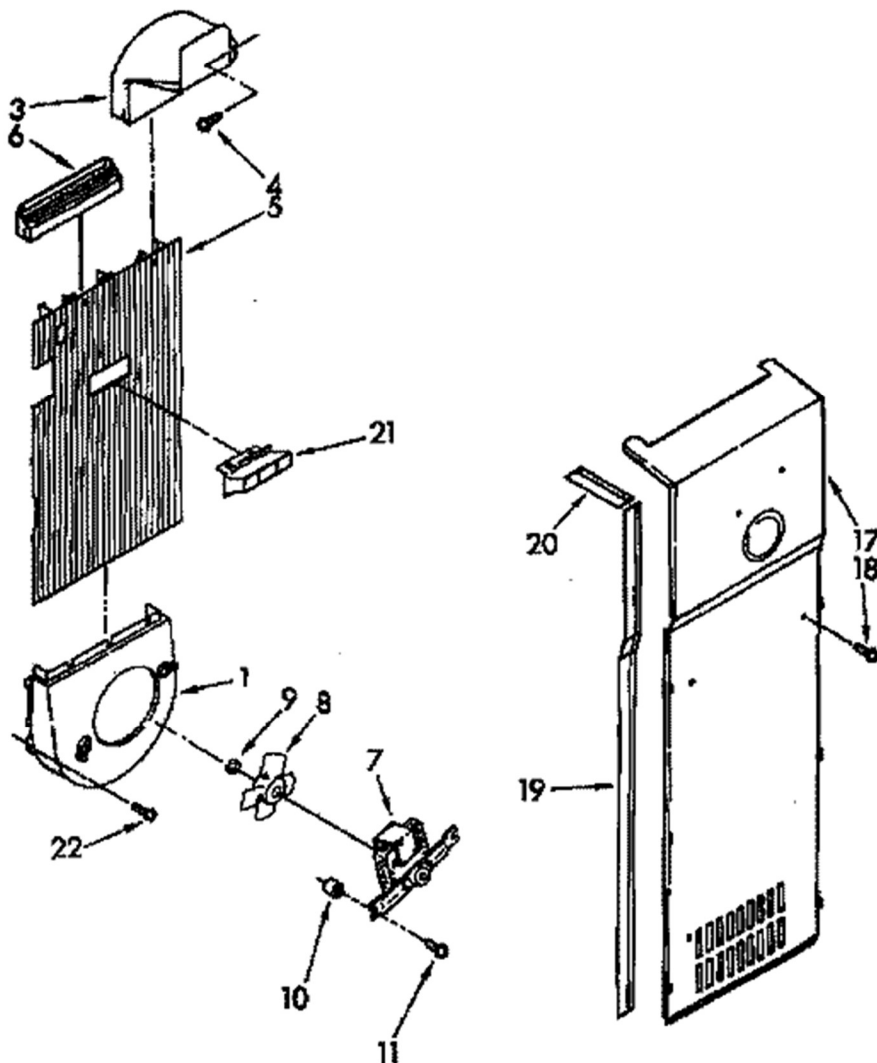


## AIR FLOW PARTS

For Model: 8ED25DQXXN00  
(Almond)



FOR ORDERING INFORMATION REFER TO PARTS PRICE LIST

4361069

18

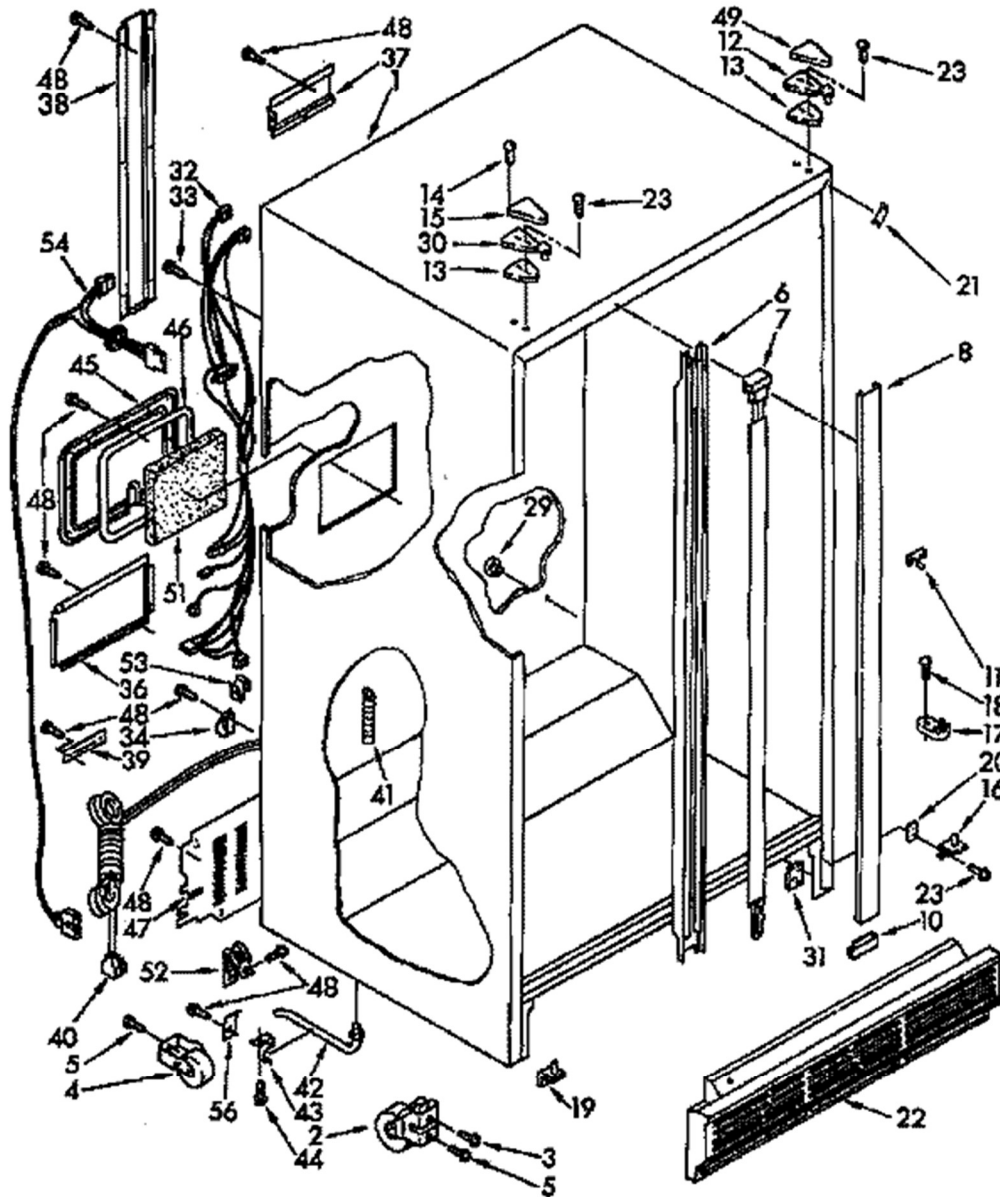
Copyright © 2005 by Denek Corporation  
All Rights Reserved

Copyright © 2005 by Denek Corporation  
All Rights Reserved

Guía	Descripción	Número
1	FAN-SCROLL	1127163
3	SCOOP-AIR	WP2161231
4	Screw	WP488729
5	DUCT-AIR	2157544
6	DIFFUSER AIR DUCT	1110666
7	Evaporator Fan Motor Kit	4318017
8	BLADE-FAN	992920
9	RING-COMPRESSION	992953
10	Grommet	WP531933
11	SCREW, 8 X 1-1/4 (2)	489168
17	COVER-EVAP	1127167
18	Screw	WP488729
19	GASKET	988494
20	GASKET, EVAPORATOR COVER TOP	1110676
21	DUCT	2182146
22	Screw	WP489478

## CABINET PARTS

For Model: 8ED25DQXXN00  
(Almond)



FOR ORDERING INFORMATION REFER TO PARTS PRICE LIST

4361069

2

Whisper Model Line  
© 2007

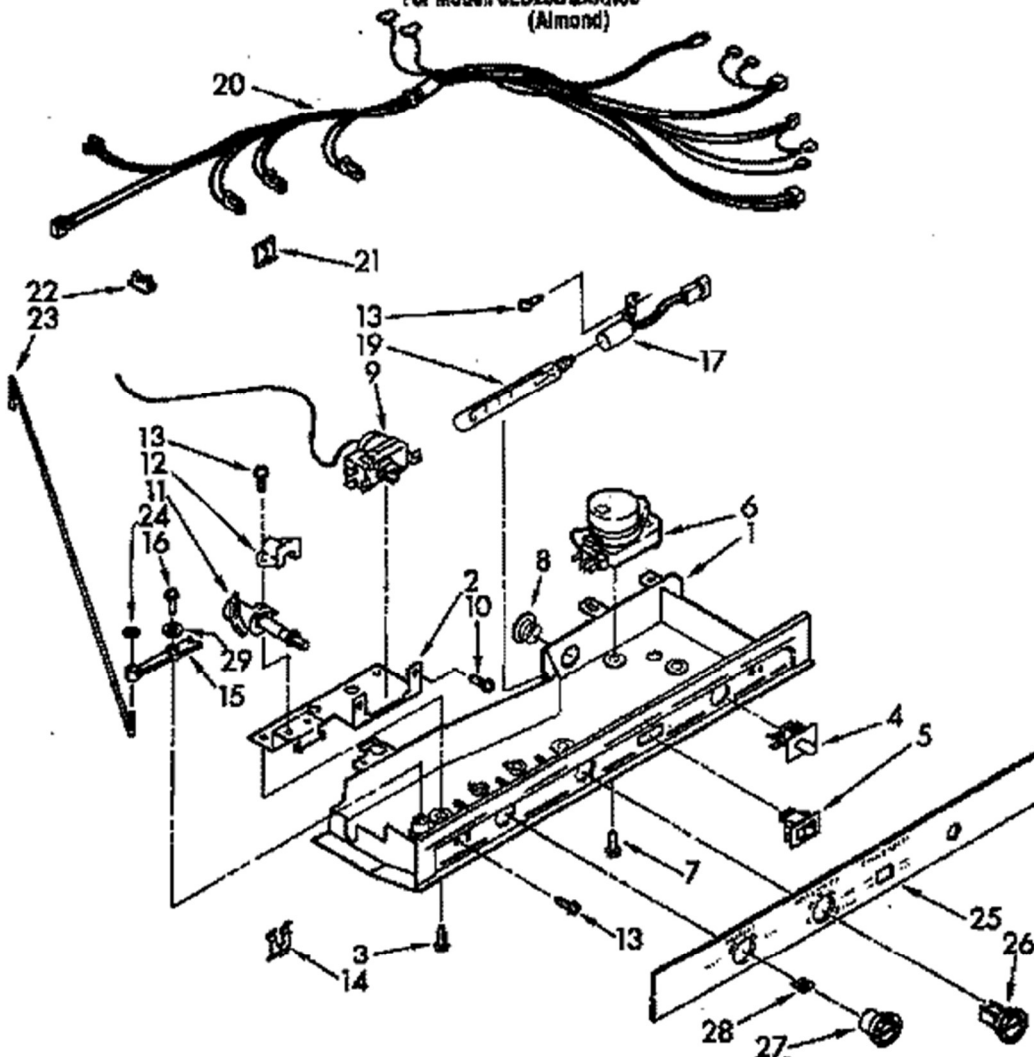
Copyright © 2007 by Whirlpool Corporation  
Printed in the U.S.A. All Rights Reserved

Guía	Descripción	Número
1	Hood, Canopy Non-serviceable	N/A
2	Refrigerator Front Roller Kit	4386774
3	SCREW,5/16-24 X 1-1/4	488681
4	Rear Roller	WPW10250570
5	Screw	WP489427
6	TRIM-BRKR	2155016
7	HEATER	1129434
8	FRONT MULLION RAIL	2147088
10	FILLER BOTTOM MULLION, ALMOND	1118362
11	Clip, Ground	1110607
12	USE WPL 1123510	1123514
13	SHIM	1123515
14	SCREW	489284
15	Upper Hinge Cover	WP1129262
16	Hinge Kit	4386946
17	Door Cam - Black	WPW10329686
18	Screw	WP489399
19	Hinge Kit	4386946
20	SPACER,HINGE FILLER,WRAPPER	1129868
21	FILLTER, WRAPPER, ALMOND	2196095
22	Kickplate Grille - Only Black Available	WP2155485
23	Screw	489327
29	Stud, Spacer	1129178
30	HINGE-DOOR	1123510
31	TOP-PLATE, BOTTOM HINGE RETAINER	2147310
32	HARNS-WIRE	2149745
33	Screw	WP250830
34	Clamp	WPM0103906
36	Cover, Wiring	129193
37	Wiring Shield, Short	1108440
38	Wiring Shield, Long	1119063
39	TUBE, CLAMP (2)	1105607
40	CORD-POWER	1113084
41	FERRULE, DRAIN CAP	934607
42	Extension Tube	WP1108438
43	Clip, Drain Tube	WP1108439
44	Screw	WP489478
45	PLUG-CABNT	1110626

Guía	Descripción	Número
46	SEALING GASKET	1115322
47	COVER-UNIT	2161317
48	Screw - 8-18 x 1/2	WP489464
49	Door Hinge Cover	1119787
51	SLIDE, CONTAINER, LEFT SIDE	1118237
52	Service Cord Clamp	549193
53	XLIP, WIRE	548745
54	Wiring Harness	WP2187501
56	TUBE, CLAMP	836472

## CONTROL PARTS

For Model: 8ED25DQXXN00  
(Almond)

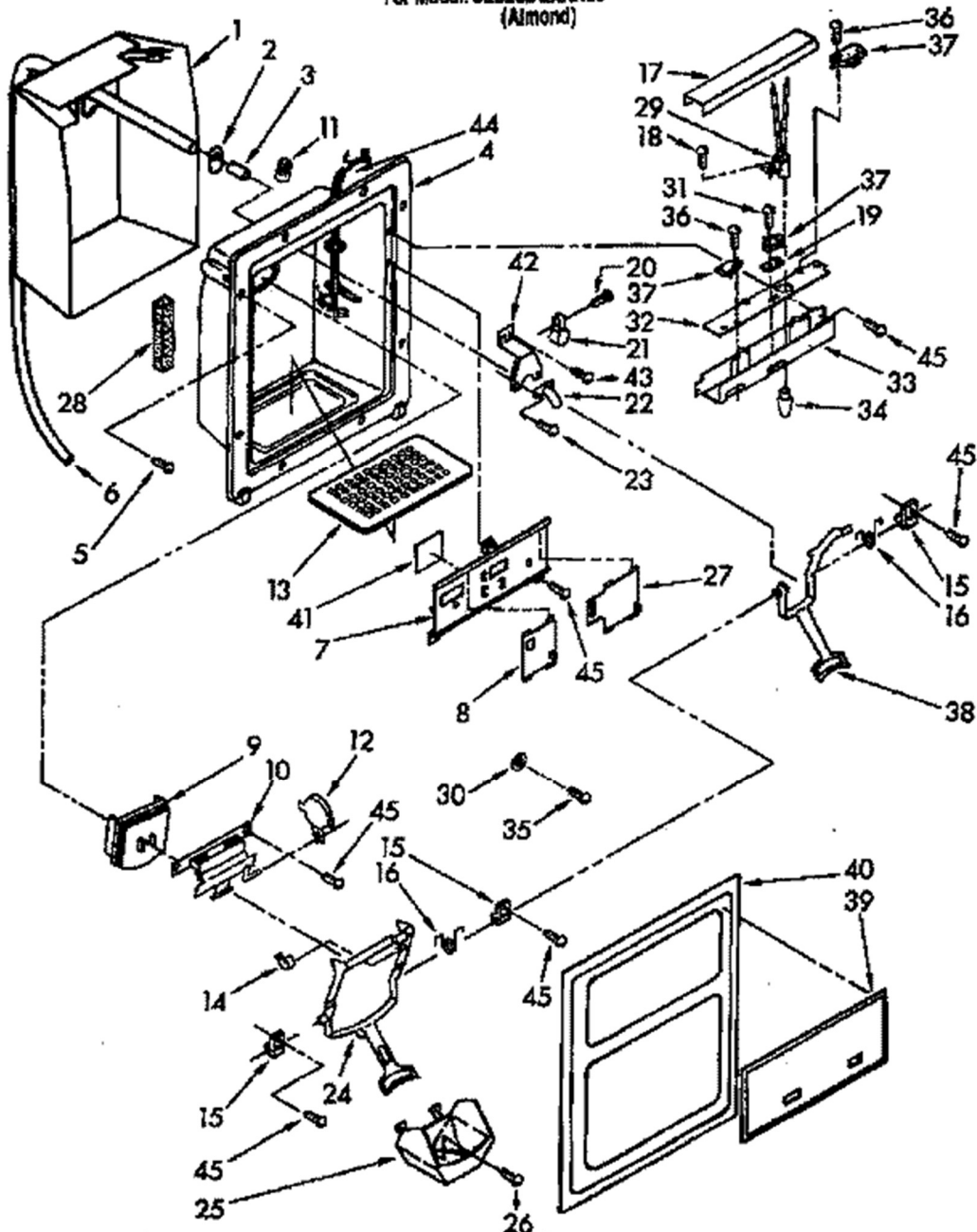


FOR ORDERING INFORMATION REFER TO PARTS PRICE LIST

<b>Guía</b>	<b>Descripción</b>	<b>Número</b>
1	Control Box	1129413
2	BRACKET	1110629
3	SCREW (2)	489397
4	Door Light Switch	WP2149705
5	Power Miser Switch	WP938213
6	Defrost Timer	W10822278
7	Screw	489392
8	BUTTON-PLG	940014
9	Thermostat Assembly	WP2198202
10	Screw	WP965173
11	Cam Assembly	WP2182195
12	BEARING	1110560
13	Screw	WP489478
15	ARM-PIVOT	W11256541
16	SCREW	627068
17	SOCKET, LIGHT	1110690
19	Light Bulb - 40W	WP548049
20	HARNS-WIRE	2149756
21	Clip, Wiring	WP1115374
22	Wiring Clip	1115375
23	ROD	1123960
24	FASTENER	489285
25	ESCUTCHEON	2148231
26	Thermostat Knob - White	2182111
27	Air Control Knob - White	2197871
28	RETAINER	837444
29	WASHER	489203

## DISPENSER FRONT PARTS

For Model: 8ED25DQXXN00  
(Almond)



FOR ORDERING INFORMATION REFER TO PARTS PRICE LIST

4361069

14

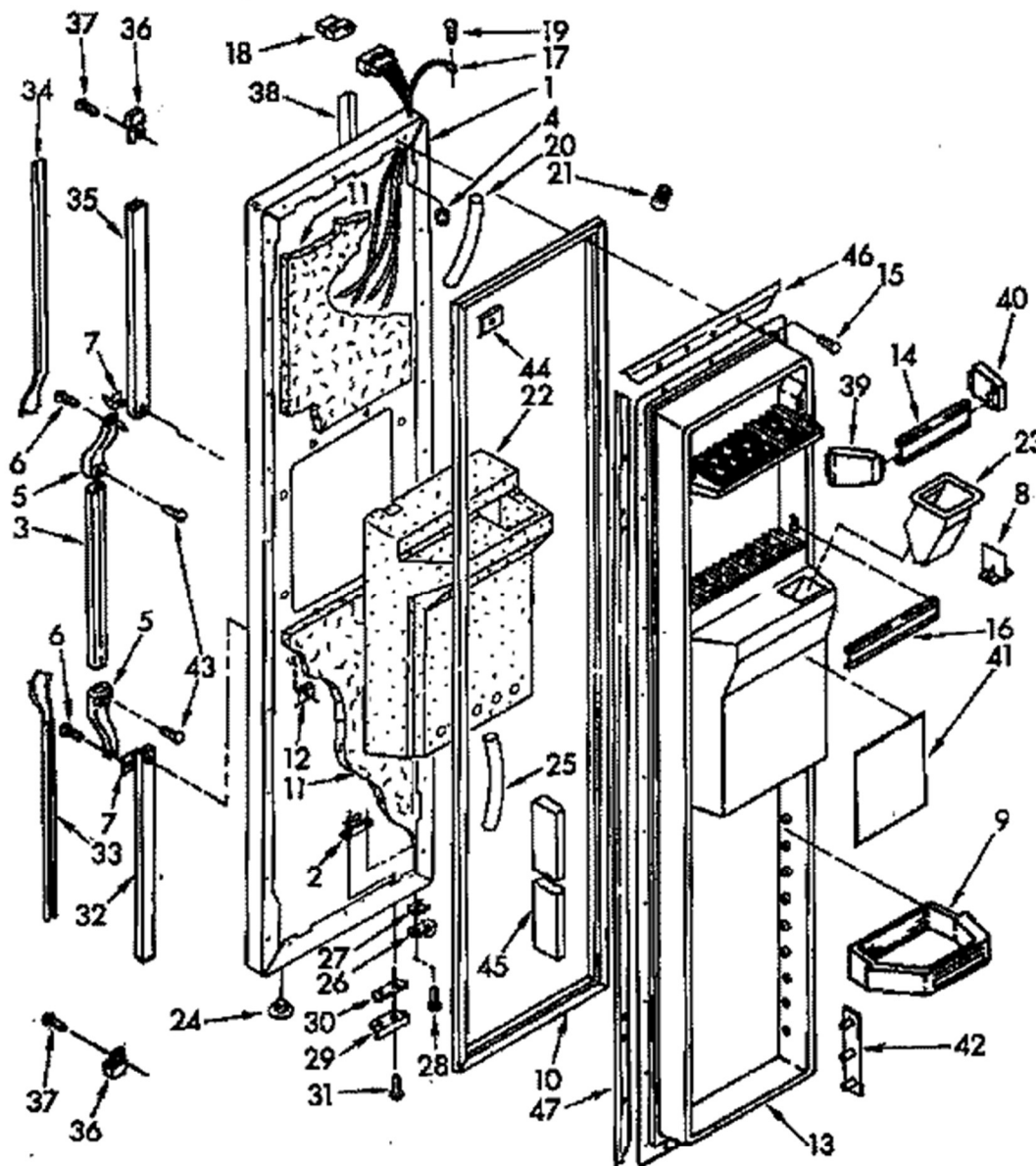


Guía	Descripción	Número
1	HEATER	483058
2	GROMMET	987048
3	Plastic Tubing Inserts - 4 Included	4387491
4	HOUSING, DISPENSER, BLACK	1107943
5	8-18 X .625 TR CR AB	W11693756
6	Water Tube Kit	W10823511
7	FRAME, SLIDES, BLACK	2152716
8	SLIDE, CUBE/CRUSH, BLACK	2152719
9	Ice Door Chute	WP2147168
10	Ice Door Hinge Mechanism with Mounting Bracket	WP2147167
11	WIRE, CONNECTOR	227991
12	Ice Door Mechanism	WP1120581
13	Dispenser Overflow Grille - Black Only	WP983900
14	RING-COMPR	987917
15	Lever Bearing	983697
16	Lever Spring	983696
17	SHIELD, WIRING	1119041
18	Screw	WP489128
19	Spacer	625834
20	Transformer Screw	WP488787
21	Water Hose Clamp	WP488878
22	Nozzle and Tube Kit	WP4388152
23	Screw	WP965173
24	ARM-DISPSR	2177144
25	Ice Cube Guide	1124730
26	STAINLESS BLACK	489197
27	SLIDE, LIGHT, SWITCH, BLACK	2152724
28	SEAL-STRIP	482672
29	SOCKET	2166862
30	Washer (Repair)	489336
31	USED W/625846 MOTOR	488361
32	INSULATOR. CONTROL BRACKET	2147164
33	BRACKET, CONTROL	2147163
34	Light Bulb - 10W	WP22002263
35	SCREW	489362
36	SCREW, 4-40 X 9/16 (6)	489155
37	Micro Switch Kit	814037

Guía	Descripción	Número
38	Water Dispenser Arm - White	WP2177149
39	OVERLAY	2162923
40	COVER-FRNT	2150311
41	SHIELD	1121404
42	BRACKET-WATER	987049
43	SCREW, 8-18 X 3/4	681391
44	HARNS-WIRE	2147166
45	Screw	WP3400906

## FREEZER DOOR PARTS

For Model: 8ED25DQXXN00  
(Almond)



FOR ORDERING INFORMATION REFER TO PARTS PRICE LIST

4361069

12

© 2008 Denek S.A. All Rights Reserved

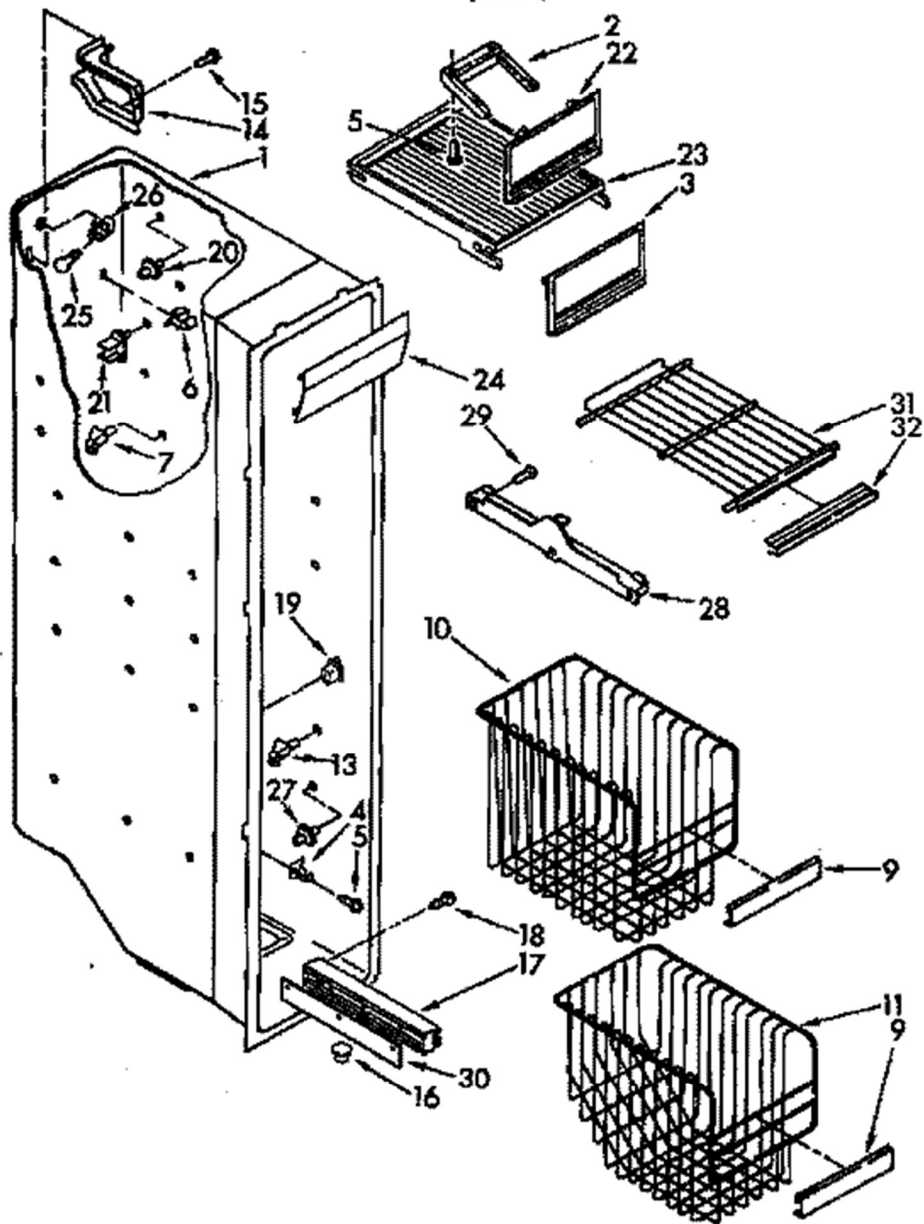
© 2008 Denek S.A. All Rights Reserved

Guía	Descripción	Número
1	Almond (Also Order Item 11)	1110655
2	PLATE, TAP	992245
3	USE WPL 1119757	1118417
4	SEAL-PIN	939886
5	ENDCAP-HDL	1119359
6	Screw	WPW10141645
7	SHIM	935075
8	USE WPL 1123293	1114380
9	SHELF-CANT	1124854
10	Freezer Door Gasket	2188434A
11	INSULATION	876029
12	TWO HOLE	941242
13	DISCONTINUED	4317821
14	TRIM-DOOR	1127144
15	Screw	WPW10141645
16	TRIM-DOOR	1114376
17	PLUG-CROSS	1119212
18	Receptacle Connector	936183
19	Screw	WP488234
20	TUBE-DOOR	2196117
21	WIRE, CONNECTOR	227991
22	INSULATION, DISPENSER	1119038
23	CHUTE, ICE	1119036
24	WHITE, F/106.8609610, 106.8609690	534927
25	USE WPL 2196117	2147080
26	Hinge Shim	WP1104787
27	Hinge Shim	WP1104787
28	Single Hex Head Screw	WP489069
29	Door Stop Bracket	WP2195950
30	Door Stop Shim	988421
31	Single Hex Head Screw	WP489069
32	RETAINER	941262
33	INSERT-HDL	1119363
34	INSERT-HDL	1119375
35	RETAINER	2194770
36	ENDCAP-HDL	2156220
37	SCREW	489090

Guía	Descripción	Número
38	TRIM-DOOR	1119062
39	ENDCAP-TRM	1115333
40	ENDCAP-TRM	1115364
41	Overlay	1124853
42	PIN-PLATE	W10851606
43	SCREW	4387279
44	Screw Plate	WP939101
45	SUPPORT	1115378
46	RETAINER, GASKET TOP & BOTTOM (2)	1118306
47	RETAINER, GASKET SIDE (2)	1118302

## FREEZER LINER PARTS

For Model: 8ED25DQXXN00  
(Almond)



FOR ORDERING INFORMATION REFER TO PARTS PRICE LIST

4361069

6

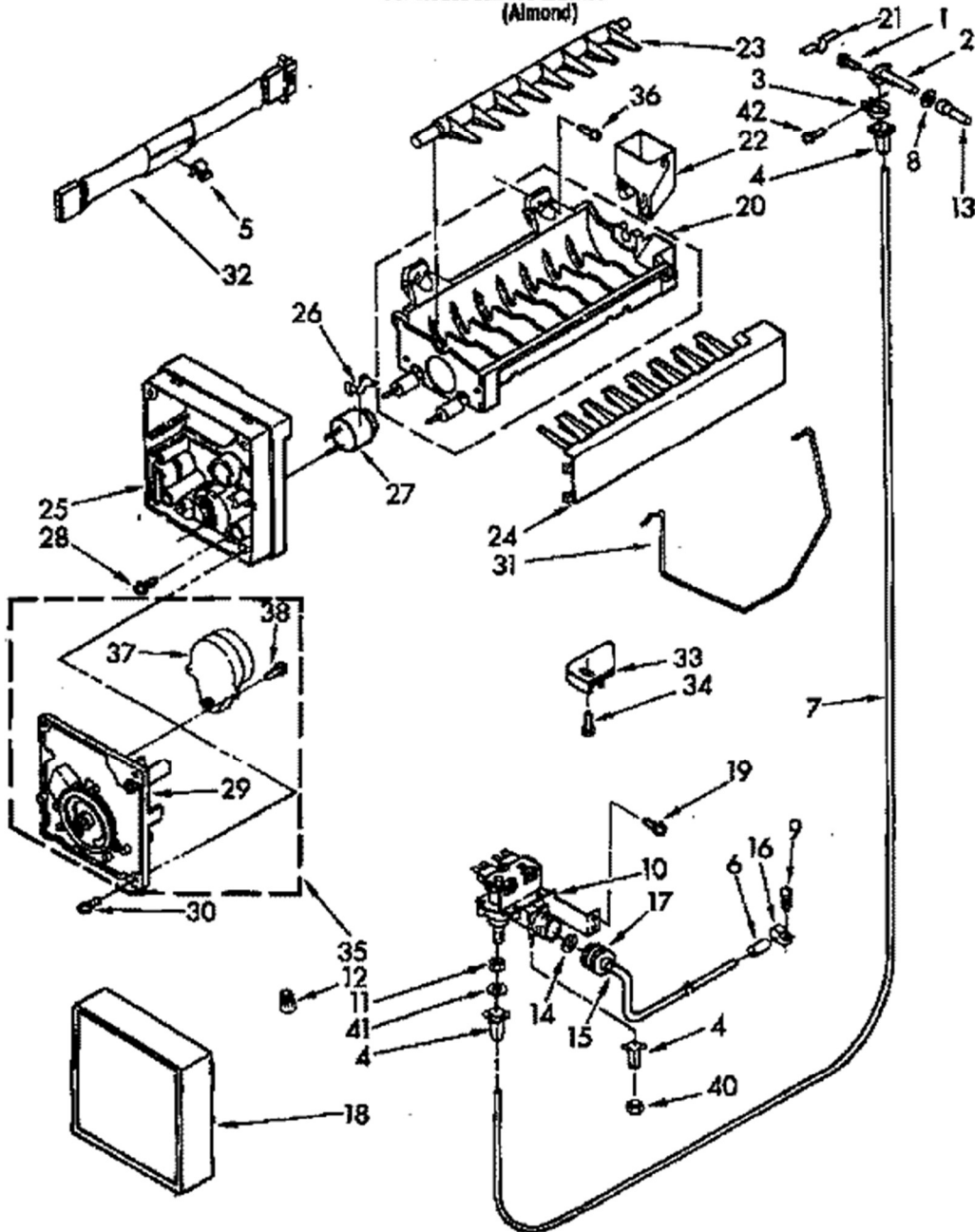
www.denek.com

www.denek.com

Guía	Descripción	Número
1	Hood, Canopy Non-serviceable	N/A
2	Ice Door Slide	1115380
3	Ice Compartment Door - White	2163423
4	SUPPORT-EV	1108436
5	Screw	WP489478
6	CLIP	2215823
7	Shelf Stud - White	4388405
9	TRIM-BASKT	2179512
10	BASKET, TOLL	2152096
11	BASKET-FZR	2152090
13	STUD-SHELF	W11581579
14	WIRING COVER	1114607
15	Screw	WP488729
16	Fitting, Drain	942768
17	TRACK	1126354
17	TRACK	1126355
18	8-18 X .625 TR CR AB	W11693756
19	SWITCH	W11457217
20	Shelf Support Stud - White	4388538
21	USE WPL 4388537	1115386
22	DOOR-ICE	2174343
23	Shelf	WP2194297K
24	LIGHT LENS	1115389
25	Light Bulb - 40W	8009
26	Light Socket Kit	4387478
27	STUD-SHELF	W11581579
28	TRACK	W10845583
28	TRACK	W10845585
29	SCREW	718257
30	SHIM-SLIDE	1129195
31	SHELF-WIRE	1116956
32	TRIM-SHELF	1120547

## ICEMAKER PARTS

For Model 8ED25DQXXN00  
(Almond)



FOR ORDERING INFORMATION REFER TO PARTS PRICE LIST

4361069

20

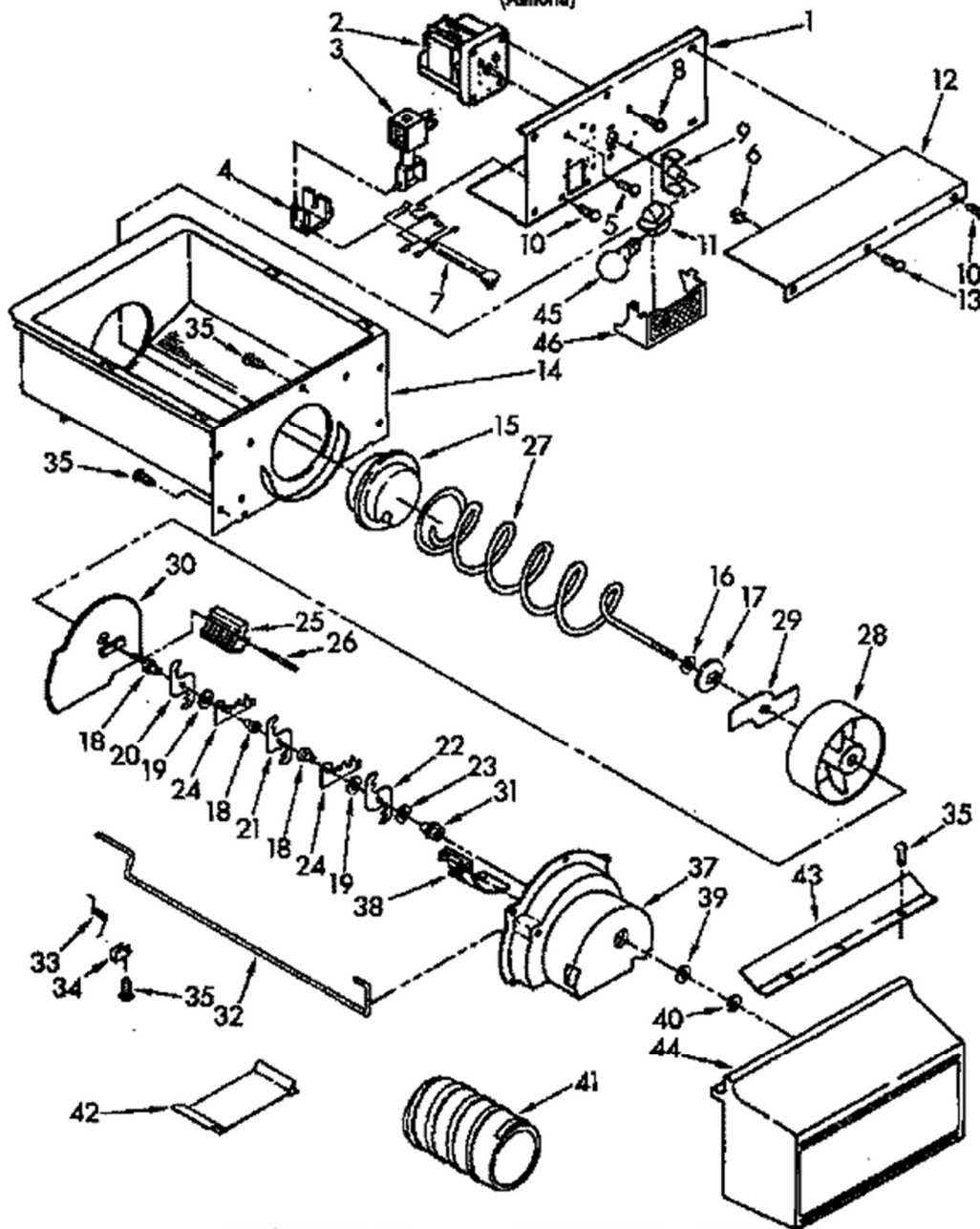


Guía	Descripción	Número
1	Screw	WPW10141645
2	Ice Maker Water Fill Tube Kit	WP2196157
3	Water Hose Clamp	WP488878
4	Plastic Tubing Inserts - 4 Included	4387491
5	Clip, Fuse	WP628379
6	Compressor Dampener	WP2158826
7	Water Tube Kit	W10823511
8	Ice Maker Fill Tube Gasket	WP1106508
9	Screw	WP489478
10	Cork Sealer (1/4 Pound)	WP503695
10	Sealer, Mastic (1 Qt.)	WP505587
10	Refrigerator Grease	WP542638
10	Replacement Ice Maker	4317943
11	Compression Nut	WP627018
12	WIRE, CONNECTOR	227991
13	Icemaker Fill Tube Extension Kit	4378431
14	Water Inlet Hose Washer	WP16123
15	Icemaker Water Inlet Valve Kit - Hose Thread to 1/4" Copper	480389
16	CLAMP	510716
17	Valve Nut	537588
18	COVER-FRNT	628355
19	Screw	WPW10141625
20	Ice Mold	WPW10190929
21	L.H.	836676
22	Water Fill Cup and Bearing	WP628356
23	Ejector Arm	WP627843
24	Ice Stripper	WP2182124
25	Motor Housing	WP2195914
26	Retainer, Thermostat	WP2315522
27	Cycling thermostat	WP627985
28	SCREW	8533917
29	Icemaker Control Assembly	W10190935
30	Screw	WP681249
31	ARM-SHUT	W11342242
32	Ice Maker Wire Harness	WP2187464
33	BRACKET	W11500948
34	SCREW, 8-32 X 27/64	489365
35	Icemaker Control Assembly	W10190935

<b>Guía</b>	<b>Descripción</b>	<b>Número</b>
36	Screw - 8-32 X 1-1/4	WP488163
37	Icemaker Control Assembly	W10190935
38	SCREW	489136
40	Nut Assembly	4318011
41	SEAL, O-RING	488794
42	SEAL, 'O' RING	488819

## MOTOR AND ICE CONTAINER PARTS

For Model: 8ED25DQXXN00  
(Almond)



FOR ORDERING INFORMATION REFER TO PARTS PRICE LIST

4361069

8

Denek Refrigerators and Freezers

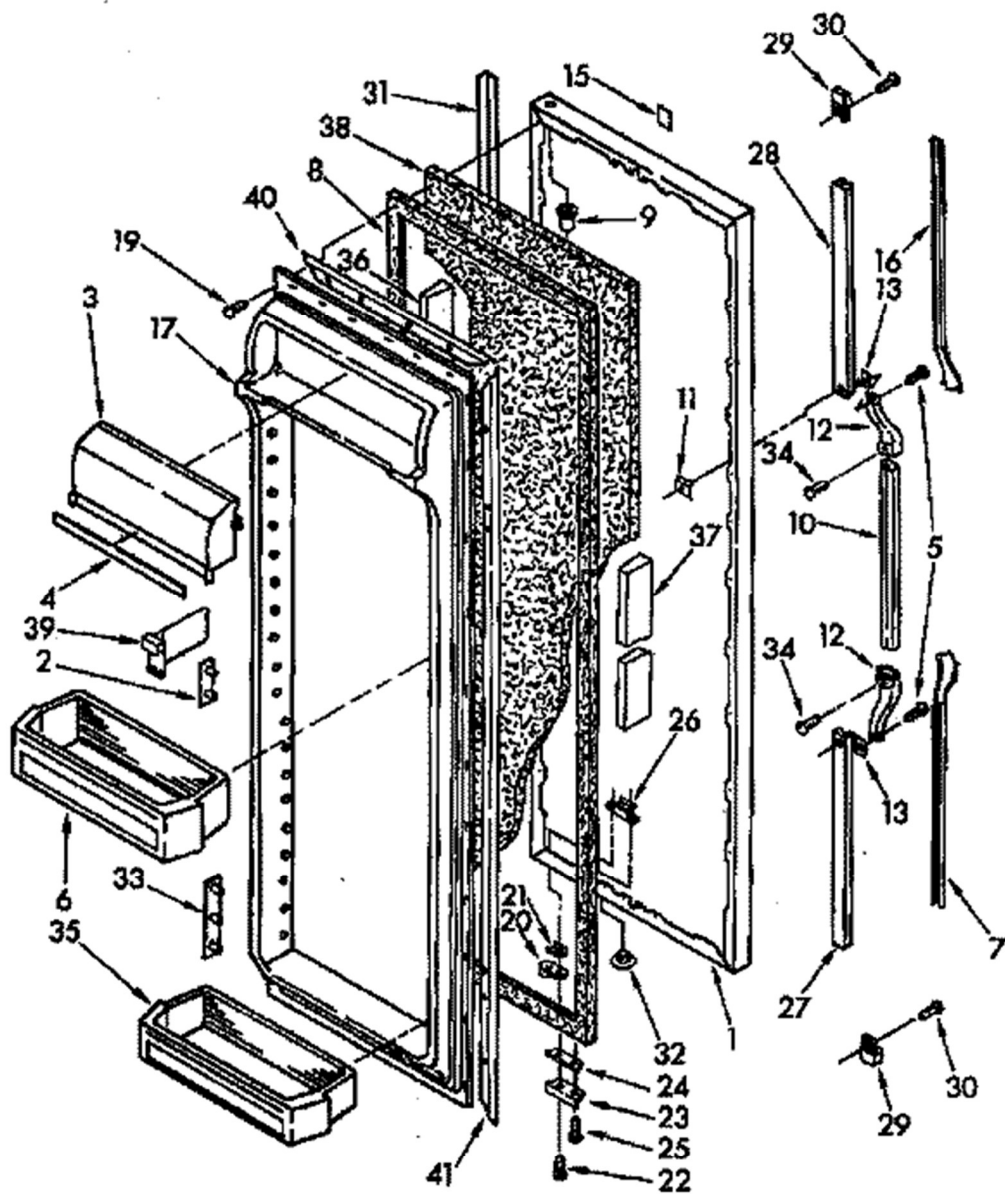
Copyright © 2000 by Whirlpool Corporation. All rights reserved. No part of this document may be reproduced without written permission from Whirlpool Corporation.

Guía	Descripción	Número
1	Bracket	WPW10284485
2	Ice Dispenser Kit Motor - 120V 60Hz	WP2188242
3	Soleniod Assembly	WP2152713
4	GUIDE	W10850503
5	Screw (2)	487523
6	Clip, Wiring	WP1115374
7	WIRING ASSEMBLY, ICE DISPENSER	2149943
8	SCREW	303776
9	Ice Dispenser Motor Coupling	WPW10169511
10	Screw	WP489478
11	Light Socket Kit	4387478
12	Bracket	WPW10284485
13	Screw	WP489128
14	Ice Bucket	WPW10670845
15	COUPLING	W10749708
16	STOP-CONE	1118480
17	FEEDER, CONE	1119074
18	Spacer, Step	WP1119005
19	Single Flat Spacer	WP1119007
20	BLADE	W10278731
21	Rotary Blade	W10278732
22	BLADE	W10278733
23	Washer, Plain	WP489235
24	BLADE	1119009
25	Block Blade	2157405
26	PIN-ROLL	489229
27	Ice Auger Kit	W10422851
28	Ice Bin Auger Drum	4388736
29	Ice Bin Auger Drum	4388736
30	Floating Baffle	W10852691
31	Nut, Bearing	WP1119018
32	CONTROL ARM	1119019
33	SPRING	1119020
34	CLIP	1119021
35	Transformer Screw	WP488787
37	Refrigerator Ice Crusher Housing	WPW10185018

Guía	Descripción	Número
38	Deflector, Ice	WP1119017
39	WASHER	489234
40	Retainer Ring	WP489236
41	Sleeve Kit	4317870
42	DISCONTINUED	4317811
43	ICE DEFLECTOR	1119043
44	FRONT COVER, ICE CONTAINER	2147510
45	Light Bulb - 40W	8009
46	Light Bulb Lens Cover - White	983359

## REFRIGERATOR DOOR PARTS

For Model: 8ED25DQXXN00  
(Almond)



FOR ORDERING INFORMATION REFER TO PARTS PRICE LIST

4361069

10

For more Model, visit  
www.denek.com

© 2010 Denek S.p.A. All Rights Reserved

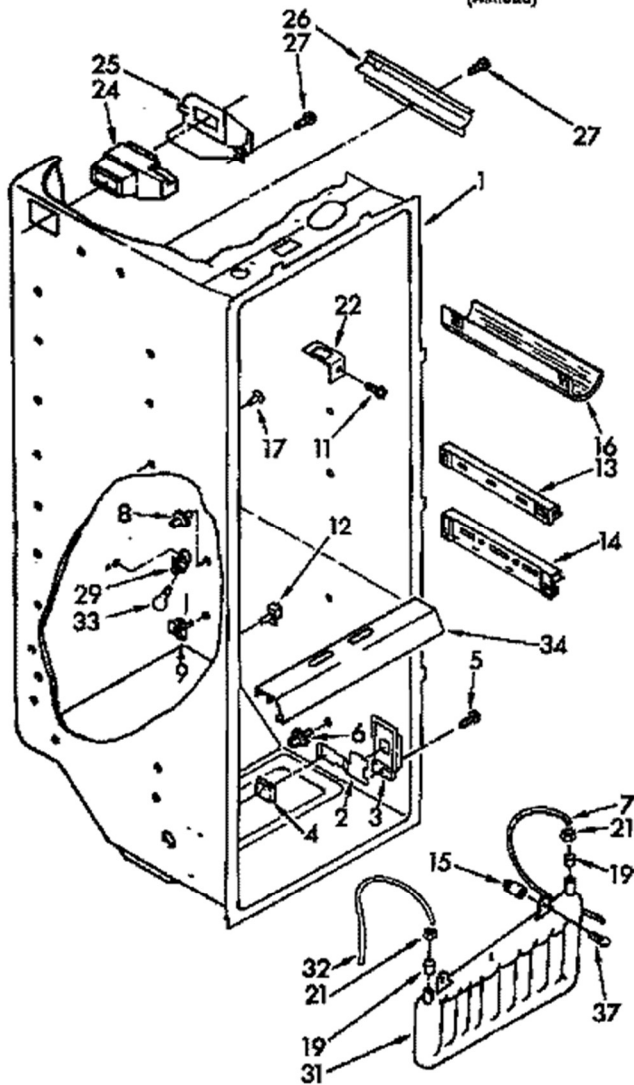
BENITO JUÁREZ #1500 GPE ZITON, CD. GUADALUPE NUEVO LEÓN TEL: 8183377999 Y 49  
HORARIOS: LUNES A VIERNES 8:30 A 6:00 PM Y SÁBADOS DE 8:30 A 2:00 PM

[www.denek.com](http://www.denek.com)

Guía	Descripción	Número
1	Refrigerator Door Panel (Almond)	1110645
2	Door Bin Pin Plate	2196166
3	USE WPL 2148289	2148702
4	TRIM-DOOR	1106959
5	Screw	WPW10141645
6	Cantilever Bin	WP1124846
7	INSERT-HDL	1119363
8	Fresh Food Door Gasket	2188433A
9	SLEEVE, HINGE	509929
10	USE WPL 1119757	1118417
11	TWO HOLE	941242
12	ENDCAP-HDL	1119359
13	SHIM	935075
15	USE WPL 978601	991259
16	INSERT-HDL	1119375
17	PANEL-INT	1124842
19	Single Hex Head Screw	WP489069
20	Door Closing Cam Kit	4318165
21	Hinge Shim	WP1104787
22	Single Hex Head Screw	WP489069
23	Door Stop Bracket	WP2195950
24	Door Stop Shim	988421
25	Single Hex Head Screw	WP489069
26	PLATE, TAP	992245
27	RETAINER	941262
28	RETAINER	2194770
29	ENDCAP-HDL	2156220
30	SCREW	489090
31	TRIM-DOOR	1119062
32	WHITE, F/106.8609610, 106.8609690	534927
33	PIN-PLATE	W10851606
34	SCREW	4387279
35	USE WPL 2177883	1121335
36	SUPPORT	1115379
37	SUPPORT	1119055
38	INSULATION	876029
39	DIVIDER	2195498
40	RETAINER	1118301
41	TRIM-DOOR	4318791

## REFRIGERATOR LINER PARTS

For Model: 8ED25DQXXN00  
(Almond)



FOR ORDERING INFORMATION REFER TO PARTS PRICE LIST

4361069

4

Copyright © 2004 Denek S.A. de C.V. All Rights Reserved.

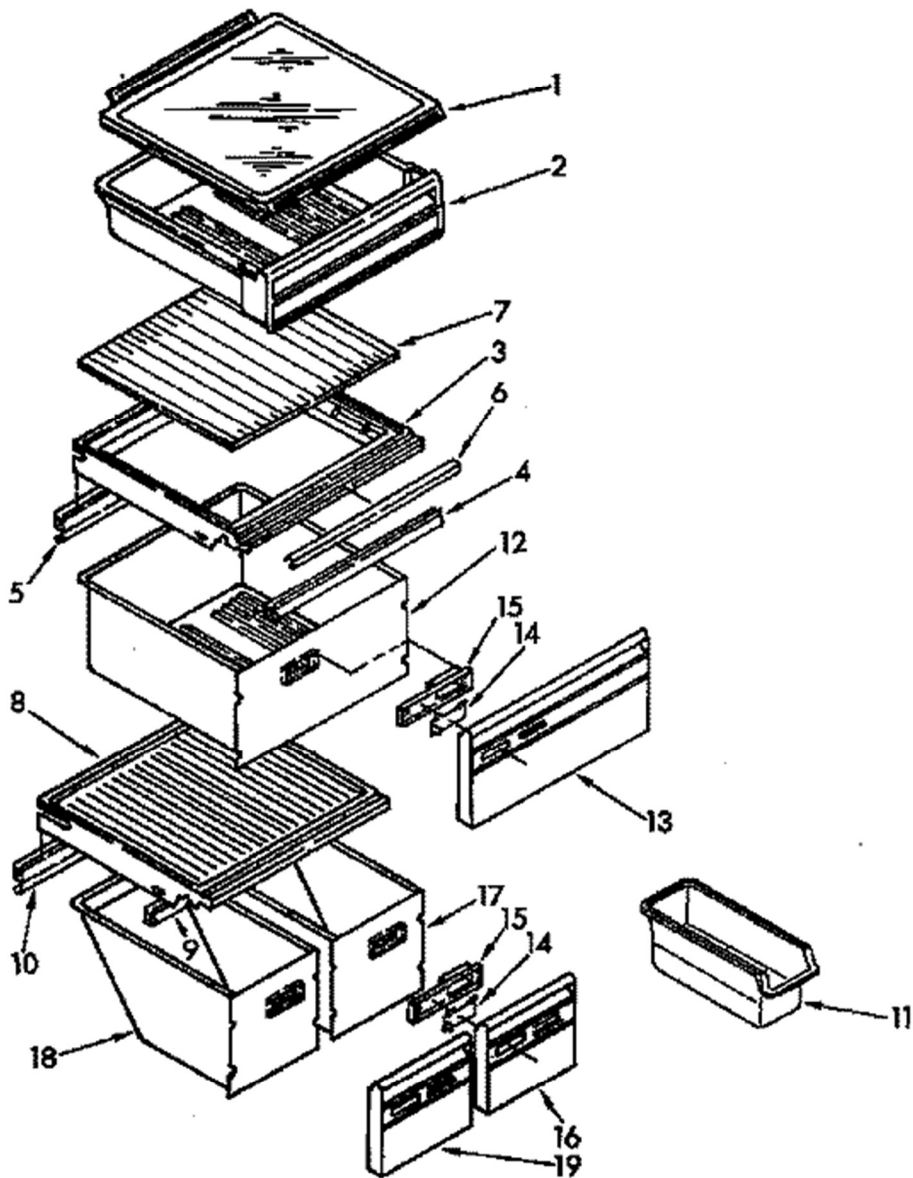
Copyright © 2004 Denek S.A. de C.V. All Rights Reserved.



Guía	Descripción	Número
1	Hood, Canopy Non-serviceable	N/A
2	USE WPL 1116612	985468
3	Cold Control Slide	984102
4	Slide Pad	992358
5	SCREW,8-15 X 1/2	486214
6	Shelf Support Stud	WP2149540
7	Water Tube Kit	W10823511
8	Shelf Support Stud - White	4388538
9	Shelf Support Stud	WP1115290
11	Screw	WP488488
12	Shelf Support Stud - White	4388538
13	Drawer Rail - Right Side	WP1114632
13	Drawer Rail - Left Side	WP1114633
14	Shelf Track - Left Side	WP1115265
14	Shelf Track - Right Side	W10853640
15	STUD, SPACER (2)	1115399
16	RACK-WINE	1115261
17	Shelf Support Stud	WP1114631
19	Insert	WP1129177
21	Nut Assembly	4318011
22	Bracket Retainer	WP2256085
24	Air Diffuser Assembly	WPW10151374
25	COVER	2152019
26	COVER-WIRE	2150331
27	SCREW	W10759522
29	Light Socket Kit	4387478
31	Water Dispenser Reservoir Tubing	WP2256126
32	WATER TUBE	1129176
33	Light Bulb - 40W	8009
34	LIGHT LENS	2169504
37	SCREW	798639

## REFRIGERATOR SHELF PARTS

For Model: 8ED25DQXXN00  
(Almond)



FOR ORDERING INFORMATION REFER TO PARTS PRICE LIST

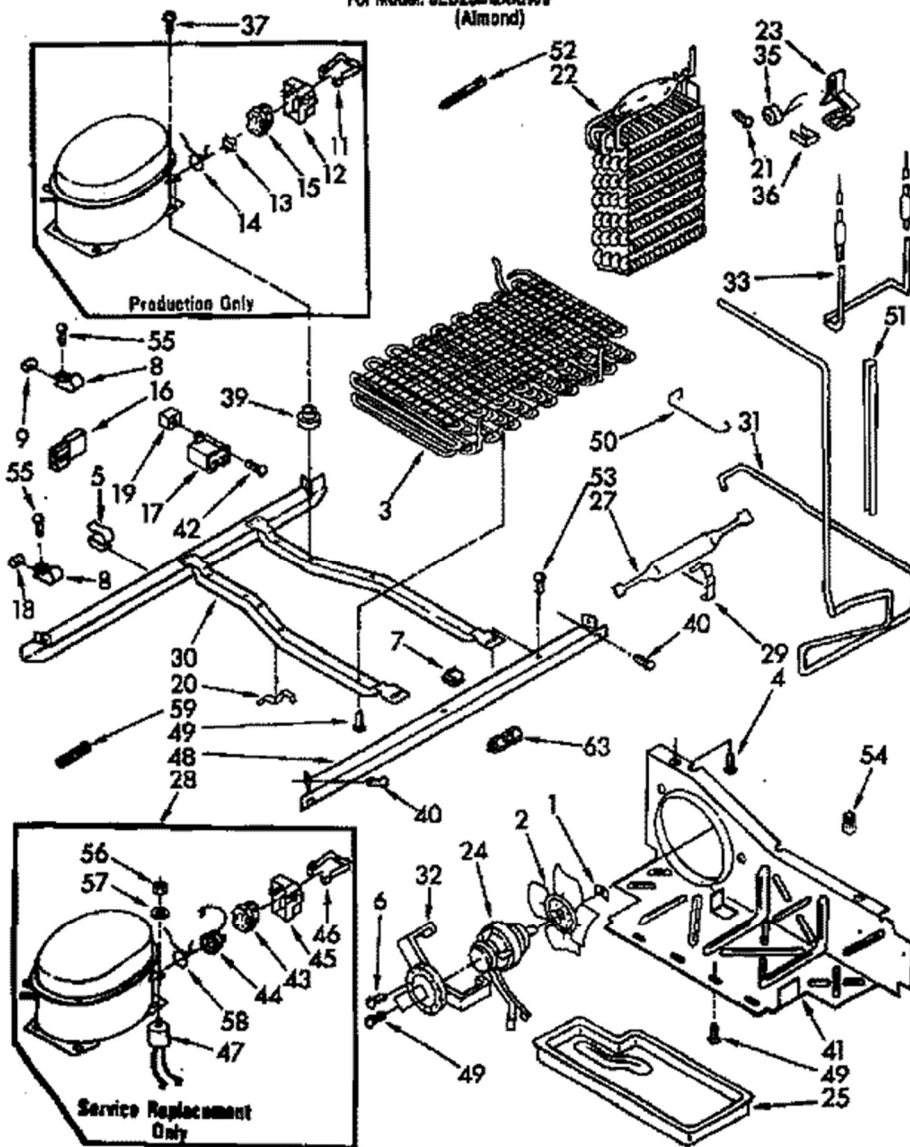
5

4361069

Guía	Descripción	Número
1	USE WPL 2162991	1127158
2	PAN-SNACK	1115262
3	Crisper Cover Frame - NO Glass	WP1126289
4	Crisper Shelf Front Gasket	1115291
5	Rear Crisper Drawer Gasket	1121385
6	TRIM-COVER	1110795
7	Crisper Drawer Glass Cover	WP1114687
8	USE WPL 1124812	1118198
9	Crisper Shelf Front Gasket	1115291
10	Gasket (Front)	1121384
11	Ice Cube Container	WP982704
12	Crisper Pan	WP2148279
13	COVER	1126290
14	SLIDE	1124819
15	HOUSING	1124820
16	COVER	1114693
17	PAN-MEAT	1114690
18	PAN-MEAT	1114691
19	COVER	1114694

## UNIT PARTS

For Model: 8ED25DQXXN00  
(Almond)



FOR ORDERING INFORMATION REFER TO PARTS PRICE LIST

4361069

16

Guía	Descripción	Número
1	Speed Nut	WP486692
2	Condenser Fan Blade	WP1108179
3	CONDENSER ASSEMBLY	1105640
4	SCREW	4159456
5	XLIP, WIRE	548745
6	SCREW	681390
7	CLIP	2200079
8	CLAMP	510716
9	DAMPENER	1108064
11	RETAINER	943322
12	Terminal Cover	1105055
13	OVERLOAD	819160
14	SPRING-OVR	943320
15	Relay	101014
16	RECEPTACLE HOUSING	1118850
17	Capacitor	WPW10662129
18	Compressor Dampener	WP2158826
19	USE WPL 937252	509812
20	STRAP	548744
21	Screw	WP489478
22	EVAPORATOR	1110668
23	CLAMP-DEFROST HEATER	1108431
24	Condenser Fan Motor Kit	833697
25	Evaporator Tray	1110674
27	Filter Drier Tube	W10843121
28	Compressor	W10619807
29	DRIER CLAMP	1127590
30	Unit Mounting Frame	2304904
31	EXHANGER, HEAT	1114662
32	STRAP	548695
33	HEATER, DEFROST	2154543
35	Bi-Metal Defrost Thermostat	WP4387499
36	USE WPL 547811	513584
37	GROMMET	876811
39	GROMMET	876811
40	SCREW	489340
41	BAFFLE-AIR	W10896764

<b>Guía</b>	<b>Descripción</b>	<b>Número</b>
42	8-18 X .625 TR CR AB	W11693756
43	Start Relay Combination	WP2262181
44	OVERLOAD	819160
45	TERMINAL COVER FOR SERVICE COMPRESSOR ONLY	1108115
46	TERMINAL STRAP	938384
47	DISCONTINUED	483059
48	Unit Mounting Rail	2305374
49	SCREW	4159456
50	GUARD-FAN	1110663
51	Sleeve	WP2002171
52	USE WPL W10339879	851095
53	Screw	WP489427
54	WIRE, CONNECTOR	227991
55	Screw	WPW10141625
56	Nut (Used W/Sevice Compressor)	489142
57	WASHER (USED W/SERVICE COMPRESSOR)	489143
58	SPRING-OVR	1114190
59	TUBE, SPRING FORMING	983659
63	Valve, Access (1/4`)	WP978025
63	Access Valve - 5/8 Inch	978029
63	VALVE	978030