

EXPLOSIONADO DE PARTES



REFRIGERADORES

Modelo:

8WRT16YKDSR00

Distribuidor Autorizado

SurteRápido.com

Venta de Refacciones
Electrodomesticas

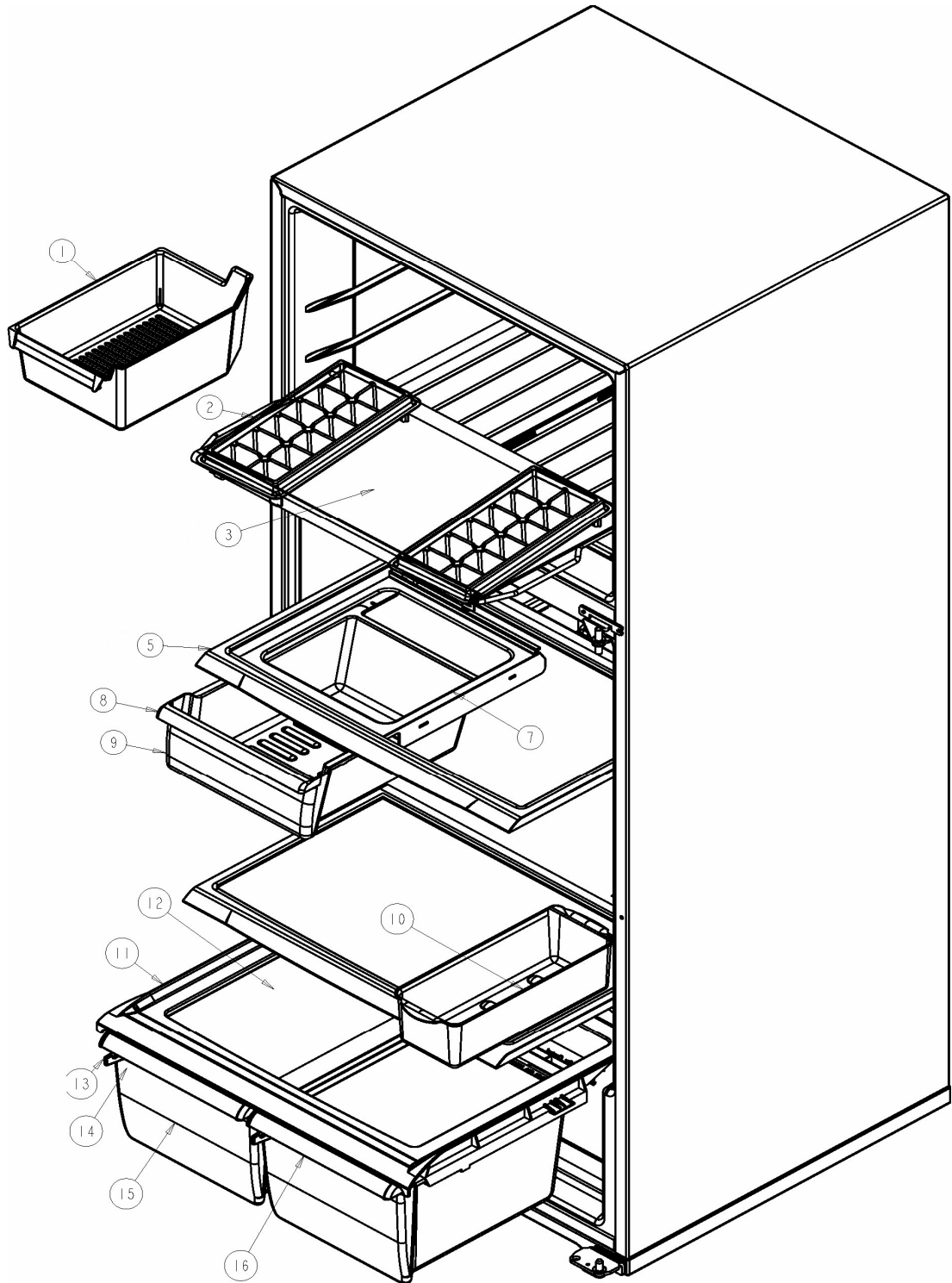
REFRIGERADOR 8WRT16YKDSR00

nd
Capacity
Color

Whirlpool
16 pies

Universal Silver

Parrillas / Cajones



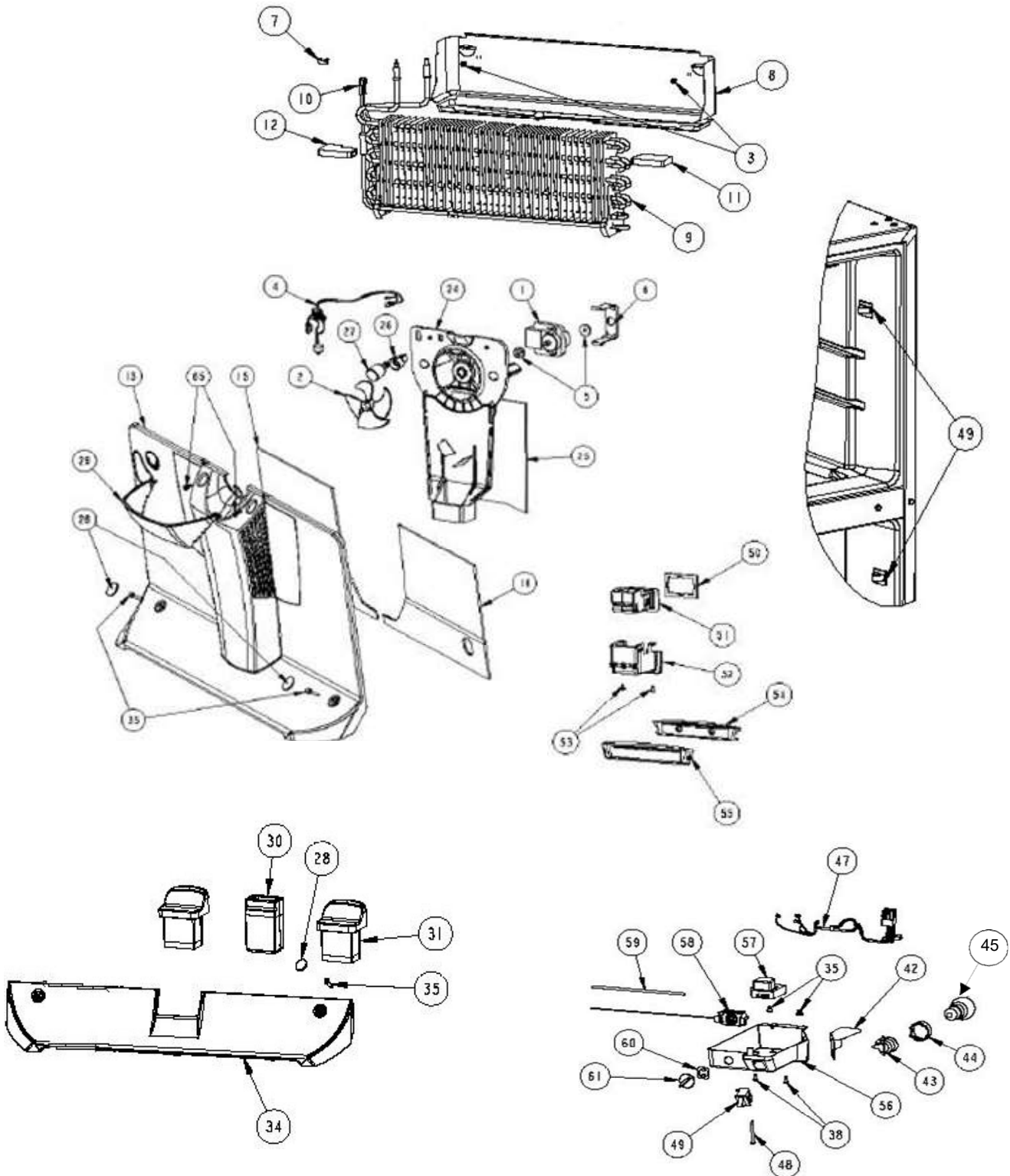
REFRIGERADOR 8WRT16YKDSR00

Marca		Whirlpool	
Capacidad		16 pies	
Color		Universal Silver	
Parrillas / Cajones			
R e f	Descripción	C a n t	Numero de Parte
1	DRAWER FOR ICE CUBES	**	***
2	TRAY ICE	2	2265715
3	SHELF ASSY	1	2264804
✓	TRAY ICE SUPPORT	1	2264924
5	SHELF-SLIDE ASSY	2	2265764
7	HOLDER-MEAT PAN	**	***
8	TRIM-MEAT PAN	**	***
9	MEAT PAN ASSY	**	***
10	EGG-RACK	**	***
11	CRISPER COVER	**	***
12	GLASS,CRISPER COVER	1	2265802
13	BODY-HUMIDITY CONTROL	1	2212446
14	SLIDE-HUMIDITY	1	2176222
15	CRISPER PAN ASSY	2	2256704
✓	CRISPER PAN ASSY & HUMIDITY CONTROL	2	2265813
16	TRIM-CRISPER PAN	1	2265758

REFRIGERADOR 8WRT16YKDSR00

nd	Whirlpool
capacidad	16 pies
Color	Universal Silver

Sistema de aire / Caja control



REFRIGERADOR 8WRT16YKDSR00

nd		Whirlpool	
Capacity		16 pies	
Color		Universal Silver	
Sistema de aire / Caja control			
R e f	Descripción	C a n t	Numero de Parte
1	FAN MOTOR	1	2201212
2	BLADE-FAN EVAPORATOR	1	2169142
2.1	GROMMET-FAN	2	2264462
6	RETAINER-FAN MOTOR	1	2197405
3	SCREW	2	489442
4	WIRE ASSY-FC	1	2192096
8	HEAT SHIELD-EVAP	1	2264762
9	EVAPORATOR ASSY	1	2263920
10	HEATER-DEFROST	1	2176942
13	COVER, EVAP ASSY	1	2264669
15	FOIL-BACKED TAPE,LEFT	1	2262191
16	FOIL-BACKED TAPE,RIGHT	1	2262192
26	LAMPHOLDER INVENSYS E14	1	2263413
27	LAMPARA CONDOR PHILIPS	1	R-31244
29	LIGHT COVER FC	1	2263272
30	AIR DUCT ASSY	1	2252831
31	HOOD & FOIL ASSY	2	2316186
34	COVER-AIR RETURN, F.C.	1	2261978
35	SCREW	2	2262178
42	COVER LIGTH	1	9791702
43	SOCKET-LIGHT	1	2162085-M
44	SHROUD-LIGHT SOCKET	1	2169193-M
45	CONTROL NUMBER-LIGHT BULB	1	2252970
47	WIRE ASSY-CONTROL BOX	1	2265965
48	SCREW	1	489174
49	SWITCH LIGTH	1	999335
50	GASKET-BODY AIR DIFFUSER	1	2252846
51	BODY-AIR DIFF ASSY	1	2252834
52	COVER-AIR DIFFUSER	1	2252837
53	RIVET-COVER AIR DIFF	2	2256983
54	GRILL	4	2265811
55	INSUL-GRILL	4	2256958
56	CONTROL BOX DEFROST MEC.	1	2266382
57	DEFROST TIMER	1	2188371
58	THERMOSTAT	1	2183403

Distribuidor Autorizado

SurteRápido.com

Venta de Refacciones
Electrodomesticas



REFRIGERADOR 8WRT16YKDSR00

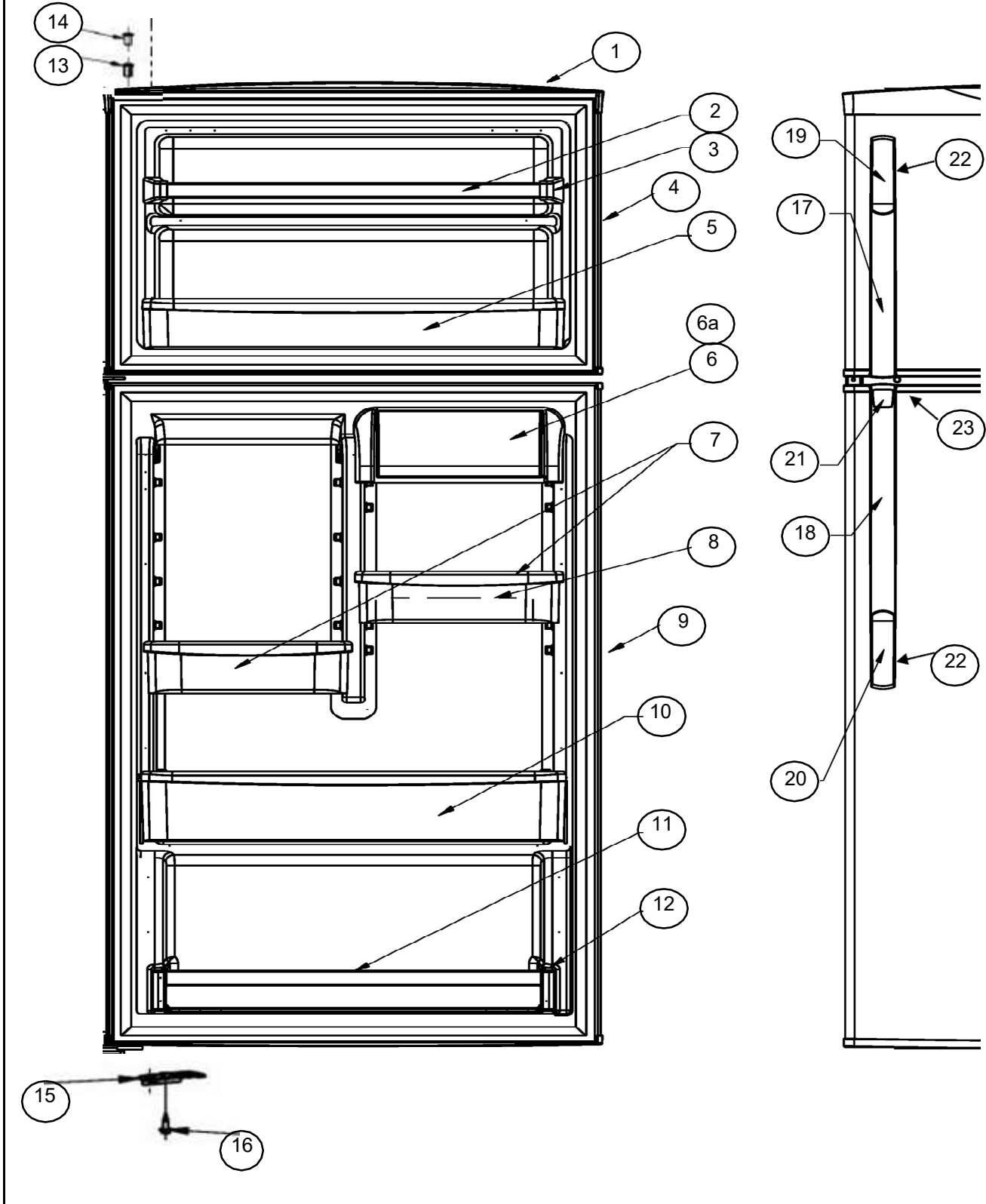
Marca		Whirlpool	
Capacidad		16 pies	
Color		Universal Silver	
Sistema de aire / Caja control			
Ref	Descripción	Cant	Numero de Parte
56	CONTROL BOX MEC.	1	2265964
59	RETAINER THERMOSTAT	1	1118680
60	CONTROL KNOB RETAINER	1	2165773
61	CONTROL KNOB	1	2202885

REFRIGERADOR 8WRT16YKDSR00

Modelo
Capacidad
Color

Whirlpool
16 pies
Universal Silver

Puertas



REFRIGERADOR 8WRT16YKDSR00

Modelo		Whirlpool	
Capacidad		16 pies	
Color		Universal Silver	
Puertas			
R e f	Descripción	C a n t	Numero de Parte
1	NAMEPLATE WHIRLPOOL	1	2255121
2	TRIM	**	***
3	RETAINER	**	***
4	DOOR ASSY-FIP RC	1	2264925D
5	COLLAR & TRIVET FC ASSY	2	2266061
6	UTILITY COMPARTMENT	1	2266057
6a	UTILITY COVER	1	2265756
7	COLLAR & BIN MOVABLE ASSY	2	2265757
8	EGG-RACK	1	2265800
9	DOOR ASSY-FIP,FC	1	2264927D
10	COLLAR & TRIVET RC ASSY	1	2266059
11	TRIM-SHELF DOOR	1	2265734
12	PLUG-TRIM	2	2156007
13	SLEEVE HINGE PIVOT	2	2179167
14	HOLE PLUG	3	941839
15	BRACKET-DOOR STOP	1	2189202
16	SCREW	2	8533904
17	HANDLE FC	1	2265619B
18	HANDLE RC-VERNE	1	2265622B
19	HANDLE FC-COVER	1	2265620C
20	HANDLE RC-COVER	1	2265623C
21	NAMEPLATE-HANDLE WHIRLPOOL	1	2266393
22	8-18 X .625 TR CR AB LSER	4	W10002730
23	END CAP	4	W10000090



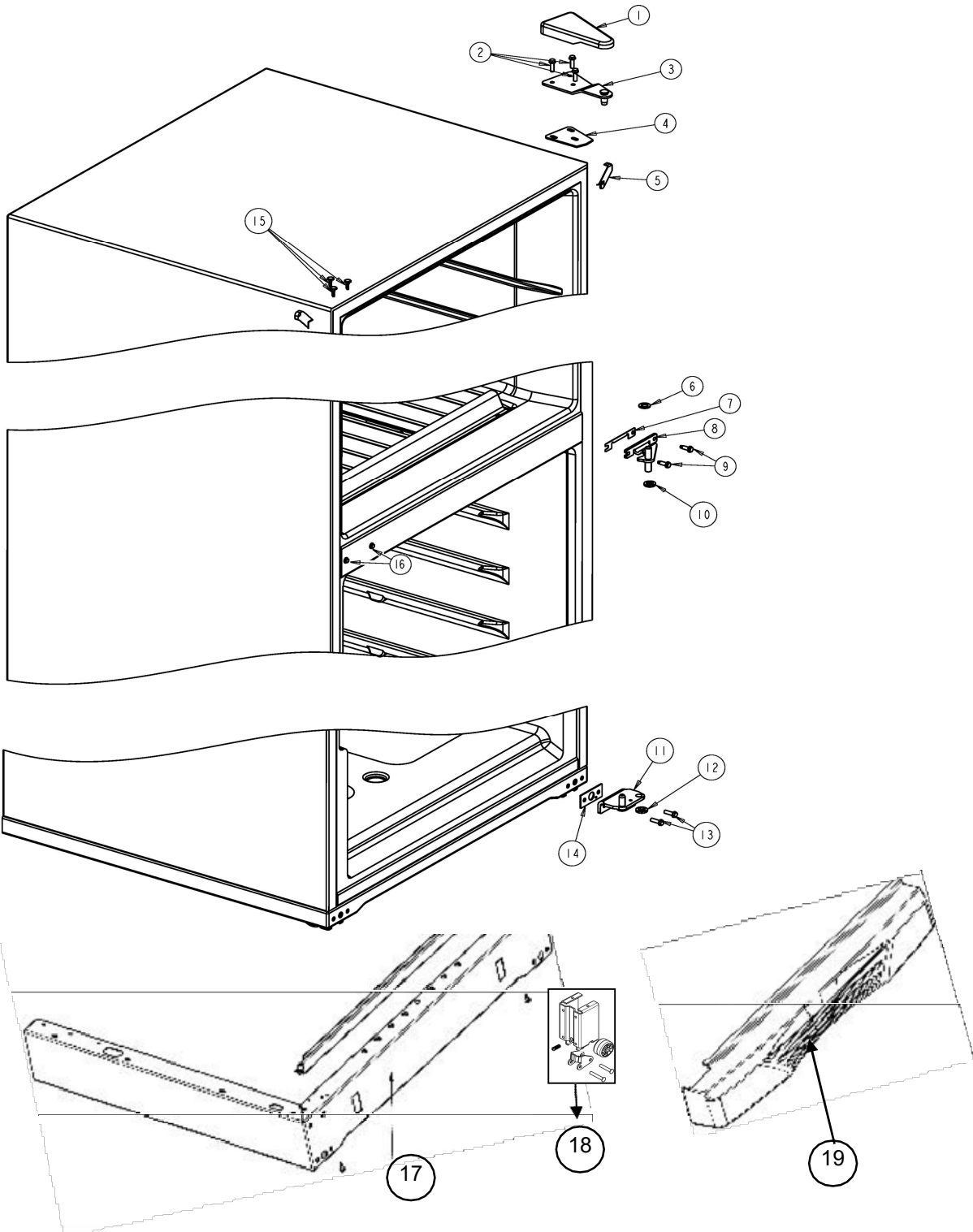
REFRIGERADOR 8WRT16YKDSR00

nd
Capacity
Color

Whirlpool
16 pies

Universal Silver

Gabinete



REFRIGERADOR 8WRT16YKDSR00

nd		Whirlpool	
Capacity		16 pies	
Color		Universal Silver	
Gabinete			
R e f	Descripción	C a n t	Numero de Parte
1	COVER-HINGE	1	2213363
2	SCREW	1	489497
3	HINGE BUTT ASSY	1	2261963
4	SHIM-HINGE	1	2222288
5	CORNER FILLER	2	2215384
6	WASHER-PLAIN	1	489341
7	SHIM-HINGE BUTT-CENTER	1	2215385
8	HINGE ASSY-CENTER	1	2166086
9	SCREW	1	489497
10	.419ID .719OD .062TK FLW NYLON	3	487576
11	LOWER HINGE ASSY	1	2221927
12	.419ID .719OD .062TK FLW NYLON	1	487576
13	SCREW	2	489497
14	SHIM	1	2201567
15	HOLE PLUG	3	941839
16	DOME CAP	2	2261848B
17	BASE SUB ASSY	1	2264956B
18	ADJUSTABLE ROLLER ASSY	2	2264963
19	GRILL-VERNE	1	2266708B

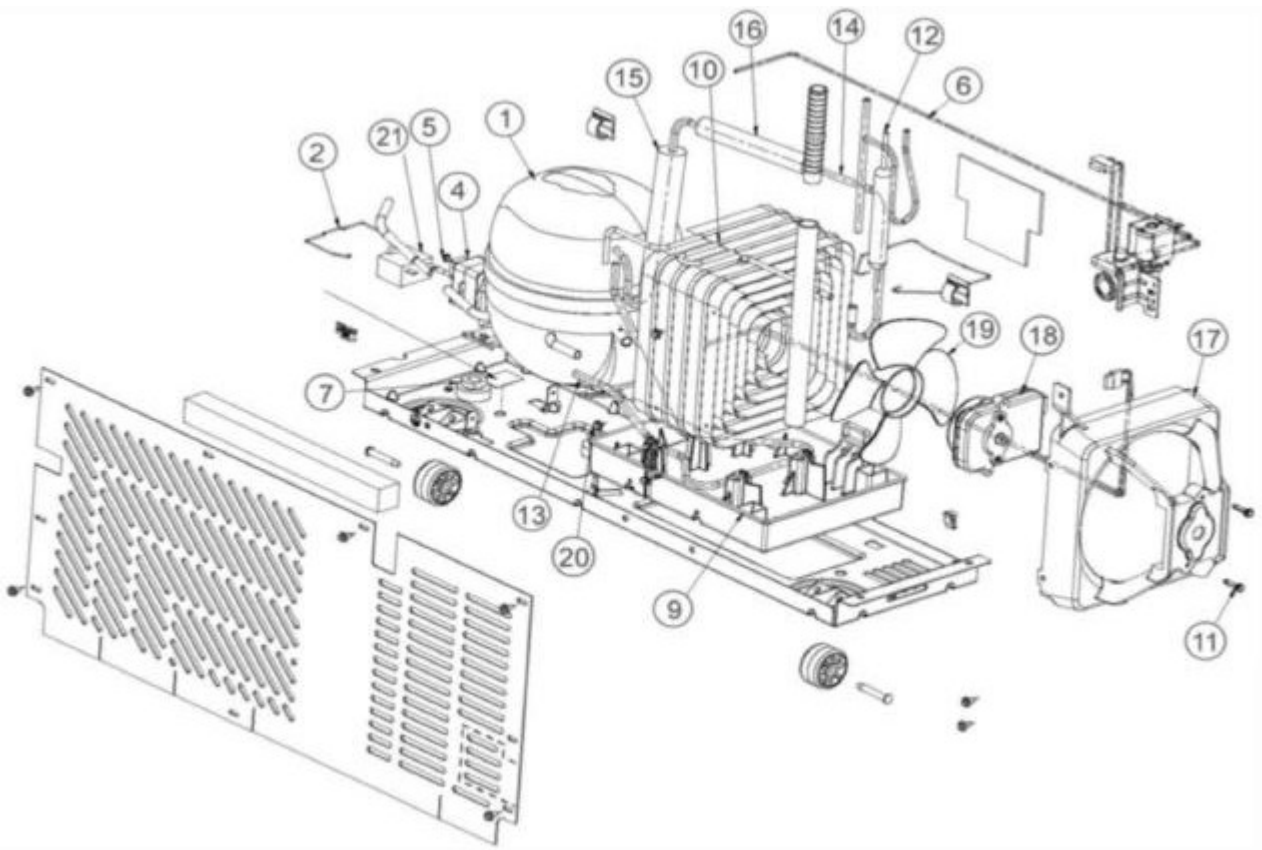
REFRIGERADOR 8WRT16YKDSR00

nd
Capacity
Color

Whirlpool
16 pies

Universal Silver

Sistema Sellado



Distribuidor Autorizado

SurteRápido.com

Venta de Refacciones
Electrodomesticas

REFRIGERADOR 8WRT16YKDSR00

Brand		Whirlpool	
Capacity		16 pies	
Color		Universal Silver	
Sistema Sellado			
R e f	Descripción	C a n t	Numero de Parte
1	COMPRESOR	1	2217634
2	BALE STRAP	1	2212996
3	CAPACITOR	1	2264017
4	COMBO DIVICE	1	2225929
5	SNAP-RIVET COMBO	1	2264516
6	WIRE ASSY-UNIT	1	2320723
7	GROMMET-COMPRESOR	4	2264447
8	COTTER PIN	4	24364001
9	WATER EVAPORATOR TRAY	1	2263928
10	COMPACT CONDENSER	1	2264004
11	SCREW 7.18 x .750 MHW PTT LSER	3	8533859
12	DRIER ASSEMBLY	1	2320731
13	TUBE DISCHARGE FLAT	1	2316179
14	EXTENSION TUBE-HEAT	1	2264131
15	SLEEVE	1	2161302
16	SLEEVE	1	2264838
17	SCROLL FAN	1	2263929
18	MOTOR-COND FAN	1	2188875
19	BLADE FAN CB	1	2264129
20	SCREW 8-18 x 10.3 MHW 30 DEG	3	2264841
21	REFLECTIVE SHIELD	1	2210833

Nota: La referencia que aparezcan en su num de
Parte con asteriscos ***indica que
no aplica para este modelo.