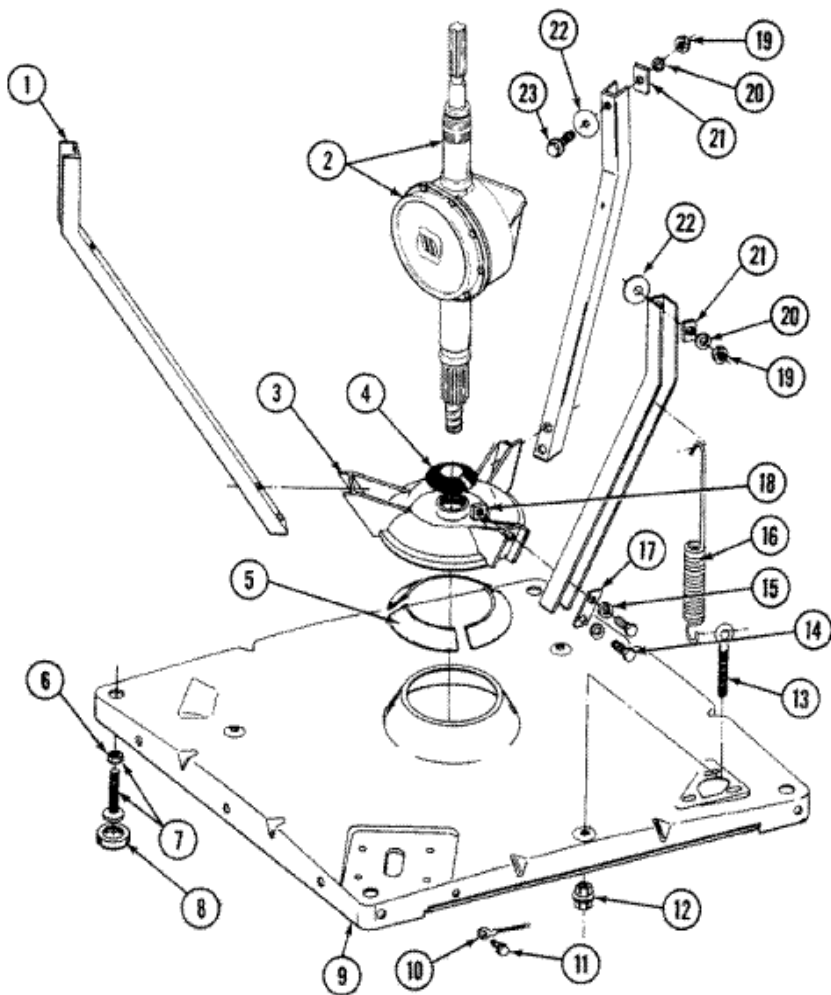


Distribuidor Autorizado

SurteRápido.com

Venta de Refacciones
Electrodomesticas

A590 BASE

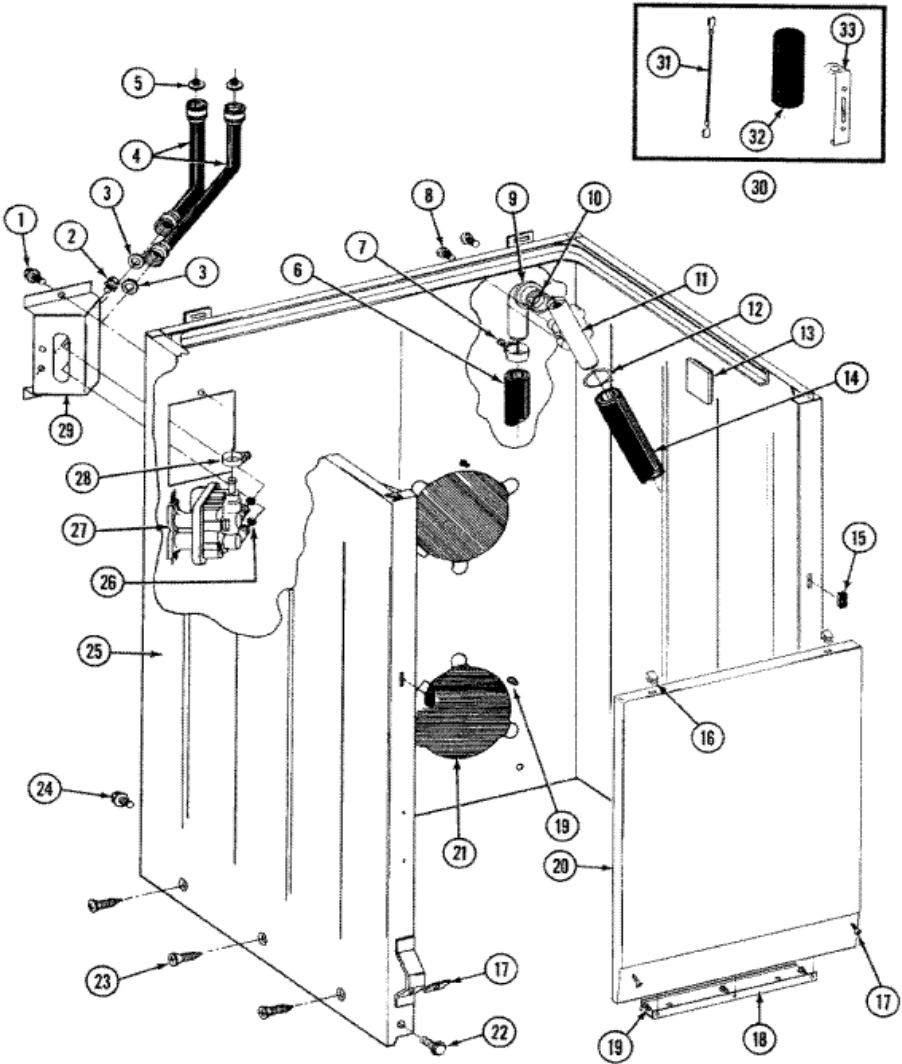




A590 BASE

1	213053	BRACE, TUB
2	22002126	TRANSMISSION, ORBITAL
3	2-3725	DAMPER W/BOLT & CLIP
4	22001586	DEFLECTOR, WATER (DRIVE TUBE) (S/P)
5	203956	DAMPER PAD KIT (W/POLY LUBE)
6	210385	NUT, LOCK (S/P)
7	22003428	LEG, ADJUSTABLE (W/NUT)
8	210684	FOOT, RUBBER
9	203274	BASE WITH DAMPER PADS (S/P)
10	204807	GRND.WIRE, SUPP.PLTE TO TOP CVR (S/P)
11	210186	DESCONTINUADO
12	211949	NUT, EYEBOLT (S/P)
13	216416	EYE BOLT FOR CENTER SPRING (S/P)
14	Y015627	SCREW, HEX HD CAP 5/16 X 5/8 (S/P)
15	486009	WASHER, LOCK (BRACE) (S/P)
16	213054	CENTERING SPRING - 3 USED
17	213073	WASHER, DOUBLE (S/P)
18	Y052785	NUT, BRACE TO DAMPER (S/P)
19	Y052734	NUT (S/P)
20	Y054867	WASHER, LOCK (S/P)
21	212979	WASHER, TUB BRACE (S/P)
22	211100	WASHER, CUSHION (S/P)
23	205254	BOLT & GASKET ASSEMBLY (LONG) (S/P)
23	200744	BOLT & GASKET ASSY.(SHORT) (S/P)

A590 GABINETE





A590 GABINETE

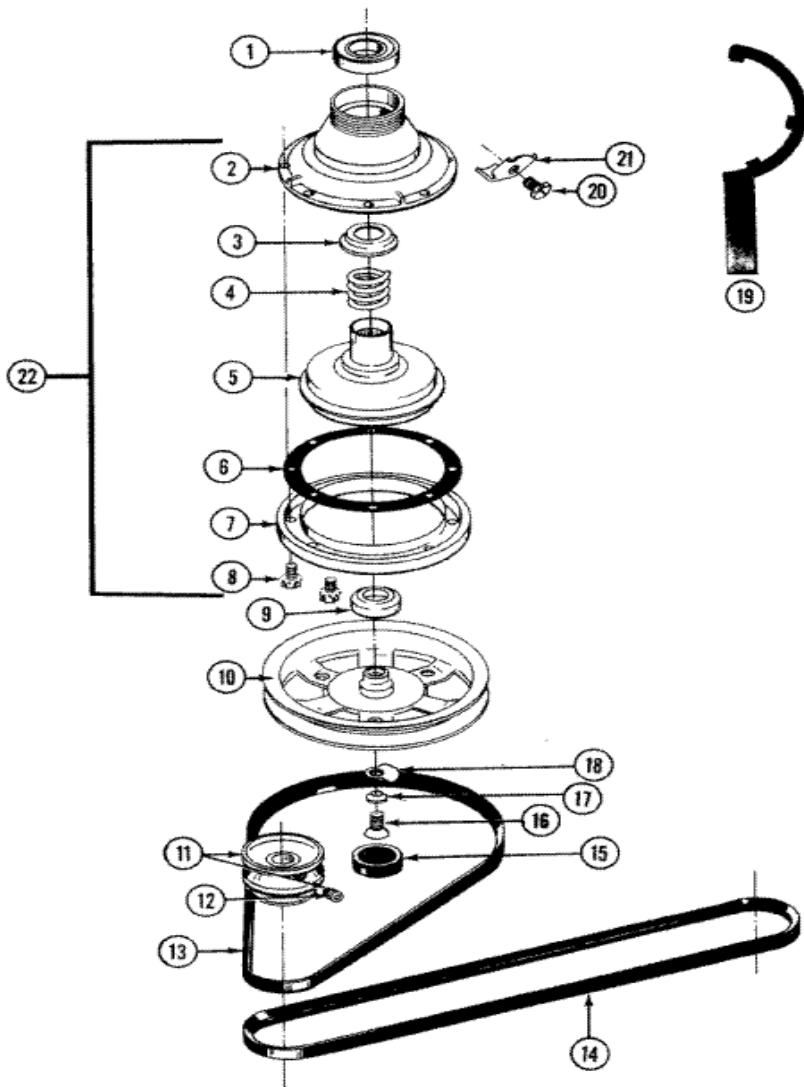
1	212276	SCREW) (S/P)
3	Y013783	GASKET, INLET HOSE) (S/P)
4	202860	INLET HOSE ASSY.) (S/P)
5	12001413	SCREEN WASHER, INLET HOSE) (S/P)
6	215279	HOSE, DRAIN
7	285655	HOSE CLAMP - 1-5/8 INCH) (S/P)
8	Y014874	SCREW) (S/P)
9	208847	SIPHON BREAK ELBOW
10	214765	GASKET, SIPHON BREAK
11	2-6638	SIPHON BREAK(W/CLAMP)
12	200461	HOSE CLAMP - 1-5/8 INCH) (S/P)
13	215058	PAD, CABINET BUMPER) (S/P)
14	22001448	HOSE, PUMP TO SIPHON BREAK
15	22002331	SPACER, FRONT PANEL) (S/P)
16	22001650	FASTENER, PANEL
17	204439	SCREW & FSTNER ASSY(FRT.PANEL)
18	213846	GUARD, BELT) (S/P)
19	211294	SCREW) (S/P)
20	216078	FRONT PANEL-WHITE) (S/P)
21	211878	PLATE, ACCESS) (S/P)
22	213122	DESCONTINUADO
23	213007	SCREW, CABINET) (S/P)
24	213121	SCREW) (S/P)
25	22203319	CABINET-WHITE) (S/P)
26	214337	SCREEN, VALVE) (S/P)
27	2-5613	WATER VALVE
28	201575	HOSE CLAMP) (S/P)
29	22002361	BRACKET, WATER VALVE) (S/P)
30	206103	CAPACITOR KIT) (S/P)
31	203237	No.17 WIRE WITH TERMINAL) (S/P)
32	Y200832	CAPACITOR) (S/P)
33	211149	CLIP, CAPACITOR) (S/P)

Distribuidor Autorizado

SurteRápido.com

Venta de Refacciones
Electrodomesticas

A590 CLUTCH





A590 CLUTCH

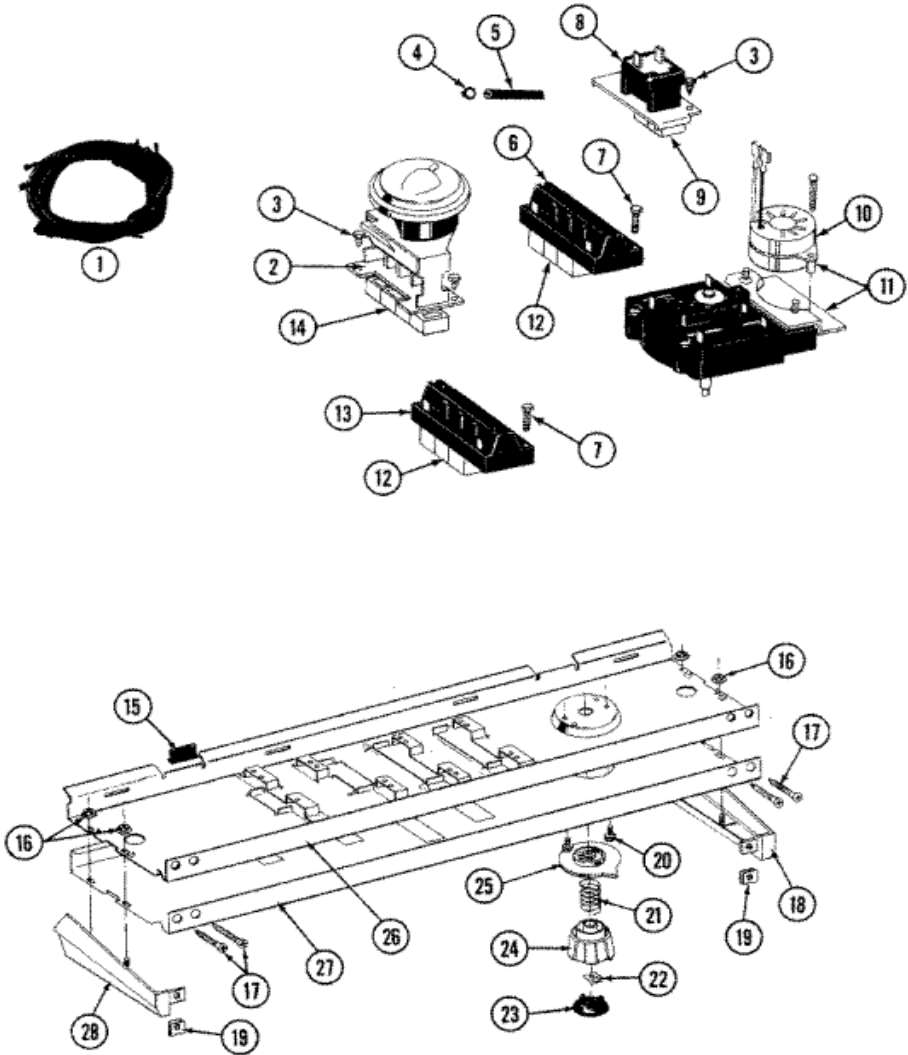
1	22003441	BALL BEARING, RADIAL
2	2-1190	HOUSING, BRAKE
3	2-1190	RETAINER, BRAKE SPRING
4	2-1190	SPRING, BRAKE
5	2-1190	ROTOR, BRAKE (W/FACING)
6	2-1190	GASKET, BRAKE DRUM
7	2-1190	DRUM, BRAKE
8	2-1190	SCREW, HEX HEAD (BRAKE DRUM)
9	2-835	BEARING, BRAKE ROTOR
10	22002429	PULLEY, DRIVE
11	2-816	PULLEY, MOTOR (W/SET SCREW)
12	Y053241	SET SCREW, PULLEY (S/P)
13	2-11125	V BELT, DRIVE PULLEY
14	2-11124	V BELT, PUMP
15	211038	DESCONTINUADO
16	211375	SCREW, STOP LUG(CENTER SHAFT)
17	22003555	WASHER, LOCK
18	211089	LUG, STOP
19	Y038315	DESCONTINUADO
20	213326	SCREW, RETAINING CLIP (S/P)
21	213325	CLIP, RETAINER
22	2-1190	BRAKE ASSEMBLY

Distribuidor Autorizado

SurteRápido.com

Venta de Refacciones
Electrodomesticas

A590 TABLERO

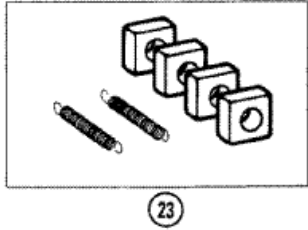
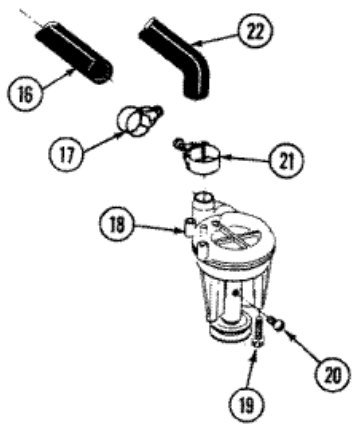
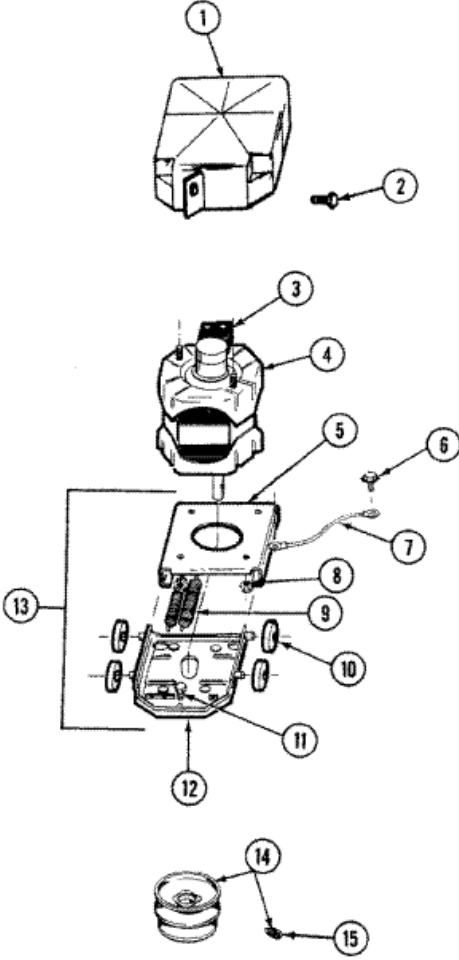




A590 TABLERO

1	206612	WIRE HARNESS (S/P)
2	206220	WATER LEVEL SWITCH
3	211168	SCREW, No.8 X 5/16 INCH (S/P)
4	410296	CLAMP, WATER LEVEL SWTCH TUBE (S/P)
5	22001619	AIR DOME AND TUBE
6	206614	FABRIC CONTROL SWITCH (S/P)
7	213117	SCREW-TEMP. SWITCH TO PANEL (S/P)
9	215211	BUTTON FOR SWITCH (S/P)
10	205410	DESCONTINUADO
11	206606	TIMER
12	215211	BUTTON FOR SWITCH (S/P)
13	206216	WATER TEMPERATURE SWITCH
14	215212	BUTTON FOR SWITCH (S/P)
14	214993	BUTTON FOR SWITCH (S/P)
15	214897	PAD, CONTROL PANEL (S/P)
16	214872	PALNUT, END CAP (S/P)
17	210932	SCREW, No.8 X 9/16 CTSK (S/P)
18	214816	END CAP F/CONTROL PANEL-RH (S/P)
19	214894	FASTENER, END CAP (S/P)
20	213966	SCREW-TIMER TO CONTROL PANE (S/P)
21	2-11065	SPRING, TIMER KNOB
22	211605	RETAINER, TIMER KNOB
23	215164	CAP FOR KNOB
24	215162	TIMER KNOB
25	22001571	TIMER DIAL INDICATOR
26	214818	BACK UP PLATE (S/P)
27	206605	CONTROL PANEL (S/P)
28	214815	END CAP F/CONTROL PANEL-LH (S/P)

A590 MOTOR





A590 MOTOR

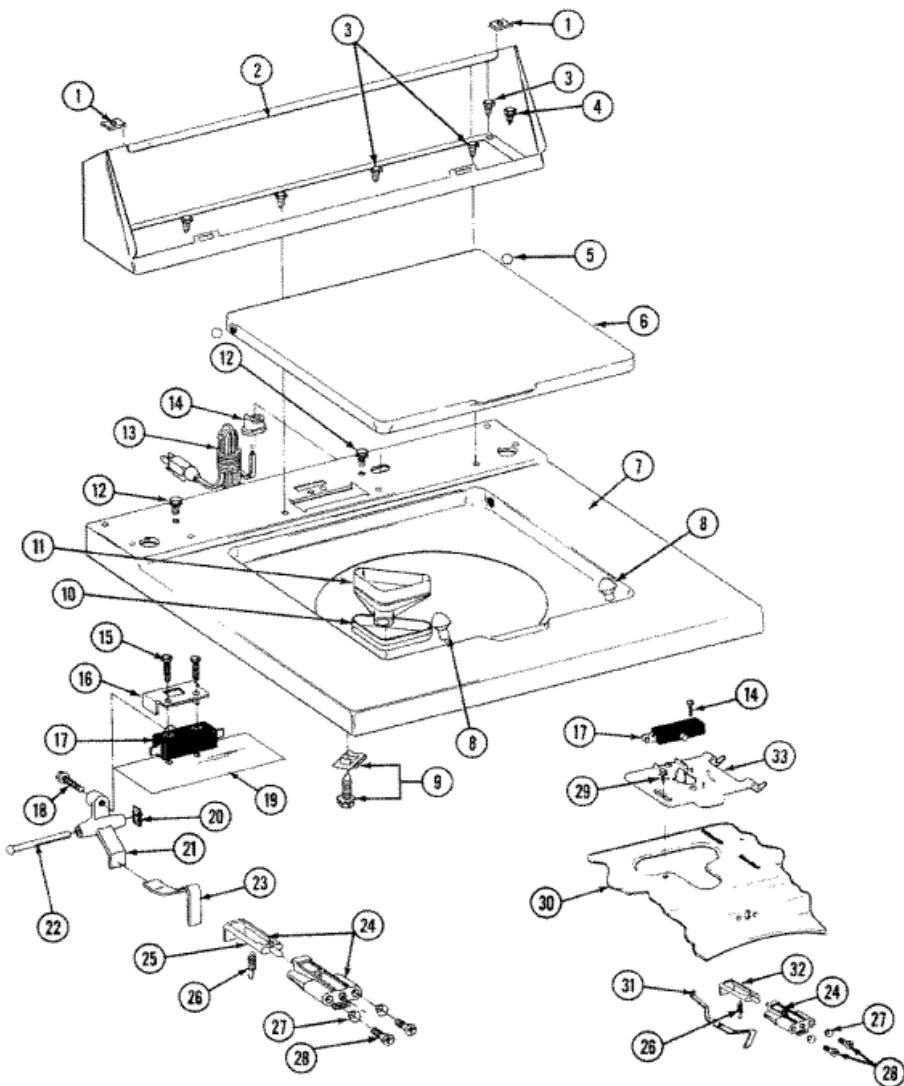
1	215098	SHIELD, MOTOR
2	213121	SCREW (S/P)
3	205134	DESCONTINUADO
3	206504	MOTOR EXTERNAL START SWITCH (S/P)
3	205133	DESCONTINUADO
3	205132	SWITCH, MOTOR START (S/P)
3	205131	SWITCH, MOTOR START (S/P)
4	12002351	MOTOR (ONE SPEED)
5	214956	MOUNT, MOTOR/UPPER (S/P)
6	210186	DESCONTINUADO
7	901220	WIRE, GROUND (S/P)
8	Y311426	NUT, WASHERED LOCK (S/P)
9	2-5000	TENSION SPRINGS
10	2-5000	GLIDE KIT (4 W/POLY LUBE)
11	Y313561	DESCONTINUADO
12	205908	LOWER MOTOR MOUNT (S/P)
13	205999	MOTOR MOUNT ASSM COMPLETE
14	2-816	PULLEY, MOTOR (W/SET SCREW)
15	Y053241	SET SCREW, PULLEY (S/P)
16	22001448	HOSE, PUMP TO SIPHON BREAK
17	285655	HOSE CLAMP - 1-5/8 INCH (S/P)
18	2-2203	PUMP AS PAK
19	211880	SCREW, HEX HD No.10 X ½ INC (S/P)
20	Y015408	SCREW, BEARING INSERT (S/P)
21	3367052	CLAMP, HOSE (S/P)
22	213045	DRAIN HOSE-TUB TO PUMP
23	2-5000	GLIDE & SPRING KIT

Distribuidor Autorizado

SurteRápido.com

Venta de Refacciones
Electrodomesticas

A590 TAPA





A590 TAPA

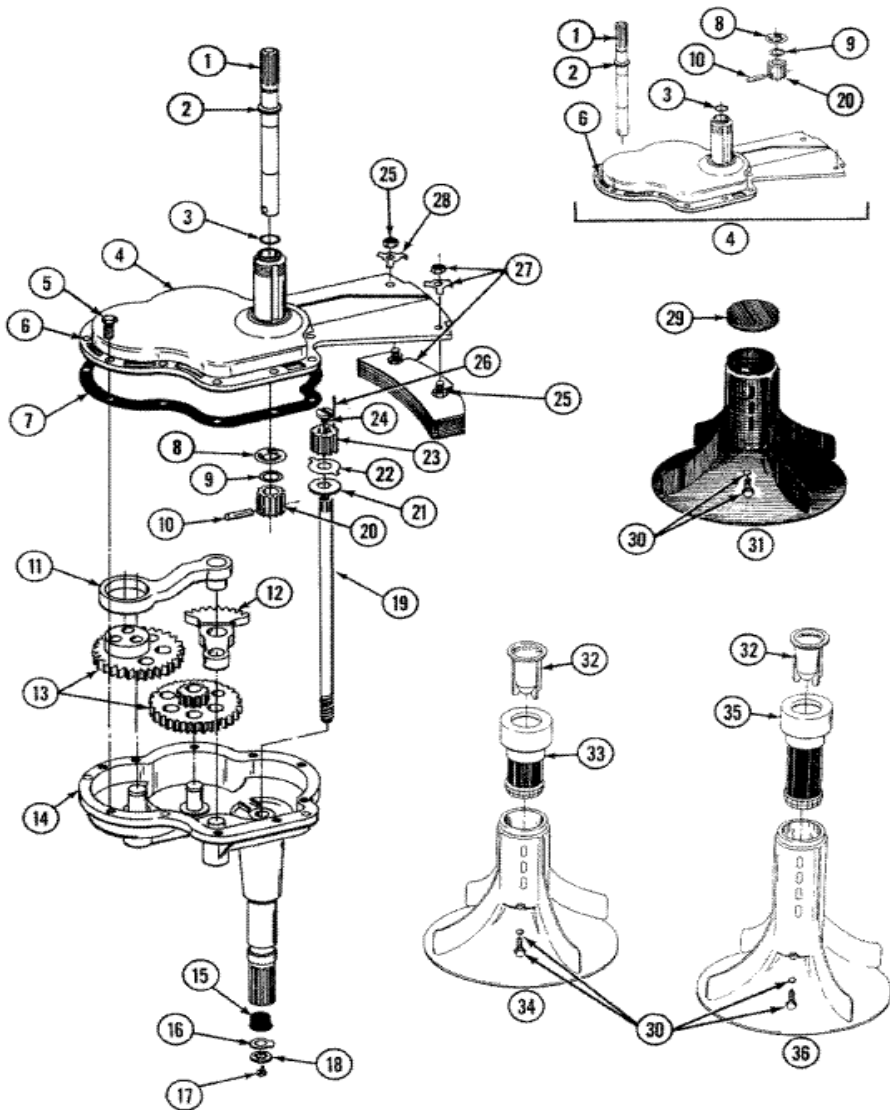
1	215075	FASTENER, CNTRL PNL TO CONSOLE (S/P)
2	205635	CONSOLE (WHT) (S/P)
4	313551	SCREW, CONSOLE GROUND (S/P)
5	211726	HINGE, BALL (S/P)
6	216073	LID-WHITE (S/P)
7	205537	TOP COVER-WHITE (S/P)
8	212716	BUMPER, LID
9	204445	SCREW & FASTENER ASY. (S/P)
10	214436	GASKET (S/P)
11	215577	BLEACH INLET (S/P)
12	210186	DESCONTINUADO
13	204590	POWER CORD (S/P)
14	2-11881	GROMMET, CORD
15	213501	SCREW, No.6-20 X 1-1/8 INCH (S/P)
16	214898	COVER FOR LID SWITCH (S/P)
17	205415	SWITCH, LID (W/O TUB LIGHT)
18	911267	SCREW, PUMP COVER (S/P)
19	214987	MOISTURE BARRIER FOR SWITCH (S/P)
20	410635	FASTENER (S/P)
21	214813	LEVER FOR LID SWITCH (S/P)
22	214805	PIN FOR UNBALANCE LEVER (S/P)
23	214804	UNBALANCE LEVER (S/P)
24	204968	PLUNGER & BRACKET ASSEMBLY
25	213718	LID SWITCH PLUNGER (S/P)
26	213720	SPRING (S/P)
27	211500	WASHER, BRACKE TO TOP COVER (S/P)
28	22001600	SCREW (S/P)
29	207159	SCREW (S/P)
30	207170	DESCONTINUADO
31	215704	UNBALANCE LEVER (S/P)
32	208591	DESCONTINUADO
33	22001678	BRACKET, SWITCH & FUSE

Distribuidor Autorizado

SurteRápido.com

Venta de Refacciones
Electrodomesticas

A590 TRANSMISION





A590 TRANSMISION

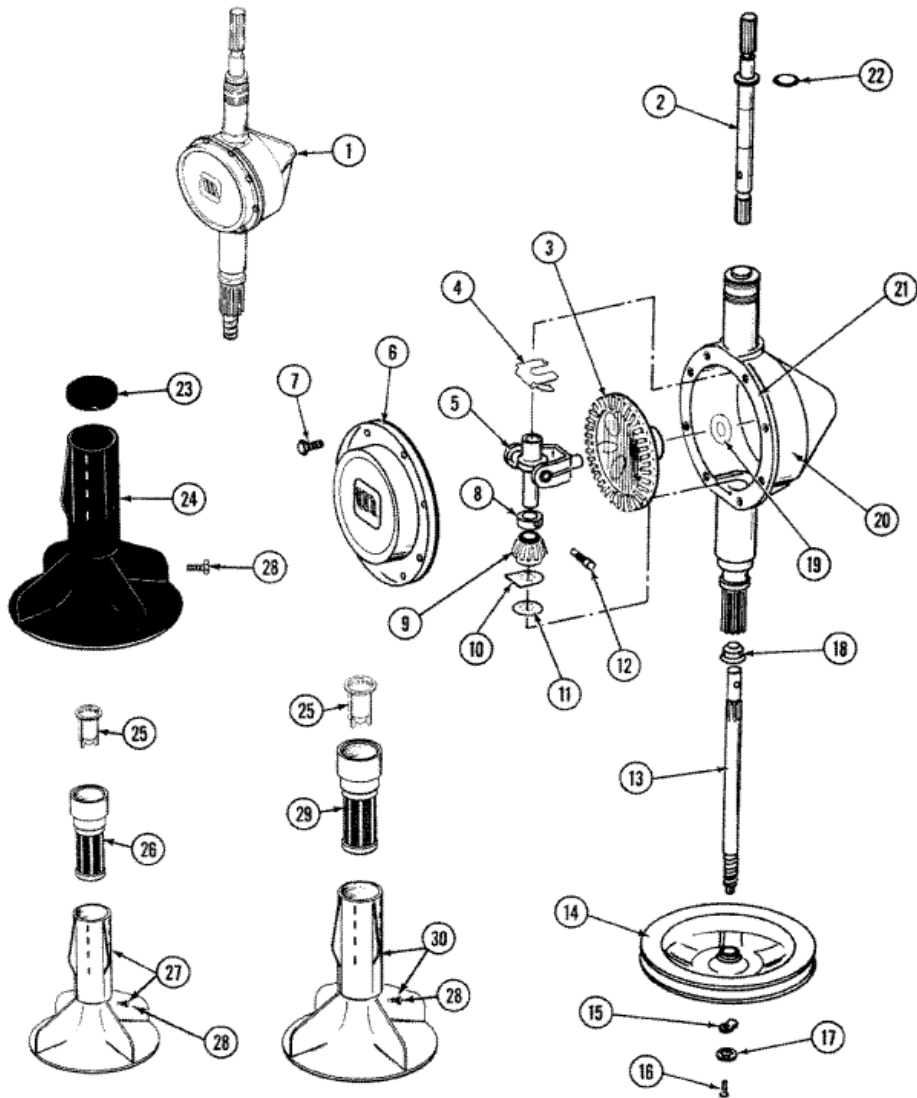
1	22002124	AGITATOR SHAFT
2	Y014839	COLLAR-DRIVE SHAFT (S/P)
3	210690	SEAL, RUBBER
4	200813	DESCONTINUADO
5	Y015629	BOLT, GRINDING CHAMBER-DRAI (S/P)
6	15639	DOWEL PIN (S/P)
7	22210632	GASKET
8	Y015902	SPRING FOR AGITATOR (S/P)
9	Y014827	WASHER-CENTER SHAFT (S/P)
10	210183	GROOV-PIN, 1/4 X 1-1/4
11	201463	DESCONTINUADO
12	210670	DESCONTINUADO
13	204967	GEAR KIT-POWER FIN AGITATOR
14	203193	GEAR HOUSING W/STUDS & TUBE (S/P)
15	207843	SEAL, LIP (CENTER SHAFT)
16	211089	LUG, STOP
17	2-11375	SCREW, STOP LUG(CENTER SHAFT)
18	22003555	WASHER, LOCK
19	213044	CENTER SHAFT
20	210054	PINION (S/P)
21	211483	WASHER, SPLINED
22	211484	LUG WASHER
23	2-10315	PINION
25	Y052740	NUT (S/P)
26	211487	DESCONTINUADO
27	205811	DESCONTINUADO
28	210172	LOCK WASHER (S/P)
30	206478	SCREW & WASHER FOR AGITATOR
32	212815	DESCONTINUADO
35	203265	LINT FILTER-DISPENSER (S/P)
36	22004085	AGITATOR - TURQUOISE
37	203438	TRANS & CENTER ASSM. LG TUB (S/P)

Distribuidor Autorizado

SurteRápido.com

Venta de Refacciones
Electrodomesticas

A590 TRANSMISION





A590 TRANSMISION

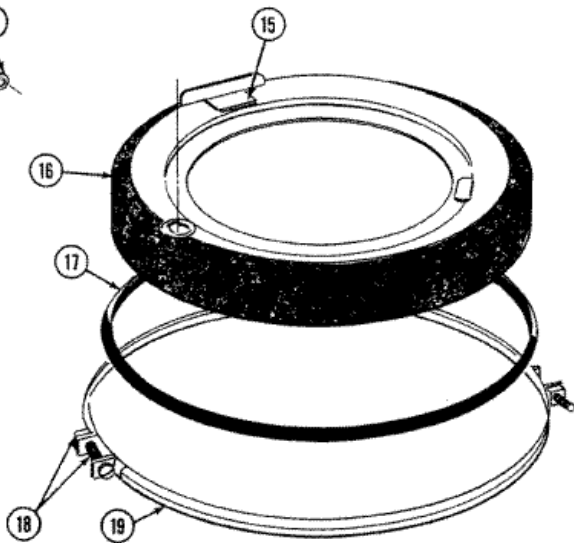
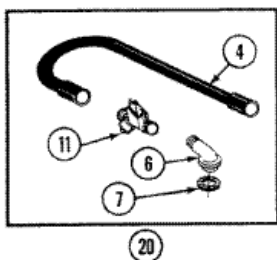
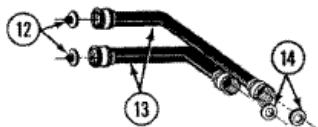
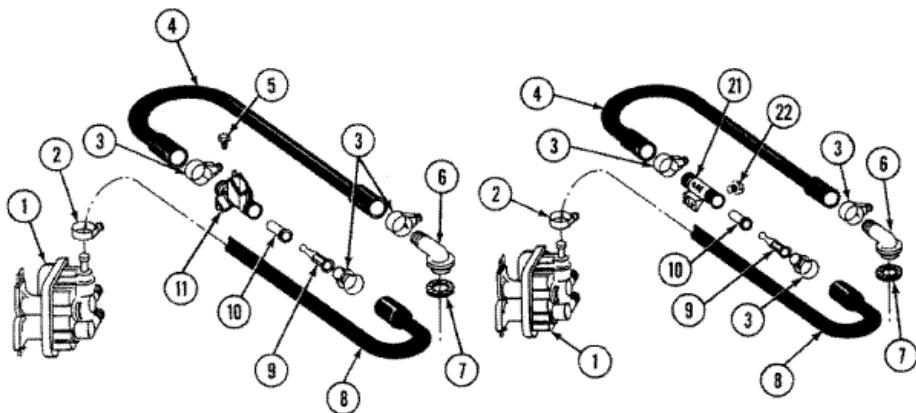
1	22002126	TRANSMISSION, ORBITAL
2	22002132	SHAFT, AGITATOR (W/SPRING)
3	206713	GEAR, BEVEL
4	215581	SPRING, AGITATOR SHAFT
5	206685	BLOCK, TORQUE AND YOKE ASSEMBL
6	206628	COVER, TRANSMISSION (S/P)
7	215417	SCREW, TRANSMISSION COVER (S/P)
8	215415	DESCONTINUADO
9	215401	PINION
10	215395	PLATE, CLUTCH
11	211483	WASHER, SPLINED
12	206629	PIN, COLLAR
13	12001450	CENTER SHAFT - LARGER (S/P)
14	22002429	PULLEY, DRIVE
15	211089	LUG, STOP
16	2-11375	SCREW, STOP LUG(CENTER SHAFT)
17	22003555	WASHER, LOCK
18	207843	SEAL, LIP (CENTER SHAFT)
19	215394	WASHER, BEVEL GEAR (S/P)
20	22002126	HOUSING, TRANSMISSION
21	Y058700	SILASTIC, ADH.SEALANT (S/P)
22	210690	SEAL, RUBBER
25	215733	DISPENSING CUP (S/P)
28	206478	SCREW & WASHER FOR AGITATOR

Distribuidor Autorizado

SurteRápido.com

Venta de Refacciones
Electrodomesticas

A590 VALVULA





A590 VALVULA

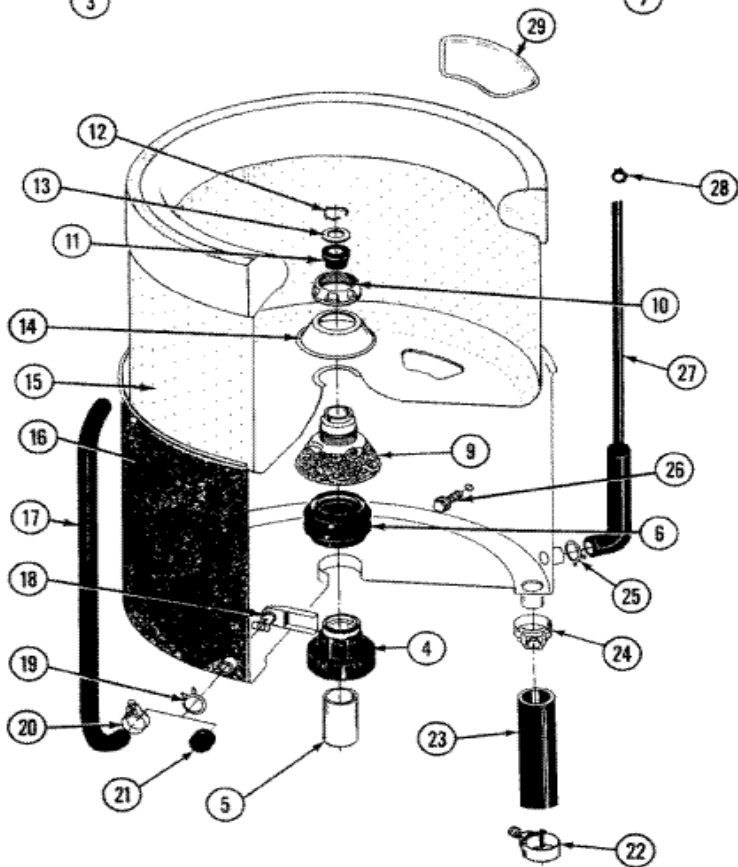
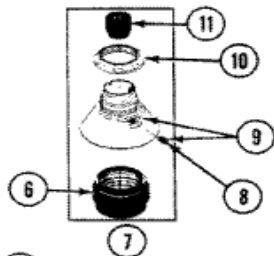
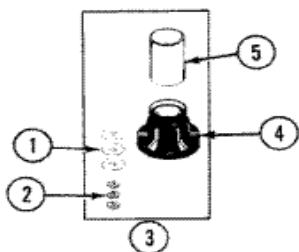
1	2-5613	WATER VALVE
2	201575	HOSE CLAMP (S/P)
3	202515	HOSE CLAMP - 1-1/16 INCH (S/P)
4	2-15234	INJECTOR FILL HOSE
5	312620	SEMS SCREW, No.10-16 X 1/2`` (S/P)
6	215235	INJECTOR TUBE (S/P)
7	2-15233	SEAL FOR INJECTOR TUBE
8	2-13013	HOSE, INJECTOR
9	2-13015	INJECTOR NOZZLE
10	216201	VALVE FOR INJECTOR SUB
11	215447	SLEEVE FOR INJECTOR
12	12001413	SCREEN WASHER, INLET HOSE (S/P)
13	202860	INLET HOSE ASSY. (S/P)
14	Y013783	GASKET, INLET HOSE (S/P)
15	215232	UNBALANCE BUMPER (S/P)
16	206380	DESCONTINUADO
17	2-11232	SEAL
18	205529	NUT & BOLT KIT FOR TUB CLAM
19	200846	CLAMP - TUB COVER (S/P)
20	206680	INJECTOR HOSE KIT
21	22213057	SLEEVE FOR INJECTOR
22	Y310632	SCREW (S/P)

Distribuidor Autorizado

SurteRápido.com

Venta de Refacciones
Electrodomesticas

A590 TINA





A590 TINA

1	211100	WASHER, CUSHION (S/P)
2	Y054867	WASHER, LOCK (S/P)
3	2-4013	TUB BEARING REPAIR KIT
4	200824	BEARING, TUB (S/P)
5	2-11130	LINER, TUB BEARING
6	22204012	SEAL AND SPRING
7	22204012	MOUNTING STEM REPAIR KIT
8	211618	SET SCREW, MTG. STEM (S/P)
9	22204012	MOUNTING STEM
10	211047	NUT, CLAMPING (INNER TUB) (S/P)
11	A4298	SEAL, AGITATOR DRIVE SHAFT
12	Y015667	RETAINING RING (S/P)
13	Y015666	WASHER, RETAINING(CENTER SEAL) (S/P)
14	211210	WASHER, CLAMPING NUT(STAINLESS) (S/P)
15	207831	INNER TUB W/PLUG (S/P)
16	205484	OUTER TUB (S/P)
17	2-14495	TUBE, INLET TO TUB
18	214434	SPOUT, DEFLECTOR (S/P)
19	596669	SPRING HOSE CLAMP (S/P)
20	489503	CLAMP - 15/16`` (S/P)
21	214725	CAP FOR SPOUT-OUTER TUB (S/P)
22	285655	HOSE CLAMP - 1-5/8 INCH (S/P)
23	213045	DRAIN HOSE-TUB TO PUMP
24	200900	CLAMP, SPRAY ARM HOSE (S/P)
25	211641	CLAMP, 1-1/16`` (S/P)
26	205254	BOLT & GASKET ASSEMBLY (LONG) (S/P)
26	200744	BOLT & GASKET ASSY.(SHORT) (S/P)
27	22001619	AIR DOME AND TUBE
28	596669	CLAMP, WATER LEVEL SWTCH TUBE (S/P)
29	215980	PLUG, FILTER HOLE (S/P)