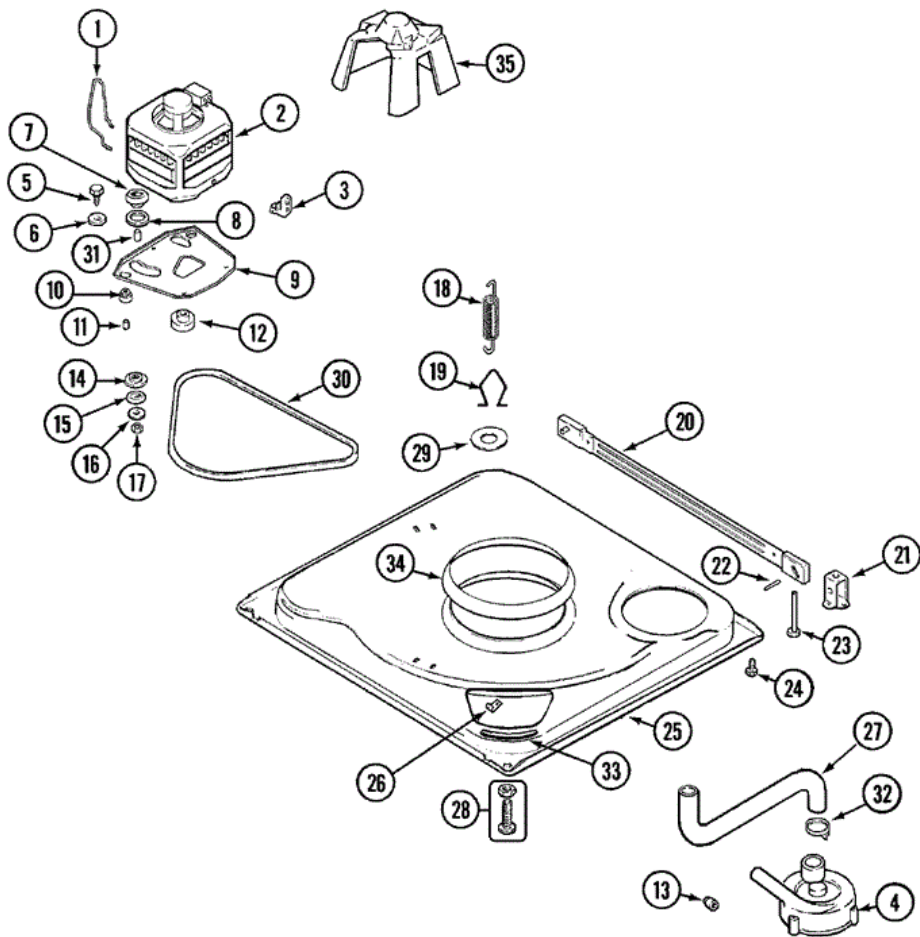


Distribuidor Autorizado

SurteRápido.com

Venta de Refacciones
Electrodomesticas

AAV1000AWW BASE



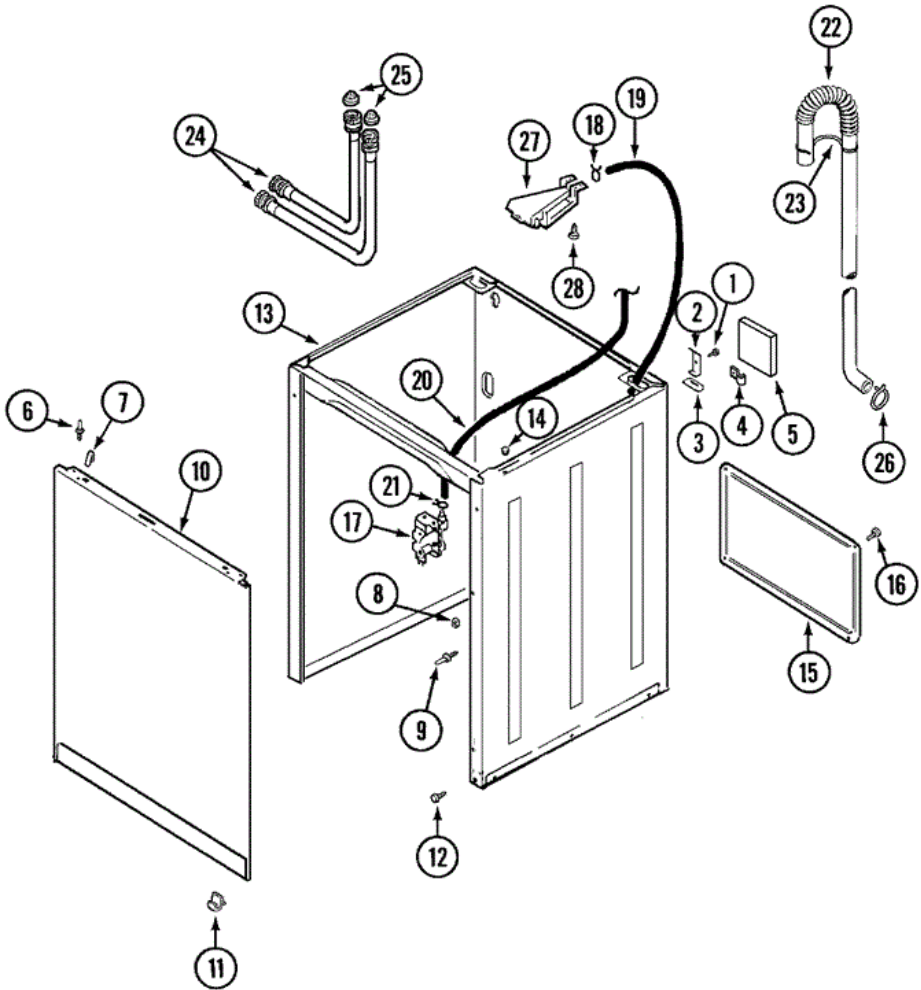


AAV1000AWW BASE

| | | | |
|----|----------|----|-------------------------------|
| 1 | 21001110 | 10 | SPRING, MOTOR PIVOT |
| 2 | 21001516 | 10 | MOTOR & PULLEY ASSY. |
| 3 | 21001109 | 10 | SLIDE, FOOT |
| 4 | 35-2099 | 10 | PUMP ASSY (COMPLETE) |
| 5 | 25-7833 | 10 | SCREW |
| 6 | 25-7834 | 10 | WASHER |
| 7 | 33-9946 | 10 | ISOLATOR, MOTOR |
| 8 | 35-3570 | 10 | WASHER, MOTOR PIVOT |
| 9 | 21001111 | 10 | PLATE, MOTOR |
| 10 | 35-3646 | 10 | ISOLATOR, MOTOR PLATE |
| 11 | 25-7831 | 10 | SPACER |
| 12 | 21001506 | 10 | PULLEY, MOTOR-60 HZ |
| 12 | 25-7117 | 10 | SET SCREW |
| 13 | 35-2344 | 10 | RESTRICTOR, FLOW |
| 14 | 35-3571 | 10 | SLIDE, MOTOR PIVOT |
| 15 | 33-9967 | 10 | WASHER, MOTOR ISOLATOR |
| 16 | 25-7047 | 10 | WASHER, FLAT |
| 17 | 25-7325 | 10 | NUT, MOTOR PLATE ASY TO MOTOR |
| 18 | 21001598 | 10 | SPRING, SUSPENSION |
| 19 | 21001166 | 10 | HOOK, SUSPENSION SPRING |
| 20 | 35-2049 | 10 | BAR, STABILIZER (WITH GUIDE) |
| 21 | 35-2046 | 10 | BRACKET, STABILIZER |
| 22 | 35-2052 | 10 | PIN, STABILIZER |
| 23 | 35-3020 | 10 | FOOT PAD ASSY. (REAR) |
| 24 | 31001041 | 10 | SCREW |
| 25 | 21001169 | 10 | BASE |
| 26 | 25-7845 | 10 | SPEEDNUT |
| 27 | 35-3584 | 10 | HOSE, TUB TO PUMP |
| 28 | 35-3507 | 10 | FOOT & PAD ASSY |
| 29 | Y25-7951 | 10 | WASHER, SUSPENSION HOOK |
| 30 | 35-2279 | 10 | BELT, DRIVE |
| 30 | 35-2512 | 10 | BELT SHIELD |
| 31 | 25-7830 | 10 | SPACER |

| | | | |
|----|----------|----|------------------|
| 32 | 25-6068 | 10 | CLAMP, HOSE |
| 33 | 35-2065 | 10 | PAD, MOTOR PLATE |
| 34 | 21001161 | 10 | SNUBBER |
| 35 | 22002721 | 10 | SHIELD, MOTOR |

AAV1000AWW GABINETE

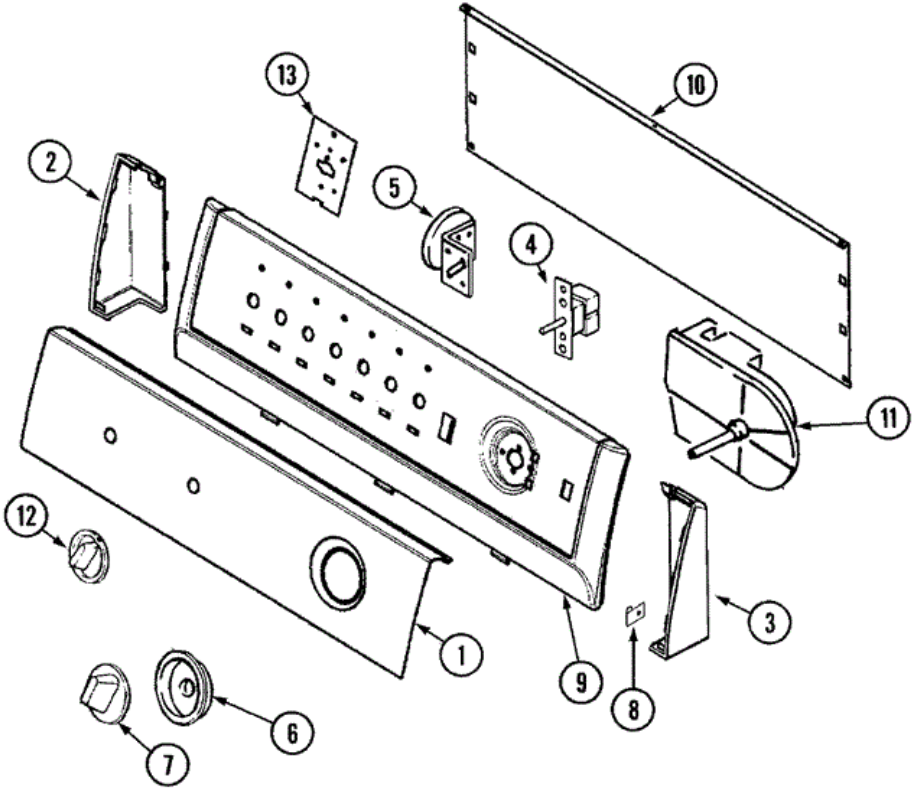




AAV1000AWW GABINETE

| | | | |
|----|----------|----|-----------------------------------|
| 1 | 25-7893 | 10 | SCREW |
| 2 | 35-2846 | 10 | HINGE, CABINET TOP |
| 3 | 35-4128 | 10 | PAD, HINGE |
| 4 | 25-7027 | 10 | CLIP, WIRING |
| 5 | 35-0706 | 10 | PAD, FOAM |
| 6 | 53-0643 | 10 | PIN, LOCATOR |
| 7 | 25-7220 | 10 | CLIP, CABINET TOP |
| 8 | 25-0224 | 10 | NUT, LOCATOR PIN |
| 9 | 53-0200 | 10 | SLEEVE, LOCATOR PIN |
| 9 | 53-0643 | 10 | PIN, LOCATOR |
| 10 | 21001281 | 10 | DAMPER, SOUND PAD |
| 10 | 35-2084 | 10 | PANEL, FRONT (WHT) |
| 11 | 25-7732 | 10 | SCREW |
| 11 | 53-0120 | 10 | CLIP, FRONT PANEL |
| 12 | 35-4129 | 10 | BUMPER, CABINET |
| 13 | 35-2106 | 10 | CABINET ASSY. (WHT) |
| 13 | 12001801 | 13 | KIT, CABINET/REAR SHIELD (WHT) |
| 14 | 33-2653 | 10 | BUMPER, CABINET |
| 15 | 35-2108 | 10 | SHIELD, REAR (NLA, ORDER CAB KIT) |
| 16 | 25-7732 | 10 | SCREW |
| 17 | 21001396 | 10 | VALVE, WATER (120V) |
| 18 | 25-7867 | 10 | CLAMP |
| 19 | 35-2378 | 10 | HOSE, FLUME/DIVERTER (RUBBER) |
| 20 | 21001060 | 10 | HOSE, PRESSURE SWITCH |
| 21 | 25-7796 | 10 | CLAMP, PRESSURE SWITCH HOSE |
| 22 | 21001513 | 10 | HOSE, DRAIN (NO CUFF) |
| 23 | 33-9537 | 10 | RETAINER |
| 24 | 35-3400 | 10 | HOSE, INLET (COLD) |
| 24 | 35-3401 | 10 | HOSE, INLET (HOT) |
| 25 | 33-4264N | 10 | STRAINER & WASHER KIT |
| 26 | 25-7080 | 10 | CLAMP, DISCHARGE HOSE |
| 27 | 35-2051 | 10 | FLUME, WATER INLET |
| 28 | 25-3092 | 10 | SCREW |

AAV1000AWW TABLERO

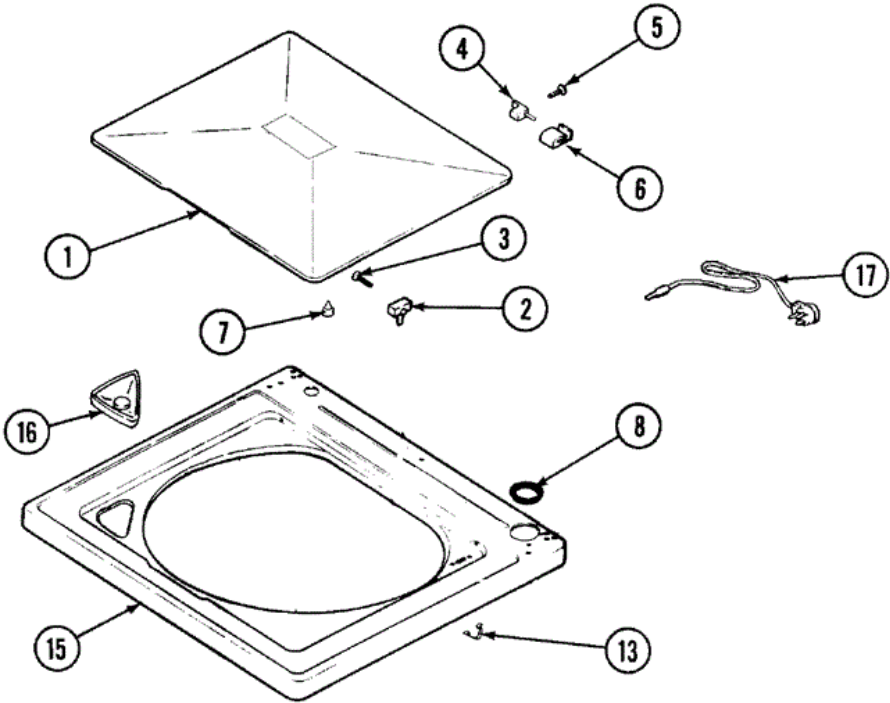
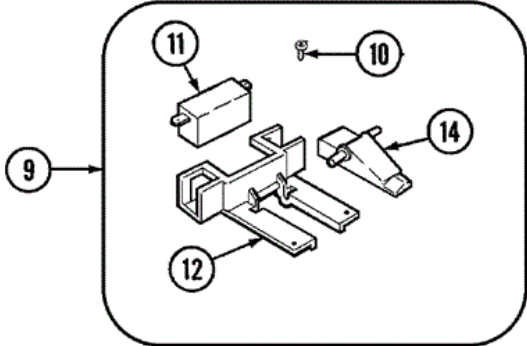




AAV1000AWW TABLERO

| | | | |
|----|----------|----|--------------------------------|
| 1 | 21001588 | 10 | PANEL, CONTROL |
| 2 | 21001546 | 10 | ENDCAP, PANEL (LT-WHT) |
| 2 | 25-3092 | 10 | SCREW |
| 3 | 21001547 | 10 | ENDCAP, PANEL (RT-WHT) |
| 3 | 25-3092 | 10 | SCREW |
| 4 | 21001139 | 10 | SWITCH, WATER TEMP. 3 POSITION |
| 4 | 25-3092 | 10 | SCREW |
| 5 | 21001554 | 10 | SWITCH, WATER LEVEL |
| 5 | 25-3092 | 10 | SCREW |
| 6 | 21001520 | 10 | SKIRT, TIMER KNOB (WHT) |
| 7 | 21001526 | 10 | KNOB, TIMER (WHT) |
| 8 | 25-7851 | 10 | SPEEDCLIP, END CAP TO TOP |
| 9 | 21001552 | 10 | FRAME (WHT), CONTROL PANEL |
| 10 | 21001527 | 10 | SHIELD, REAR (BACK PANEL) |
| 10 | 25-3092 | 10 | SCREW |
| 10 | 25-3457 | 10 | SCREW, SEMS |
| 10 | 25-7853 | 10 | RETAINING RING |
| 11 | 21001522 | 10 | TIMER |
| 11 | 25-3092 | 10 | SCREW |
| 12 | 21001544 | 10 | KNOB, SELECTOR (WHT) |
| 13 | 21001517 | 10 | SHIELD, CONTROL (1 POS.) |
| 13 | 31001193 | 10 | PAD, SHIELD |
| 13 | 53-2504 | 10 | SPACER, CONTROL SHIELD |
| NI | 21001591 | 10 | MANUAL, USE & CARE |
| NI | 21001725 | 10 | MANUAL, USE & CARE (SPAN) |

AAV1000AWW TAPA

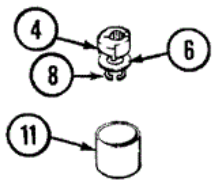
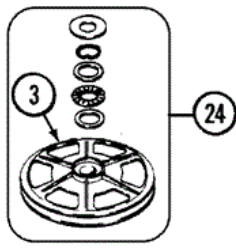
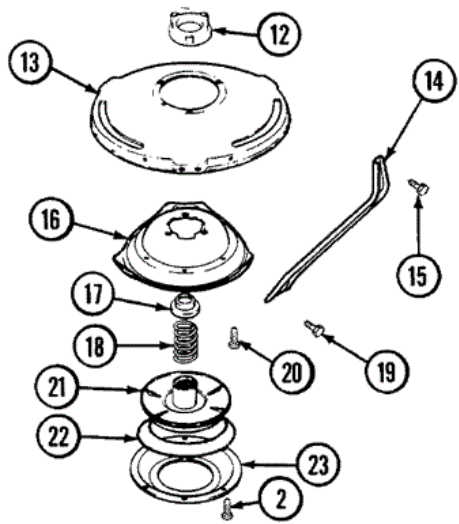
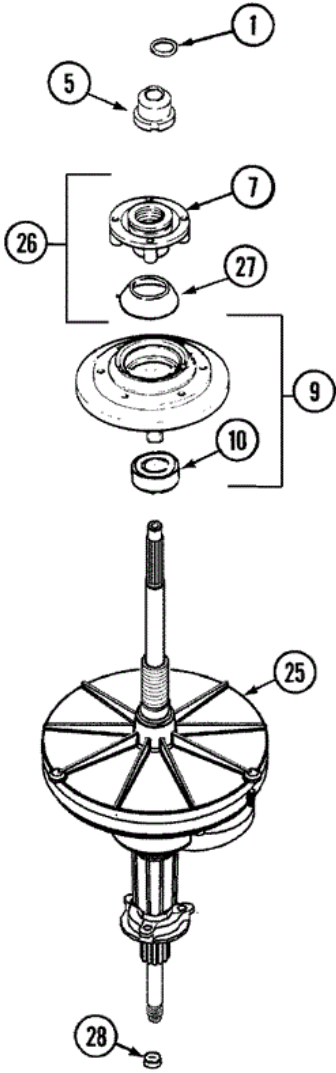




AAV1000AWW TAPA

| | | | |
|----|----------|----|------------------------------|
| 1 | 35-2026 | 10 | LID (WHT) (DOOR) |
| 2 | 43-0057 | 10 | ACTUATOR, DOOR SWITCH |
| 3 | 25-7436 | 10 | NYLITE WASHER |
| 3 | 25-7438 | 10 | SCREW |
| 4 | 35-2045 | 10 | PIN, HINGE |
| 5 | 25-7893 | 10 | SCREW |
| 6 | 35-2044 | 10 | HINGE, LID |
| 7 | 35-0581 | 10 | BUMPER, DOOR (LID) |
| 8 | 35-2063 | 10 | BUSHING, INSULATOR |
| 8 | 35-2064 | 10 | BUSHING, INSULATING |
| 9 | 21001137 | 10 | LID SWITCH ASSY.-W/LEADS |
| 10 | 21001136 | 10 | SCREW, SWITCH/HOUSING |
| 11 | 21001148 | 10 | SWITCH, LID/DOOR SAFETY SPIN |
| 12 | 21001135 | 10 | HOUSING, LID SWITCH |
| 13 | 25-7878 | 10 | CLIP |
| 14 | 21001134 | 10 | LEVER, LID SWITCH |
| 15 | 21001602 | 10 | TOP, CABINET (WHT) |
| 16 | 21001597 | 10 | DISPENSER, BLEACH |
| 17 | 21001592 | 10 | CORD, POWER |

AAV1000AWW TRANSMISION

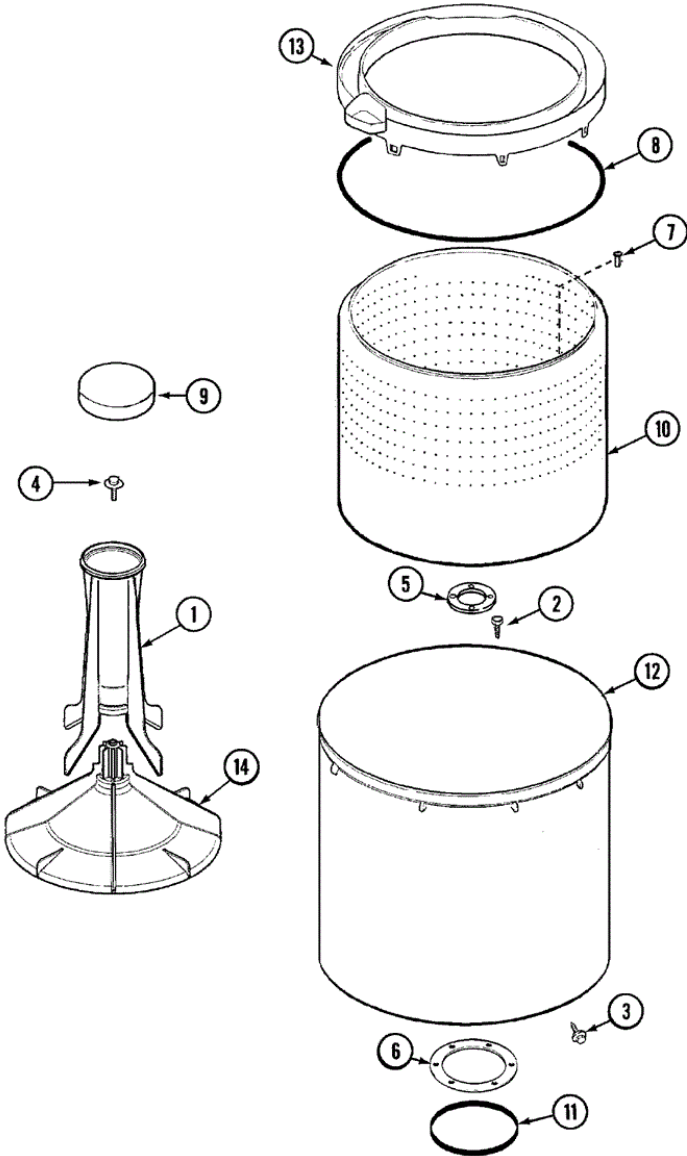




AAV1000AWW TRANSMISION

| | | | |
|----|-----------|----|------------------------------------|
| 1 | 25-7941 | 10 | ``O`` RING |
| 2 | 21001065 | 10 | SCREW,NO.10-24X.50 HXNIBHD |
| 3 | 35-3829 | 10 | PULLEY, DRIVE |
| 3 | 12001797 | 12 | KIT, PULLEY & DUST CAP |
| 4 | LA-2007 | 10 | CAM REPLACEMENT KIT |
| 5 | 21001533 | 10 | SEAL NUT ASSEMBLY |
| 6 | 35-2082 | 10 | WASHER,1.25ODX.530IDX.062 |
| 6 | 35-2132 | 10 | WASHER,1.25ODX.530IDX.032 |
| 7 | 21001515 | 10 | BASKET HUB ASSEMBLY |
| 8 | 25-7854 | 10 | RING, RETAINING |
| 9 | 21001508 | 10 | HOUSING/BEARING ASSY. |
| 10 | 35-2205 | 10 | BEARING, SPIN |
| 11 | 35-2007 | 10 | CAP, DUST |
| 11 | W10124350 | 12 | NOT REQUIRED PART PULLEY ITEM NO.3 |
| 12 | 21001511 | 10 | HOUSING/LWR.BEARING ASSY. |
| 12 | 35-2205 | 10 | BEARING, SPIN |
| 13 | 21001518 | 10 | SUPPORT, TUB |
| 14 | 21001532 | 10 | BRACE, TUB |
| 15 | 25-7895 | 10 | SCREW, SUSP HSG TO LWR BRG ASY |
| 16 | 21001163 | 10 | HOUSING, SUSPENSION |
| 17 | 35-2017 | 10 | RETAINER, BRAKE SPRING |
| 18 | 31001285 | 10 | SPRING, BRAKE |
| 19 | 25-7930 | 10 | SCREW 5/16-18X3/4 |
| 20 | 21001509 | 10 | SCREW,HIGH PERFORMANCE PLASTIC |
| 21 | 35-2948 | 10 | BRAKE ROTOR & LINING ASSY |
| 22 | 21001161 | 10 | SNUBBER |
| 23 | 35-2018 | 10 | STATOR, BRAKE |
| 24 | 12500036 | 10 | THRUST BEARING KIT |
| 25 | 21001536 | 10 | TRANS. ASSY.(W/O SEAL/BEARING) |
| 26 | 12001598 | 10 | TUB SEAL ASSEMBLY |

AAV1000AWW TINAS





AAV1000AWW TINAS

| | | | |
|----|----------|----|------------------------------|
| 1 | 21001521 | 10 | TOP, AGITATOR |
| 2 | 21001510 | 10 | SCREW |
| 3 | 25-7953 | 10 | SCREW |
| 4 | 25-7948 | 10 | SCREW, AGITATOR RETENTION |
| 5 | 35-3685 | 10 | GASKET, BASKET TO CENTERPOST |
| 6 | 35-3686 | 10 | GASKET, TUB TO HOUSING |
| 7 | 25-7967 | 10 | SCREW, SHOULDER |
| 8 | 35-2328 | 10 | SEAL, TUB TOP |
| 9 | 21001528 | 10 | CAP, AGITATOR |
| 10 | 21001529 | 10 | BASKET ASSEMBLY (PLASTIC) |
| 11 | 35-2978 | 10 | SEAL, TUB/HOUSING |
| 12 | 35-3700 | 10 | TUB ASSEMBLY (PLASTIC) |
| 13 | 21001531 | 10 | TOP, TUB (PLASTIC) |
| 14 | 21001530 | 10 | BASE, AGITATOR |