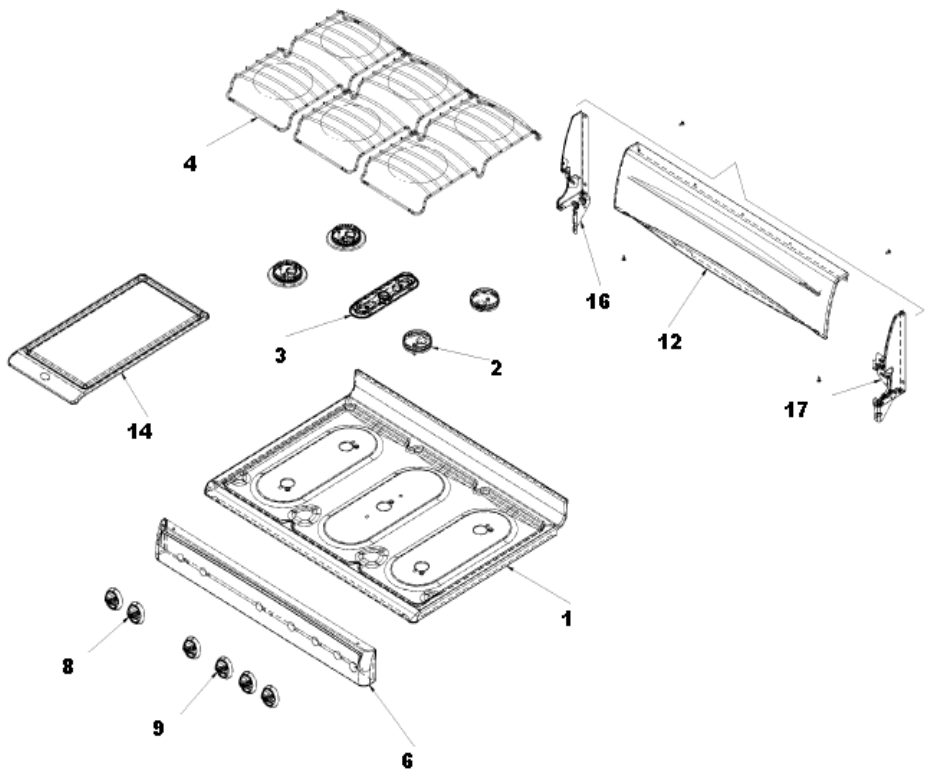


ACE3211KA0 CUBIERTA

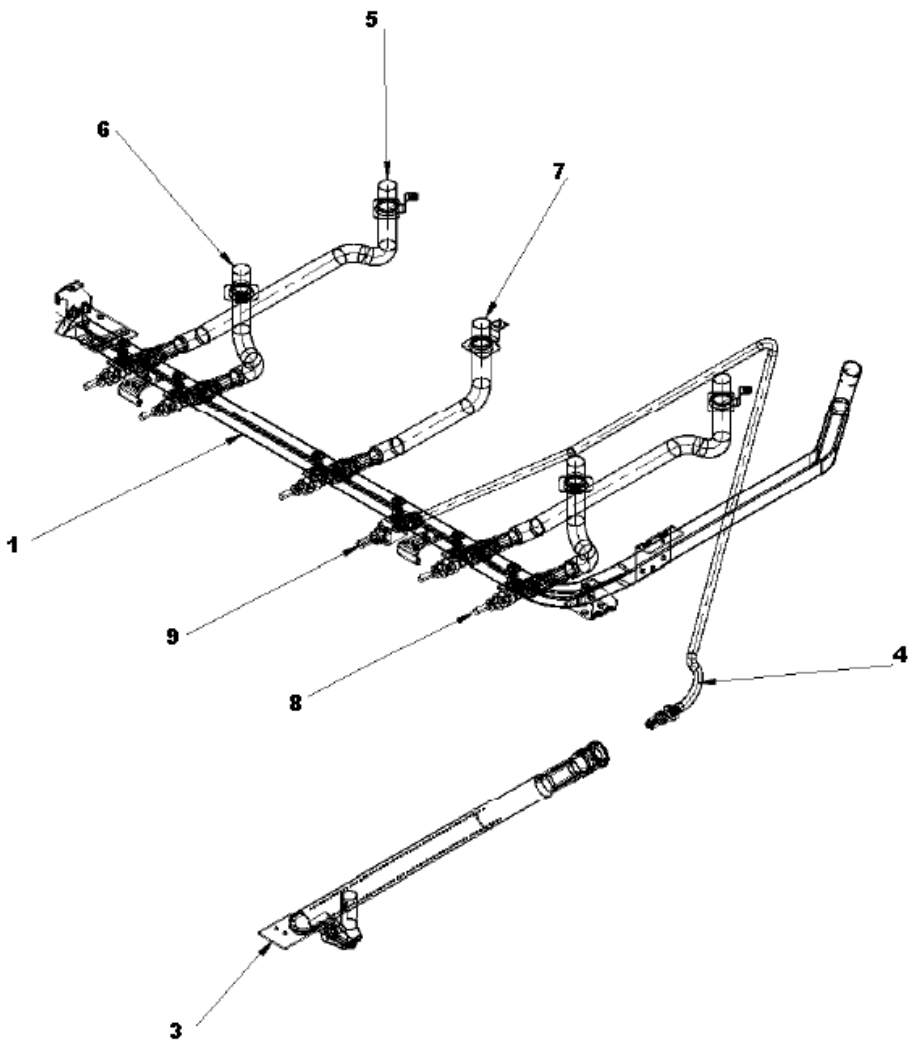




ACE3211KA0 CUBIERTA

| | | |
|----|-----------|--|
| 1 | 98009693 | CUBIERTA SUPERIOR (S/P) |
| 2 | 008901 | QUEMADOR ESTANDAR |
| 3 | 008920 | QUINTO QUEMADOR |
| 4 | 98010047 | PARRILLA CUBIERTA SUPERIOR (S/P) |
| 6 | 98013095 | FRENTE PERILLAS (S/P) |
| 8 | 98005027 | PERILLA VALVULA QUEMADOR SUPERIOR (S/P) |
| 9 | 98004816 | PERILLA VALVULA HORNO (S/P) |
| 12 | 98009574 | PANEL RESPALDO SUPERIOR (S/P) |
| 14 | 98013173 | COMAL (S/P) |
| 16 | 98015125N | REMATE RESPALDO SUPERIOR IZQ. (S/P) |
| 17 | 98015126N | REMATE RESPALDO SUPERIOR DER. (S/P) |
| 18 | 98012626 | PLACA MARCA (S/P) |

**ACE3211KA0 SISTEMA DE
COMBUSTION**

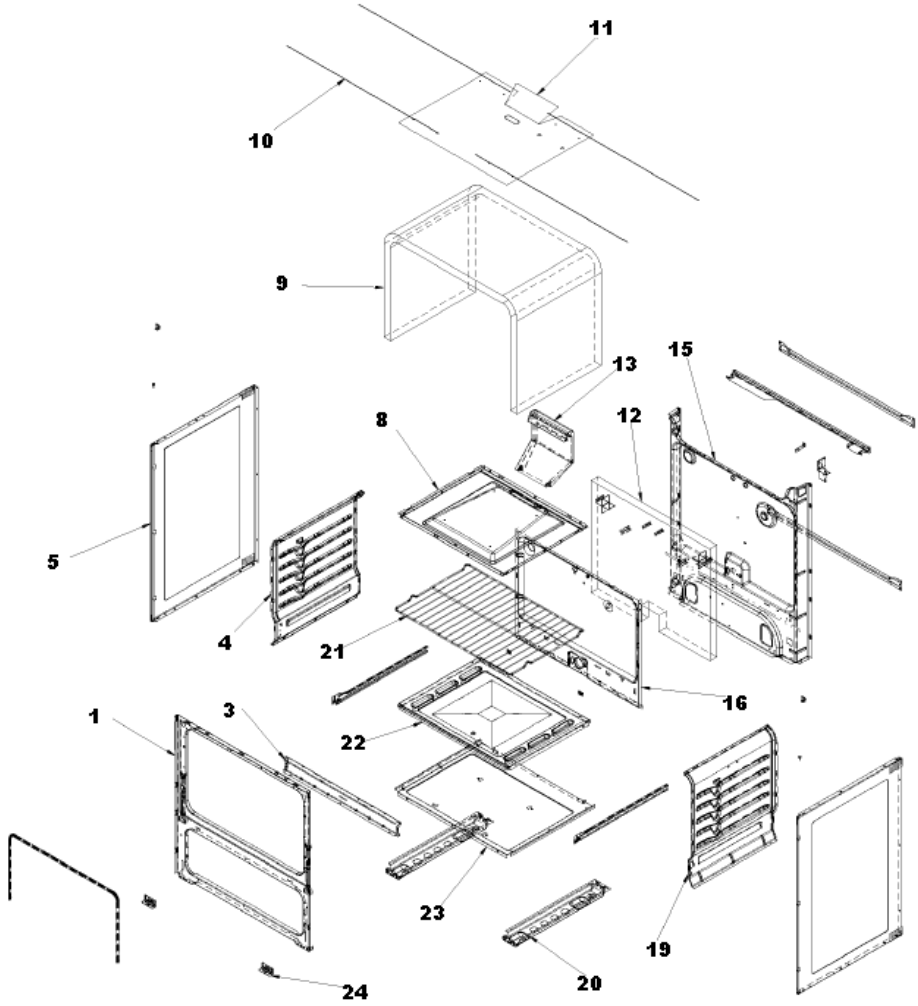




ACE3211KA0 SISTEMA DE COMBUSTION

| | | |
|----|----------|---|
| 1 | 98010771 | MANIFOLD ENSAMBLE (S/P) |
| 3 | 98013387 | QUEMADOR HORNO ENSAMBLE (S/P) |
| 4 | 98004307 | TUBO DOBLADO PARA QUEMADOR HORNO (S/P) |
| 5 | 6610244 | TUBO QUEMADOR SUPERIOR POSTERIOR (S/P) |
| 6 | 6610243 | TUBO QUEMADOR SUPERIOR FRONTAL (S/P) |
| 7 | 6610245 | TUBO QUEMADOR SUPERIOR CENTRAL (S/P) |
| 8 | 98005696 | VALVULA SEGURIDAD QUEMADOR SUPERIOR |
| 9 | 98010577 | VALVULA CONTROL HORNO |
| 10 | 98014528 | KIT CONVERSION GAS LP A GAS NATURAL (S/P) |
| 11 | 98015926 | KIT CONVERSION GAS GAS NATURAL A LP (S/P) |

ACE3211KA0 GABINETE

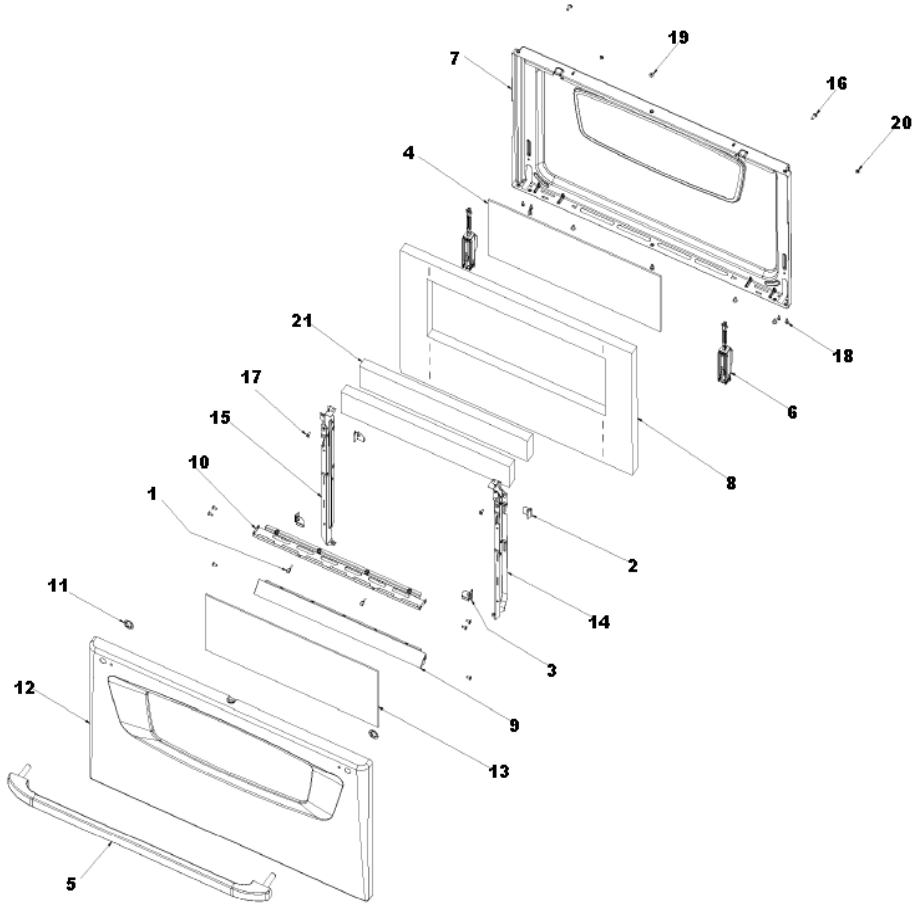




ACE3211KA0 GABINETE

| | | |
|----|----------|--------------------------------------|
| 1 | 98006750 | BASTIDOR FRONTAL ENSASMBLE (S/P) |
| 3 | 98012175 | SOPORTE QUEMADOR HORNO (S/P) |
| 4 | 98005757 | LATERAL DEL HORNO IZQ. (S/P) |
| 5 | 98010044 | PANEL LATERAL EXTERIOR (S/P) |
| 8 | 98004447 | TECHO HORNO (S/P) |
| 9 | 98014360 | AISLANTE TECHO Y LATERAL HORNO (S/P) |
| 10 | 98004294 | CABLE AISLANTE (S/P) |
| 11 | 98008025 | PROTECTOR SUPERIOR DE AISLANTE (S/P) |
| 12 | 98004286 | AISLANTE POSTERIOR (S/P) |
| 13 | 98003799 | CAJA CHIMENEA (S/P) |
| 15 | 98015100 | PANEL FONDO POSTEROR (S/P) |
| 16 | 98004442 | RESPALDO HORNO (S/P) |
| 19 | 98005758 | LATERAL DEL HORNO DER. (S/P) |
| 20 | 98003830 | BASE RIEL (S/P) |
| 21 | 98014135 | PARRILLA DE HORNO (S/P) |
| 22 | 98005588 | CHAROLA HORNO (S/P) |
| 23 | 98003847 | BASE (S/P) |
| 24 | 98007126 | PIE BASE RIEL (S/P) |

ACE3211KA0 PUERTA HORNO



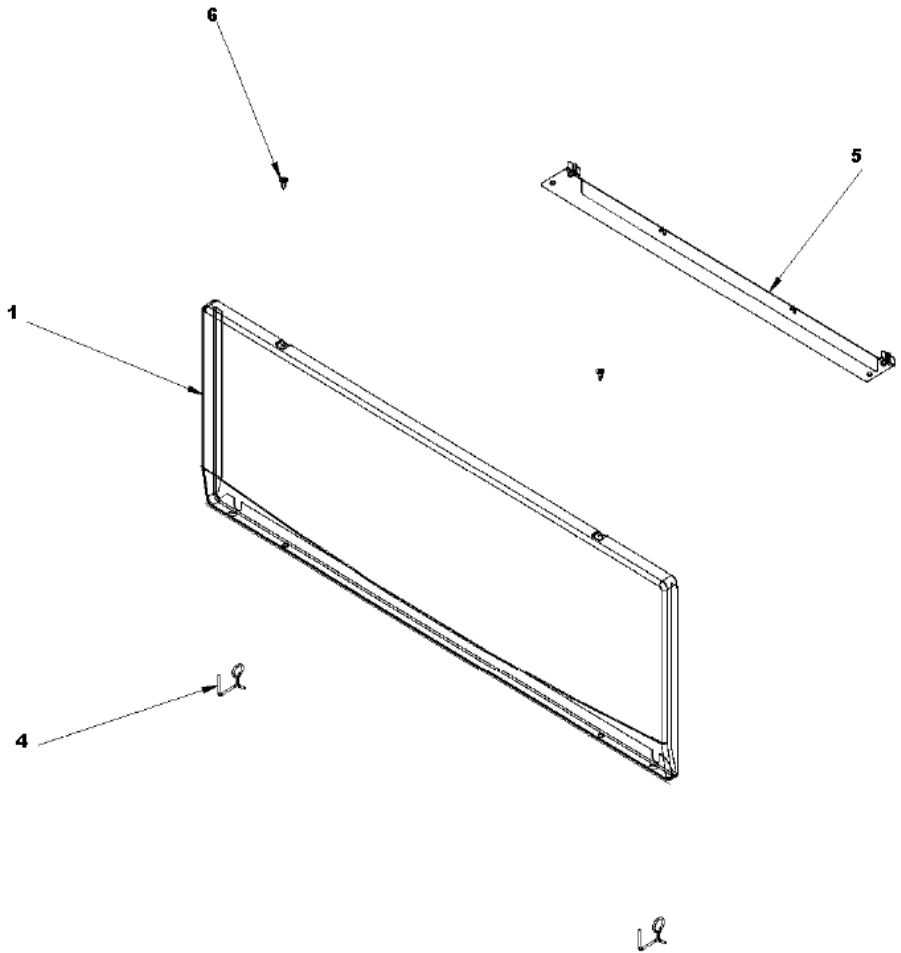


ACE3211KA0 PUERTA HORNO

| | | |
|----|----------|---|
| 1 | 98004979 | BUMPER (S/P) |
| 2 | 98004953 | CLIP GLASS RETAINER DER. (S/P) |
| 3 | 98004952 | CLIP GLASS RETAINER IZQ. (S/P) |
| 4 | 98011194 | VIDRIO INTERIOR HORNO (S/P) |
| 5 | 98004197 | JALADERA PUERTA HORNO (S/P) |
| 6 | 98004787 | BISAGRA ENSAMBLE (S/P) |
| 7 | 98010182 | PANEL INTERIOR PUERTA HORNO (S/P) |
| 8 | 98006753 | AISLANTE (FIBRA DE VIDRIO) (S/P) |
| 9 | 98012904 | SOPORTE DE FIBRA DE VIDRIO INFERIOR (S/P) |
| 10 | 98004938 | SOPORTE DE FIBRA DE VIDRIO SUPERIOR (S/P) |
| 11 | 98004650 | NUT-PUSH (S/P) |
| 12 | 98009478 | PANEL EXTERIOR PUERTA HORNO (S/P) |
| 13 | 98004894 | VIDRIO EXTERIO PUERTA HORNO (S/P) |
| 14 | 98004564 | SUJETADOR DER. PARA VIDRIO (S/P) |
| 15 | 98004629 | SUJETADOR IZQ. PARA VIDRIO (S/P) |
| 16 | 98008545 | TORNILLO (S/P) |
| 17 | 98004219 | TORNILLO (S/P) |
| 18 | 98004993 | TORNILLO (S/P) |
| 19 | 98006728 | TORNILLO (S/P) |
| 20 | 98008699 | TORNILLO (S/P) |
| 22 | 98009570 | PUERTA HORNO ENSAMBLE (S/P) |



ACE3211KA0 TAPA ASADOR





ACE3211KA0 TAPA ASADOR

| | | |
|---|----------|---|
| 1 | 98009327 | PANEL EXTERIOR PUERTA ASADOR (S/P) |
| 4 | 6610364 | PIN (S/P) |
| 5 | 98004616 | BRACKET PANEL (S/P) |
| 6 | 98006728 | TORNILLO (S/P) |