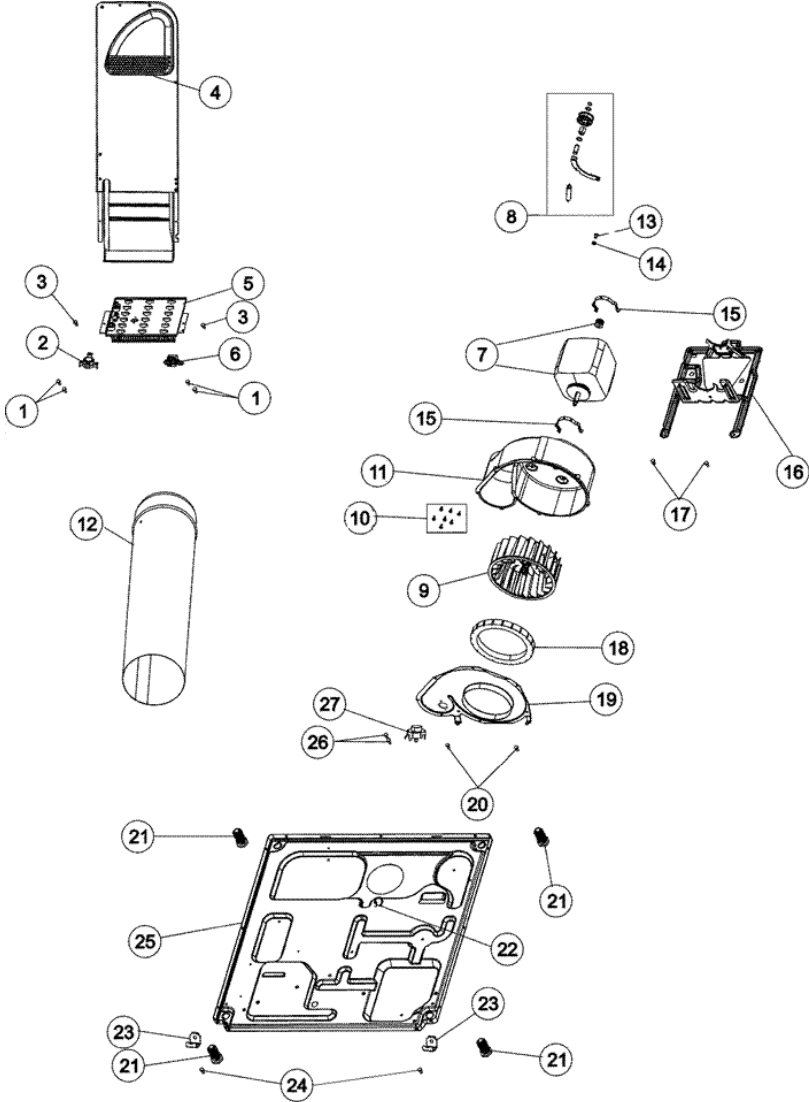


ADE7005AYW BASE

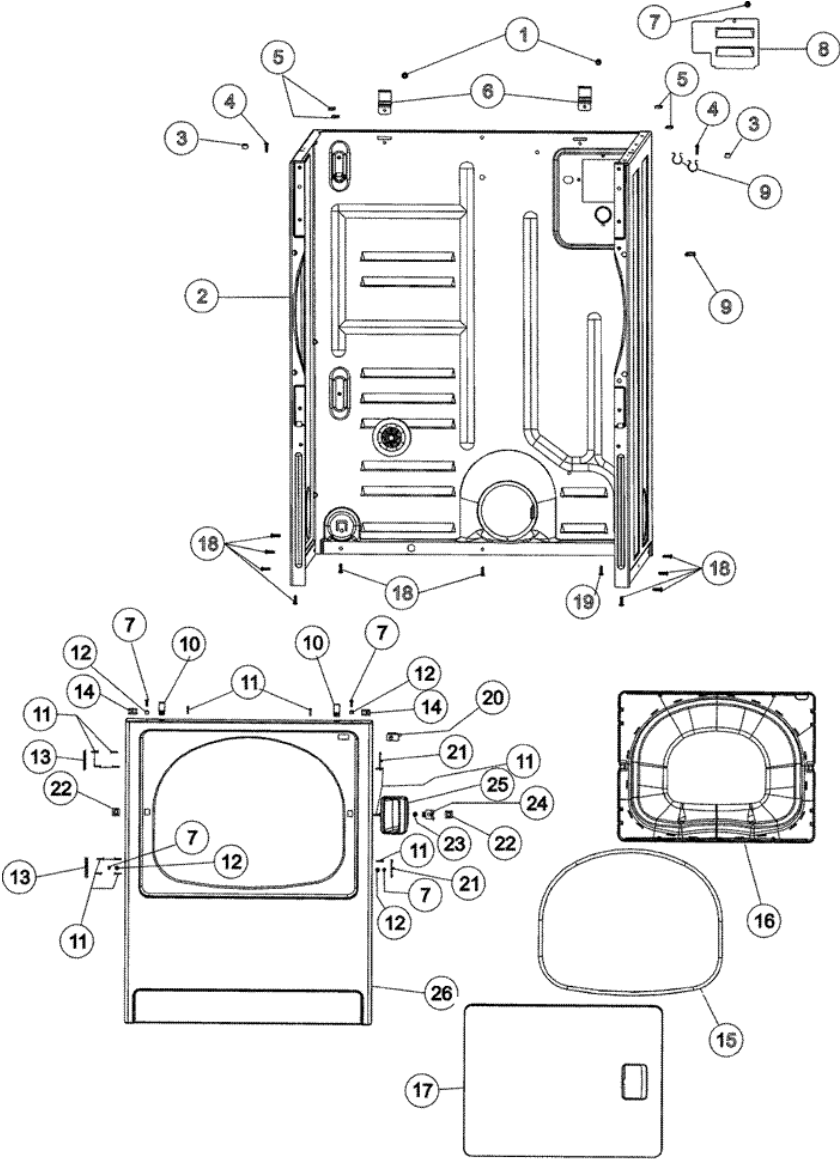




ADE7005AYW BASE

1	23222	SCREW, 8B-18 X 1/4 HE (S/P)
2	W10116735	THERMOSTAT, LIMIT (S/P)
3	503688	SCREW (S/P)
4	503605	ASSEMBLY, HEATER DUCT (S/P)
5	Y503978	HEATER ELEMENT
6	40113801	FUSE, THERMAL
7	2200376	MOTOR, PULLY
8	37001287	ASSY, IDLER LEVER/SHAFT/PULLEY
9	56000	ASSEMBLY, BLOWER FAN
10	31260	SCREW, No.8 X 3/8 IND H (S/P)
11	511969P	HOUSING, BLOWER (S/P)
12	505518	DUCT, EXHAUST (S/P)
13	500824	SCREW, 1/4-20 UNC HEX (S/P)
14	27001225	NUT, JAM MID LOCK 1/4-20 (S/P)
15	660658	CLAMP, MOTOR MOUNT (S/P)
16	503613	MOUNT, MOTOR (S/P)
17	27001200	SCREW (12-14X1/2 TYPE B (S/P)
18	37001119	SEAL, BLOWER HOUSING (S/P)
19	500078	COVER, BLOWER HOUSING
20	503688	SCREW (S/P)
21	500101	LEG, LEVELING (PLASTIC)
22	504034	CLIP, WIRE (S/P)
23	37001145	CLIP, FRONT PANEL (S/P)
24	27001200	SCREW (12-14X1/2 TYPE B (S/P)
25	37001156	DRYER BASE (S/P)
26	501086	SCREW, 8B-18X3/8 SLT (S/P)
27	37001136	THERMOSTAT, CYCLING 146F

ADE7005AYW GABINETE





ADE7005AYW GABINETE

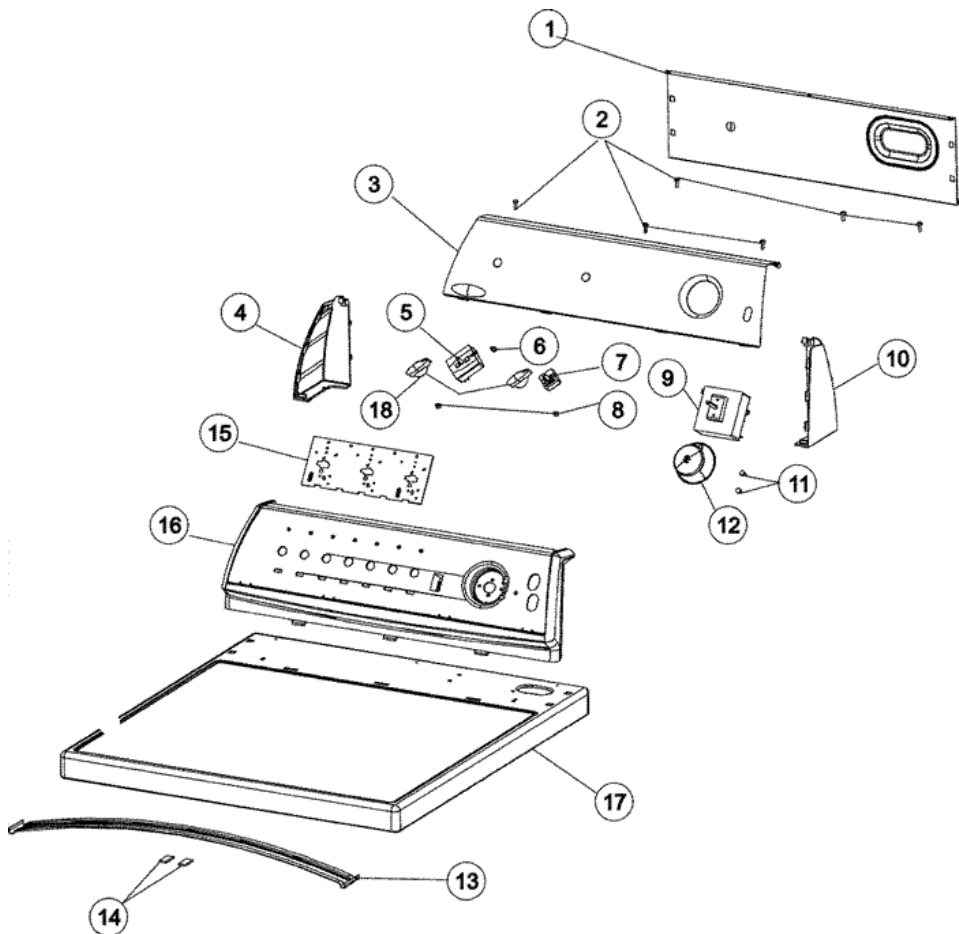
1	503688	SCREW (S/P)
2	37001284	CABINET, WHITEW/LOUVERS (S/P)
3	505187	LOCATOR, PANEL (S/P)
4	32671	SCREW, TAPPING (S/P)
5	Y56128	PAD, BUMPER (S/P)
6	500003	HINGE, TOP (S/P)
7	32671	SCREW, TAPPING (S/P)
8	503293	PLATE, ACCESS COVER (S/P)
9	504034	CLIP, WIRE (S/P)
10	25-7220	CLIP, CABINET TOP (S/P)
11	37001030	SCREW, No.8AB-16X3/4 FH (S/P)
12	505187	LOCATOR, PANEL (S/P)
13	Y503676	HINGE, DOOR & TOP (S/P)
14	213280	FRONT PANEL BRACKET/FASTENER (S/P)
15	504005	SEAL, FRONT PANEL (S/P)
16	37001028	SEAL & LINER, ASSY(INNER DOOR) (S/P)
17	37001029	DOOR, DRYER (WHT) (S/P)
18	27001200	SCREW (12-14X1/2 TYPE B (S/P)
19	20530	SCREW, 10-24X3/8 HEX (S/P)
20	33001508	SWITCH, DOOR
21	503126	PLUG, HINGE HOLE (S/P)
22	279570	CATCH, DOOR
23	500039	STRIKE, DOOR (METAL) (S/P)
24	40116201	BRACKET, DOOR STRIKE (S/P)
25	33001241	HANDLE, DOOR (WHT) (S/P)
26	37001154	FRONT PANEL - WHITE (S/P)

Distribuidor Autorizado

SurteRápido.com

Venta de Refacciones
Electrodomesticas

ADE7005AYW TABLERO





ADE7005AYW TABLERO

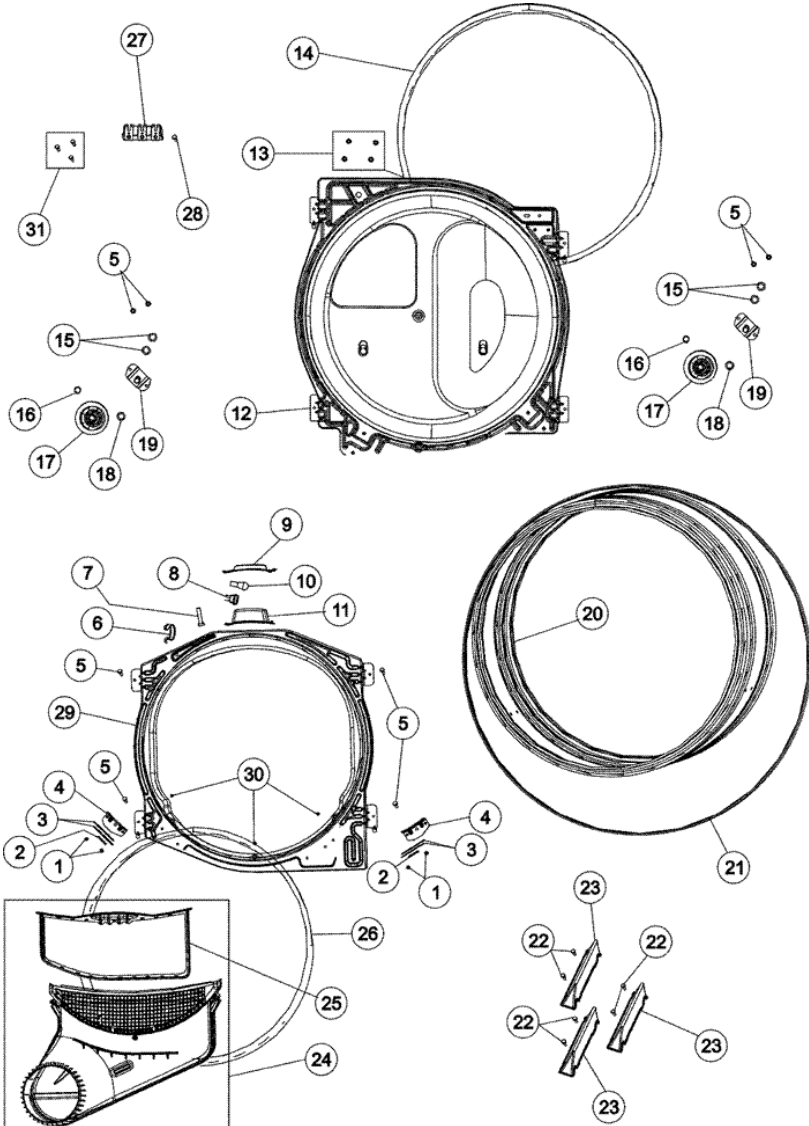
1	37001233	SHIELD, BACKGUARD (S/P)
2	21002224	SCREW (S/P)
3	37001219	FACIA (S/P)
4	21001546	ENDCAP, PANEL (LT-WHT) (S/P)
5	37001164	SWITCH, TEMP - 3 POSITION (S/P)
6	501086	SCREW, 8B-18X3/8 SLT (S/P)
7	31001190	SWITCH, TWO POSITION ROTARY (S/P)
8	31260	SCREW, No.8 X 3/8 IND H (S/P)
9	37001240	TIMER – DRYER
10	21001547	ENDCAP, PANEL (RT-WHT) (S/P)
11	37001031	SCREW, No.8-32X3/8`` HEX (S/P)
12	31001388	KNOB/SKIRT, TIMER (WHT)
13	500121	PAD, FELT-COIN (S/P)
14	56486	BRACE, TOP (S/P)
15	21001517	SHIELD, CONTROL (1 POS.) (S/P)
16	21001552	FRAME (WHT), CONTROL PANEL (S/P)
17	37001283	COVER, TOP - WHITE/DRYER (S/P)
18	21001544	KNOB, SELECTOR (WHT) (S/P)
19	53-1639	BUZZER ASSY. (S/P)

Distribuidor Autorizado

SurteRápido.com

Venta de Refacciones
Electrodomesticas

ADE7005AYW TAMBOR





ADE7005AYW TAMBOR

1	37001031	SCREW, No.8-32X3/8`` HEX (S/P)
2	500121	PAD, FELT-COIN (S/P)
3	37001298	GLIDE, CYLINDER(TAN)
4	37001036	BRACKET, CYLINDER GLIDE (S/P)
5	503661	SCREW, 10-16X.44 UNS (S/P)
6	504034	CLIP, WIRE (S/P)
7	505295	SCREW, No.8AB-16X3/4 PH (S/P)
8	Y504452	HOLDER, LAMP (S/P)
9	40094301	LENS, LIGHT (S/P)
10	67001316	LIGHT, CYLINDER (S/P)
11	Y504452	HOUSING, CYLINDER LIGHT (S/P)
12	502614WP	BULKHEAD, REAR (WHT) (S/P)
13	503688	SCREW (S/P)
14	37001132	SEAL, CYLINDER
15	52549	WASHER, 501 ID X3/4 ODX (S/P)
16	23748	RING, RETAINING (S/P)
17	37001042	ASSEMBLY, CYLINDER ROLLER
18	Y504082	WASHER, WAVE (S/P)
19	40113601	ASSY, ROLLER BRKT
20	504467W	ASSEMBLY, CYLINDER (WHT) (S/P)
21	40111201	BELT, CYLINDER
22	Y62588	SCREW, 10BT-12 X 1 TAP (S/P)
23	37001125	BAFFLE, (WHT) (S/P)
24	37001141	AIR DUCT ASSEMBLY (S/P)
25	37001142	FILTER, LINT
26	37001132	SEAL, CYLINDER
27	61923	BLOCK, TERMINAL (S/P)
28	501285	SCREW, No.12 X 9/16 (S/P)
29	503616WP	ASSY, BLKHD FRONT LIT (WHT) (S/P)
30	37001030	SCREW, No.8AB-16X3/4 FH (S/P)
31	37001300	SCREW PKG, TERMINAL BLOCK (S/P)