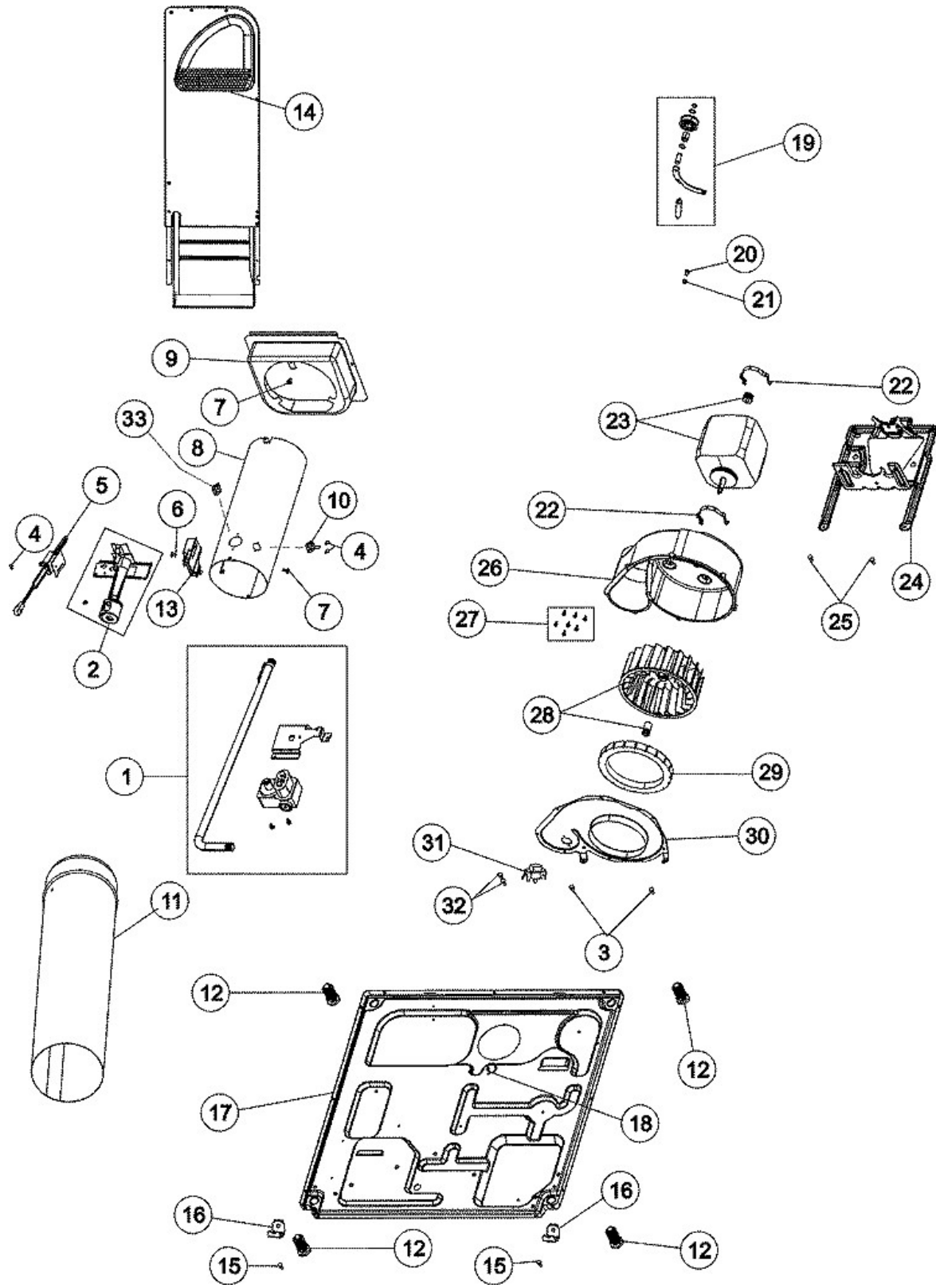




SECADORA ADG7005AWW



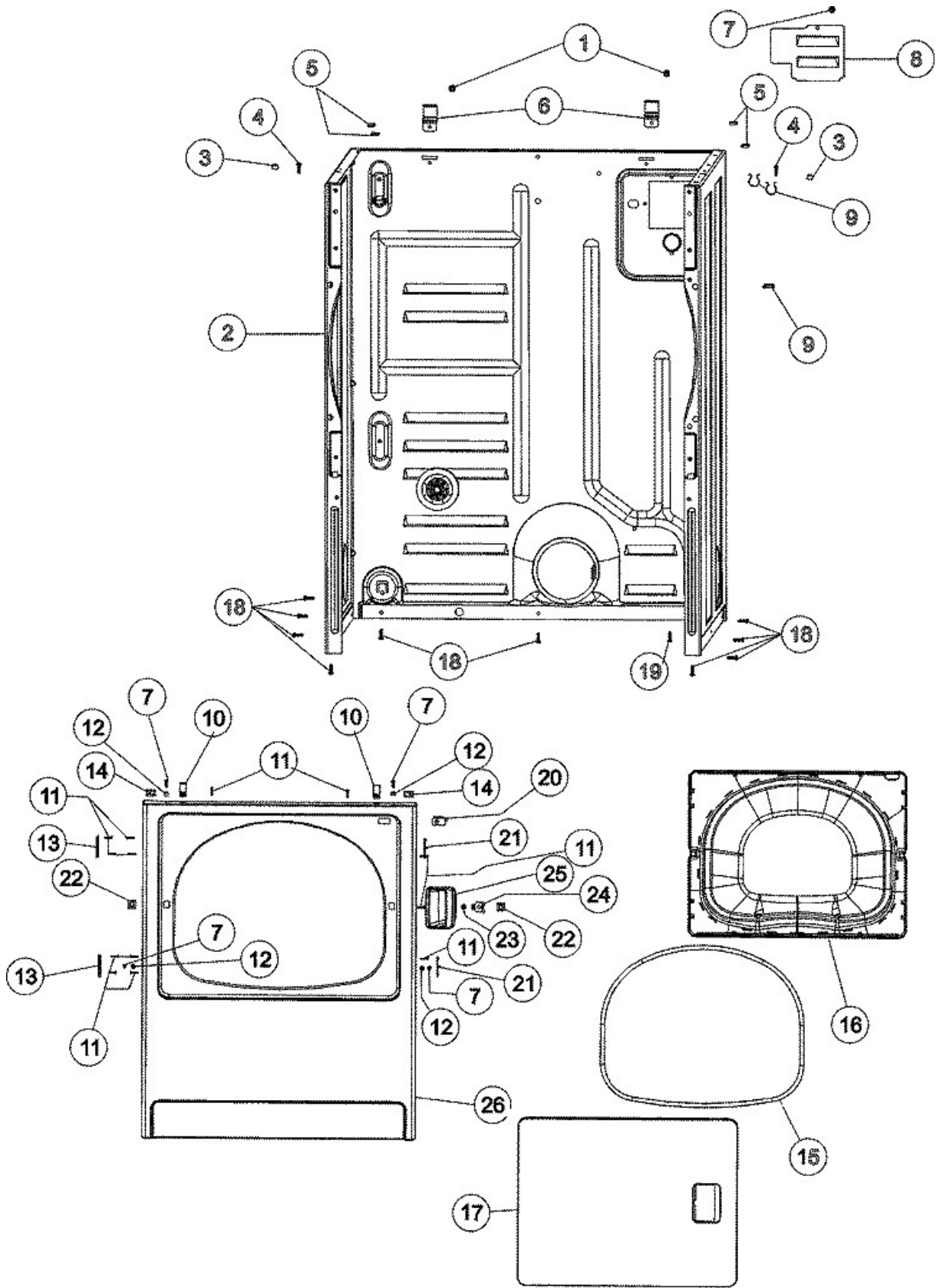


SECADORA ADG7005AWW

Guía	Número de parte	Descripción
1	Gas Valve and Pipe Kit	37001127
2	LP To Natural Conversion Kit	650P3
2	NATURAL TO LP CONVERSION KIT	649P3
2	USE WPL 37001304	Y56234
3	Screw, 8-18 x 1/2	WP3390631
4	Screw	WP8281196
5	Igniter	WP37001308
6	Screw	WP3177991
7	Screw, 8-18 x 1/2	WP3390631
8	DUCT- COMB	37001303
9	SHROUD, HEAT DUCT	500122
10	Limit Thermostat	Y61886
11	DUCT- EXHA	505518
12	LEG- LEVEL	Y500101
13	Dryer Radiant Flame Sensor	WP338906
14	Heater Duct Assembly	503605
15	Screw - 12-14 x 1/2 Type B	WP27001200
16	CLIP- FRON	37001145
17	DRYER BASE	37001156
18	CLIP- WIRE	504034
19	Dryer Idler Assembly	WP37001287
20	Hex Screw - 1/4-20	500824
21	Dryer Nut	WPW10139757
22	Clamp-Motor	WP660658
23	Motor Assembly - Threaded Shaft	WP2200376
24	MOUNT- MOT	503613
25	Screw - 12-14 x 1/2 Type B	WP27001200
26	HOUSING- B	56020
28	Blower Wheel	56000
29	SEAL- BLOW	37001119
30	COVER- BLO	500078
31	Cycling Thermostat	WP37001136
32	SCREW	31260
33	High Limit Thermal Fuse	WP40113801



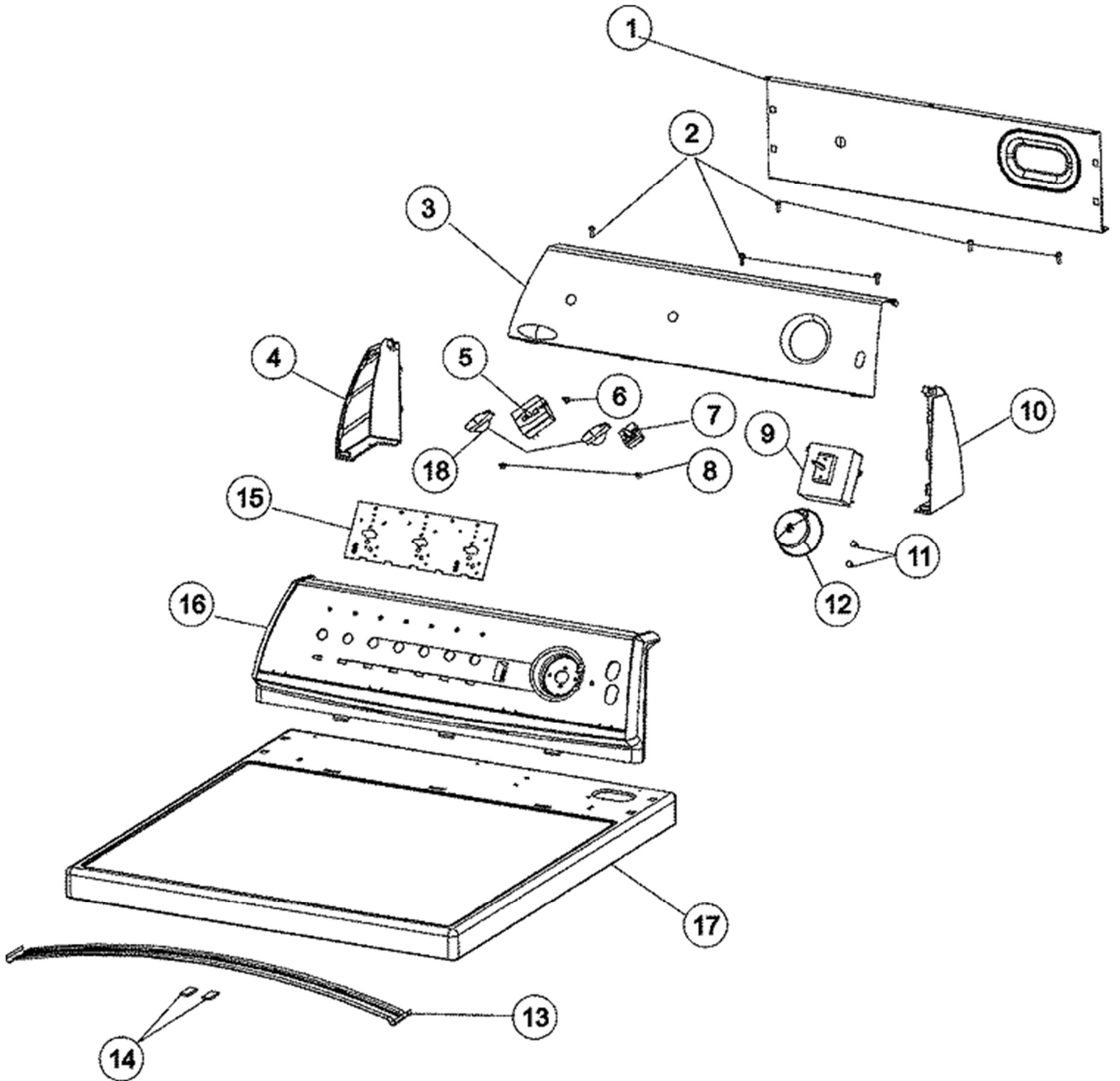
SECADORA ADG7005AWW





SECADORA ADG7005AWW

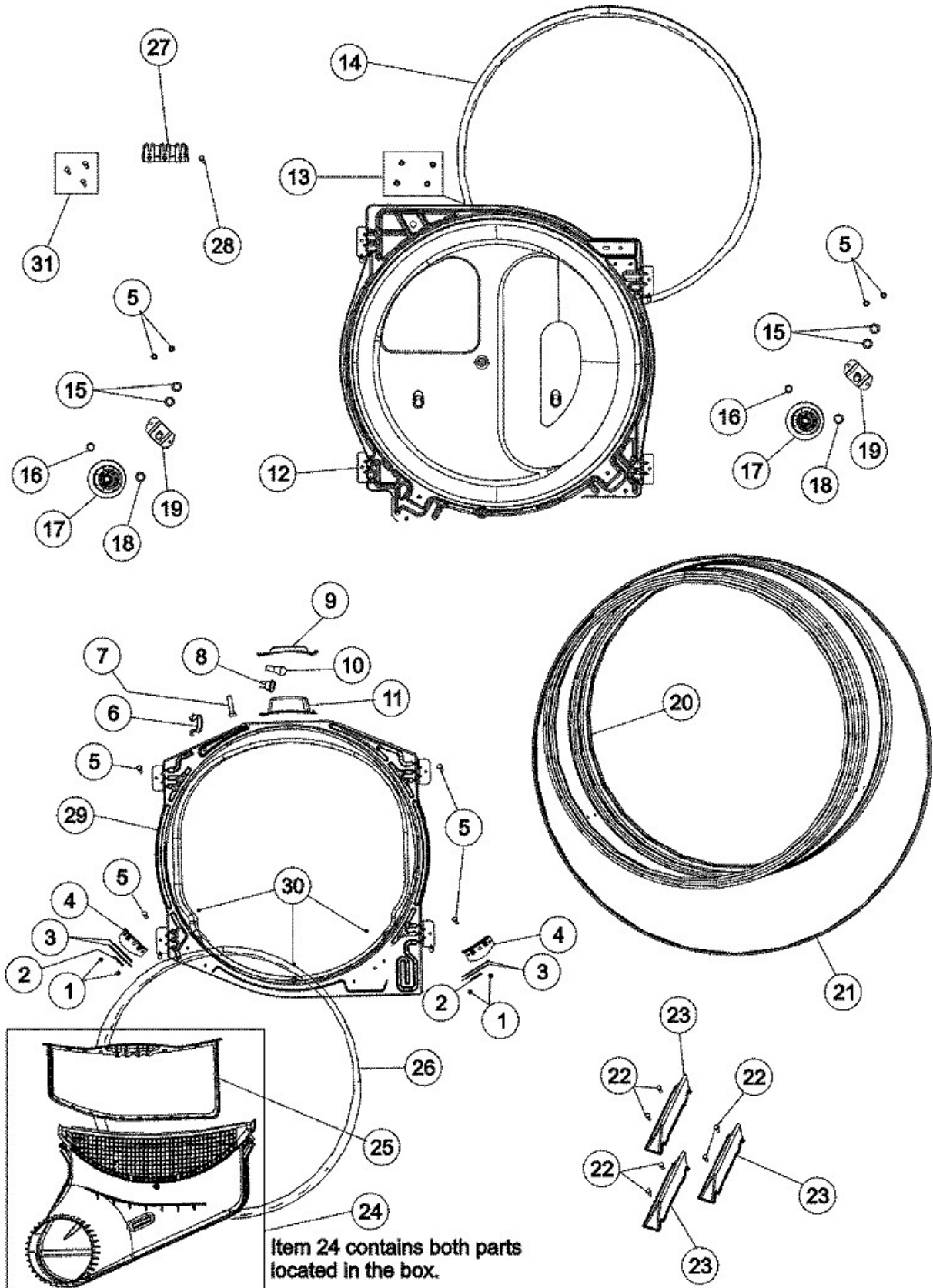
Guía	Número de parte	Descripción
1	Screw, 8-18 x 1/2	WP3390631
2	CABINET AS	37001284
3	LOCATOR- P	505187
4	Screw	WPY014874
5	PAD- BUMPE	Y56128
6	HINGE- TOP	500003
7	Screw	WPY014874
8	PLATE- ACC	503293
9	CLIP- WIRE	504034
10	Cabinet Top Clip	WP25-7220
11	SCREW	37001030
12	LOCATOR- P	505187
13	HINGE- DOO	Y503676
14	Screw & Fastener Kit - Front Panel	204439
15	Front Panel Seal	504005
16	SEAL LIN	37001028
17	Door - White	37001029
18	Screw - 12-14 x 1/2 Type B	WP27001200
19	Screw, Ground	WP3351614
20	Door Switch Kit	W10169313
21	PLUG- HING	503126
22	Door Catch Kit	LA-1003
23	Metal Door Strike	WP500039
24	Door Strike Bracket	40116201
25	Door Handle - White	33001241
26	FRONT PANE	37001154





SECADORA ADG7005AWW

Guía	Número de parte	Descripción
1	SHIELD- BA	37001233
2	Screw, 8-18 x 1/2	WP3400888
3	PANEL-CNTL	37001219
4	Endcap Panel	21001546
5	Temperature Switch	WP37001164
6	Screw, 8/18 x 3/8	WP90767
7	SWITCH-CYC	31001190
8	SCREW	31260
9	Dryer Timer	WP37001240
10	ENDCAP- PA	21001547
11	Screw	WP489128
12	Timer Knob	WP31001388
13	Single Drum Glide Felt Pad	WP500121
14	BRACE- TOP	56486
15	SHIELD- CO	21001517
16	FRAME WHT	21001552
17	TOP AS PAC	37001283
18	Selector Knob	21001544
19	BUZZER ASY	53-1639



Item 24 contains both parts located in the box.

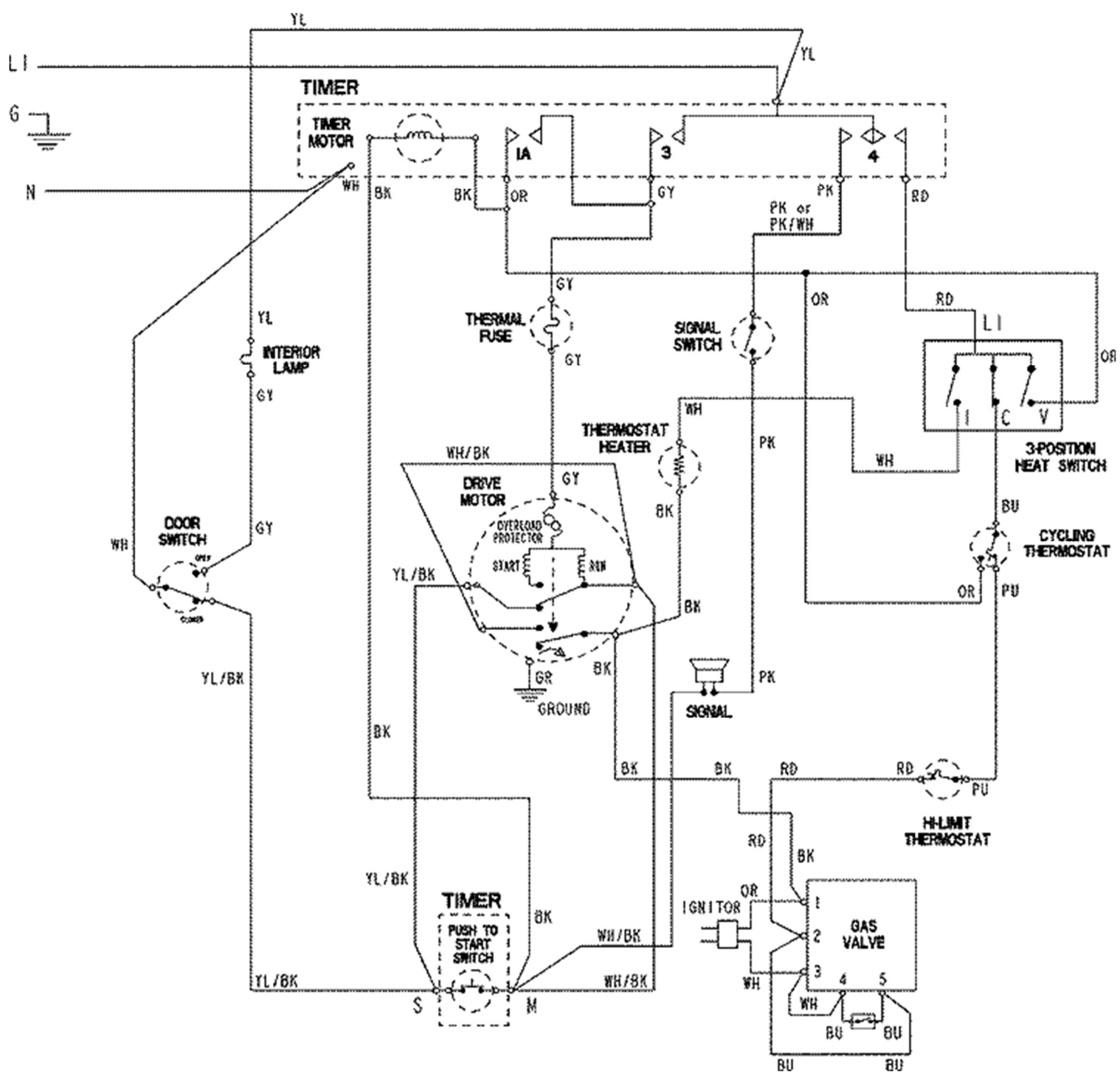


SECADORA ADG7005AWW

Guía	Número de parte	Descripción
1	Screw	WP489128
2	Single Drum Glide Felt Pad	WP500121
3	Drum Glide	WP37001298
4	Cylinder Glide Bracket	WP37001036
5	Screw - 12-14 x 1/2 Type B	WP27001200
6	CLIP- WIRE	504034
7	SCREW	W10815455
8	LIGHT-ASM	Y504452
9	Light Lens/Cover	40094301
10	Light Bulb - 7W	W10857122
11	LIGHT-ASM	Y504452
12	BULKHEAD	502614WP
13	Screw, 8-18 x 1/2	WP3390631
14	Cylinder Felt Seal	WP37001132
15	Thrust Washer	WP233520
16	Retaining Ring	WP23748
17	Drum Support Roller	WP37001042
18	Wave Washer	Y504082
19	Drum Support Roller and Shaft Assembly	WP40113601
20	Drum Cylinder	504467WP
21	Multi Rib Belt	WP40111201
22	SCREW	Y62588
23	USE WPL 12002559	12002433
24	Lint Duct Assembly	37001141
25	Lint Filter	WP37001142
26	Cylinder Felt Seal	WP37001132
27	Terminal Block	WP61923
28	SCREW	501285
29	Bulkhead	WP503616WP
30	SCREW	37001030
31	SCREW	37001300
*	NATURAL TO LP CONVERSION KIT	649P3
*	LP To Natural Conversion Kit	650P3
*	KIT-EXHST	WP528P3
*	RACK-DRY	Y504105A



SECADORA ADG7005AWW



BENITO JUÁREZ #1500 GPE ZITON, CD. GUADALUPE NUEVO LEÓN TEL: 8183377999 Y 49
HORARIOS: LUNES A VIERNES 8:30 A 6:00 PM Y SÁBADOS DE 8:30 A 2:00 PM
www.denek.com