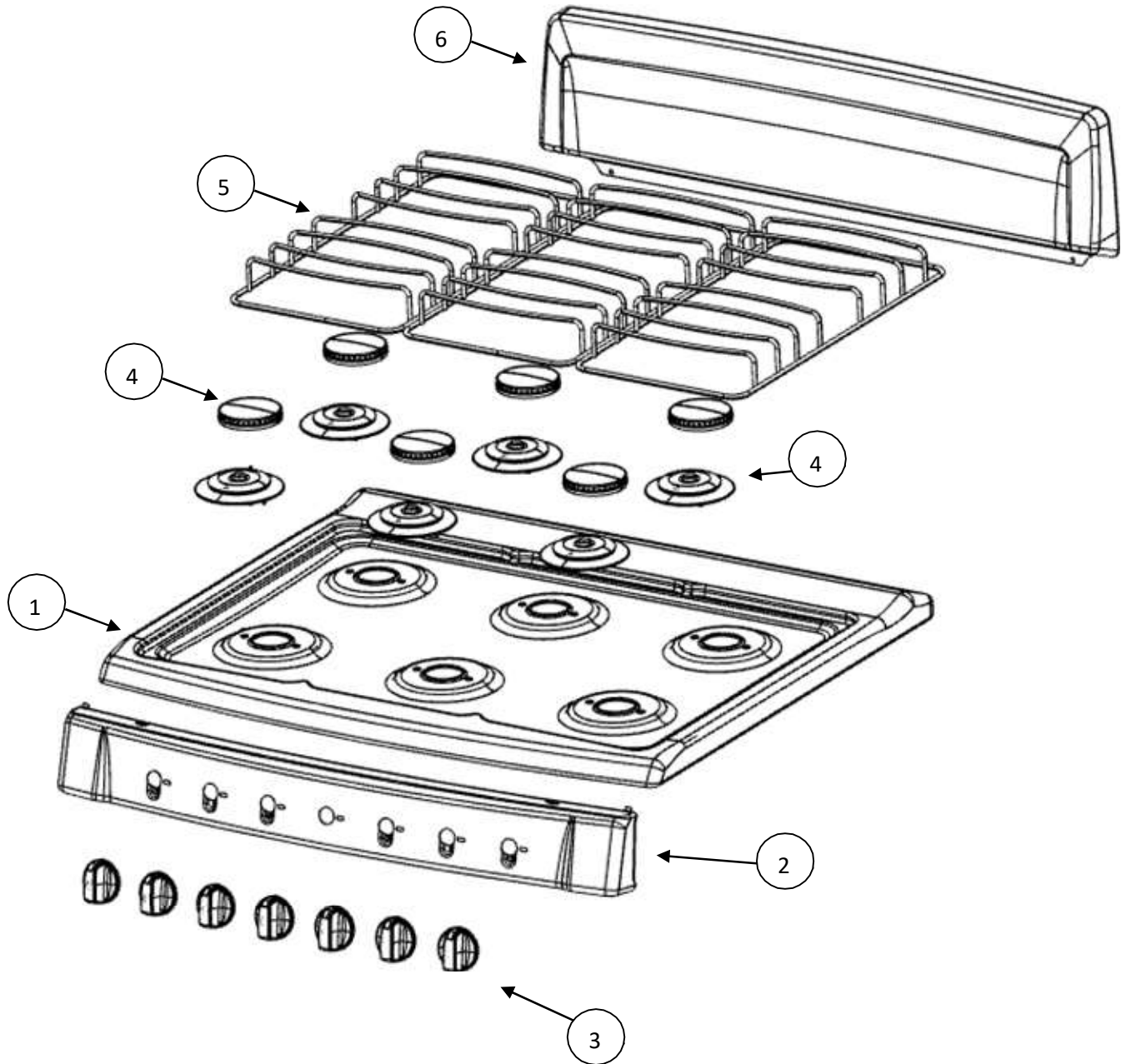




EXPLOSIONADO DE PARTES — ESTUFA NACIONAL —

MODELO | AF5001B01

ESTUFA AF5001B01

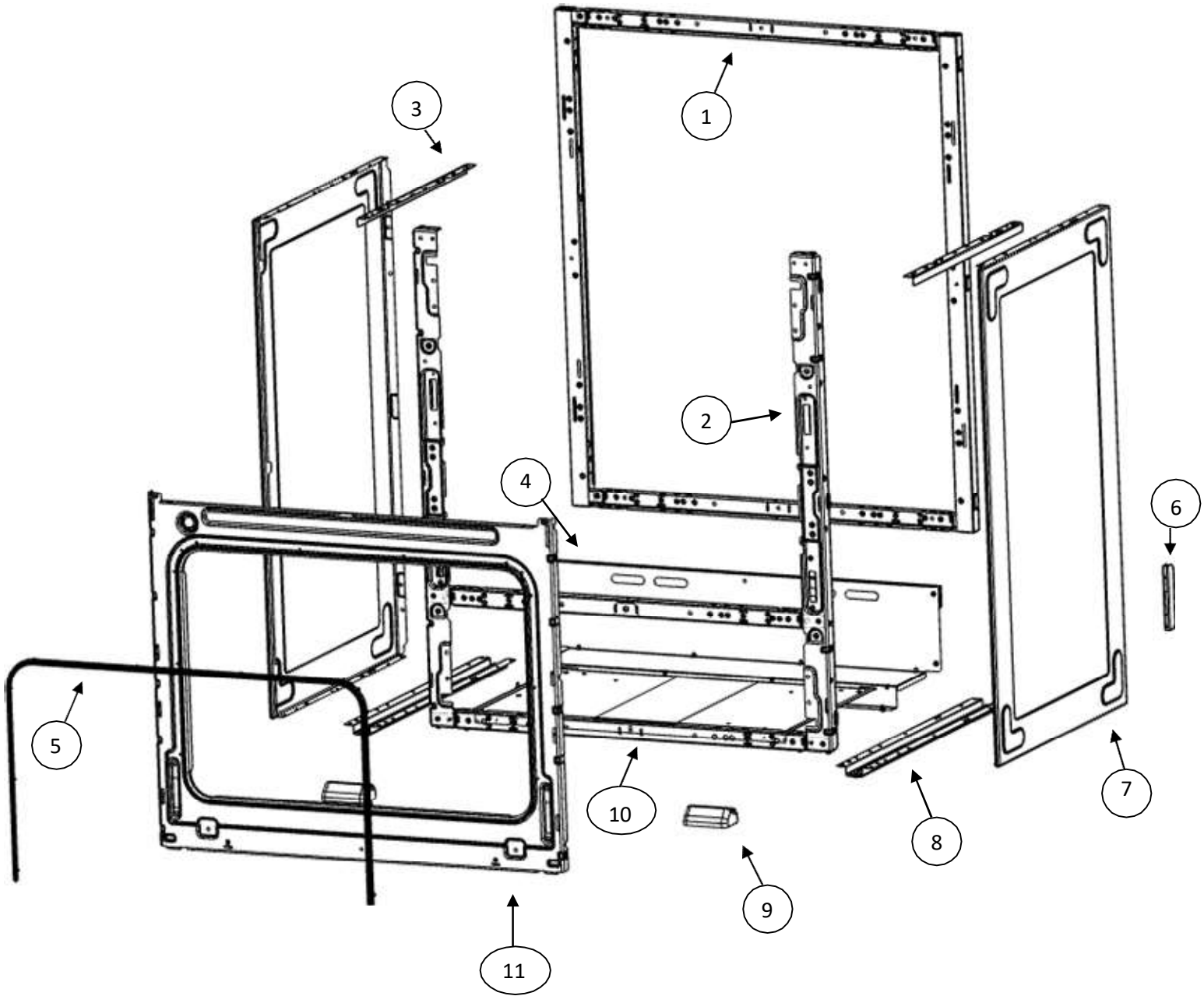




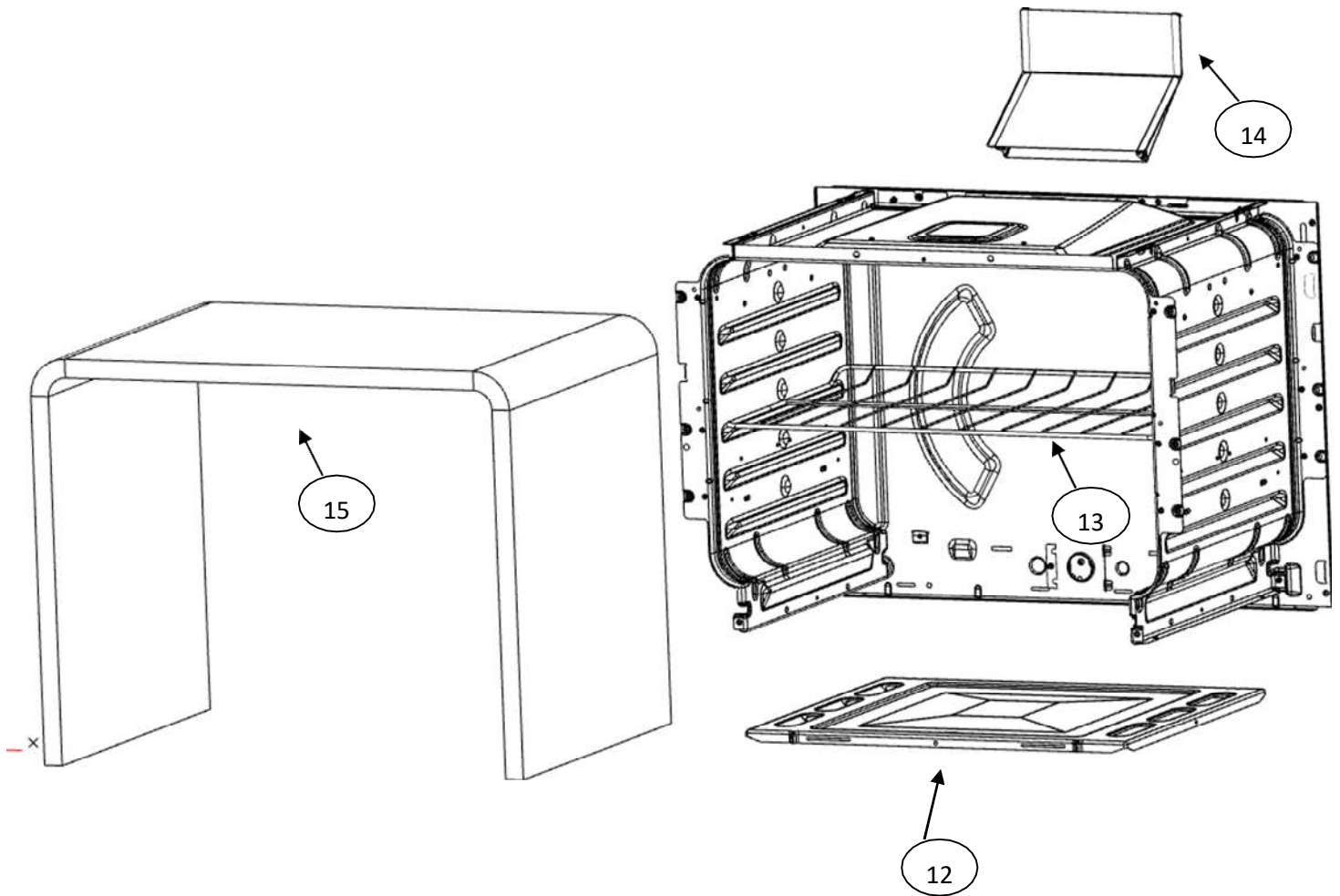
ESTUFA AF5001B01

<u>No. Ilus.</u>	<u>DESCRIPCIÓN</u>	<u>Cant.</u>	<u>No. de Parte</u>
1	COOKTOP	1	W10502226
2	MANIFOLD PANEL	1	W10817073
3	SINGLE KNOB BLACK	7	W10836388
4	BURNER ASSY FIN	6	W10638474
5	ECONOMIC GRATE	3	W10523624
6	BACKGUARD	1	W10583903

ESTUFA AF5001B01



ESTUFA AF5001B01

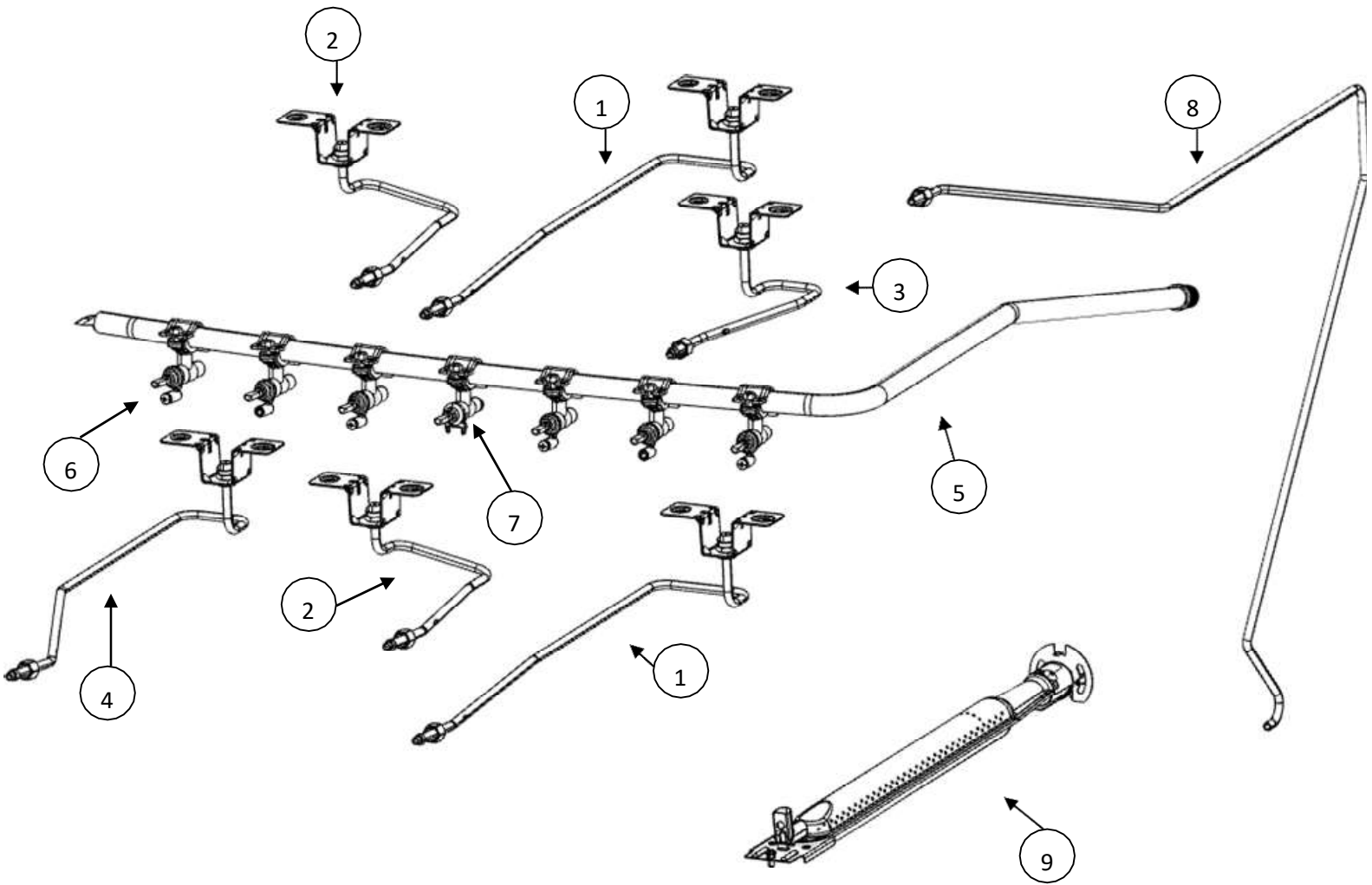




ESTUFA AF5001B01

No. Ilus.	<u>DESCRIPCIÓN</u>	<u>Cant.</u>	<u>No. de Parte</u>
1	REAR FRAME	1	W10500814
2	FRONT VERTICAL PILLAR	2	W10354862
3	TOP SIDE PANEL	2	W10577312
4	BROILER BACK OVEN	1	W10515063
5	SEAL OVEN DOOR	1	W10759584
6	COUNTER SUPPORT	2	W10545681
7	SIDE PANEL	2	W10327260
8	BASE RAIL	2	W10446524
9	BASE CORNER FRONT	2	W10596641
10	CROSS SUPPORT	2	W10327223
11	FRONT FRAME	1	W10448073
12	OVEN BOTTOM	1	W10764694
13	OVEN RACK	1	W10550642
14	FLUE BOX ASM	1	W10742507
15	OVEN WRAPPER	1	W10364807

ESTUFA AF5001B01

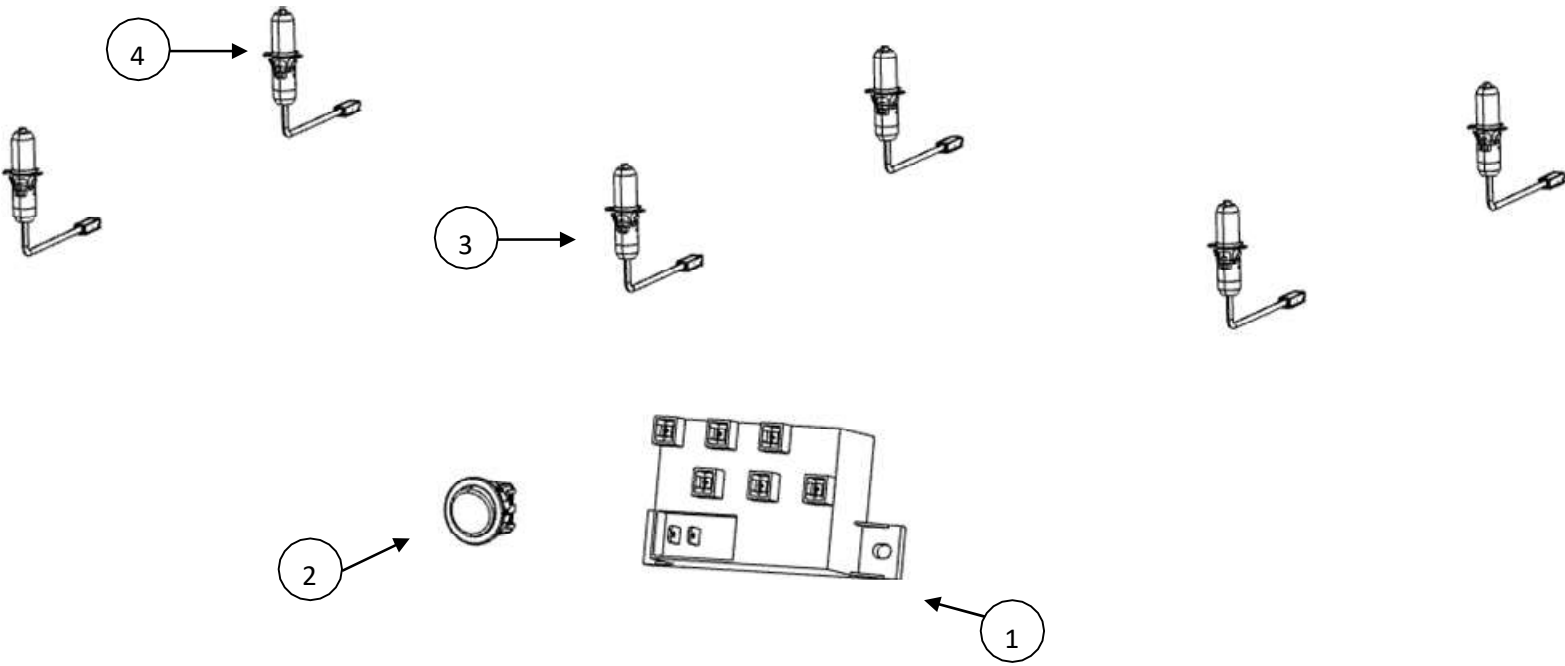




ESTUFA AF5001B01

No. Ilus.	DESCRIPCIÓN	Cant.	No. de Parte
1	REAR TUBING ASM STD	2	W10540693
2	FRONT TUBING ASM STD	2	W10540691
3	FRONT TUBING STD	1	W10543564
4	REAR TUBING STD	1	W10543562
5	MANIFOLD TUBE ASSY	1	W10491708
6	VALVE SURF ZAMAK TUB.STD PROP	6	W10452660
7	VALVE THERMOC. 5 POS. PROPANE	1	W10452676
8	TUBING OVEN BURNER ASSY	1	W10647683
9	OVEN BURNER ASSY	1	W10646982
**	KIT CONV NG	**	W10613661
**	KIT CONV LP	**	W10613664

ESTUFA AF5001B01

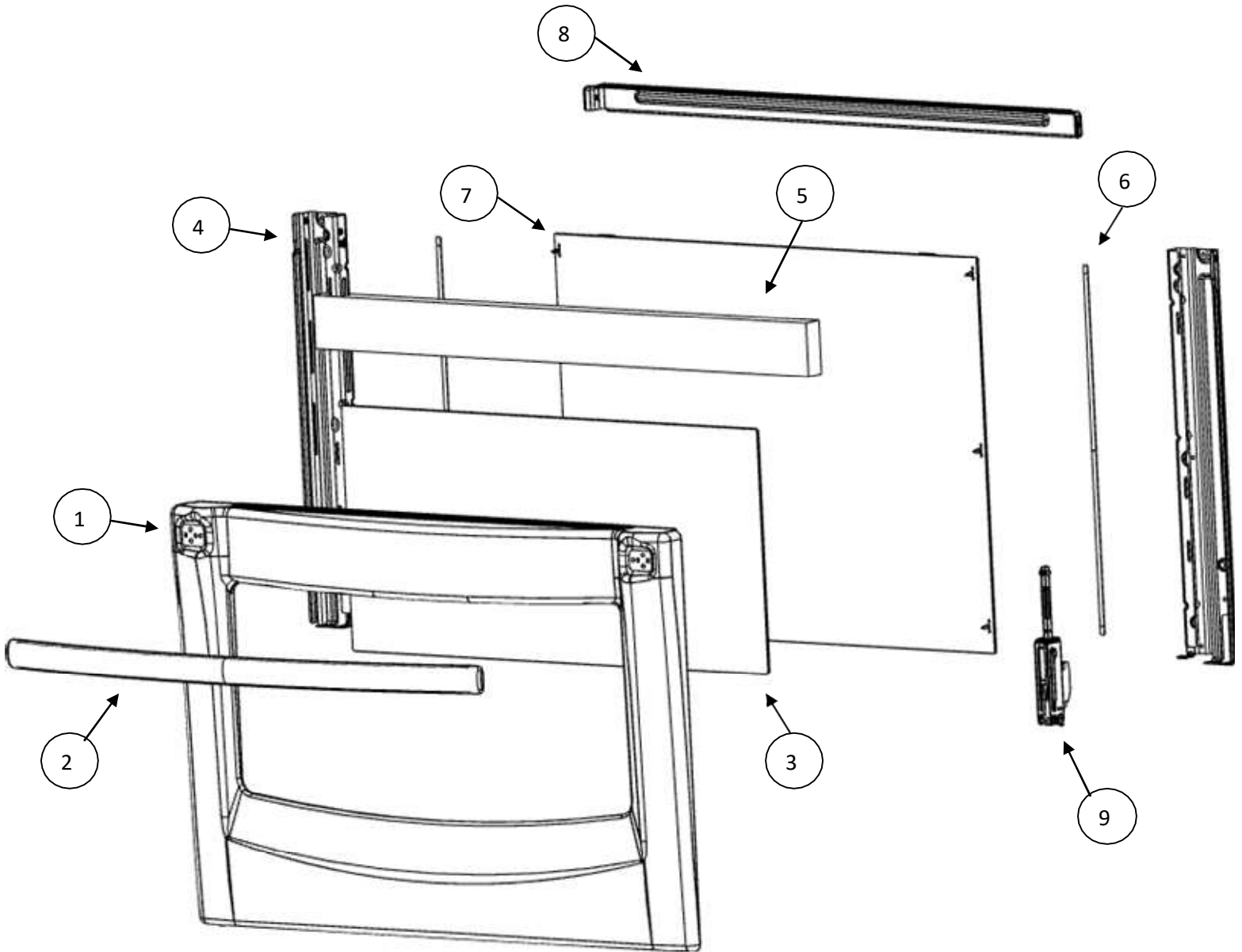




ESTUFA AF5001B01

No. Ilus.	DESCRIPCIÓN	Cant.	No. de Parte
1	SPARK MODULE 6 POS.	1	W10455035
2	TWO STEP IGNITION SU.SWITCH	1	98011566
3	TOP ELECTRODE	2	98014752
3.1	TOP ELECTRODE	2	98014849
3.2	TOP ELECTRODE	1	98014850
3.3	TOP ELECTRODE 740MM	1	W10273877
4	CLIP ELECTRODE	6	W10278150

ESTUFA AF5001B01





ESTUFA AF5001B01

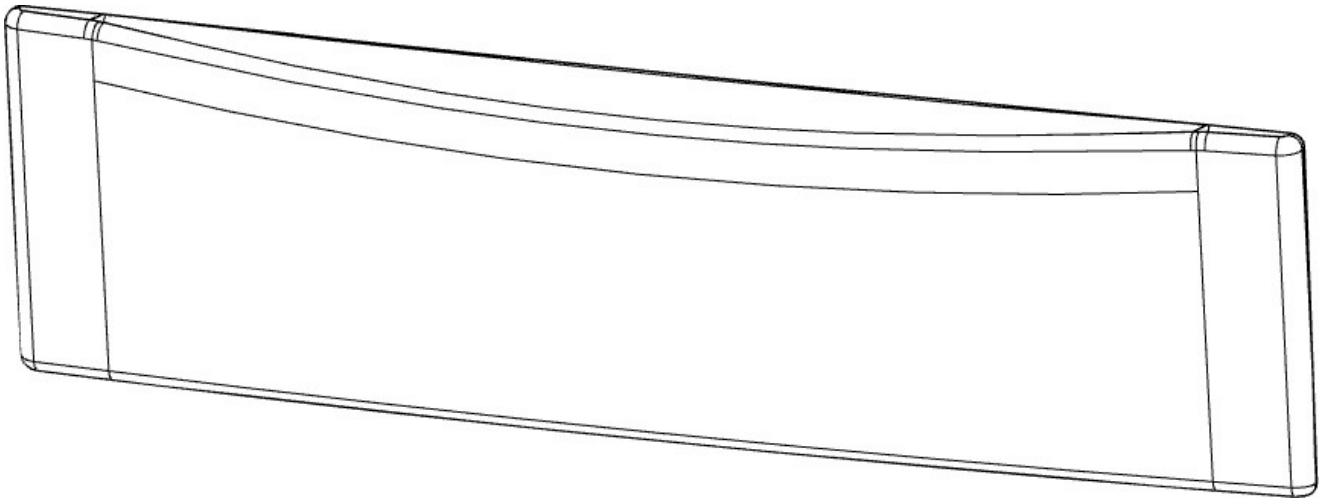
No. Ilus.	DESCRIPCIÓN	Cant.	No. de Parte
1	OUTER PANEL OVEN DOOR	1	W10577842
2	OVEN DOOR HANDLE	1	W10552345
3	OUTER DOOR GLASS	1	W10507547
4	OVEN DOOR PILLAR LEFT	1	W10540454
4.1	OVEN DOOR PILLAR RIGHT	1	W10540452
5	OVEN DOOR FIBER GLASS	1	W10646495
6	INNER GLASS SEAL	2	W10292266
7	INNER GLASS OVEN DOOR	1	W10828688
8	TOP TRIM DOOR ASSY	1	W10608322
9	OVEN DOOR HINGE	2	98017875
**	OVEN DOOR ASSY	**	W10824797

Distribuidor Autorizado

SurteRápido.com

Venta de Refacciones
Electrodomesticas

ESTUFA AF5001B01





ESTUFA AF5001B01

No. Ilus.	DESCRIPCIÓN	Cant.	No. de Parte
1	KIT BROILER LID BLACK	1	W10568307

KIT DE CONVERSION GAS NATURAL:	W10613661	
Componentes a solicitar:	W10614045 (1)	REAR TUBE ASM LEFT
	W10614048 (2)	FRONT TUBE ASM LEFT / FRONT TUBE ASM CENTRAL
	W10614051 (2)	REAR ASM TUBE CENTRAL / REAR TUBE ASM RIGHT
	W10614053 (1)	FRONT TUBE ASM RIGHT
	W10539375 (1)	ORIFICE OVEN BURNER
	W10452677 (1)	THERMOCONTROL
	W10452673 (6)	VALVE FOR STD BURNER