

Whirlpool
CORPORATION

CENTRO DE SOLUCIONES



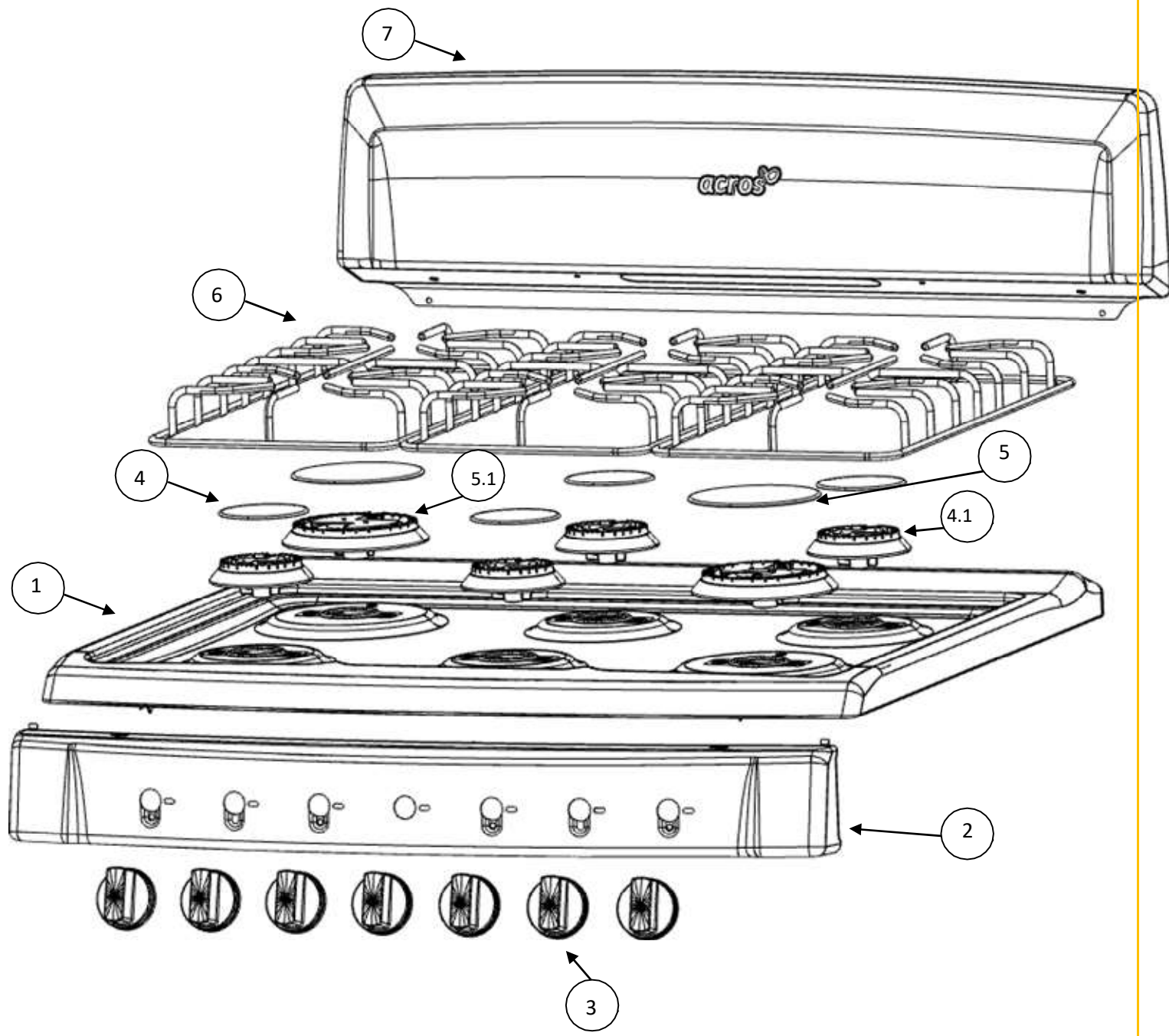
LO ORIGINAL MARCA DIFERENCIA

EXPLOSIONADO DE PARTES

— ESTUFA NACIONAL —

MODELO | AF5333D

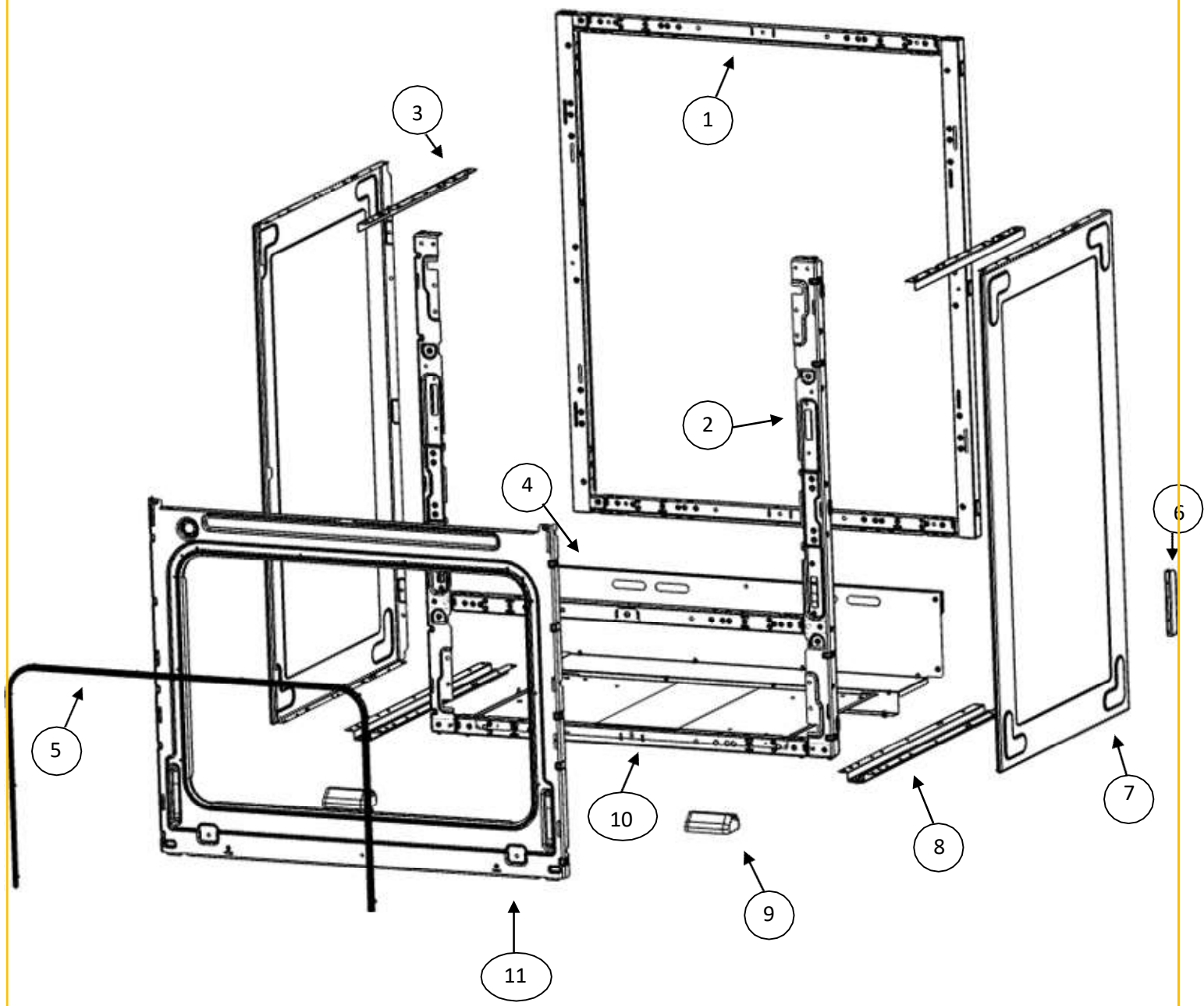
ESTUFA AF5333D



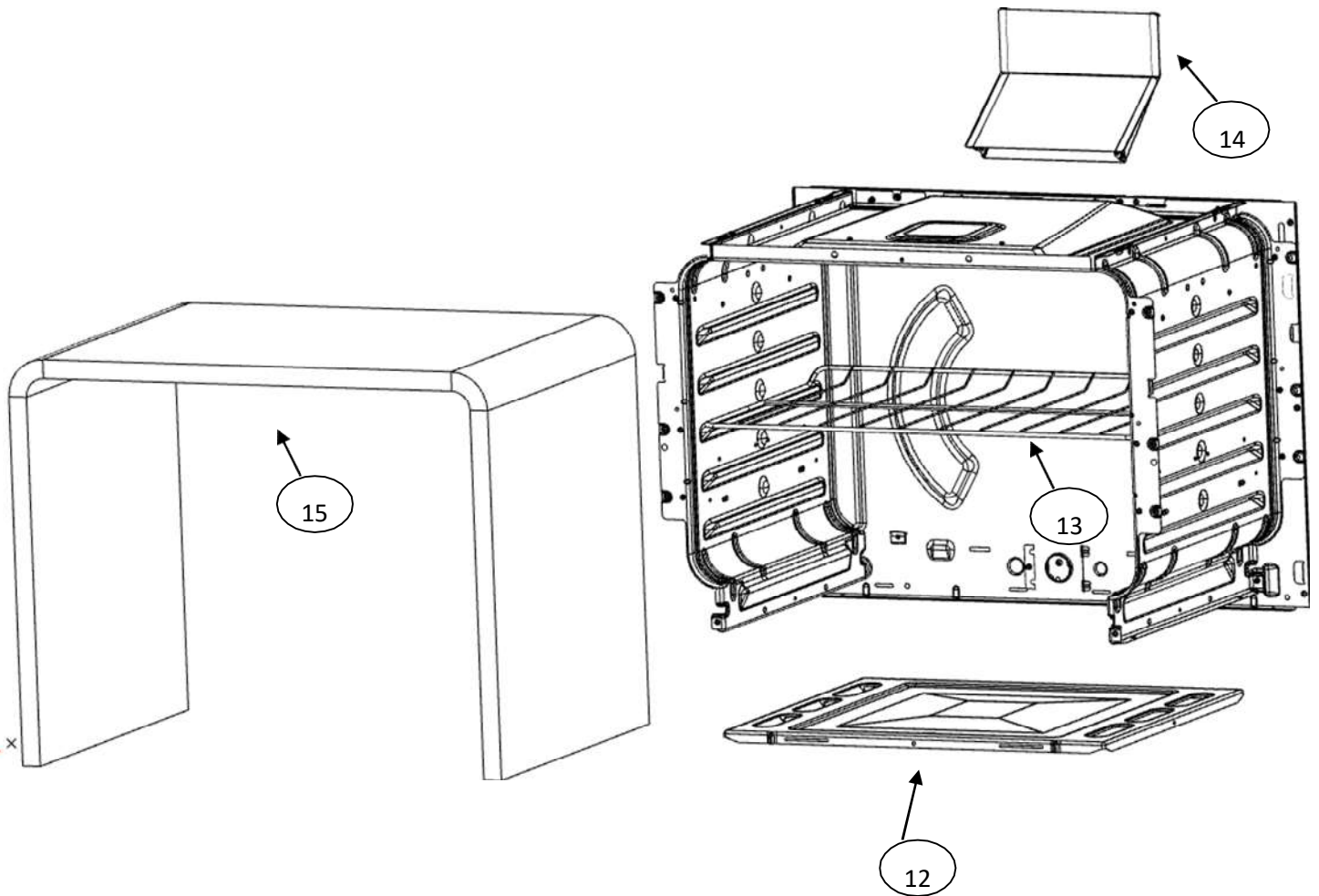
ESTUFA AF5333D

<u>No. Ilus.</u>	<u>DESCRIPCIÓN</u>	<u>Cant.</u>	<u>No. de Parte</u>
1	COOKTOP	1	W10508707
2	MANIFOLD PANEL PRAGA DSL DEC	1	W10907795
3	SINGLE KNOB EURO SIL 2	7	W10903607
4	STD CAP BURNER	4	W10354292
4.1	STD BURNER	4	W10354371
5	SUPER CAP BURNER	2	W10354293
5.1	SUPER BURNER	2	W10356319
6	GRATES	3	W10614446
7	ASSY. BACKGUARD W/NAMEPL ATE DSL	1	W10737561

ESTUFA AF5333D



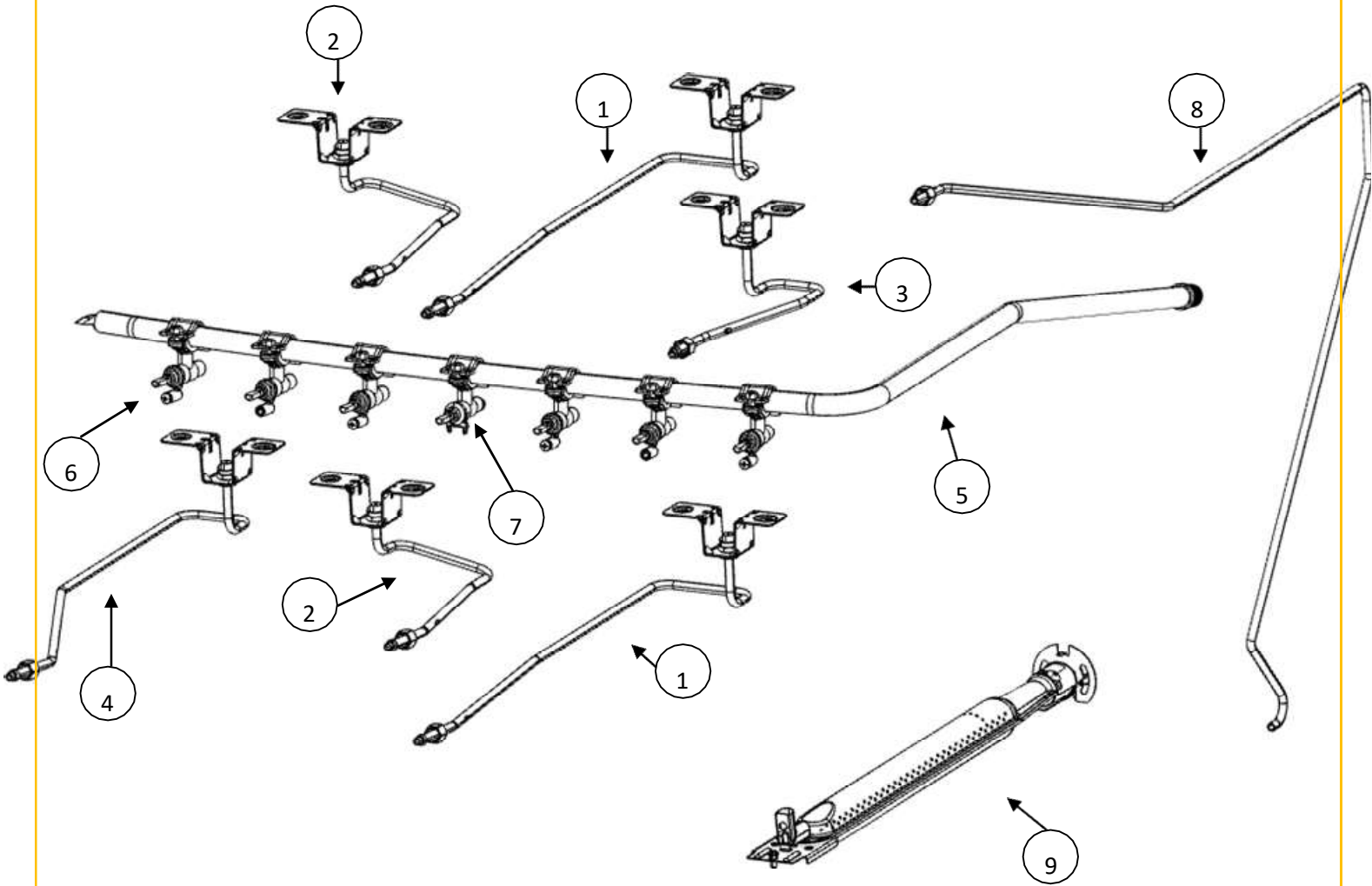
ESTUFA AF5333D



ESTUFA AF5333D

<u>No. Ilus.</u>	<u>DESCRIPCIÓN</u>	<u>Cant.</u>	<u>No. de Parte</u>
1	REAR FRAME	1	W10500814
2	FRONT VERTICAL PILLAR	2	W11234516
3	TOP SIDE PANEL	2	W10577312
4	BROILER BACK OVEN	1	W10515063
5	SEAL OVEN DOOR	1	W10759584
6	COUNTER SUPPORT	2	W10545681
7	SIDE PANEL SHORT FS 30" P MIDNIGHT GY	2	W10869195
8	BASE RAIL	2	W10446524
9	BASE CORNER FRONT	2	W10596641
10	CROSS SUPPORT	2	W11172775
11	FRONT FRAME	1	W10448073
12	OVEN BOTTOM	1	W10764694
13	OVEN RACK	1	W10550642
14	FLUE BOX ASM	1	W10742507
15	OVEN WRAPPER	1	W10364807

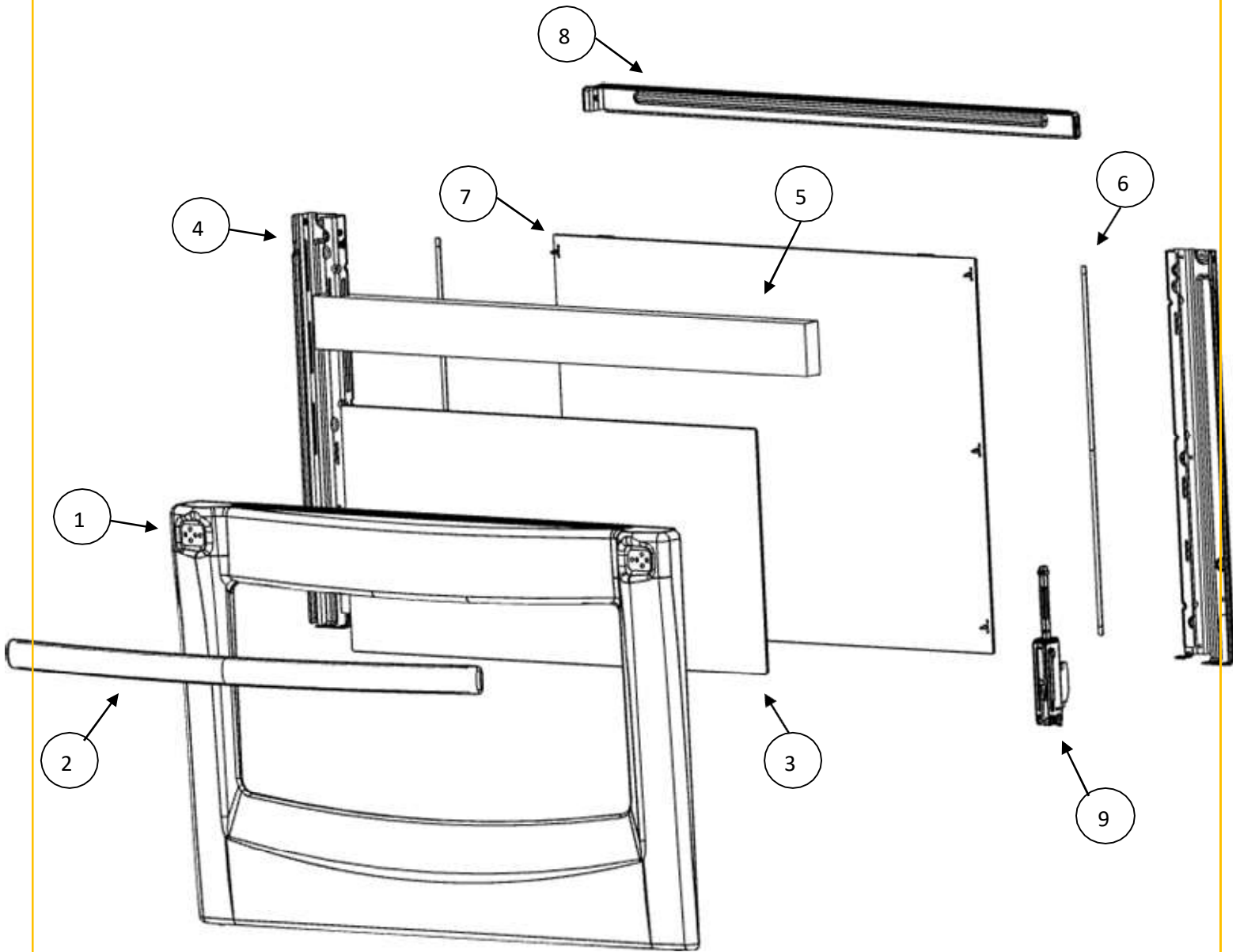
ESTUFA AF5333D



ESTUFA AF5333D

No. Ilus.	DESCRIPCIÓN	Cant.	No. de Parte
1	REAR TUBING ASM STD	2	W10540693
2	FRONT TUBING ASM STD	2	W10540691
3	FRONT TUBING SUPER	1	W10540695
4	REAR TUBING SUPER	1	W10540690
5	MANIFOLD TUBE ASSY	1	W10532707
6	VALVE SURF ZAMAK TUB.STD PROP	4	W10452660
6.1	VALVE SURF ZAMAK TUB.SUP PROP	2	W10452673
7	VALVE THERMOC. 5 POS. PROPANE	1	W10452676
8	TUBING OVEN BURNER ASSY	1	W10647683
9	OVEN BURNER ASSY	1	W10646982
**	KIT CONV NG	**	W10613659
**	KIT CONV LP	**	W10613664

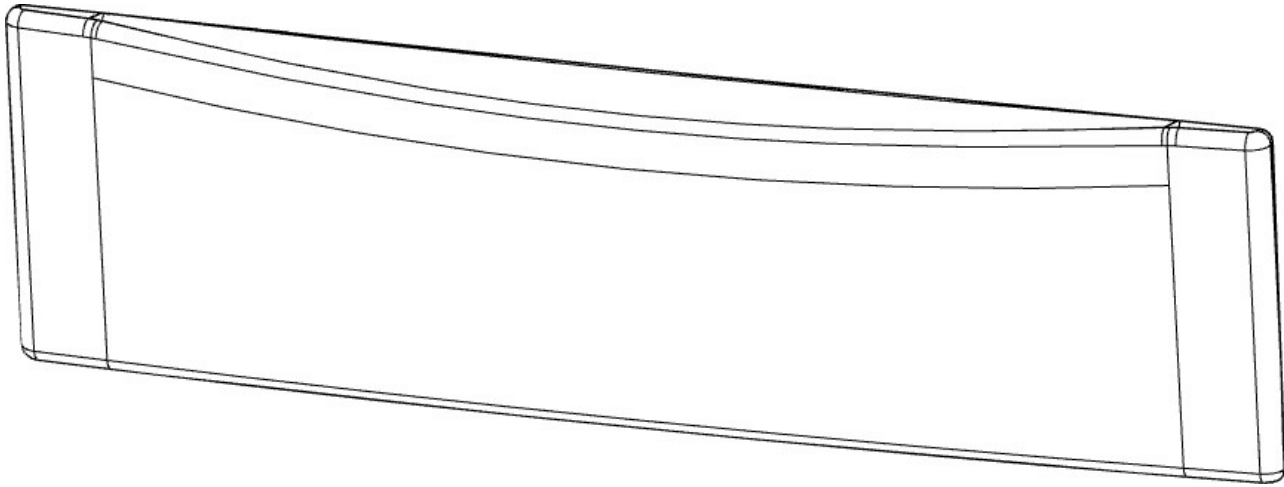
ESTUFA AF5333D



ESTUFA AF5333D

No. Ilus.	DESCRIPCIÓN	Cant.	No. de Parte
1	OUTER PANEL OVEN DOOR SILVER PAINTED	1	W11363995
2	OVEN DOOR HANDLE	1	W11363998
3	OUTER DOOR GLASS	1	W10507547
4	OVEN DOOR PILLAR LEFT	1	W10540454
4.1	OVEN DOOR PILLAR RIGHT	1	W10540452
5	OVEN DOOR FIBER GLASS	1	W10646495
6	INNER GLASS SEAL	2	W10292266
7	INNER GLASS OVEN DOOR	1	W10828688
8	TOP TRIM DOOR ASSY	1	W10608322
9	OVEN DOOR HINGE	2	98017875
**	OVEN DOOR ASSY	**	W11369880

ESTUFA AF5333D



No. Ilus.		Cant.	No. de Parte
1	KIT BROILER LID DSL	1	KIT BROILER LID DSL

ESTUFA AF5333D

KIT DE CONVERSION GAS NATURAL:	W10613659	
Componentes a solicitar:	W10614047 (1)	REAR TUBE ASM LEFT
	W10614049 (2)	FRONT TUBE ASM LEFT / FRONT ASM TUBE CENTRAL
	W10614052 (2)	REAR ASM TUBE CENTRAL / REAR TUBE ASM RIGHT
	W10614055 (1)	FRONT TUBE ASM
	W10539375 (1)	ORIFICE OVEN BURNER
	W10452674 (2)	VALVE FOR SUPER BURNER
	W10452677 (1)	THERMOCONTROL