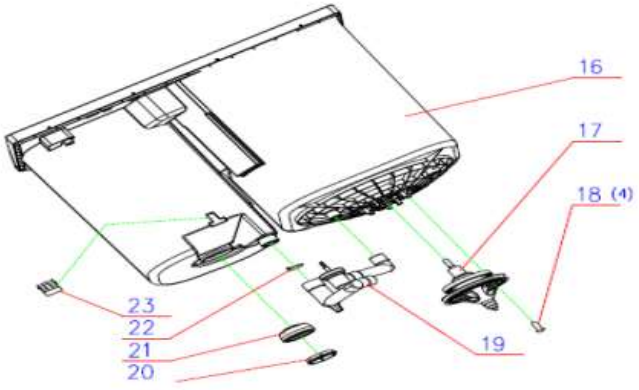
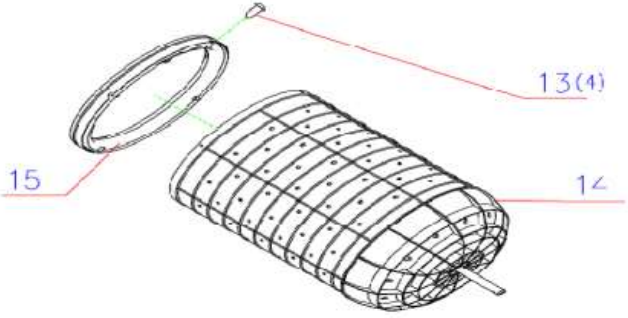
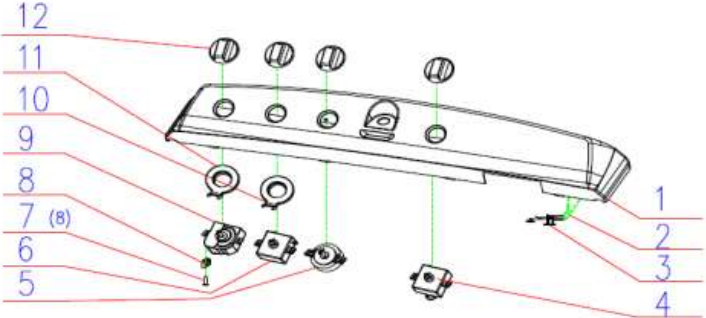


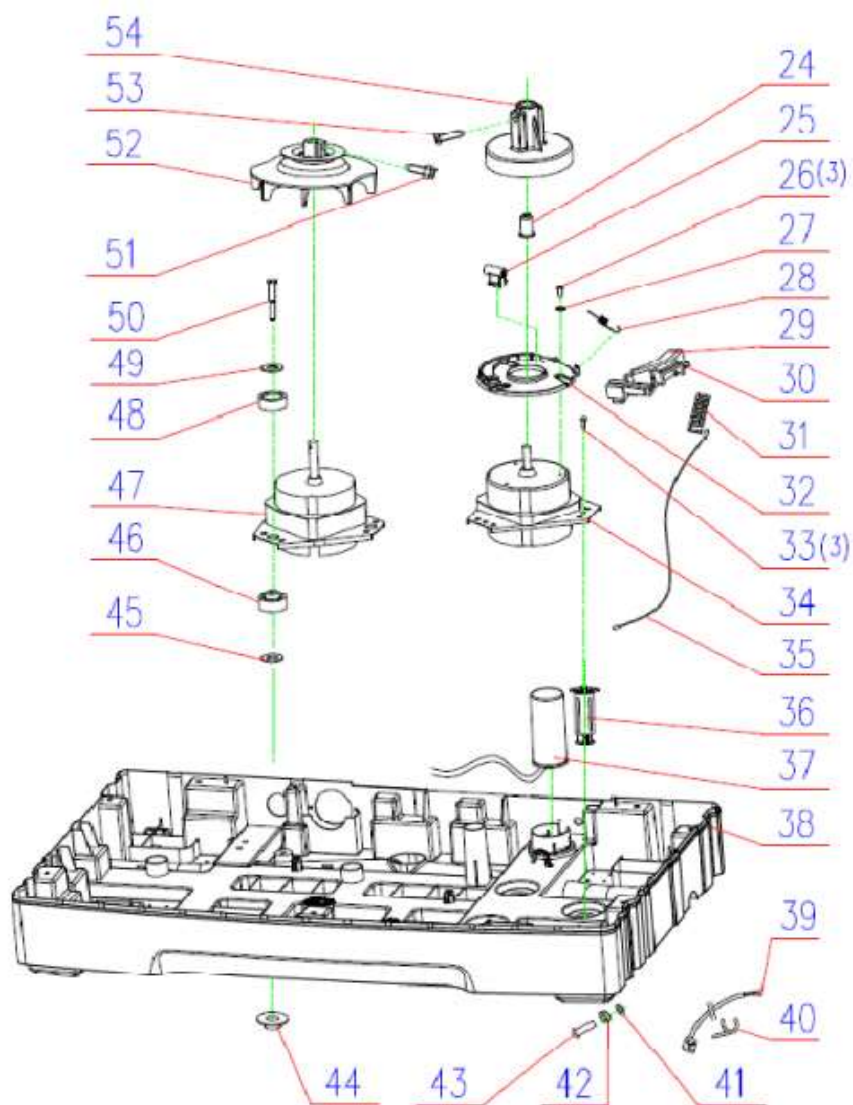
**ALD1325WB0**



## ALD1325WB0

1	3.01115E+11	Control panel
2	***	Brown wires
3	3.02412E+11	Safety switch
4	3.02402E+11	Drain switch
5	3.02412E+11	Spin timer(whirlpool)
6	3.02402E+11	Wash drain switch
7	***	Screw 4x20
8	***	Transition part
9	3.02412E+11	Wash timer(whirlpool)
10	3.01114E+11	Waterproof for drain switch
11	3.01114E+11	Waterproof for spin timer
12	3.01115E+11	Knob assembly
13	***	Screw 4x10
14	3.01115E+11	Spin tub
15	3.01115E+11	Spin tub ring
16	3.01115E+11	Twin tub
17	3.01213E+11	Retarder assembly
18	***	Screw 5x20
19	3.01611E+11	Drain valve assembly
20	3.027E+11	Chock proof ring
21	3.01116E+11	Anti quake assembly
22	***	Bottom valve piece
23	***	Mounting block

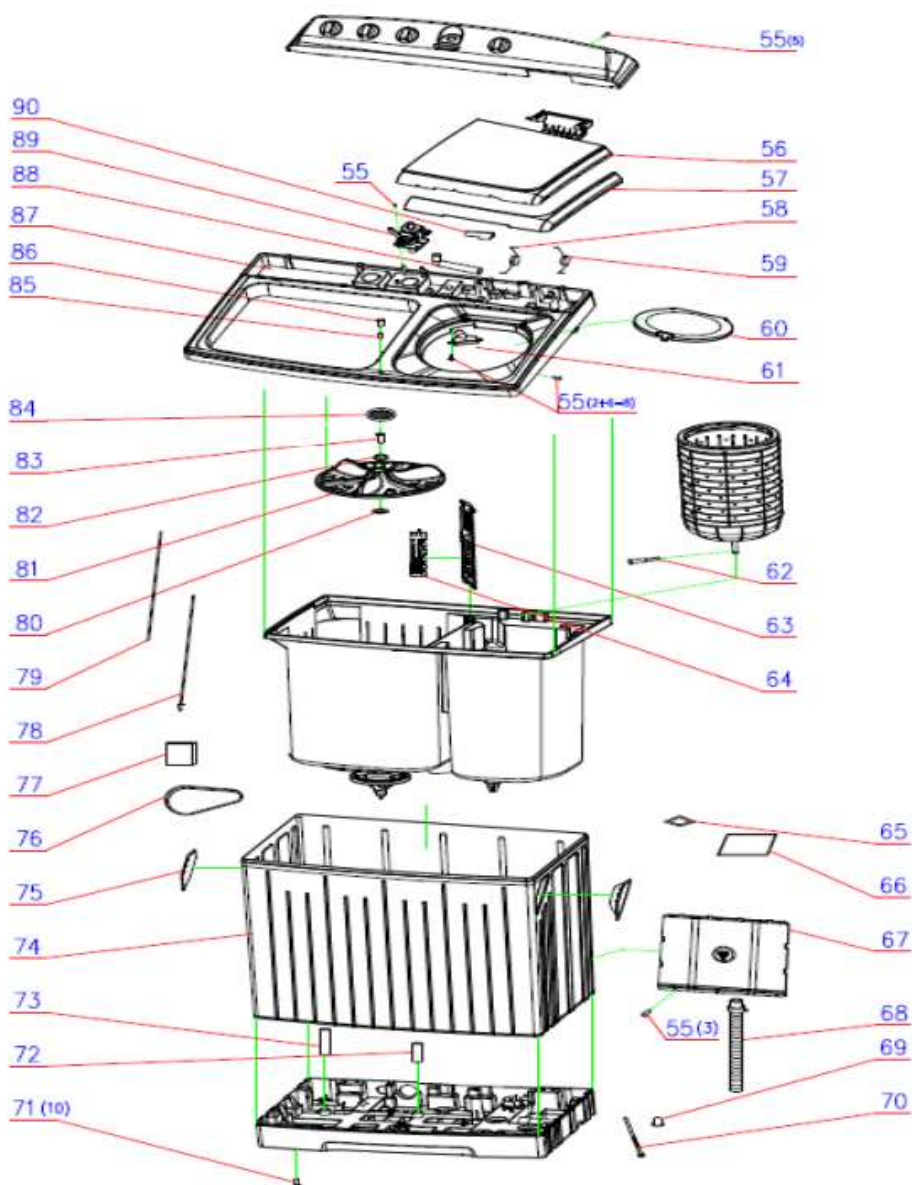
# ALD1325WB0



## ALD1325WB0

24	3.027E+11	Insulative sleeve
25	3.01114E+11	Cable support
26	***	Screw 4x6
27	***	Washer 4
28	***	Brake spring
29	3.01115E+11	Brake pad
30	3.01115E+11	Brake flake
31	3.029E+11	Connector
32	3.01213E+11	Support plate assembly
33	***	Screw 5x16
34	3.02411E+11	Spin motor
35	3.02911E+11	Cable support
36	3.02911E+11	Motor spring assembly
37	3.02411E+11	Capacitor
38	***	Base
39	3.02402E+11	Plug assembly
40	***	Clip
41	***	Grounding nut M4
42	***	Washer
43	***	Bolt M4X22-Q
44	***	Specific nut
45	***	Specific washer
46	3.02211E+11	Vibration absorption Pad
47	3.02411E+11	Wash motor(200W)
48	3.02211E+11	Vibration absorption Pad
49	***	Specific washer
50	***	Screw on wash motor
51	3.02911E+11	Fastening assembly of wheel
52	3.03401E+11	Motor pulley
53	***	Screw 5x14
54	3.01213E+11	Brake wheel

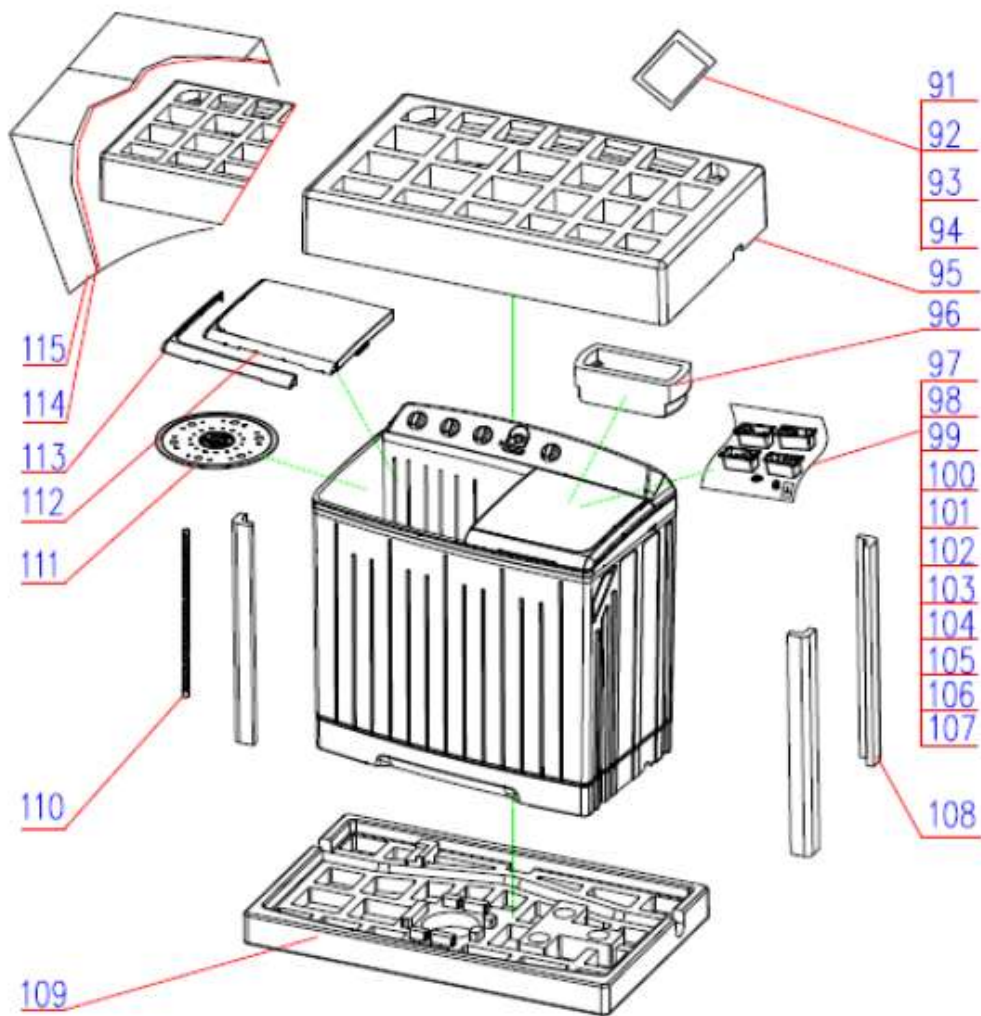
# ALD1325WB0



## ALD1325WB0

55	***	Screw 4x12
56	3.01114E+11	Spin cover
57	3.01114E+11	Spin cover inlay
58	***	hinge Spring
59	***	hinge Spring
60	3.01114E+11	Spin dryer inner safety lid
61	3.01112E+11	Water inlet box
62	***	Bolt M6x0.5x35 Q
63	***	Overflow filter plate
64	3.01114E+11	Lint filter
65	***	Qualify certification
66	***	Name plate
67	3.01114E+11	Back cover
68	3.01611E+11	Drain hose assembly
69	***	Wire nut
70	***	Tie wrap
71	***	Screw 4X14
72	***	supporter B(short)
73	***	supporter A(long)
74	3.01116E+11	Cabinet
75	***	Holder
76	3.02701E+11	V belt
77	***	Foam lining
78	3.01116E+11	Drain belt
79	3.01116E+11	Brake belt
80	***	Pulsator washer
81	3.01114E+11	Pulsator
82	3.02502E+11	Anti recession washer
83	***	Pulsator screw
84	3.01114E+11	Pulsator cover
85	***	Screw 4x16
86	***	Screw cap
87	3.01114E+11	Frame
88	3.016E+11	Water inlet box hose
89	3.01601E+11	Water inlet valve
90	***	Protect cover

# ALD1325WB0



## ALD1325WB0

91		Guarantee voucher * ***
92	***	User return receipt
93	***	User manual
94	***	Technology file bag
95	***	Top lining
96	***	Protecting cover of spin tub
97	***	Foot cover 1
98	***	Foot cover 2
99	***	Foot cover 3
100	***	Foot cover 4
101	***	Washer card
102	***	Washer
103	3.01114E+11	Roller
104	3.01112E+11	Roller shaft
105	***	Screw 4x14(coat zinc)
106	***	Package bag
107	***	Screw packing bag
108	***	Side lining
109	***	Base lining
110	3.01611E+11	Water inlet hose
111	3.01114E+11	Spin tub inner plastic lid
112	3.01114E+11	Wash lid
113	3.01114E+11	Wash lid inlay
114	***	Washing machine bag
115	***	Package box

**\*NOTA: SI EL CODIGO DEL ARTICULO QUE NECESITA NO APARECE EN NUESTRA PAGINA WEB, ES PROBABLE QUE SEA SOBRE PEDIDO O ESTE OBSOLETO.**

**FAVOR DE COMUNICARSE A NUESTRAS OFICINAS PARA MAYOR INFORMACION**

**TELEFONOS: 83377949, 83377999 Y 83373889.**