

EXPLOSIONADO DE PARTES

— LAVADORA TWIN TOP —

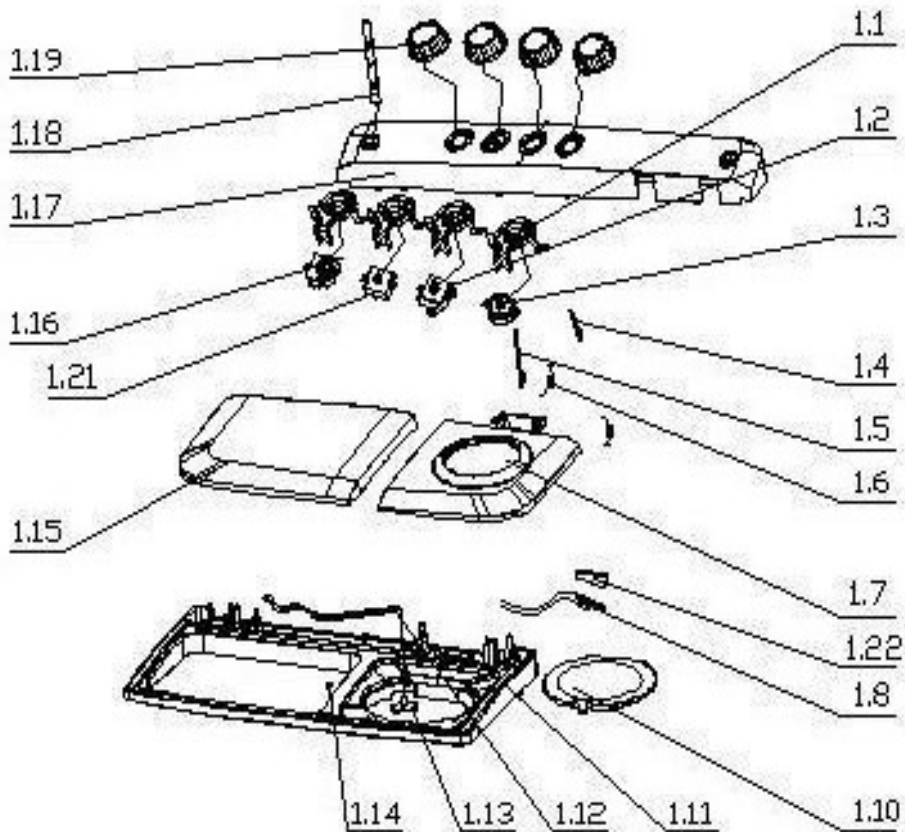
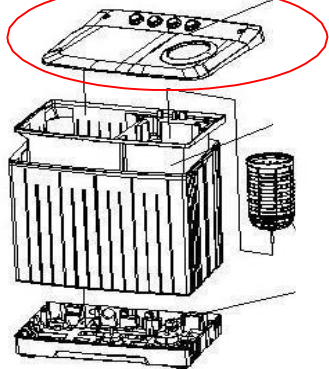
MODELO | ALD1525FH

Distribuidor Autorizado

SurteRápido.com

Venta de Refacciones
Electrodomesticas

Lavadora Whirlpool ALD1525FH



Distribuidor Autorizado

SurteRápido.com

Venta de Refacciones
Electrodomesticas



Lavadora Whirlpool ALD1525FH

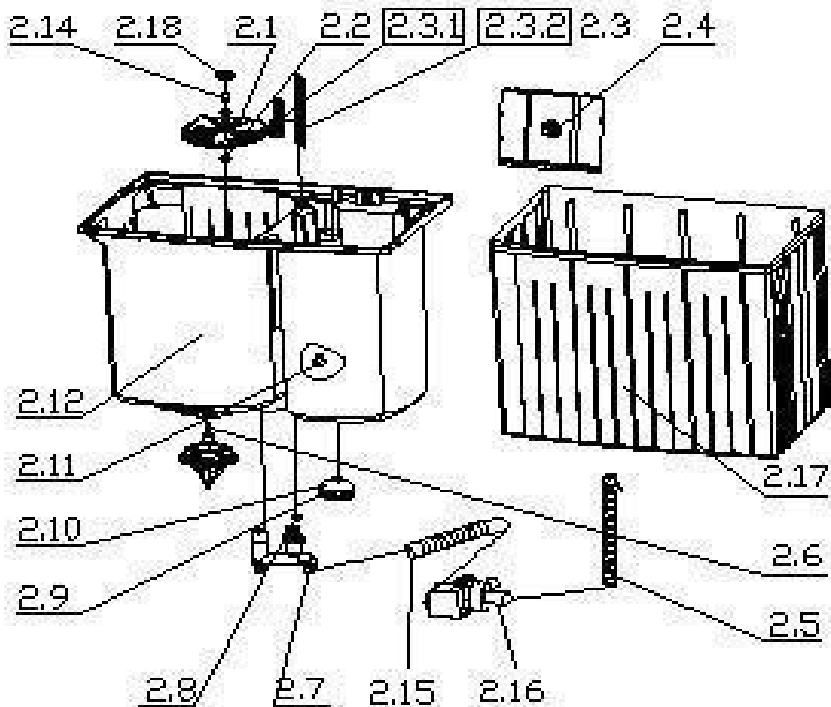
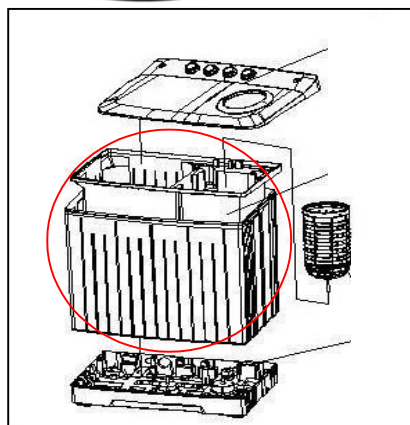
<u>No. Ilus.</u>	<u>DESCRIPCIÓN</u>	<u>Cant.</u>	<u>No. de Parte</u>
1.1	Water shield	3	301150590071
1.2	Rinse Switch	1	301151090343
1.3	Spin Timer	1	302450880001
1.4	Drain Belt	1	301115800020
1.5	Brake Belt	1	301115800070
1.6	Twist Spring	1	301114500706
1.7	Spin Cover Assembly	1	3011510C0776
1.8	Safety Switch	1	302411500003
1.1	Safety Cover	1	301114400755
1.11	Top Frame Assembly	1	301151090342
1.12	Water Pipe	1	301150610364
1.13	Water Inlet Box	1	301150701162
1.14	Screw Cover	2	301150610091
1.15	Wash Cover Assembly	1	3011510C0770
1.16	Washing Timer	1	302450880000
1.17	Control Panel And Printing	1	3011510C0777
1.18	Water Inlet Hose	1	301150590483
1.19	Knob	4	301150500463
1.21	Change-Over Switch	1	3024015A0002
1.22	Shield	1	301150960017

Distribuidor Autorizado

SurteRápido.com

Venta de Refacciones
Electrodomesticas

Lavadora Whirlpool ALD1525FH



Distribuidor Autorizado

SurteRápido.com

Venta de Refacciones
Electrodomesticas



Lavadora Whirlpool ALD1525FH

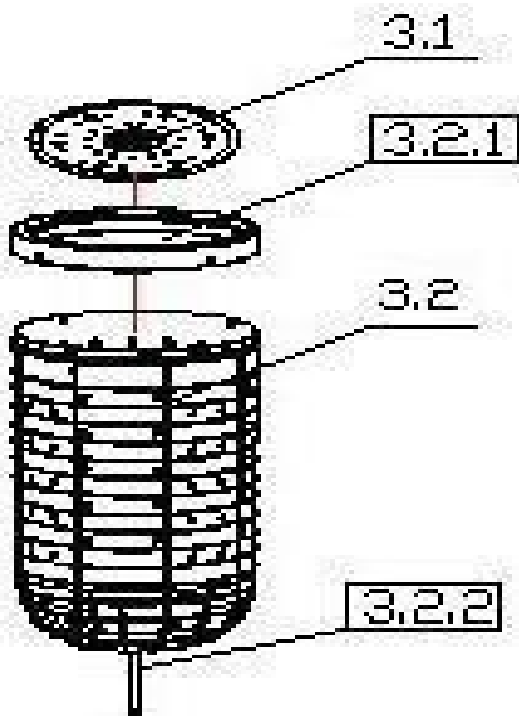
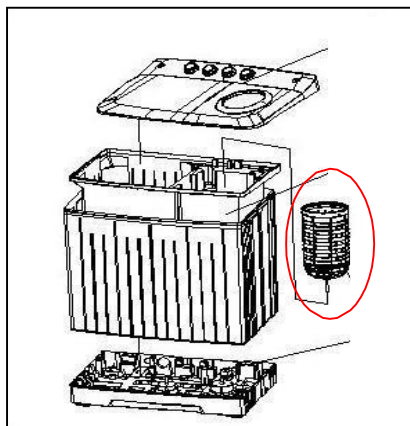
<u>No. Ilus.</u>	<u>DESCRIPCIÓN</u>	<u>Cant.</u>	<u>No. de Parte</u>
2.1	Impeller Assembly	1	301150590068
2.2	Impeller Axis Washer	1	302502100002
2.3	Overflow Cover Assembly	1	301151090116
2.3.1	Filter Assembly	1	301150610061
2.4	Rear Cover	1	3011506B0193
2.5	Drain Hose Assembly	1	301150610367
2.6	Gear Case Assembly	1	302950690003
2.7	Tee Drainage Assembly	1	301150800393
2.8	Bottom Valve	1	301111800001
2.9	Water Sealer Assembly	1	12638000000138
2.1	Damper Rubber Assembly	1	302750690017
2.12	Twin Tub	1	301150890523
2.14	Impeller Screw	1	302550690020
2.17	Plastic Cabinet Assembly	1	301150800261

Distribuidor Autorizado

SurteRápido.com

Venta de Refacciones
Electrodomesticas

Lavadora Whirlpool ALD1525FH



Distribuidor Autorizado

SurteRápido.com

Venta de Refacciones
Electrodomesticas



Lavadora Whirlpool ALD1525FH

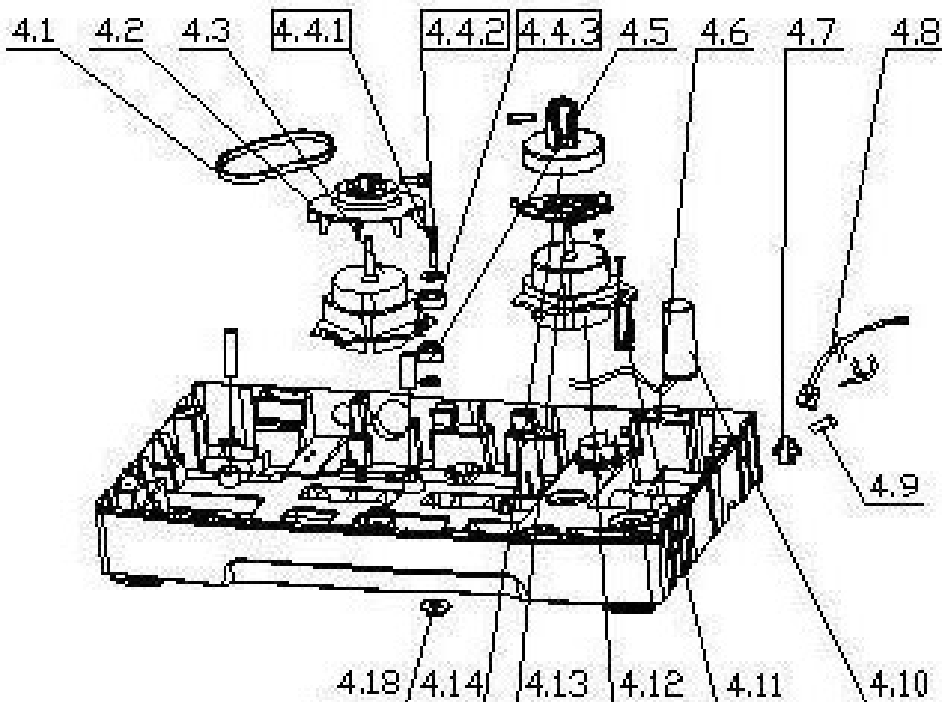
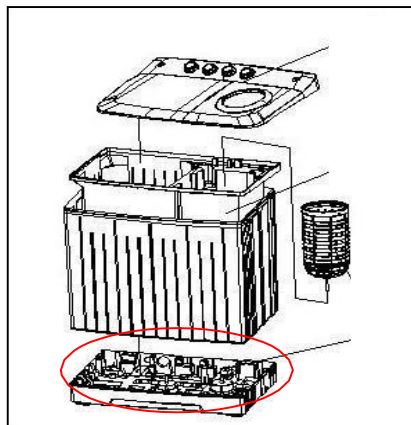
<u>No. Ilus.</u>	<u>DESCRIPCIÓN</u>	<u>Cant.</u>	<u>No. de Parte</u>
3.1	Dehydration inside cover	1	301114600011
3.2	Spin Tub Assembly	1	301150610056
3.2.1	Balance Ring	1	301102000044
3.2.2	Flange	1	301200500003

Distribuidor Autorizado

SurteRápido.com

Venta de Refacciones
Electrodomesticas

Lavadora Whirlpool ALD1525FH



Distribuidor Autorizado

SurteRápido.com

Venta de Refacciones
Electrodomesticas



Lavadora Whirlpool ALD1525FH

<u>No. Ilus.</u>	<u>DESCRIPCIÓN</u>	<u>Cant.</u>	<u>No. de Parte</u>
4.1	V-Belt	1	302701000007
4.2	Small Motor Pulley	1	302920600135
4.3	Motor	1	302400390048
4.4.1	Washing Machine Special Screw		No serviceable
4.4.2	Special Washer	3	302550390003
4.6	Base	1	301114000610
4.8	Power Cord	1	302402100076
4.9	Plain Screw		No serviceable
4.1	Capacitor	1	302411400606
4.11	Motor Spring Assembly	1	302911200003
4.12	Motor	1	302400490035
4.13	Brake Assembly	1	301250701274
4.14	Brake Wheel Assembly	1	301213200005