

EXPLOSIONADO DE PARTES



LAVADORAS DE IMPORTADAS

Modelo:

ALD1525TB0

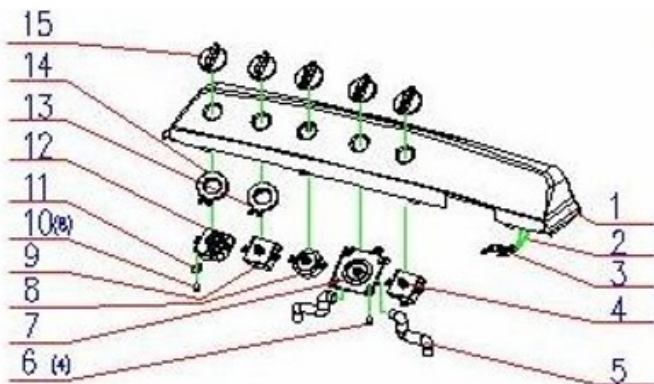
Distribuidor Autorizado

SurteRápido.com

Venta de Refacciones
Electrodomesticas

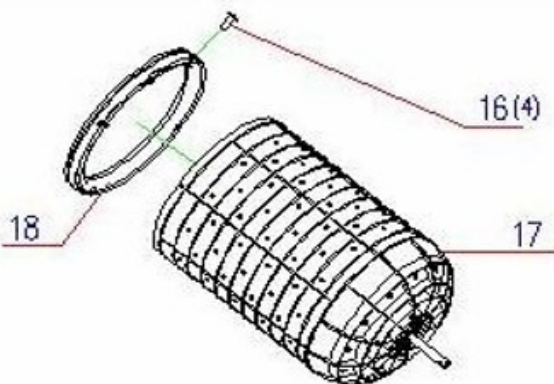
Lavadora Whirlpool ALD1525TB0

A



A-12135

B



B-900S

Distribuidor Autorizado

SurteRápido.com

Venta de Refacciones
Electrodomesticas



Lavadora Whirlpool ALD1525TBO

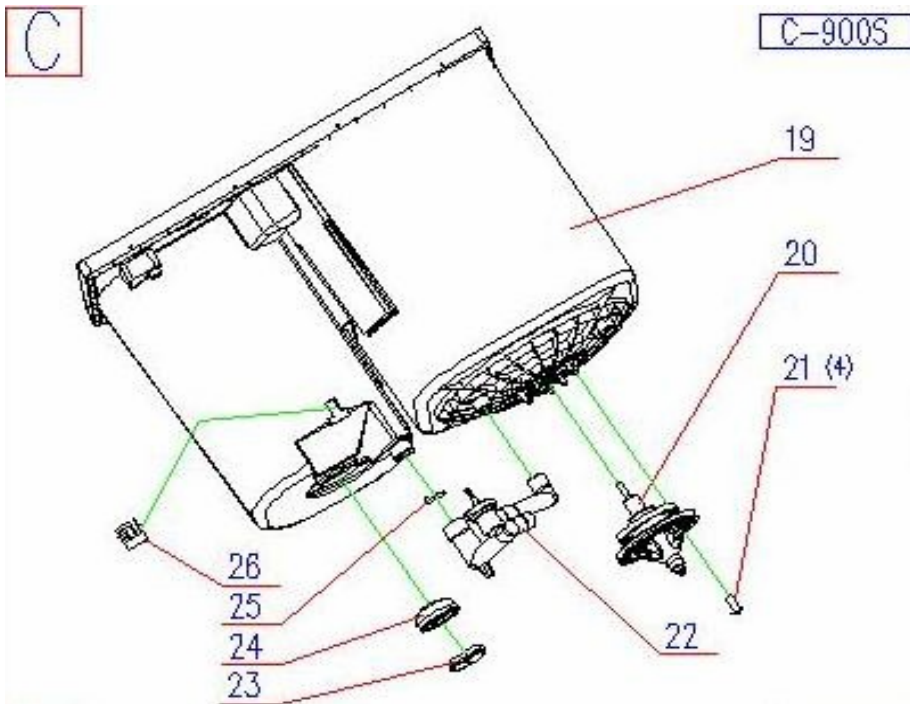
No.Illus.	DESCRIPCIÓN	Cant.	No. de Parte
1	Control panel	1	301114500688
2	Wire	1	*****
3	Safety switch	1	302411500003
5	Hose of waterinlet	1	301600100609
6	Screw 4*14(Zn)	4	*****
7	Ass'Y of water inlet switch	1	302411200131
8	Spin timer	1	302411900625
9	Flow switch	1	302411500063
10	Screw 4*20	8	*****
11	Transitional Piece of Srew	1	*****
12	Wasing timer	1	302411900626
13	Water guard of switch	1	301114200604
14	Water guard of timers	1	301114200603
15	Knob	1	301114900616
16	Screw 4*10	4	*****
17	Spin tub	1	301115400601
18	Balancing ring	1	301115300471

Distribuidor Autorizado

SurteRápido.com

Venta de Refacciones
Electrodomesticas

Lavadora Whirlpool ALD1525TBO



No. Ilus.	DESCRIPCIÓN	Cant.	No. de Parte
19	Twin tub	1	301115400600
20	Reducer Assembly	1	301213000069
21	Screw 5*20	4	302500300011
22	Drain valve assemble	1	301611100060
23	Shock-proof ring	1	302700200004
24	Anti-quake assembly	1	301115600060
25	Bottom Valve Piece	1	301111800001
26	Brake Block	1	301114700001

Distribuidor Autorizado

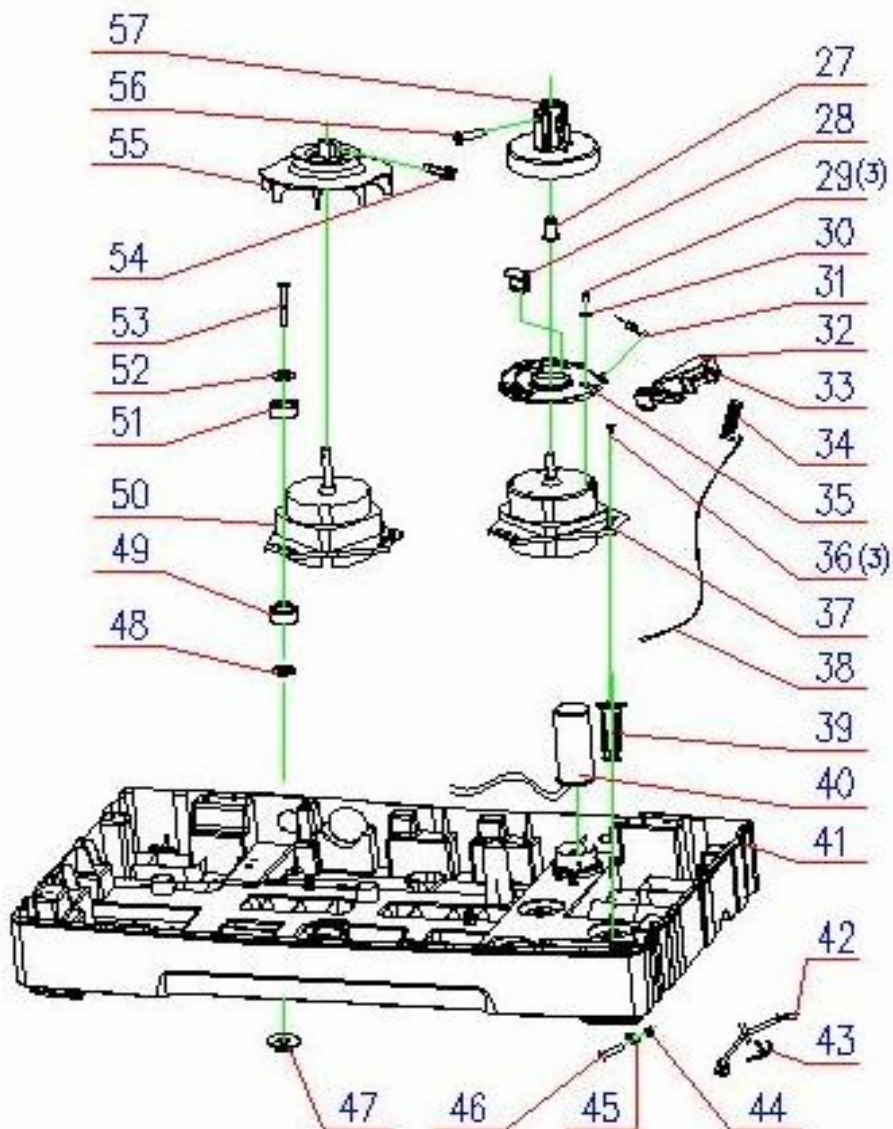
SurteRápido.com

Venta de Refacciones
Electrodomesticas

Lavadora Whirlpool ALD1525TB0

D

D-1213S



Distribuidor Autorizado

SurteRápido.com

Venta de Refacciones
Electrodomesticas



Lavadora Whirlpool ALD1525TB0

No. Ilus.	DESCRIPCIÓN	Cant.	No. de Parte
27	Cable Support	1	302700300014
28	Cable Support	1	301114200006
29	Screw M4*6	3	*****
30	Washer 4	1	*****
31	Brake spring	1	302911200006
32	Brake pad	1	301114700006
33	Brake flake	1	301114700005
34	Connector	1	302900300001
35	Support plate assembly	1	301213100001
36	Screw5*16	3	*****
37	Spin motor	1	302411300093
38	Brake cable assembly	1	302911000012
39	Motor spring assembly	1	302911200068
40	Capacitor	1	302411400606
41	Base	1	30111400606
42	Powercord	1	302402100674
43	Wire clip	1	*****
44	BoltM4	1	*****
47	Special screw	1	302502000009
48	Special washer(down)	1	302502100019
49	Buffer pad (Down)	1	302211100016
50	Spin motor(200W)	1	302411300607
51	Buffer pad (Up A)	1	302211100011
52	Special washer(up)	1	302502100011
53	Special screw for wash motor	1	302500300032
54	Fastening assembly of wheel	1	302911100001
55	Motor pulley	1	303400500061
57	Brake wheel	1	301213200060

Distribuidor Autorizado

SurteRápido.com

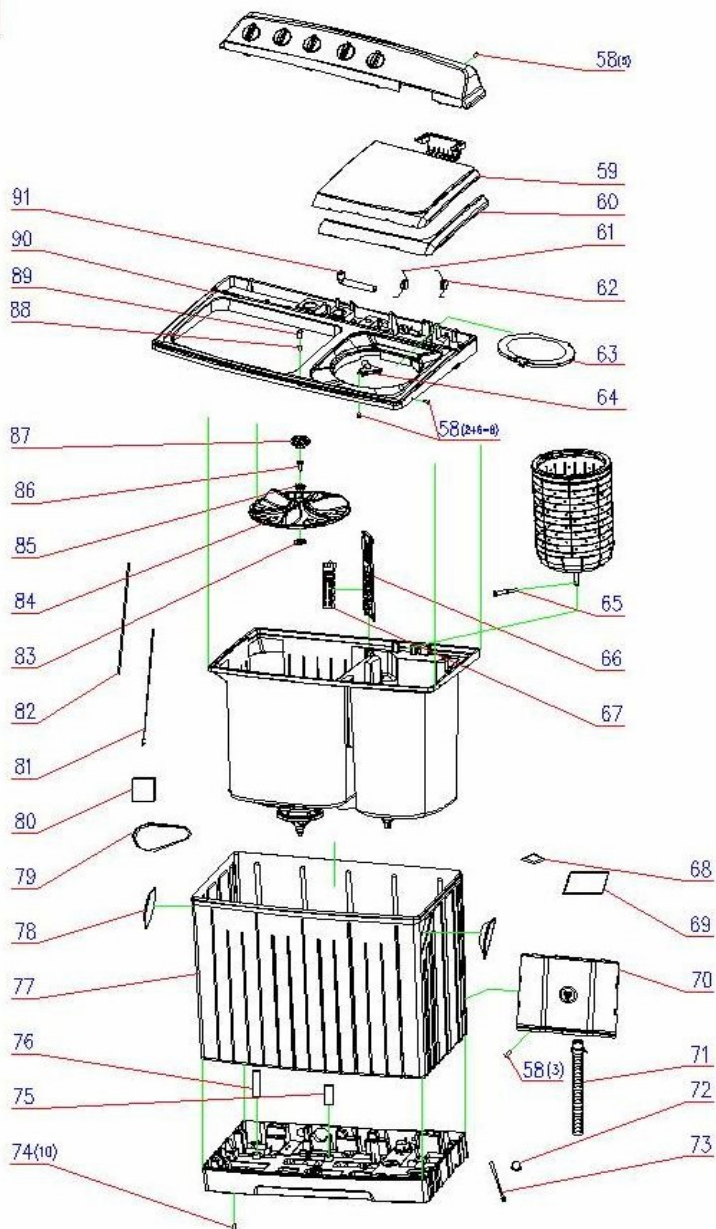
Venta de Refacciones
Electrodomesticas

Lavadora Whirlpool ALD1525TBO

2-000-4335

E-12135

E



Distribuidor Autorizado

SurteRápido.com

Venta de Refacciones
Electrodomesticas



Lavadora Whirlpool ALD1525TBO

No.Ilus.	DESCRIPCIÓN	Cant.	No. de Parte
58	Screw4*12	13	*****
59	Main part of Spin lid	1	301114400720
60	Inlay part of Spin lid	1	301114400721
61	Spring	1	302911200009
62	Spring	1	302911200067
63	Safe lid	1	301114400663
64	water inlet box	1	301112000806
65	BoltM6*0.5*35-Q	1	302501100600
66	Overflow level escutcheon	1	301113600607
67	Filter	1	301113600608
68	Certification	1	*****
69	Nameplate	1	*****
70	Back Cover	1	301113700600
71	Drain hose Ass'Y	1	301611000601
72	Wire nut	1	*****
73	Tie wrap	1	*****
74	Screw4*14	10	*****
75	SupportB(short)	1	302900600061
76	SupportA(long)	1	302900600060
77	Cabinet	1	301116300061
78	handle	1	301113400601
79	V-belt	1	302701000060
80	Foam side-liner	1	*****
81	Drain ribbon	1	301115800066
82	Brake belt	1	301115800067
83	washer of pulsator	1	302502100071

Distribuidor Autorizado

SurteRápido.com

Venta de Refacciones
Electrodomesticas



Lavadora Whirlpool ALD1525TB0

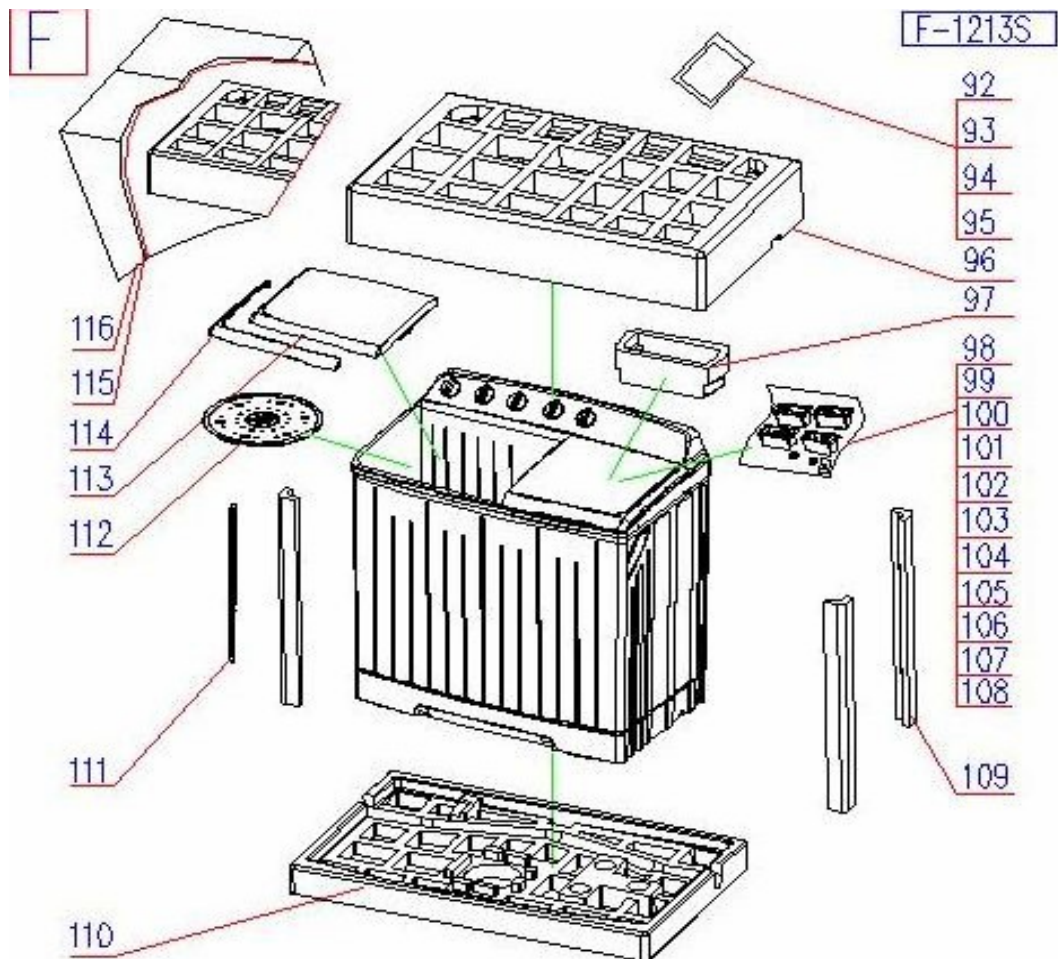
No.Ilus.	DESCRIPCIÓN	Cant.	No. de Parte
84	pulsator	1	301113500601
85	Anti-recession washer	1	302502100001
86	ScrewM6*22.5	1	*****
87	Cover of pulsator	1	301113500602
88	Screw4*16	1	*****
89	Screw cover	1	*****
90	frame	1	301114300608
91	Connect hose of water inlet box	1	301601700062

Distribuidor Autorizado

SurteRápido.com

Venta de Refacciones
Electrodomesticas

Lavadora Whirlpool ALD1525TB0



Distribuidor Autorizado

SurteRápido.com

Venta de Refacciones
Electrodomesticas



Lavadora Whirlpool ALD1525TBO

No.Ilus.	DESCRIPCIÓN	Cant.	No. de Parte
92	Guarantee card	1	*****
93	User feedback	1	*****
94	Manual	1	*****
95	Bag of tech-documents	1	*****
96	Top liner	1	*****
97	Protect liner of spin tub	1	*****
98	Foot1(right front)	1	301114100605
99	Foot2(right back)	1	301114100606
100	Foot3(left front)	1	301114100607
101	Foot4(left back)	1	301114100608
102	Foot washer	1	*****
103	Foot washer	1	*****
104	Wheel	1	301113500099
105	Wheel Axis B8X39	1	301111902000
106	Screw4*14(Zn)	1	*****
107	package bag	1	*****
108	Bag of screw	1	*****
109	side liner	1	*****
110	base foam	1	*****
111	water inlet hose	1	*****
112	Spin tub inner cover	1	301114400656
113	Main part of wash lid	1	301114400717
114	Inlay part of wash lid	1	301114400718
115	Plastic washer film	1	*****
116	carton box	1	*****