

EXPLOSIONADO DE PARTES
— LAVADORA IMPORTADA —

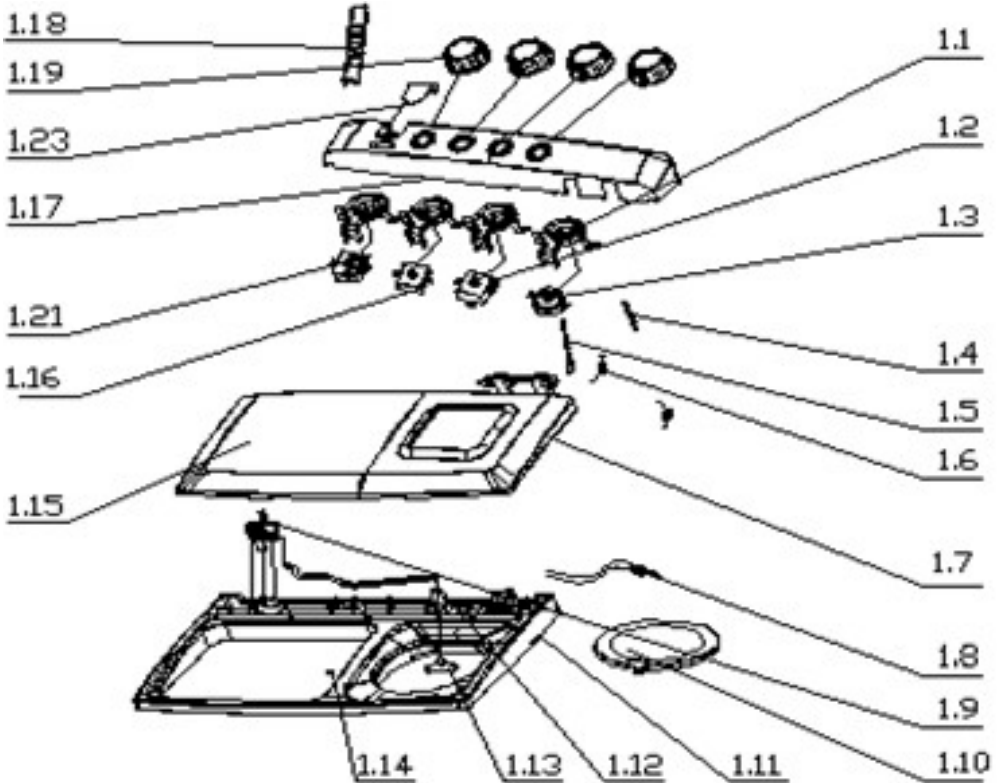
MODELO | ALD1625AF0

Distribuidor Autorizado

SurteRápido.com

Venta de Refacciones
Electrodomesticas

Lavadora Whirlpool ALD1625AF0



Distribuidor Autorizado

SurteRápido.com

Venta de Refacciones
Electrodomesticas



Lavadora Whirlpool ALD1625AF0

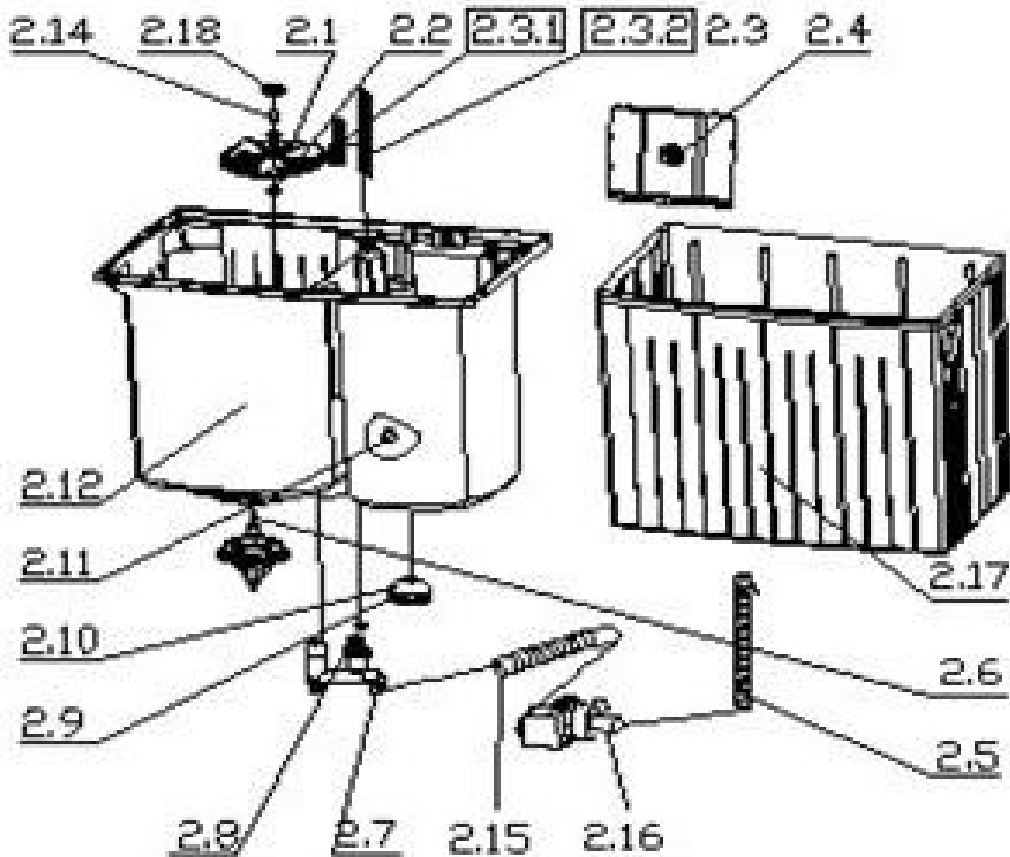
No. Ilus.	DESCRIPCIÓN	Cant.	No. de Parte
1.1	Waterproof Cover	3	301150590071
1.2	Rinse Switch	1	3024015A0001
1.3	Spin Timer	1	302400760001
1.4	Drain Belt	1	301150701232
1.5	Breaking Belt	1	301150700597
1.6	Hose Band	1	302911200067
1.6	Hose Band	1	302911200009
1.7	Spin Cover Kit	1	301151270001
1.8	Safety Switch	1	302411500003
1.1	Safety Box	1	301151290366
1.11	Top Frame	1	301151290304
1.12	Water Inlet Hose	1	301150610364
1.13	Inlet Box	1	301150590140
1.14	Screw Cap	1	301150610091
1.15	Wash Cover Handle	1	3011512C0264
1.16	Wash Timer	1	302400760000
1.17	Control Panel	1	301151290306
1.18	Water Inlet Hose	1	301150590440
1.19	Knob	4	301150500463
1.21	Water Flow Change	1	3024015A0002
	Switch		
1.22	Protective Cover	1	301151290406

Distribuidor Autorizado

SurteRápido.com

Venta de Refacciones
Electrodomesticas

Lavadora Whirlpool ALD1625AF0



Distribuidor Autorizado

SurteRápido.com

Venta de Refacciones
Electrodomesticas



Lavadora Whirlpool ALD1625AF0

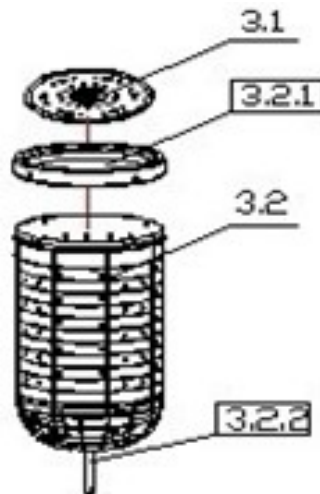
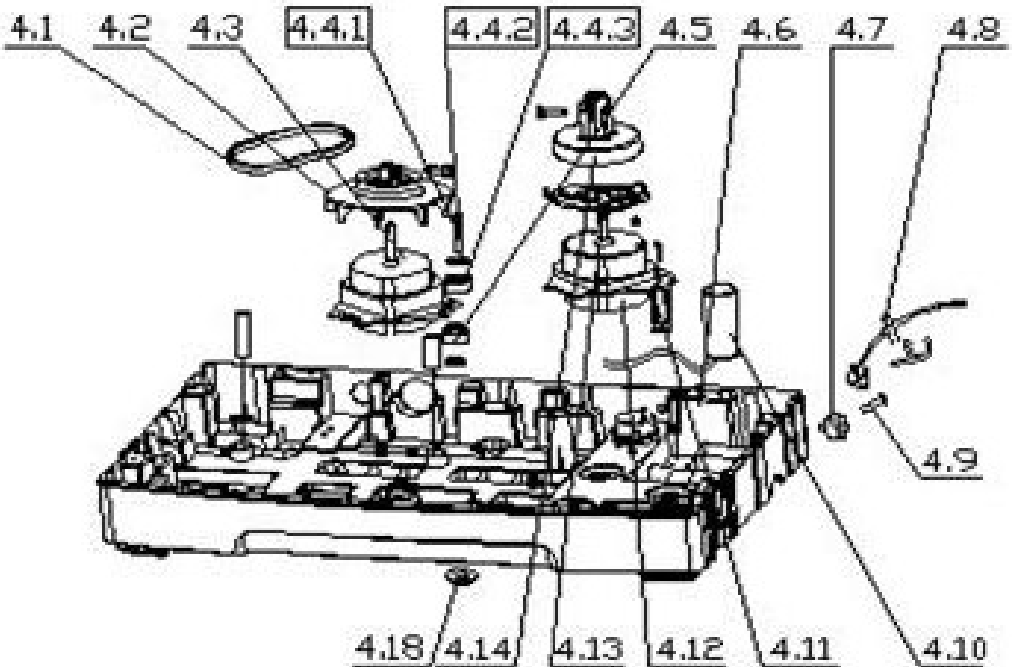
<u>No. Ilus.</u>	<u>DESCRIPCIÓN</u>	<u>Cant.</u>	<u>No. de Parte</u>
2.1	Pulsator Kit	1	301113500601
2.2	Pulsator Washer	2	302502100071
2.3	Overflow Cover Kit	1	301101400103
2.3.2	Overflow Cover	1	301113600607
2.4	Back Cover	1	301151290315
2.5	Drain Pipe	1	301150610366
2.6	Retarder kit	1	301213000804
2.7	Drain Valve Kit	1	301151200123
2.8	Bottom Valve	1	301111800001
2.9	Anti-vibration Ring	1	301150500455
2.1	Rubber Washer	1	302751200001
2.11	Brake Block	1	301114700001
2.12	Twin-tub	1	301151290357
2.14	Pulsator Screw Kit	1	302500300230
2.17	Cabinet Kit	1	301151290313
2.18	Impeller Cover	1	301113500602

Distribuidor Autorizado

SurteRápido.com

Venta de Refacciones
Electrodomesticas

Lavadora Whirlpool ALD1625AF0



Distribuidor Autorizado

SurteRápido.com

Venta de Refacciones
Electrodomesticas



Lavadora Whirlpool ALD1625AF0

<u>No. Ilus.</u>	<u>DESCRIPCIÓN</u>	<u>Cant.</u>	<u>No. de Parte</u>
3.1	Spin Cover-Inner	1	301114400656
3.2	Spin Tub Assembly	1	301151290022
3.2.1	Balancer	1	301151290024
3.2.2	Spin Tub Flange	1	301200500606
4.1	V-belt	1	302701000060
4.2	Small Pulley	1	302900190003
4.3	Wash Motor	1	302400390048
4.4.1	Specific Screw for Wash Motor	3	302550390002
4.4.2	Specific Washer	3	302550390003
4.6	Base	1	301151290314
4.8	Wire	1	302402100076
4.1	Capacitor Kit	1	302411400606
4.11	Motor Spring Kit	1	302951290003
4.12	Spin Motor	1	302400490035
4.13	Brake Lining Kit	1	301102300009
4.14	Breaking Wheel Kit	1	301213200060
4.18	Special Nut	3	302502000009