

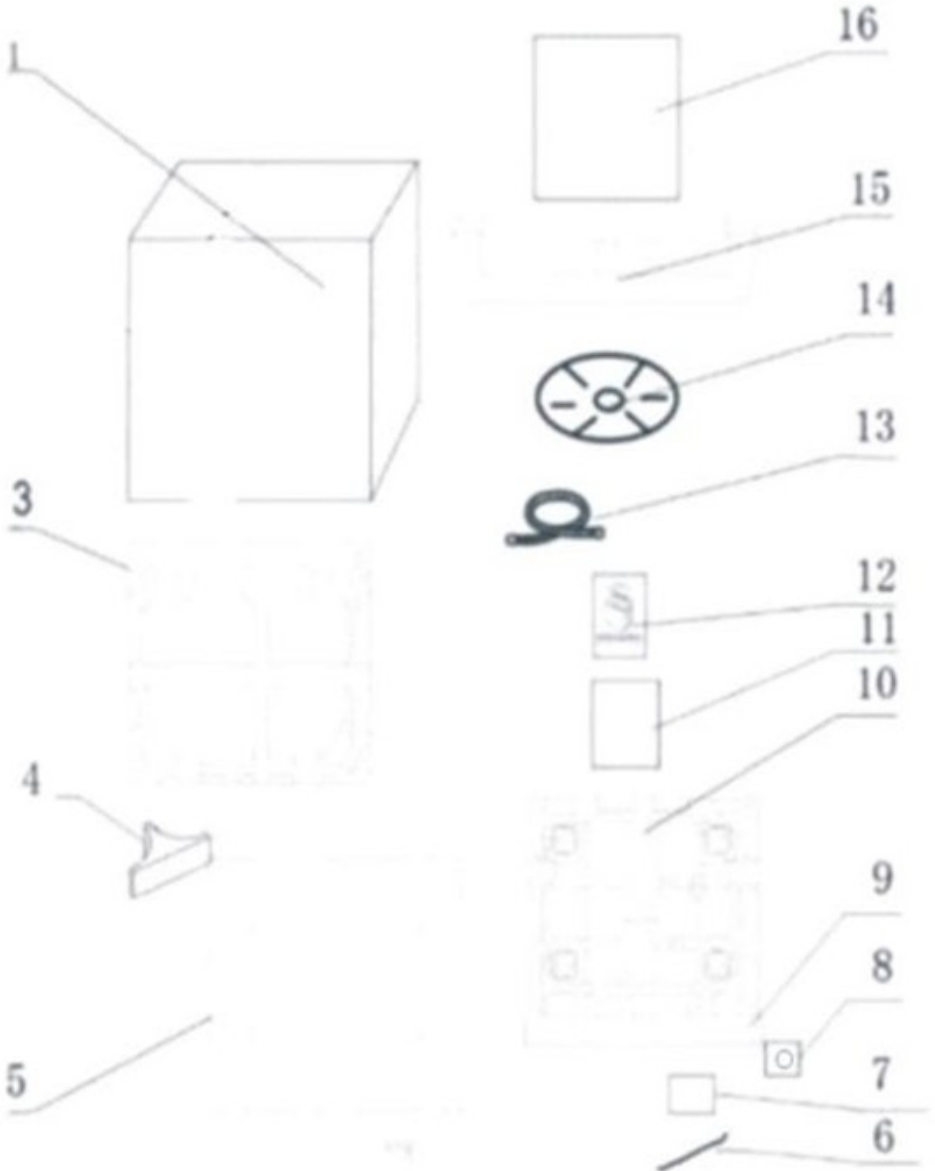
Distribuidor Autorizado

SurteRápido.com

Venta de Refacciones
Electrodomesticas



Lavadora Whirlpool ALD1925FH



Distribuidor Autorizado

SurteRápido.com

Venta de Refacciones
Electrodomesticas



Lavadora Whirlpool ALD1925FH

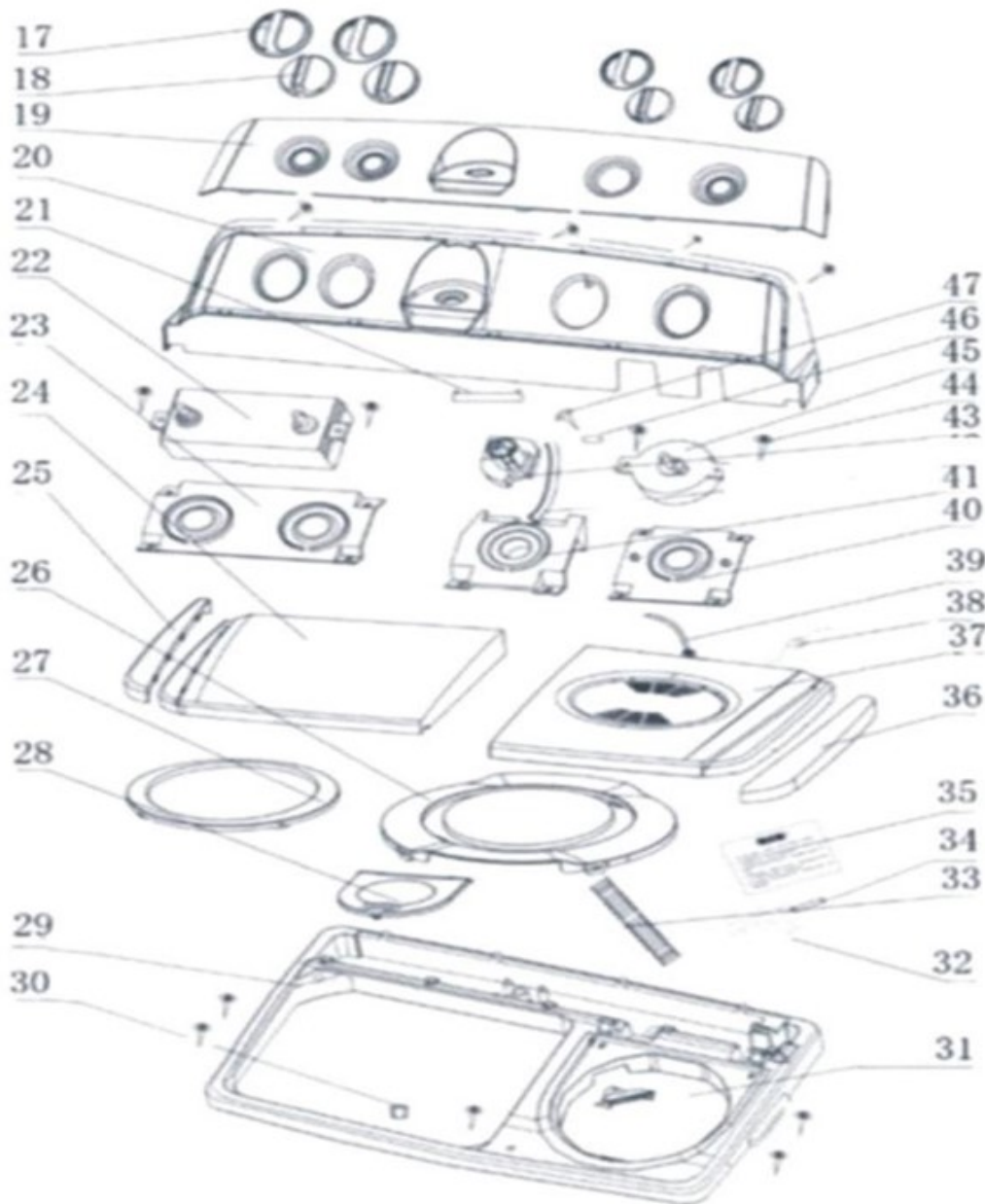
No.Ilus.	DESCRIPCIÓN	Cant.	No. de Parte
1	CARTON		*****
3	TOP FOAM		*****
4	TRIANGLE FOAM		*****
5	PLASTIC BAG		*****
6	NYLON BINDING WIRE		*****
7	BAG FOR WIRE		*****
8	INTERMINAL BOX		*****
9	BOTTOM PACKAGE BOARD		*****
10	BOTTOM FOAM		*****
11	BAG FOR MANUAL		*****
12	USER MANUAL		*****
13	WATER INLET HOSE		521001
14	SAFETY COVER		*****
15	SPIN TUB FOAM		*****
16	BAG FOR ACCESSORY		*****

Distribuidor Autorizado

SurteRápido.com

Venta de Refacciones
Electrodomesticas

Lavadora Whirlpool ALD1925FH



Distribuidor Autorizado

SurteRápido.com

Venta de Refacciones
Electrodomesticas



Lavadora Whirlpool ALD1925FH

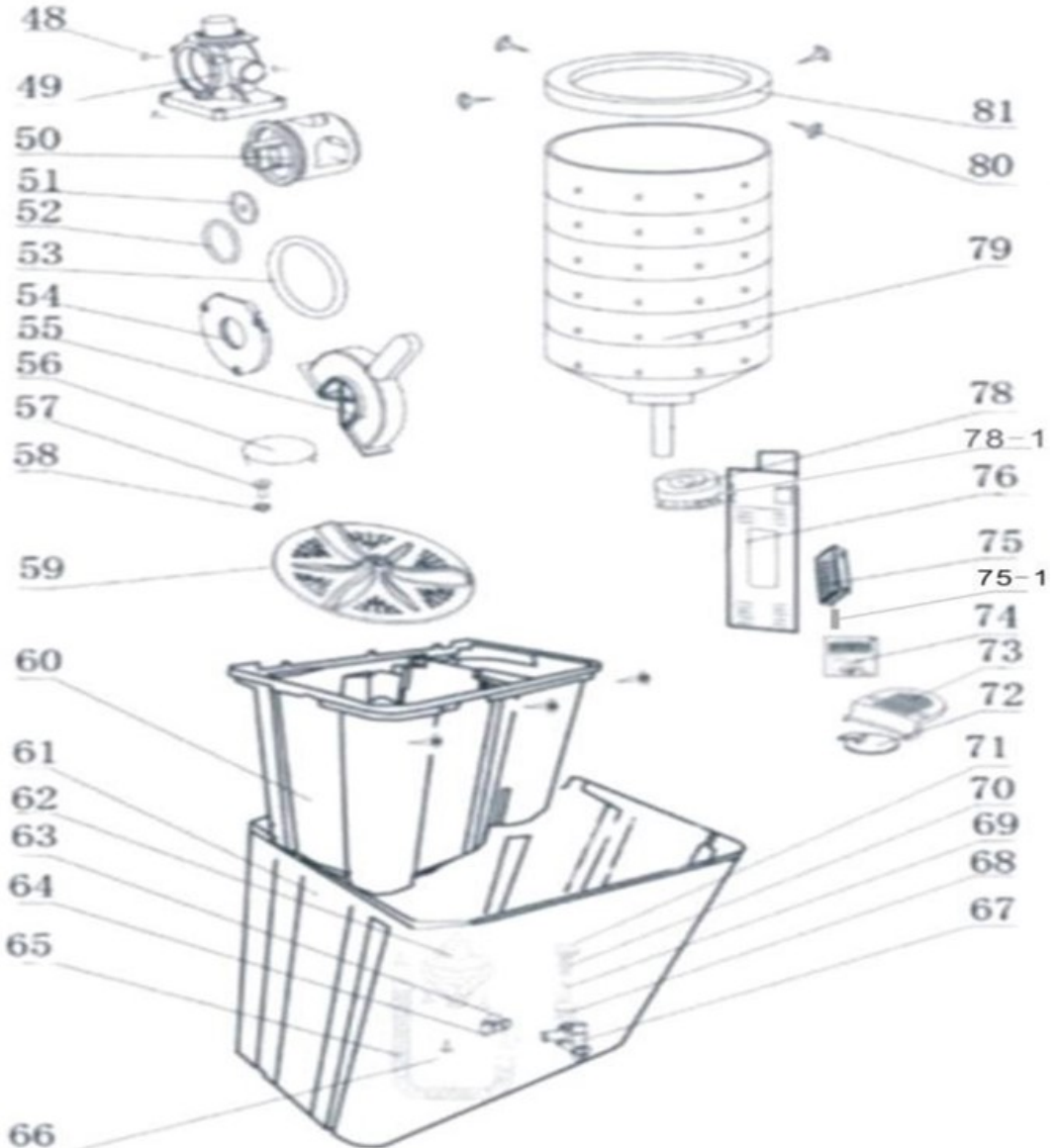
<u>No. Ilus.</u>	<u>DESCRIPCIÓN</u>	<u>Cant.</u>	<u>No. de Parte</u>
17	KNOB DECORATION XS12		5232721
18	KNOB XS12		5232622
19	CONTROL PANEL DECORATION		52932620
20	CONTROL PANEL		51638
21	LEAF SPRING		213096
22	WASH TIMER		2124650
23	WASH TIMER INSTALLAION		52708
24	WASH LID		51818911
25	LEFT DECORATION FOR WASH		529135
26	AIR DRY LID		52181
27	DECORATION FOR AIR DRY LID		52177
28	TRANSPARENT SPIN CAP		52408
29	FRAME		51742
30	RUBBER PLUG FOR FRAME		529402
31	WATER INLET HOPPER		52154
32	SAFETY SWITCH		212248
33	INLET HOSE FOR SPIN TUB		521008
36	RIGHT DECORATION FOR SPIN		529136
37	SPIN LID		51828411
38	LEFT SPRING		213084
39	BRAKE CONNECION BELT		216045
40	SPIN TIMER INSTALLATION		52712
41	DRAIN INSTALLATION BOARD		*****
43	DRAIN SELECTOR		52175
44	SCREW(ST4.2*12)		213022
45	SPIN TIMER		2121150
46	WASHER(φ5)		*****
47	SCREW(ST4.2×12-S)		213041

Distribuidor Autorizado

SurteRápido.com

Venta de Refacciones
Electrodomesticas

Lavadora Whirlpool ALD1925FH



Distribuidor Autorizado

SurteRápido.com

Venta de Refacciones
Electrodomesticas



Lavadora Whirlpool ALD1925FH

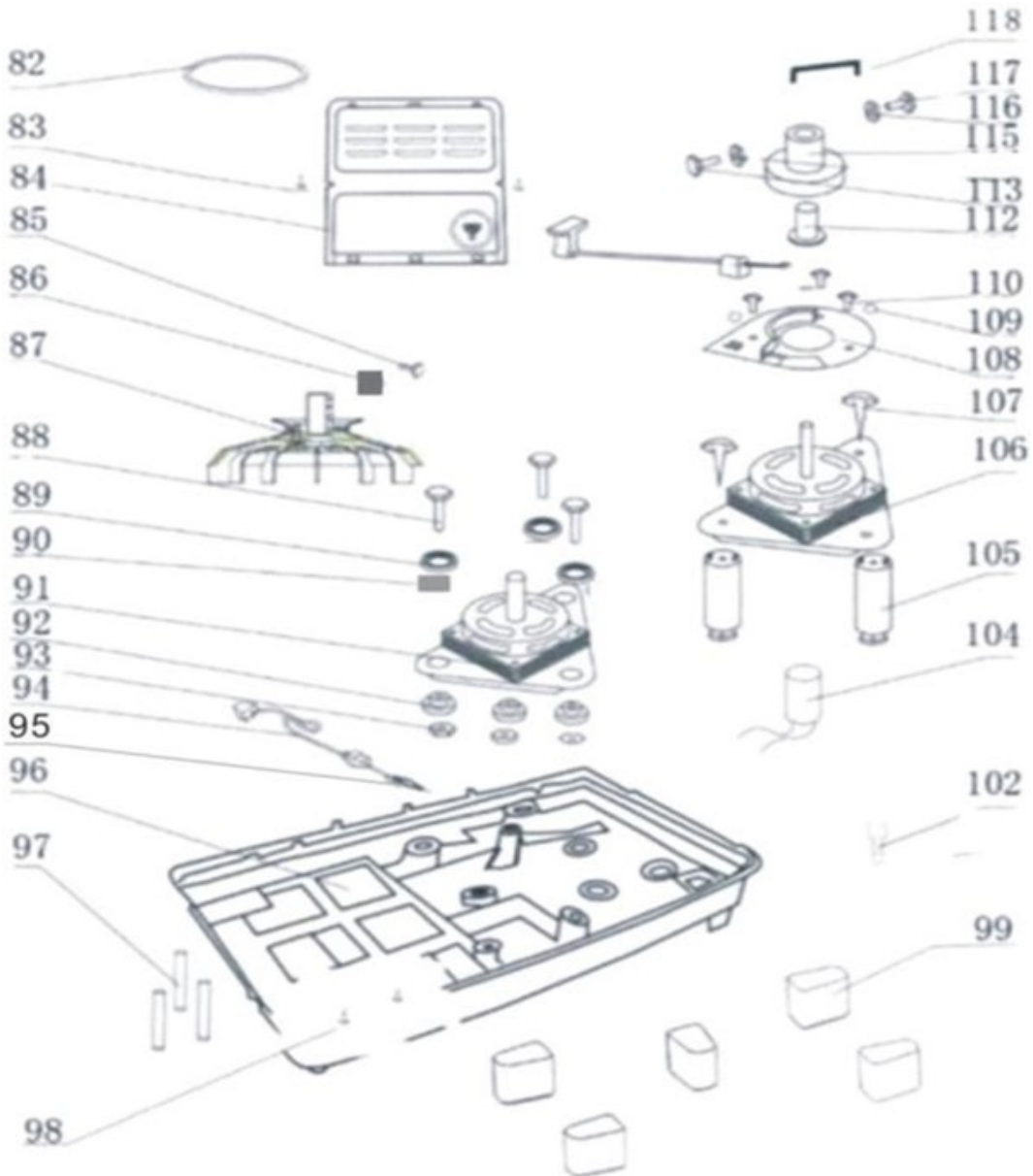
<u>No. Ilus.</u>	<u>DESCRIPCIÓN</u>	<u>Cant.</u>	<u>No. de Parte</u>
49	CURRENT DIVIDER		52506
50	CORE FOR CURRENT DIVIDER		52508
54	COVER FOR CURRENT DIVIDER		52518
55	HANDLE FOR CURRENT		5250221
56	PULSATOR COVER		52216
57	PULSATOR SCREW(6×24)		21.3.044
58	WASHER FOR PULSATOR		21.3.054
59	PULSATOR		5223123
60	INNER TUB		51109
61	PLASTIC CASE		51206
62	METAL ASS'Y 1:4.3		24097
63	DRAIN ELBOW		211031
64	DRAIN JOINT		211033
65	DRAIN HOSE		521025
66	SCREW(ST5.5×20)		213026
67	DRAIN VALVE BASE		21.1.028
68	DRAIN VALVE CORE		215014
69	PULL POLE		211029
70	COMPRESS SPRING		21.3.081
71	DRAIN VALVE CAP		211030
72	FOOT VALVE SHUTTER		215021
73	LINT FILTER		52823
75	LINT FILTER ASS'Y		5280823
76	OVERFLOW COVER		5280323
78	SPIN SWAL		215022
79	SPIN TUB		51507
80	SCREW(ST4.2×12-S)		213041
81	BALANCE RING		529507

Distribuidor Autorizado

SurteRápido.com

Venta de Refacciones
Electrodomesticas

Lavadora Whirlpool ALD1925FH



Distribuidor Autorizado

SurteRápido.com

Venta de Refacciones
Electrodomesticas



Lavadora Whirlpool ALD1925FH

<u>No. Ilus.</u>	<u>DESCRIPCIÓN</u>	<u>Cant.</u>	<u>No. de Parte</u>
0	V-BELT		215004
84	BACK COVER		52609
87	MOTOR FAN		213131
88	MOTOR COMBINED SCREW(6*32)		216122
89	MOTOR RUBBER CUSHION(UPPER)		215017
91	WASH MOTOR		23599
92	MOTOR RUBBER CUSHION(DOWN)		215035
93	MOTOR COMBINED NUT		213104
94	POWER CORD		2121790
95	FUSE		2122560
96	PLASTIC BASE		514163
97	PLASTIC SUPPORT PIPE		*****
98	SCREW(ST4.2×14)		*****
99	FEET		52188
102	WIRE NUT		*****
104	CONDENSER		2124610
105	SPRING SLEEVE ASS'Y		216407
106	SPIN MOTOR		23600
107	SCREW(ST5.5×16)		213025
108	BRAKE WHEEL ASS'Y		213150
109	SPRING WASHER		*****
110	SCREW(N4*6)		213016
112	INSULATION BUSHING		52148
113	COMBINED SCREW(M6×18)		213001
115	COUPLER		21.3.058
116	NUT(M8)		213010
117	BOLT(M8×20)		213002