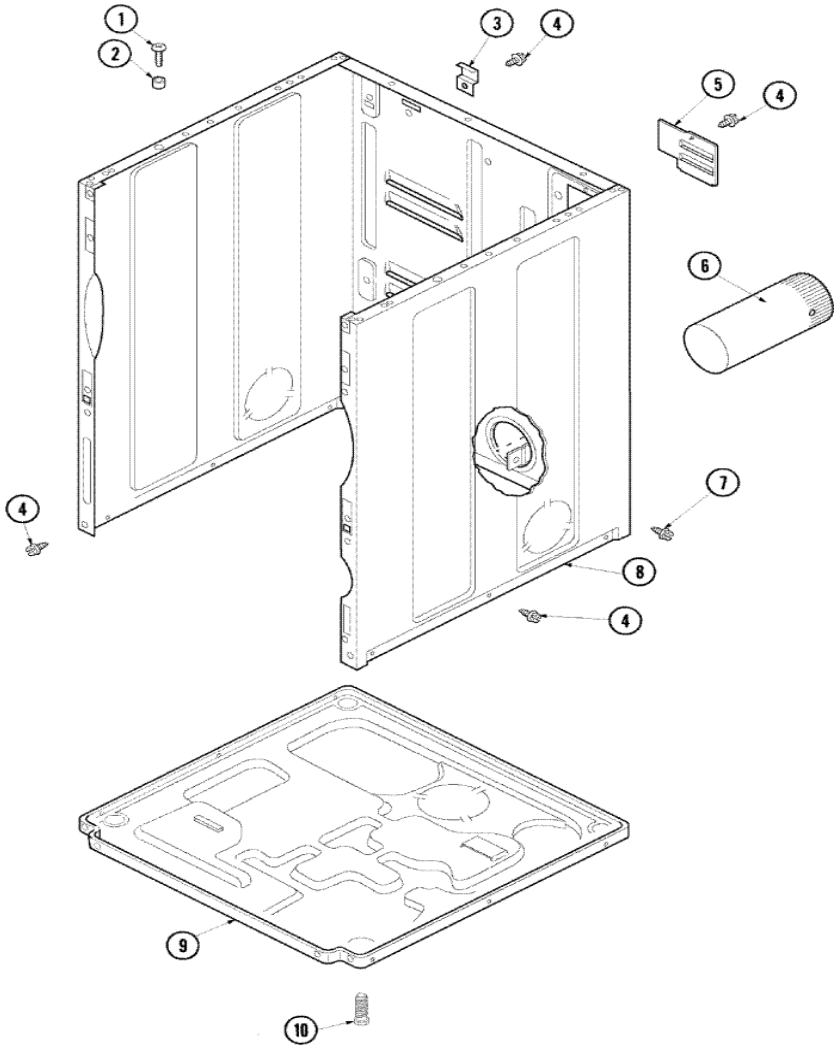


ALG331RAC GABINETE





ALG331RAC GABINETE

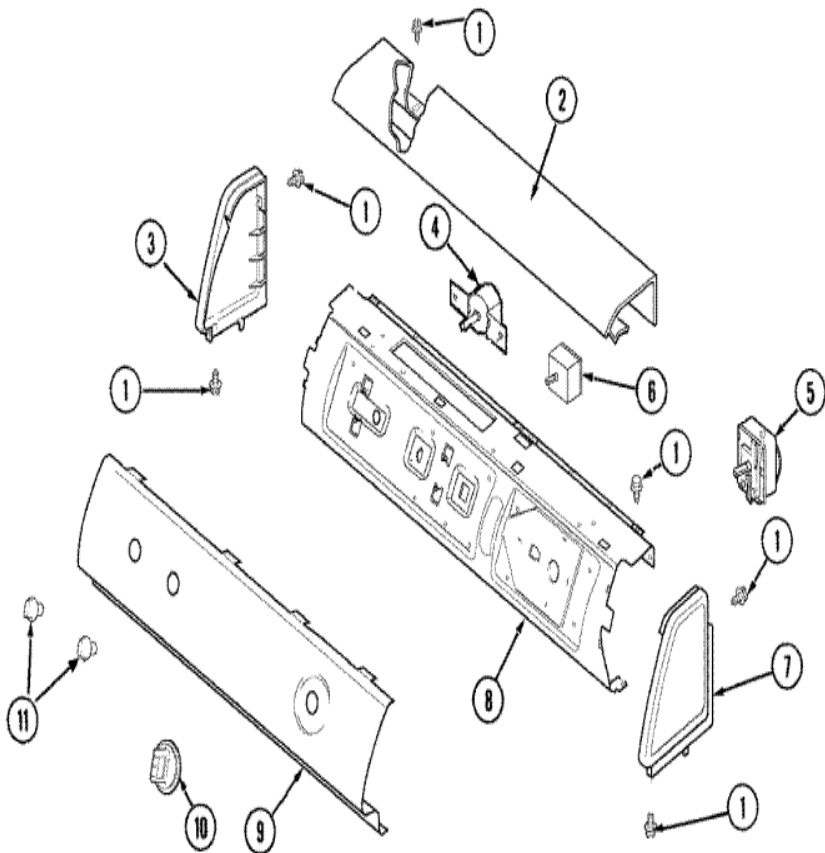
1	32671	DESCONTINUADO
2	505187	LOCATOR, PANEL (S/P)
3	500003	HINGE, TOP (S/P)
4	503661	DESCONTINUADO
5	503293	PLATE, ACCESS COVER (S/P)
6	505518	DUCT, EXHAUST (S/P)
7	503688	SCREW (S/P)
8	40076402CP	CABINET, DRYER & WASHER (BSQ) (S/P)
9	500070	BASE, DRYER (S/P)
10	Y500101	LEG, LEVELING (PLASTIC) (S/P)

Distribuidor Autorizado

SurteRápido.com

Venta de Refacciones
Electrodomesticas

ALG331RAC TABLERO

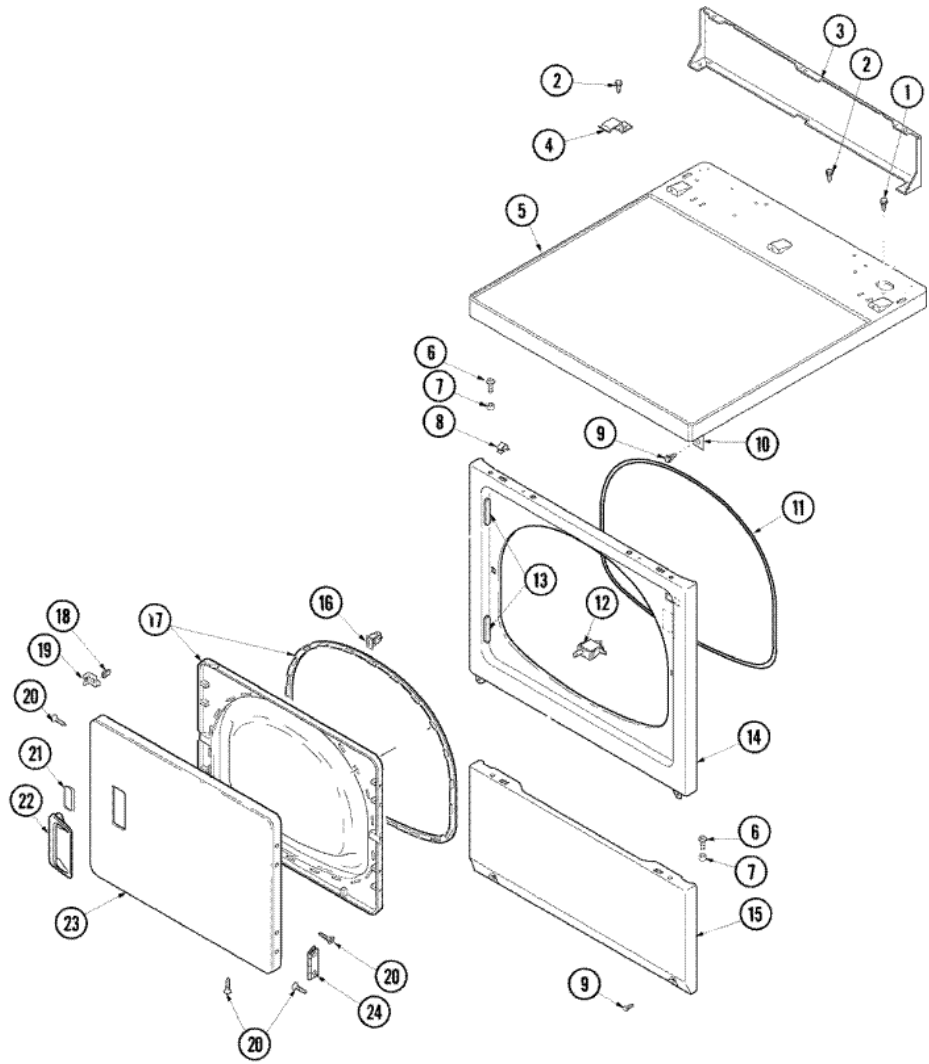




ALG331RAC TABLERO

1	501086	DESCONTINUADO
2	503674C	COVER, TOP (BSQ) (S/P)
3	40012702C	ENDCAP (LT-BSQ) (S/P)
4	40084101	SWITCH, FAB SEL-3 POSITION (S/P)
5	37001020	TIMER (4 CYCLE) (S/P)
5	R0000409	TIMER (S/P)
6	40070501	BUZZER, ADJUSTABLE (S/P)
7	37001061	ENDCAP (RT-BSQ) (S/P)
8	40039610	PANEL, SUPPORT (S/P)
9	40091901C	PANEL, GRAPHIC(BISQUE) (S/P)
10	40013601C	ASSY, TIMER KNOB (BSQ) (S/P)
11	40013402C	KNOB, SELECTOR (BSQ) (S/P)
12	37001024	HARNESS, WIRE (S/P)

ALG331RAC PUERTA

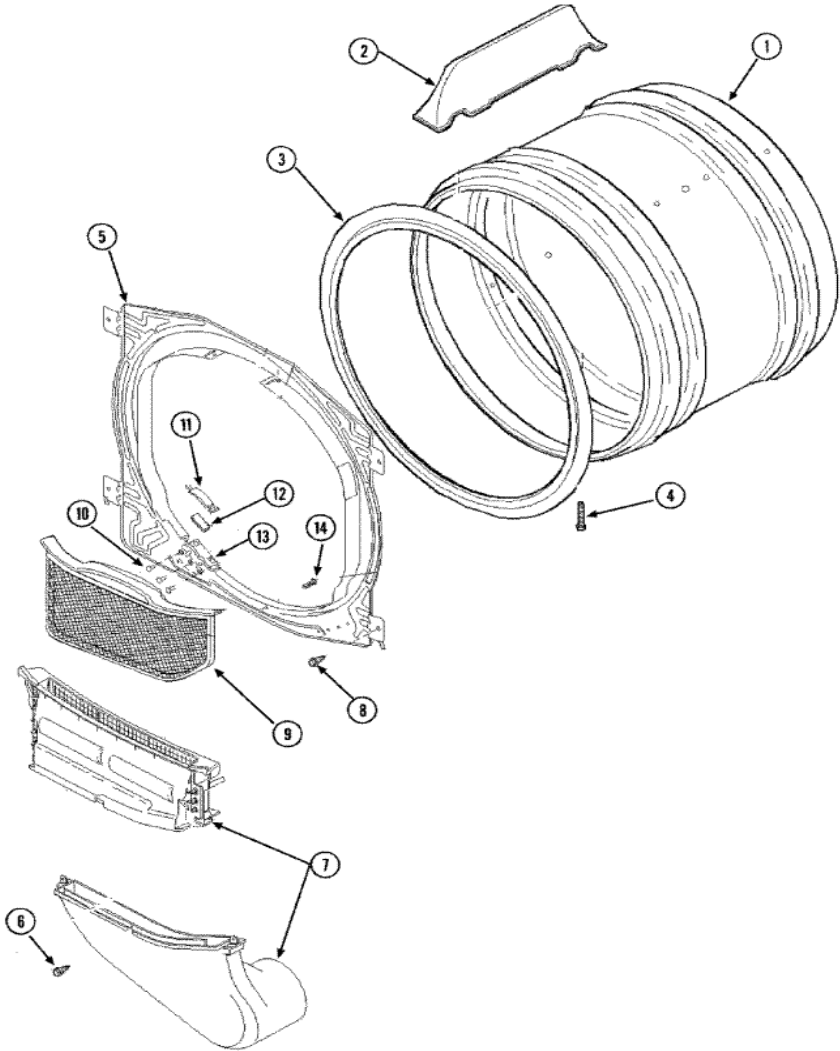




ALG331RAC PUERTA

1	503688	SCREW (S/P)
2	501086	DESCONTINUADO
3	40121401	PANEL, HOME HOOD BACK (S/P)
4	Y503876	DESCONTINUADO
5	40114301CP	PANEL, TOP (BSQ) (S/P)
6	32671	DESCONTINUADO
7	505187	LOCATOR, PANEL (S/P)
8	22001650	CLIP, SPRING
9	503661	DESCONTINUADO
10	40130801	BRACKET, TOP MOUNT (S/P)
11	504005	SEAL, FRONT PANEL (S/P)
12	504570	SWITCH, DOOR
13	503126	PLUG, HINGE HOLE (S/P)
14	503656CP	PANEL, FRONT (BSQ) (S/P)
15	40045301CP	PANEL, ACCESS (BSQ) (S/P)
16	LA-1003	CATCH, DOOR
17	37001028	ASSEMBLY, SEAL & LINER (S/P)
18	500039	STRIKE, DOOR (METAL) (S/P)
19	40116201	BRACKET, DOOR STRIKE (S/P)
20	500226	SCREW, 8B-16X5/8 TAP (S/P)
21	505328	WEDGE, DOOR HANDLE (S/P)
21	W10124350	NOT REQUIRED PART OR SEE NOTE (S/P)
22	37001047	HANDLE, DOOR (BSQ) (S/P)
22	503646C	DESCONTINUADO
23	12002135	DOOR, DRYER (BSQ) (S/P)
23	37001034	DOOR, DRYER (BSQ) (S/P)

ALG331RAC TAMBOR

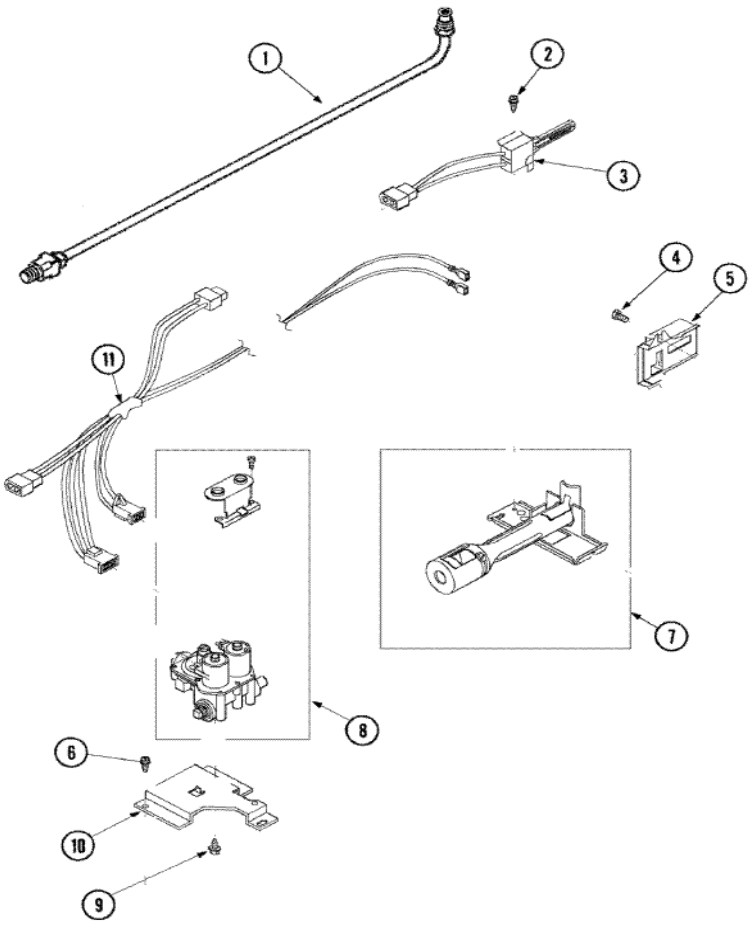




ALG331RAC TAMBOR

1	504467WP	CYLINDER ASSEMBLY (PAINTED) (S/P)
2	12002559	BAFFLE, CYLINDER (WHT) (S/P)
3	37001132	SEAL, CYLINDER
4	Y62588	SCREW, 10BT-12 X 1 TAP (S/P)
5	503756W	ASSY, BLKHD FRONT CO (S/P)
6	501285	SCREW, NO.12 X 9/16 (S/P)
7	37001141	ASSEMBLY, AIR DUCT
8	503688	SCREW (S/P)
9	33001142	FILTER, LINT (WHT)
10	37001031	SCREW, NO.8-32X3/8`` HEX (S/P)
11	37001298	GLIDE, CYLINDER(TAN)
12	500092	PAD, FELT (S/P)
13	37001036	BRACKET, CYLINDER GLIDE (S/P)
14	500226	SCREW, 8B-16X5/8 TAP (S/P)

ALG331RAC QUEMADOR

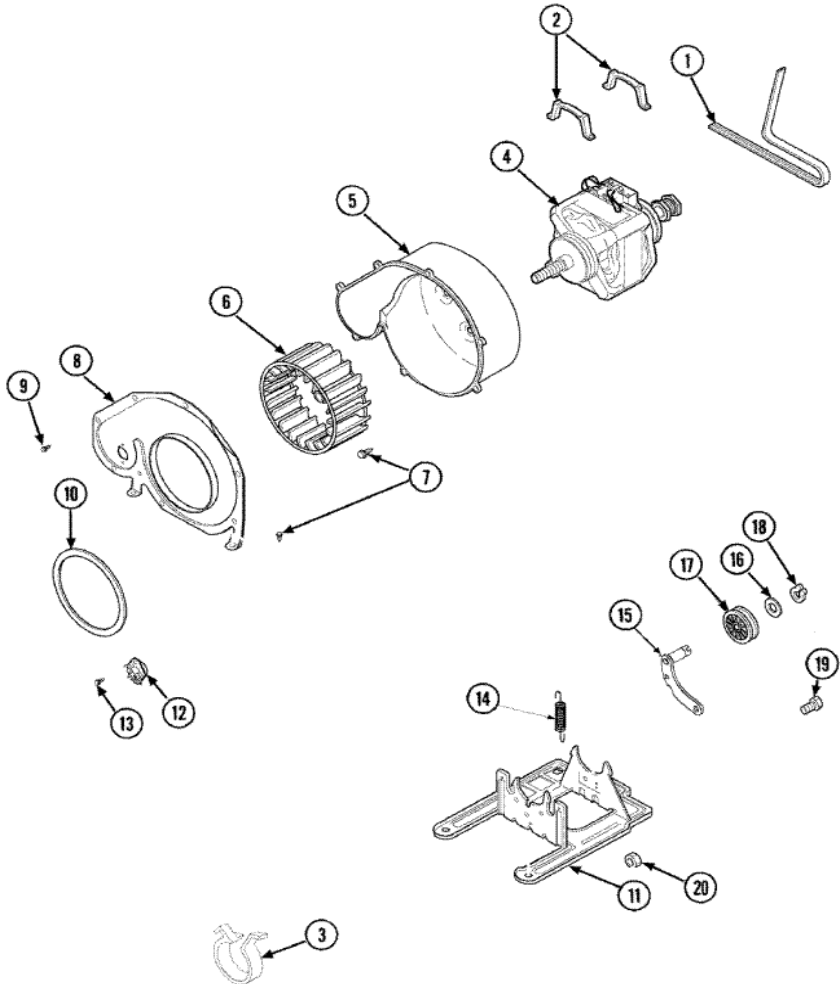




ALG331RAC QUEMADOR

1	37001127	PIPE, LEAD-IN (S/P)
2	51782	SCREW, 6B-20X5/16 (S/P)
3	37001308	IGNITER & BRACKET ASSEMBLY
4	23222	SCREW, 8B-18 X 1/4 HE (S/P)
5	338906	SENSOR, FLAME
6	503688	SCREW (S/P)
7	56234	ASSEMBLY, BURNER
8	279834	COIL KIT, GAS DRYER VALVE (2)
8	37001002	ASSEMBLY, GAS VALVE (S/P)
9	56124	SCREW, 8T-32X3/8 HE (S/P)
10	500821	BRACKET, MOUNTING (S/P)
11	37001007	HARNESS, WIRE (GAS VALVE) (S/P)

ALG331RAC MOTOR

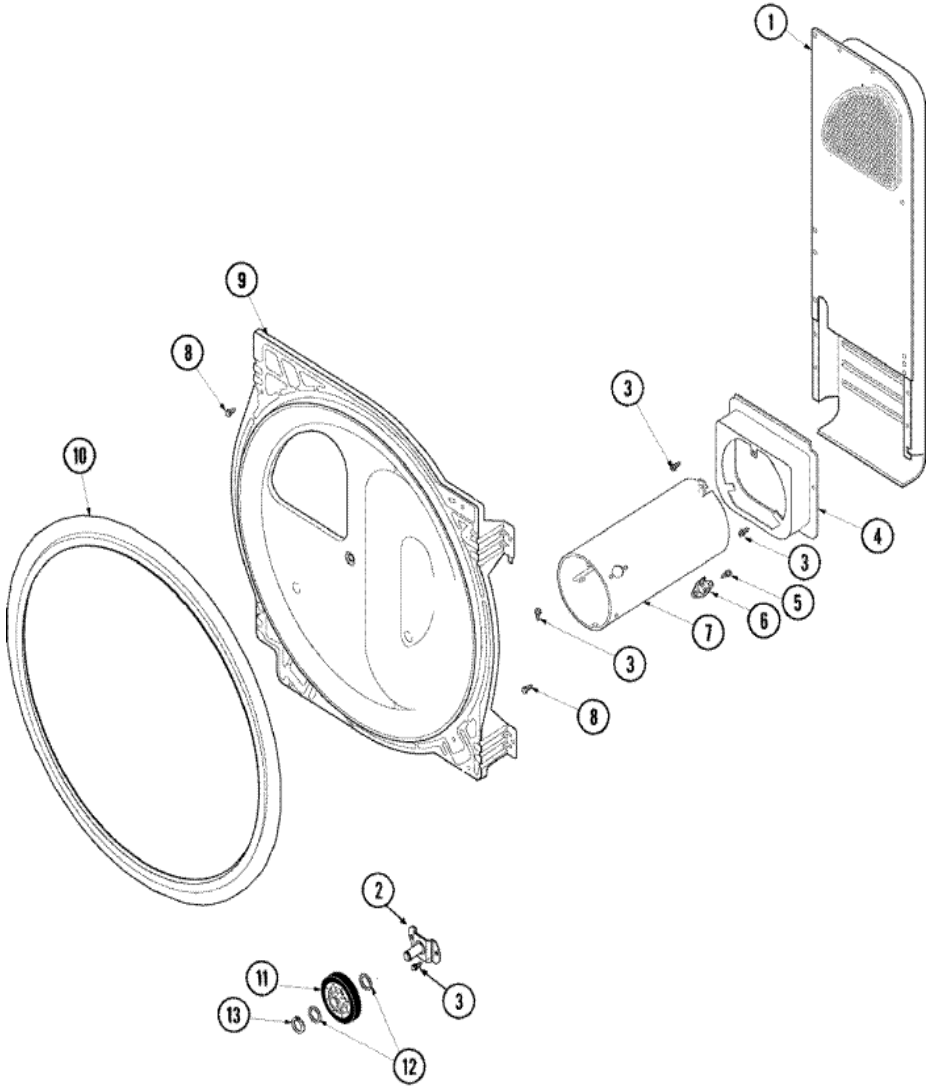




ALG331RAC MOTOR

1	40111201	BELT, CYLINDER
2	660658	CLAMP, MOTOR MOUNT (S/P)
3	504034	CLIP, WIRE (S/P)
4	2200376	ASSEMBLY, MOTOR & PULLEY
5	511969P	HOUSING, BLOWER
6	56000	ASSEMBLY, BLOWER FAN
7	503661	SCREW, 10-16X.44 UNS (S/P)
8	500078	COVER, BLOWER HOUSING
9	31260	SCREW, NO.8 X 3/8 IND H (S/P)
10	37001119	SEAL, BLOWER HOUSING (S/P)
11	61623	HEATER, THERMOSTAT
12	503979	THERMOSTAT (CYCLING PK/WHT) (S/P)
13	M0211217	SCREW (S/P)
14	56076	SPRING, IDLER (S/P)
15	37001144	ASSY, IDLER LEVER (S/P)
16	52549	WASHER, 501 ID X3/4 ODX (S/P)
17	510142P	ASSEMBLY, WHEEL & BEARING
18	23748	RING, RETAINING (S/P)
19	500824	SCREW, 1/4-20 UNC HEX (S/P)
20	27001225	NUT, HEX JAM 1/4-20L (S/P)
21	503613	MOUNT, MOTOR (S/P)

ALG331RAC RESISTENCIA





ALG331RAC RESISTENCIA

1	503605	ASSEMBLY, HEATER DUCT (S/P)
2	40113601	ASSY, ROLLER BRKT
3	503688	SCREW (S/P)
4	500122	DESCONTINUADO
5	51782	SCREW, 6B-20X5/16 (S/P)
6	40113801	FUSE, THERMAL
6	61886	THERMOSTAT, LIMIT
7	37001303	DUCT, COMBUSTION (S/P)
8	503661	SCREW, 10-16X.44 UNS (S/P)
9	502614WP	BULKHEAD, REAR (S/P)
10	37001132	SEAL, CYLINDER
11	37001042	ASSEMBLY, CYLINDER ROLLER
12	52549	WASHER, 501 ID X3/4 ODX (S/P)
13	23748	RING, RETAINING (S/P)