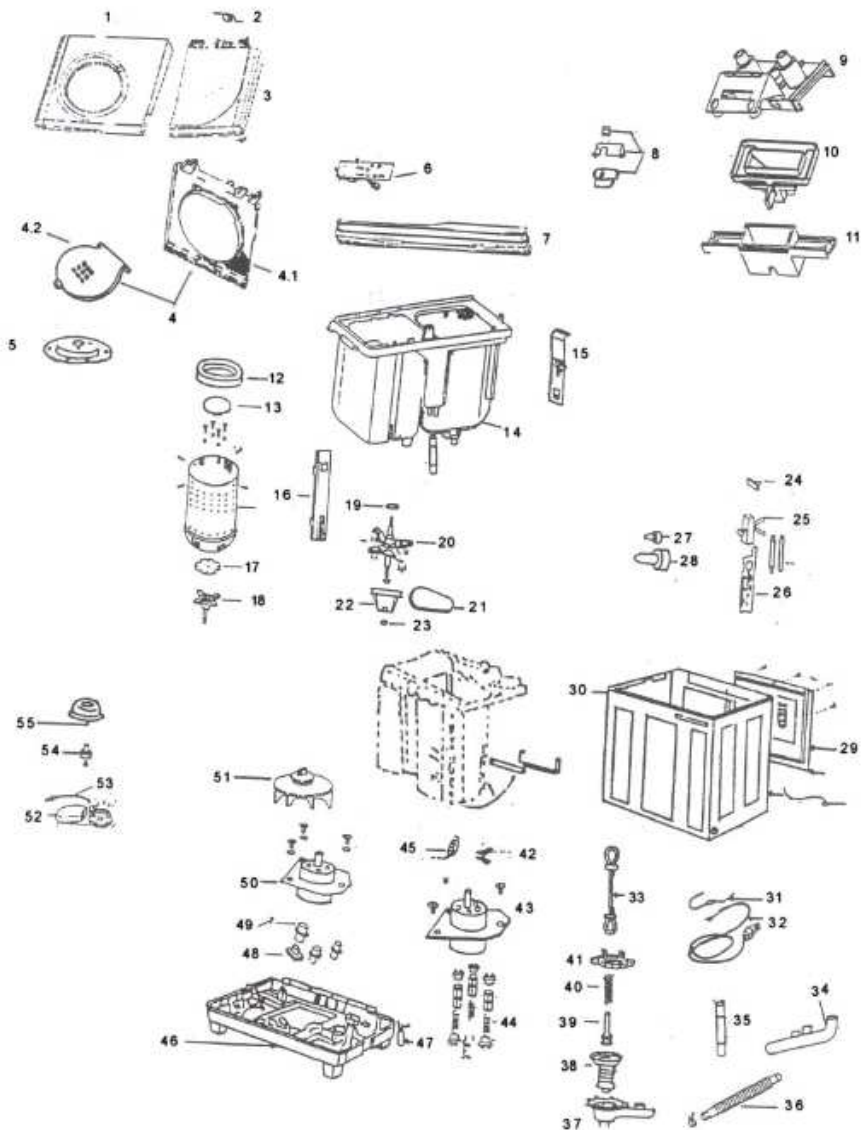


Distribuidor Autorizado

SurteRápido.com

Venta de Refacciones  
Electrodomesticas

ALT6035CEKB0





**ALT6035CEKB0**

|     |             |                              |
|-----|-------------|------------------------------|
| 1   | P015660150B | LID WASH ASSY (S/P)          |
| 2   | P015600020A | SPRING LID (S/P)             |
| 3   | P015660160A | LID SPIN ASSY (S/P)          |
| 4   | P0156120100 | TOP PLATE & INNER ASSY (S/P) |
| 4.1 | P015600500A | TOP PLATE (S/P)              |
| 4.2 | P010690210B | INNER COVER (S/P)            |
| 5   | P014200010B | SPIN CAP (S/P)               |
| 6   | P015640880A | WASH TIMER BASE ASSY (S/P)   |
| 7   | P0156004300 | FRONT PANEL (S/P)            |
| 8   | P013240250D | KNOB SLIDE SELECTOR (S/P)    |
| 9   | P013240130A | RETAINER SPIN SHOWER (S/P)   |
| 10  | P015640020B | DIVERTOR (S/P)               |
| 11  | P013240040D | HOUSING LEVER CONTROL (S/P)  |
| 12  | P010613120G | BALANCE RING (S/P)           |
| 13  | P014213020B | COVER SPIN BASKET (S/P)      |
| 14  | P010612260I | TUB COGGY (S/P)              |
| 15  | P0156000100 | BRACKET BRAKE WIRE (S/P)     |
| 16  | P010612330C | LOWER WATER INLET (S/P)      |
| 17  | P0156130200 | PLATE REINFORCEMENT (S/P)    |
| 18  | P010613020R | SHAFT FIX PLATE ASSY (S/P)   |
| 19  | P0156120300 | ELLIPTICAL O RING (S/P)      |
| 20  | P0156173100 | DRIVE ASSY (S/P)             |
| 21  | P010600530B | V-BELT (S/P)                 |
| 22  | P013212070C | PULLEY DRIVE (S/P)           |
| 23  | S0116002000 | WASHER (S/P)                 |
| 24  | P010612400D | COVER SLINDER (S/P)          |
| 25  | P014212020D | SLIDER ADJ O/F (S/P)         |
| 26  | P010612340D | OVER FLOW FILTER (S/P)       |
| 27  | S0171000200 | PIG TAIL CONNECTOR 2 (S/P)   |
| 28  | S017100000A | PIG TAIL CONNECTOR 3 (S/P)   |
| 29  | P014200070C | INSPECTION COVER (S/P)       |
| 30  | P0156211400 | CABINET WRAP (S/P)           |
| 31  | P013840080A | FUSE ASSY (S/P)              |

|    |             |                             |
|----|-------------|-----------------------------|
| 32 | P013840310A | POWER CORD (S/P)            |
| 33 | P015040120B | STRAP DRAIN (S/P)           |
| 34 | P010612040G | INLET JOIT (S/P)            |
| 35 | P010612450D | HOSE TUB TO DRAIN (S/P)     |
| 36 | P0106124800 | DRAIN HOSE (S/P)            |
| 37 | P010612520E | VALVE HOUSING (S/P)         |
| 38 | P010612050A | BELLOWS VALVE (S/P)         |
| 39 | P0106122000 | VALVE ROD ADJUSTABLE (S/P)  |
| 40 | P010612460C | VALVE SPRING (S/P)          |
| 41 | P010612390D | VALVE CAP (S/P)             |
| 42 | P010618050A | BAND BRAKE (S/P)            |
| 43 | P013818020C | MOTOR SPIN (S/P)            |
| 44 | P0132180300 | CUSH MOTOR ASSY (S/P)       |
| 45 | P010618130A | SPRING BRAKE (S/P)          |
| 46 | P0136181100 | UNDER BASE ASSY (S/P)       |
| 47 | P0138180700 | CAPACITOR (S/P)             |
| 48 | P0106181800 | GROMMET SUPPORT PLATE (S/P) |
| 49 | P010618150A | GROMMET EMPAQUE (S/P)       |
| 50 | P013818010E | MOTOR WASH (S/P)            |
| 51 | P0142180300 | PULLEY FAN PLATIC           |
| 52 | P0106182700 | BRAKE FIX PLATE ASSY (S/P)  |
| 53 | P0156180400 | BRAKE WIRE ASSY (S/P)       |
| 54 | P012618250C | BUSH BRAKE DRUM (S/P)       |
| 55 | P0106180200 | BRAKE DRUM (S/P)            |