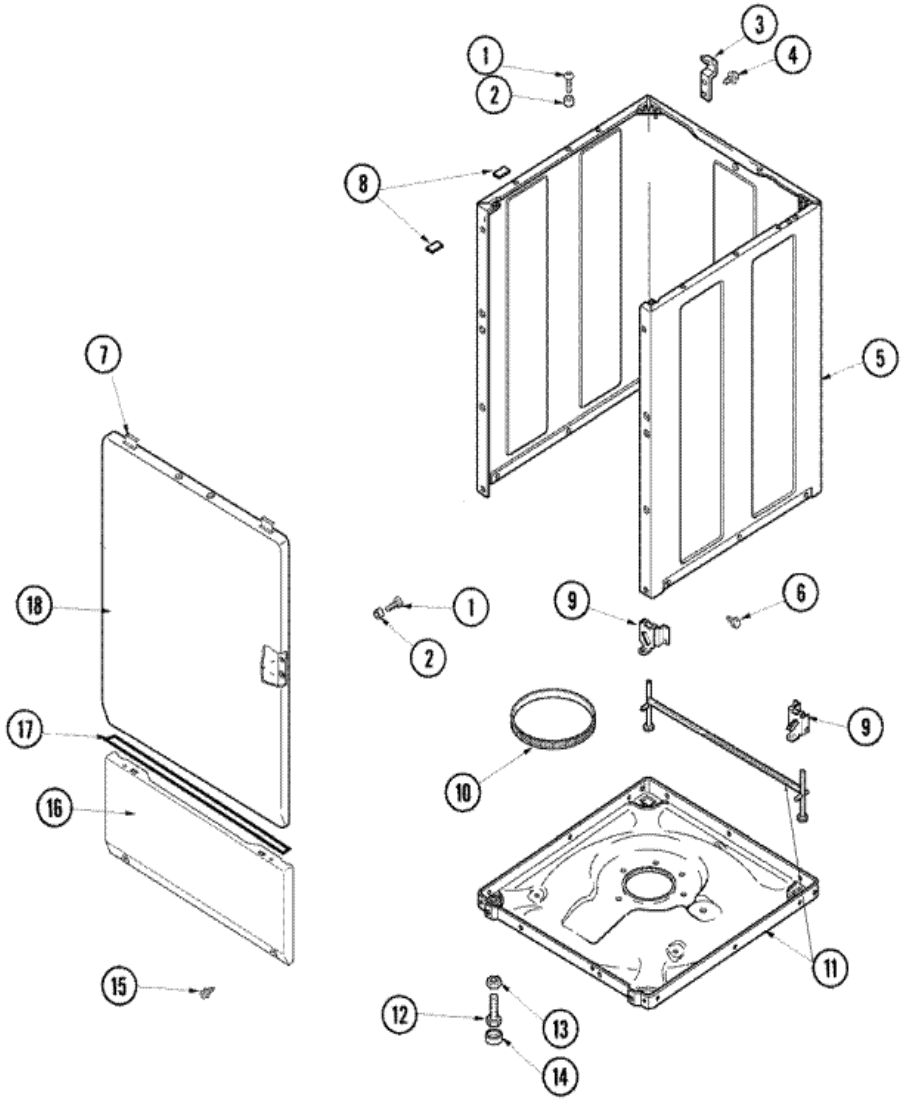


ALW210RMC GABINETE

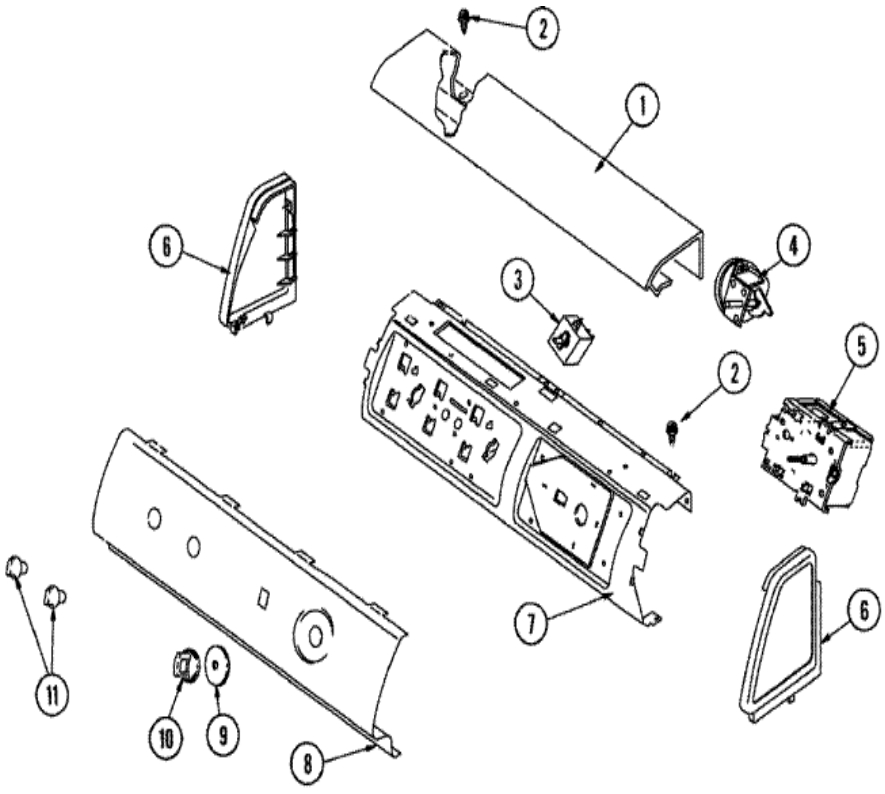




ALW210RMC GABINETE

1	32671	SCREW, TAPPING (S/P)
2	505187	LOCATOR, PANEL (S/P)
3	500003	HINGE, TOP (S/P)
4	40064801	SCREW, 10B-16X1/4 (S/P)
5	40076402CP	CABINET, DRYER & WASHER (BSQ) (S/P)
6	40038201	SCREW, 12BX1/2No.10 HX (S/P)
7	501086	SCREW, 8B-18X3/8 SLT (S/P)
7	22001650	CLIP, SPRING
7	40034202	CLIP, SPRING (BOTTOM) (S/P)
8	Y56128	PAD, BUMPER (S/P)
9	40031501	BRACKET, SELF LEVELING (S/P)
10	40037401	RING, FRICTION
11	27001226	ASSY, BASE & LEVEL DOME (S/P)
12	40039001	LEG, LEVELING
13	40038101	NUT, LEG (S/P)
14	40016001	FOOT, RUBBER
15	40034101	SCREW, No.12BX1/2 (S/P)
16	40045301CP	PANEL, ACCESS (BSQ) (S/P)
17	40083101	TAPE, FOAM (S/P)
18	40035401CP	PANEL, FRONT (BSQ) (S/P)
20	34677	10 CIRCUIT PLUG (S/P)
21	321P4	HOOK, SPRING (S/P)
22	27001185	SHIPPING BRACE ASSEMBLY (S/P)
23	282P4	T25 TAMPER RESISTANT BIT (S/P)
24	293P4	SEAL TOOL (S/P)
24	283P4	TERMINAL EXTRACTOR TOOL (S/P)
25	306P4	HEX WRENCH (S/P)
26	27001185	SHIPPING PLUG (S/P)
27	294P4B	DRIVE BELL BOLT (S/P)
28	294P4	BELL TOOL
29	254P4P	AGITATOR HOOKS (S/P)
30	273P4	TUB COVER GASKET TOOL (S/P)

ALW210RMC TABLERO

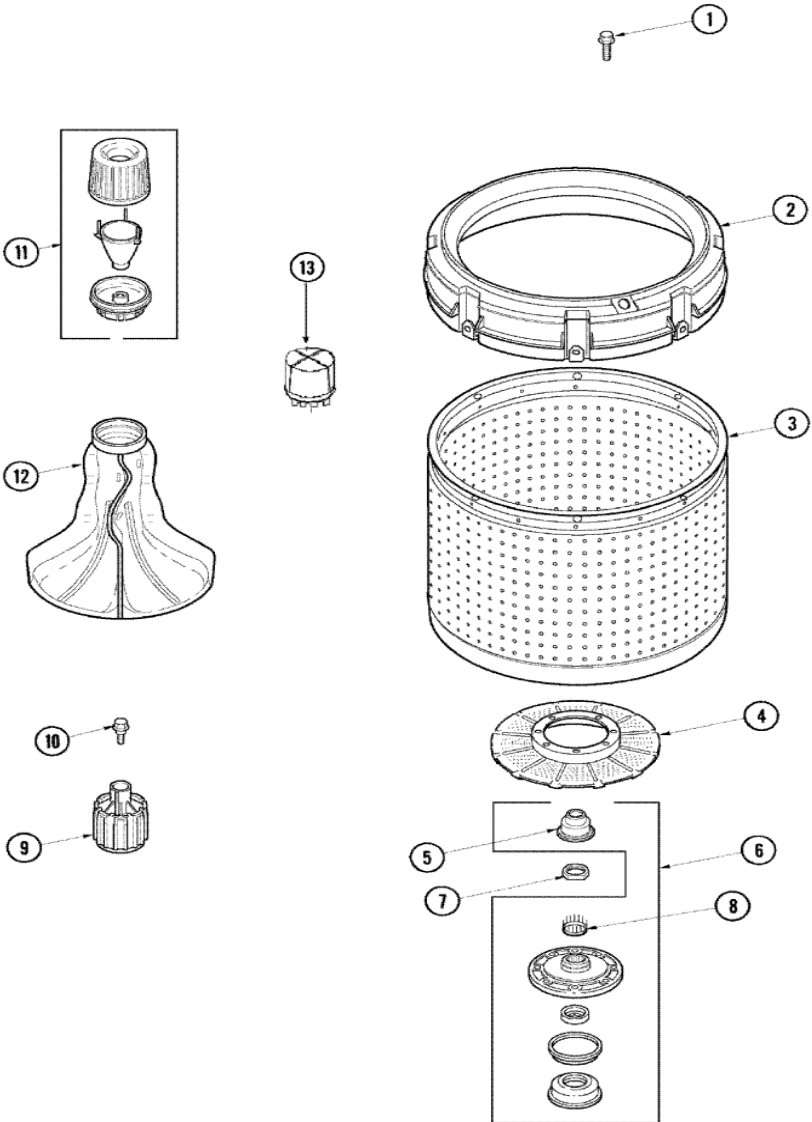




ALW210RMC TABLERO

1	503674C	COVER, TOP (BSQ) (S/P)
2	501086	SCREW, 8B-18X3/8 SLT (S/P)
3	40077101	SWITCH, TEMPERATURE SELECT (S/P)
4	40077201	SWITCH, PRESSURE (3 POS) (S/P)
5	40058701	TIMER, 6 CYCLE(MALLORY)
6	37001061	ENDCAP (RT-BSQ) (S/P)
6	40012702C	ENDCAP (LT-BSQ) (S/P)
7	40039601	SUPPORT, CONTROL PANEL (S/P)
8	40122401C	PANEL, GRAPHIC-210 MEXICO (S/P)
8	40083301	MEDALLION (S/P)
9	27001134	DIAL, TIMER KNOB(BISQUE) (S/P)
10	40014001C	ASSY, TIMER KNOB (BSQ) (S/P)
11	40013401C	ASSY, SELECTOR KNOB (BSQ) (S/P)

ALW210RMC TINA

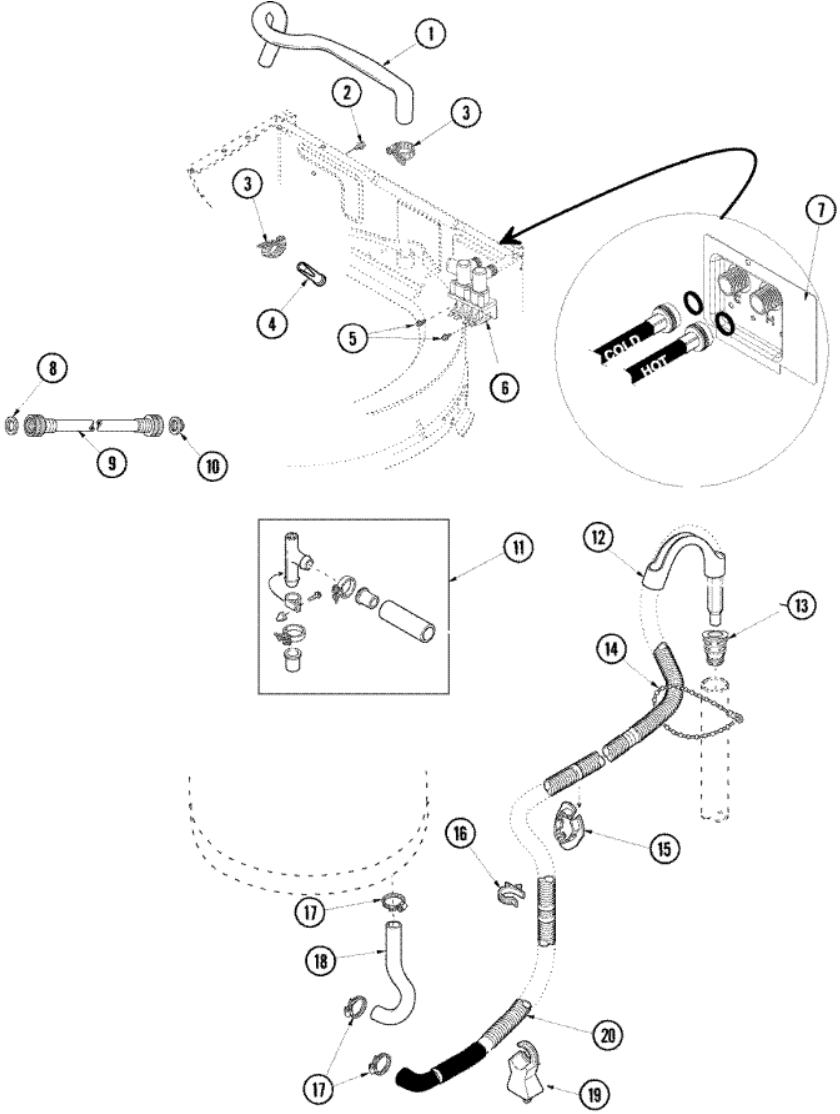




ALW210RMC TINA

1	40063301	SCREW, 5/16-18X7/8 HX (S/P)
2	27001052	ASSEMBLY, BALANCE RING (S/P)
3	719P3	ASSEMBLY, WASH TUB (S/P)
5	40016101	SEAL, BELL DRIVE
6	R9900457	KIT, HUB AND SEAL
7	40016301	NUT, LOCK
8	40008301	INSERT, SPLINE
9	R9900189	KIT, DRIVE BELL AND SEAL
10	40065102	SCREW, SHOULDER 1/4 (S/P)
11	40002101W	ASSEMBLY, FABRIC SOFTNER
12	40000501W	AGITATOR, FLEX VANE

ALW210RMC MANGUERAS

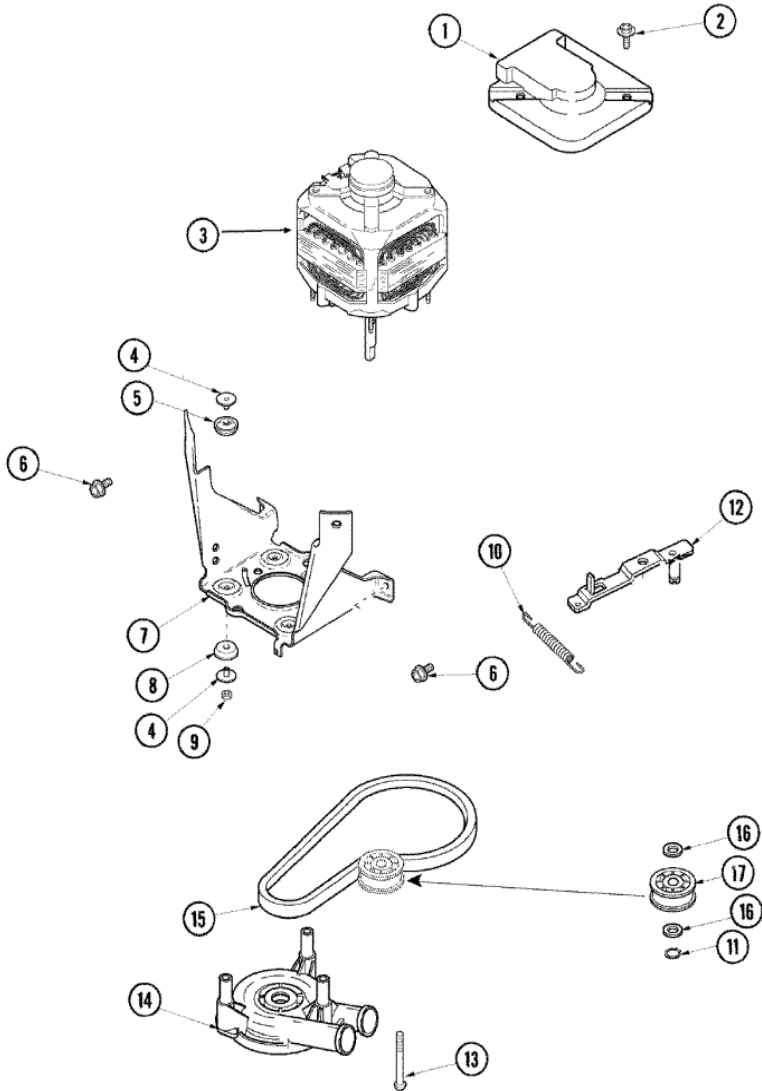




ALW210RMC MANGUERAS

1	27001184	HOSE, MIXING VALVE TO TUB (S/P)
2	503661	SCREW, 10-16X.44 UNS (S/P)
3	36801	CLAMP, HOSE (S/P)
4	22001900	PREVENTOR, BACKFLOW (S/P)
5	501086	SCREW, 8B-18X3/8 SLT (S/P)
6	R0131578	VALVE, MIXING E1 (S/P)
7	40098801	PLATE, MIXING VALUE (S/P)
8	20290	WASHER, 19/32 IDX1.031 (S/P)
9	21001466	HOSE, WATER INLET (COLD) (S/P)
10	22002960	WASHER, FILTER (S/P)
11	562P3	SIPHON KIT
12	22003814	SLEEVE, DRAIN HOSE (S/P)
13	40008101	ADAPTER, STANDPIPE (S/P)
14	8539404	STRAP, STANDPIPE-BEADED (S/P)
15	40058501	RELIEF, STRAIN DRAIN (S/P)
16	36014	CLIP, RETAINER-HOSE (S/P)
17	27001024	CLAMP, HOSE (S/P)
18	40094201	HOSE, TUB TO PUMP (S/P)
19	40044901	STAND, HOSE (S/P)
20	40053901	HOSE, DRAIN

ALW210RMC MOTOR

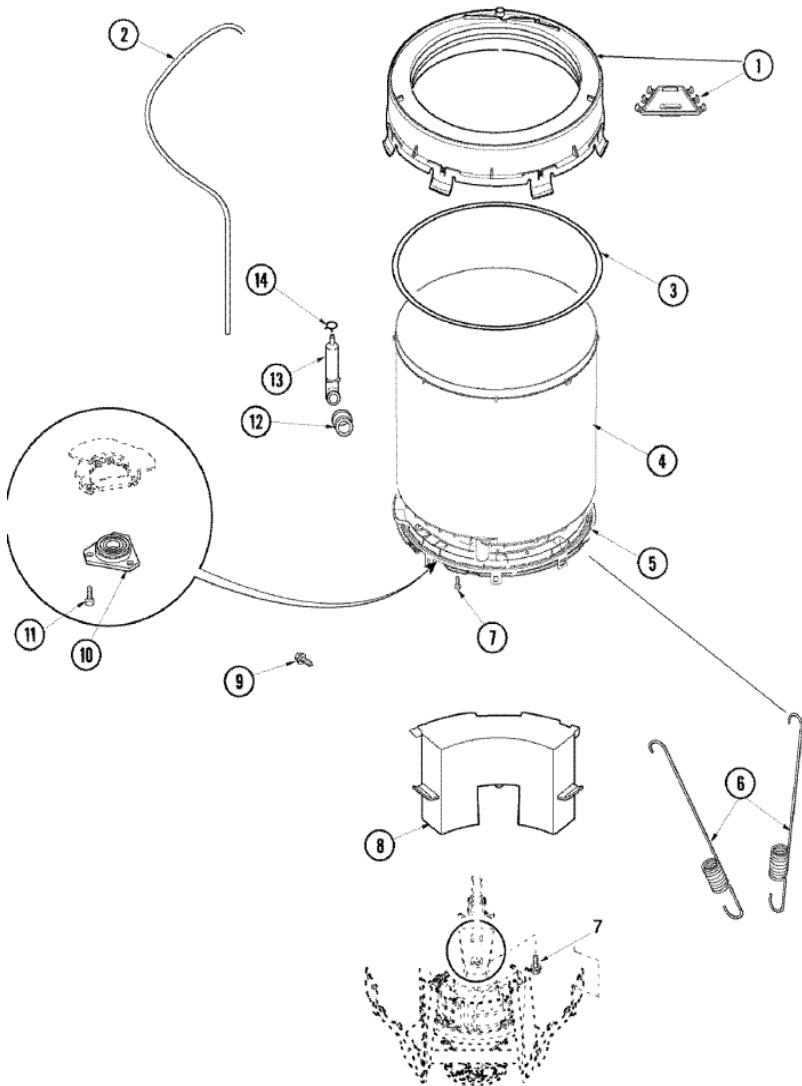




ALW210RMC MOTOR

1	40112301	SHIELD, MOTOR (S/P)
2	40046701	SCREW, No.10X7/16 ID HX (S/P)
3	40084501	CAPACITOR (S/P)
3	27001069	MOTOR
3	27001107	CLAMP, CAPACITOR (S/P)
4	40053701	POST, ISOLATOR (S/P)
5	40053801	MOUNT, MOTOR UPPER (S/P)
6	40105601	SCREW, 5/6-18 X 1/2 (S/P)
7	40015502R	DESCONTINUADO
8	40054301	MOUNT, MOTOR LOWER (S/P)
9	40095101	LOCKNUT, 10-32 (S/P)
10	37366	SPRING, IDLER
11	23748	RING, RETAINING (S/P)
12	27001028	IDLER LEVER ASSEMBLY
13	40063701	SCREW, 10-16X1.75 (S/P)
14	27001233	ASSEMBLY, PUMP COMPLETE
15	27001006	BELT, SPIN & AGITATOR
16	52549	WASHER, 501 ID X3/4 ODX (S/P)
17	27001225	NUT, JAM MID LOCK 1/4-20 (S/P)
17	40038901	SCREW, 1/4-20 (S/P)
17	40045001	IDLER PULLEY ASSEMBLY

ALW210RMC TINA

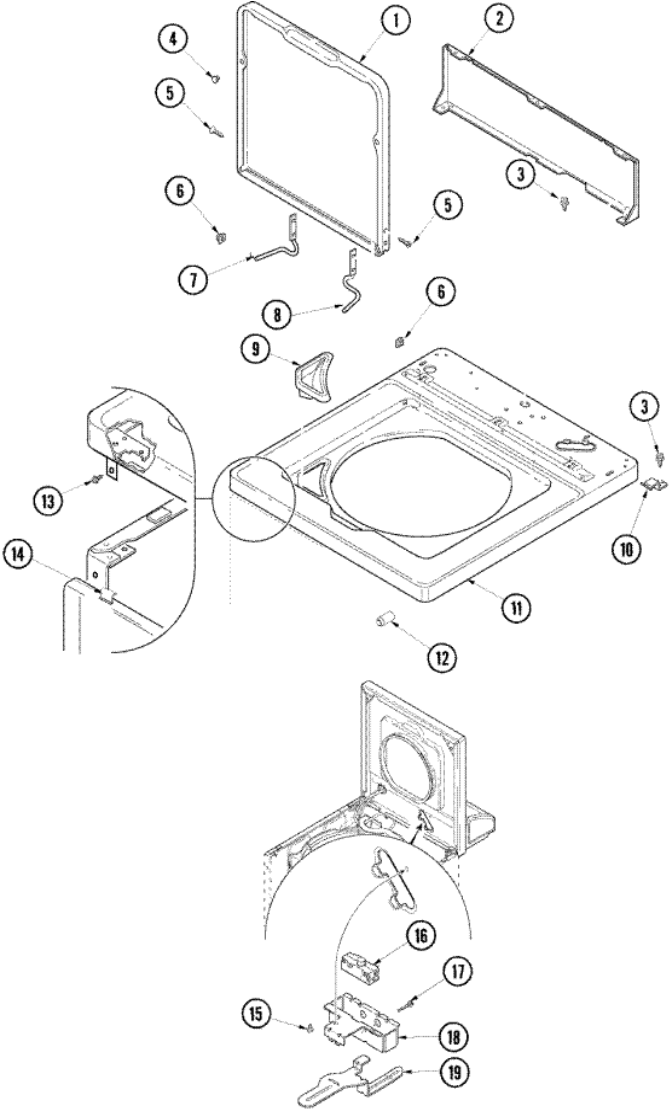




ALW210RMC TINA

1	27001195	COVER, OUTER TUB (S/P)
2	21001748	TUBING, PVC 28`` (S/P)
3	40076601	GASKET, TUB COVER (S/P)
4	40111001P	TUB, PLASTIC OUTER (S/P)
5	40001102P	BOTTOM, OUTER TUB (S/P)
6	40045202	SPRING, TALL TUB
7	40064301	SCREW, 1/4-15X3/4 HEX (S/P)
8	40015901	DESCONTINUADO
9	40070401	SCREW, 1/4-20X7/8 HEX (S/P)
10	40004201P	MAIN BEARING ASSEMBLY
11	40067901	SCREW (S/P)
12	40037801	GROMMET
13	40008501	ASSEMBLY, PRESSURE BULB
14	285655	CLAMP, HOSE (S/P)

ALW210RC CUBIERTA

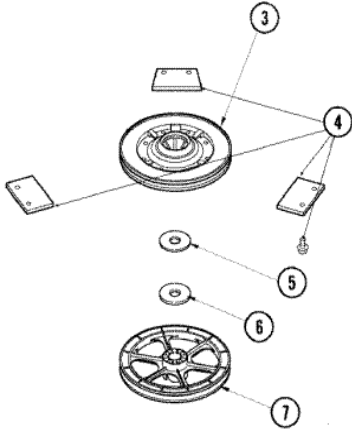
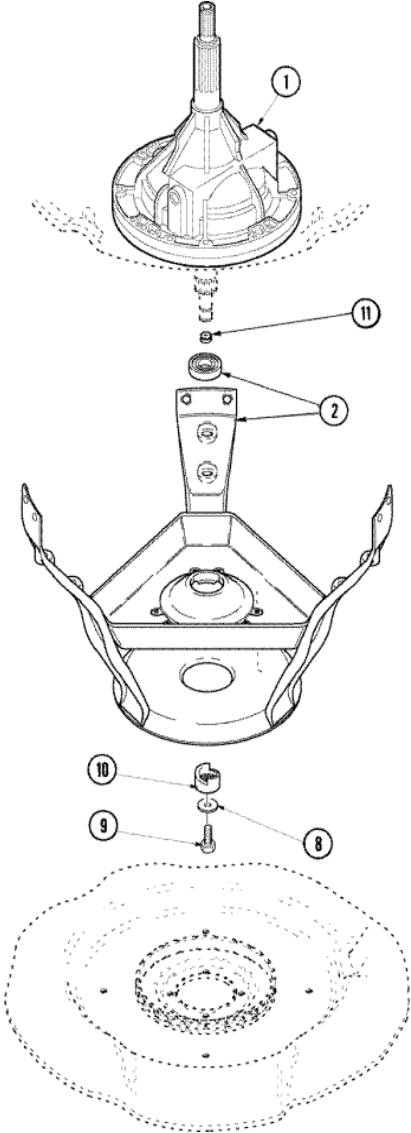




ALW210RMC CUBIERTA

1	27001015	DESCONTINUADO
2	40121402	PANEL, BACK (S/P)
3	501086	SCREW, 8B-18X3/8 SLT (S/P)
4	40038001	BUMPER (S/P)
5	40039201	SCREW, 6-32X.340 FLAT (S/P)
6	40008201	BUSHING, HINGE (S/P)
7	40094002	HINGE, LID LEFT STOP (S/P)
8	40094101	HINGE, LID RIGHT PASS (S/P)
9	40093901	DISPENSER, BLEACH (S/P)
10	40063901	CLIP, HOLD DOWN (S/P)
11	40130801	BRACKET, TOP MOUNT (S/P)
11	27001183	PANEL, TOP (BSQ) (S/P)
12	40102101	CAP, HINGE (S/P)
13	503661	SCREW, 10-16X.44 UNS (S/P)
14	22001650	CLIP, SPRING
15	501086	SCREW, 8B-18X3/8 SLT (S/P)
16	27001095	SWITCH, SPST
17	40040701	SCREW, TAPPING No.6B-20 (S/P)
18	40009801	HOLDER, LID SWITCH
19	40009701	ARM, LID SWITCH

ALW210RMC TRANSMISION





ALW210RMC TRANSMISION

1	27001038	TRANSMISSION ASM (710 RPM) (S/P)
1	12002177	ASSEMBLY, TRANSMISSION (710) (S/P)
2	12002013	ASSEMBLY, MILK STOOL (S/P)
3	R9900474	BRAKE ASSEMBLY
4	R0000014	KIT, BRAKE PAD
4	26594P	GREASE, SILICONE - 2OZ TUBE (S/P)
5	40065701	WASHER, 2 ODX.63 ID
6	40063201	WASHER, FLAT
7	40047202	PULLEY, SPIN
8	40041501	WASHER
9	40063401	SCREW, 1/4-20X5/8 HEX
10	40047402	HELIX, PLASTIC
11	207814	SEAL, TRANSMISSION HOUSING(LIP)