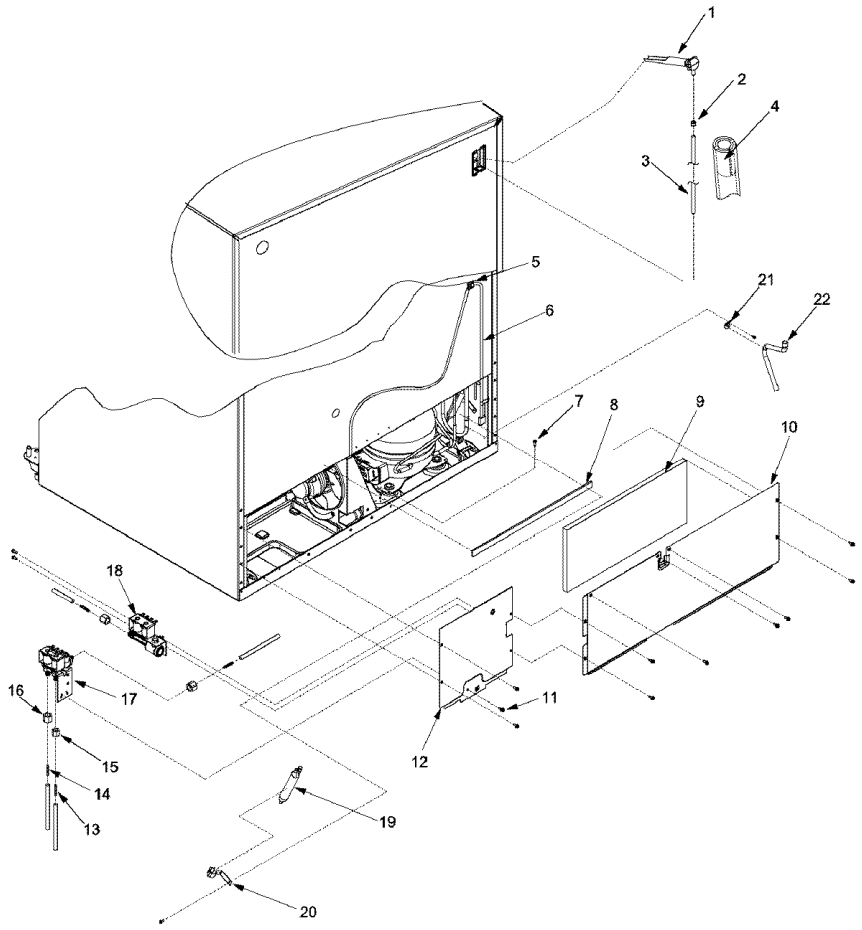


ARSE665BS CABINET BACK

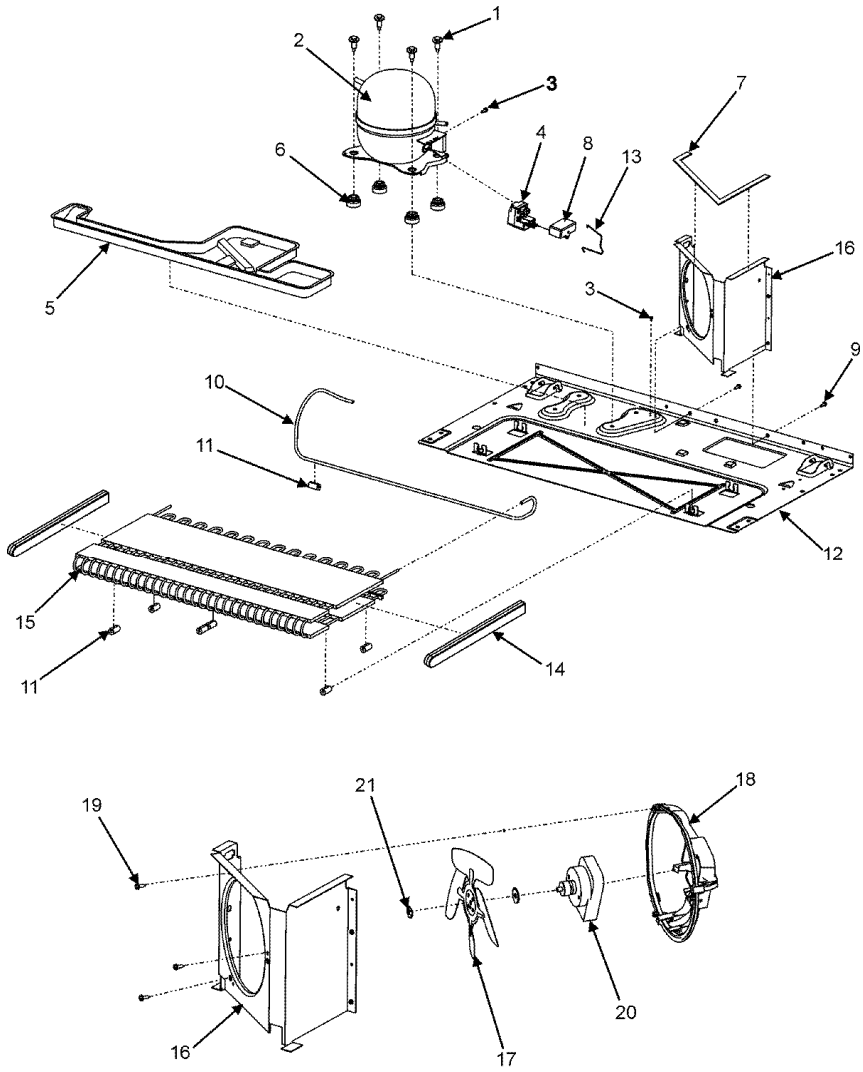




ARSE665BS CABINET BACK

1	67003576	ELBOW, FILL TUBE (S/P)
2	M0114003	CLIP, SPEED (S/P)
3	B5705307	TUBE, PLASTIC 74.5`` x (S/P)
4	A3223101	INSERT, PLASTIC TUBE (S/P)
5	M0104106	CLIP (S/P)
6	67006506	CORD, POWER (S/P)
7	M0239216	SCREW, CA (S/P)
8	B5759649	GASKET, MC BACK (S/P)
9	B0523599	INSULATION, MC BACK (S/P)
10	12575101WD	BACK, MACH COMP (S/P)
10	M0238616	SCREW, SM (S/P)
11	M0251015	SCREW (S/P)
12	M0226528	SCREW, TC (S/P)
12	12575201ED	COVER, WATER VALVE DESCONTINUADO
13	A1055105	SPRING, ANTI KINK (S/P)
14	A1055104	SPRING, ANTI-KINK (S/P)
15	M0753001	NUT, SLEEVE (S/P)
16	8201513	NUT, SLEEVE (S/P)
17	12002193	VALVE, SECONDARY WATER (S/P)
18	12544002	VALVE, PRIMARY WATER (S/P)
18	M0251015	SCREW (S/P)
19	B2150504	DRIER (S/P)
20	10547002	CLIP, DRIER (S/P)
20	M0220617	SCREW (S/P)
21	M0102303	CLAMP (S/P)
21	M0220617	SCREW (S/P)
22	12580401	TUBE, DRAIN (S/P)

ARSE665BS COMPRESSOR

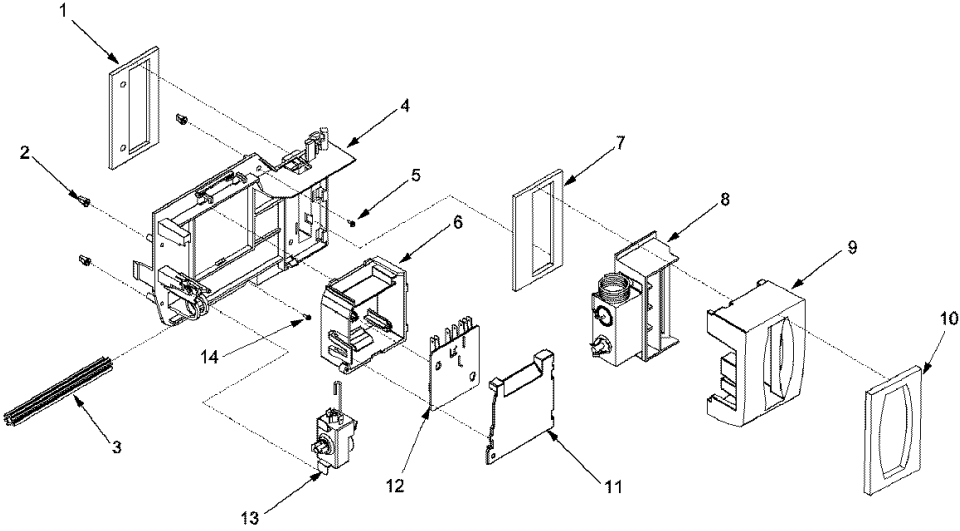




ARSE665BS COMPRESSOR

1	M0221523	SCREW, SHLDR (S/P)
2	8201557	COMPRESSOR, TC TPE1380Y (S/P)
3	M0231604	SCREW, TF (S/P)
4	12555902	OVERLOAD, RELAY (S/P)
5	12579803	PAN, DRAIN (S/P)
6	67003493	GROMMET, COMPRESSOR (S/P)
7	61003832	GASKET, COND SHROUD (S/P)
8	C8931612	CAPACITOR
9	M0238616	SCREW, SM (S/P)
10	67002236	TUBE, DISCHARGE DESCONTINUADO
11	67005680	GROMMET, CONDENSER (S/P)
12	12457108	PAN, BASE (S/P)
13	12576801	STRAP, BALE (S/P)
14	67002235	BLOCK-EPS COND (S/P)
15	67006131	CONDENSER (S/P)
16	67001090	SHROUD, CONDENSER FAN DESCONTINUADO
17	12587601	BLADE, COND FAN (S/P)
18	12002738	BRACKET, COND FAN MOTOR (S/P)
19	M0223816	SCREW, TR (S/P)
20	12002738	MOTOR, CONDENSER FAN (ECM) (S/P)
21	486692	NUT, ECM MOTOR (S/P)
22	67002808	HARNESS, MC (S/P)

ARSE665BS CONTROLS

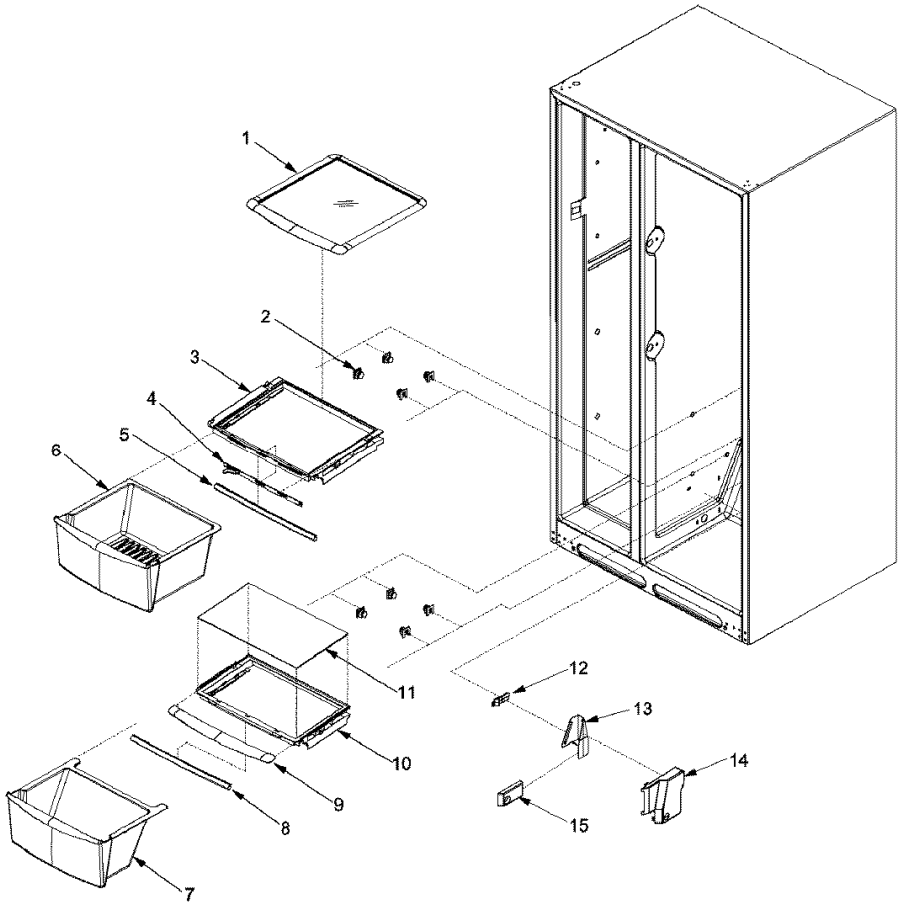




ARSE665BS CONTROLS

1	67004031	GASKET, DAMPER (S/P)
2	M0580205	GROMMET, SCREW (S/P)
3	12571801	EXTENSION, KNOB (S/P)
4	12750301	BRACKET, CONTROL (S/P)
5	M0216539	SCREW (S/P)
6	12624801	BOX, DEFROST CONTROL (S/P)
7	12582801	GASKET, DAMPER (S/P)
8	12571701	CONTROL, DAMPER (S/P)
9	12604201	INSULATION, DAMPER (S/P)
10	12582901	GASKET, CONTROL COVER (S/P)
11	12624901	COVER, DEFROST CONTROL (S/P)
12	12566102	BOARD, ADAPTIVE DEFROST (S/P)
13	12351006	CONTROL, FZ TEMP (S/P)
14	M0211018	SCREW, SM (S/P)
15	12684401	HARNESS, CONTROL (S/P)

ARSE665BS CRISPER

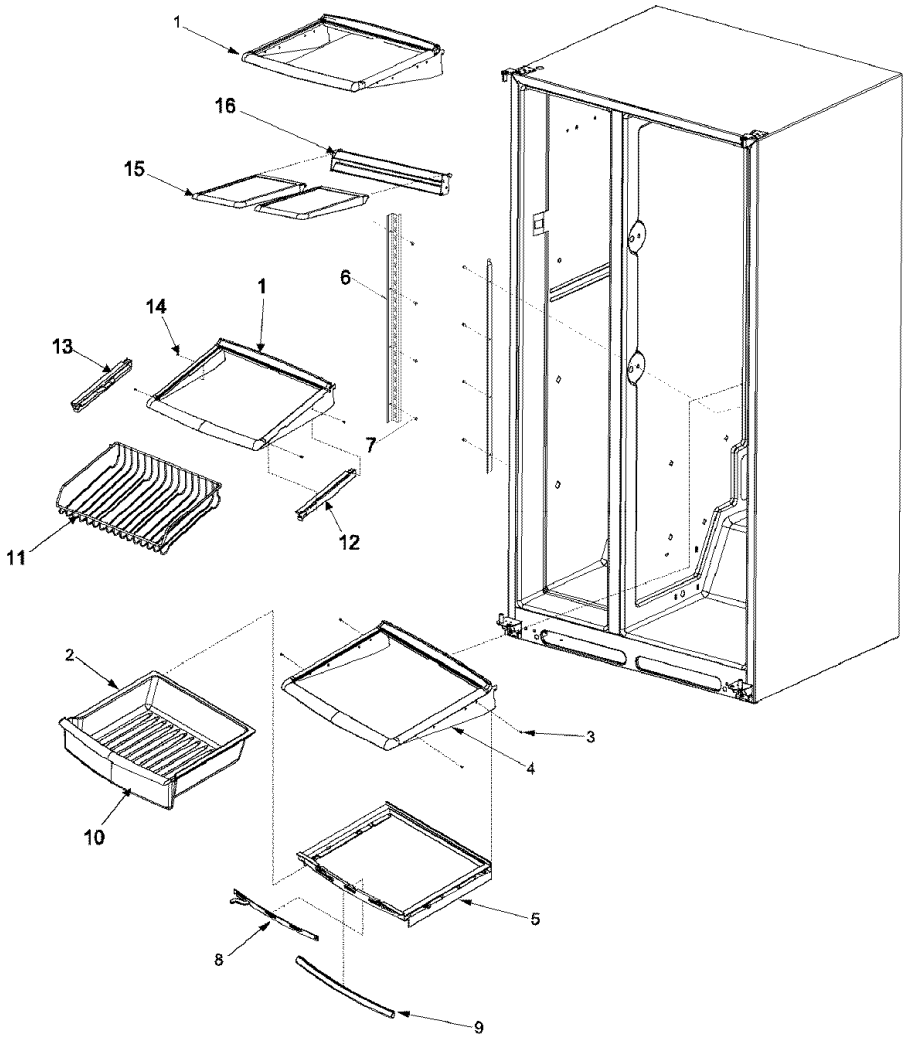




ARSE665BS CRISPER

1	67003387	SHELF, TOP CRISPER (S/P)
2	12603701	SUPPORT, CRISPER FRAME (S/P)
3	67002723	FRAME, LG CRISPER (S/P)
4	12562601U	SLIDE, LG CRISPER (BLUE) (S/P)
5	12589104	SEAL, SM CRISPER FRONT (S/P)
6	67001503	PAN, LG CRISPER (S/P)
6	12560301	FRONT, DELI/LG CRISPER PAN DESCONTINUADO
7	67001504	PAN, DELI (S/P)
7	12560301	FRONT, DELI/LG CRISPER PAN DESCONTINUADO
8	12589104	SEAL, SM CRISPER FRONT (S/P)
9	67003348	TRIM, DELI FRAME (S/P)
10	67002822	FRAME, DELI DESCONTINUADO
11	12204811	GLASS, SHELF (S/P)
12	12586201U	CONTROL, DELI (BLUE) (S/P)
13	12586101	SLIDE, DELI CONTROL (S/P)
14	67003347	HOUSING, DELI CONTROL (S/P)
15	12664201	TUNNEL, DELI CONTROL (S/P)
16	12585701Q	LG CRISPER FRAME ASSY (S/P)
17	67002885	DELI FRAME ASSY (S/P)

ARSE665BS DELI AND REF SHELF

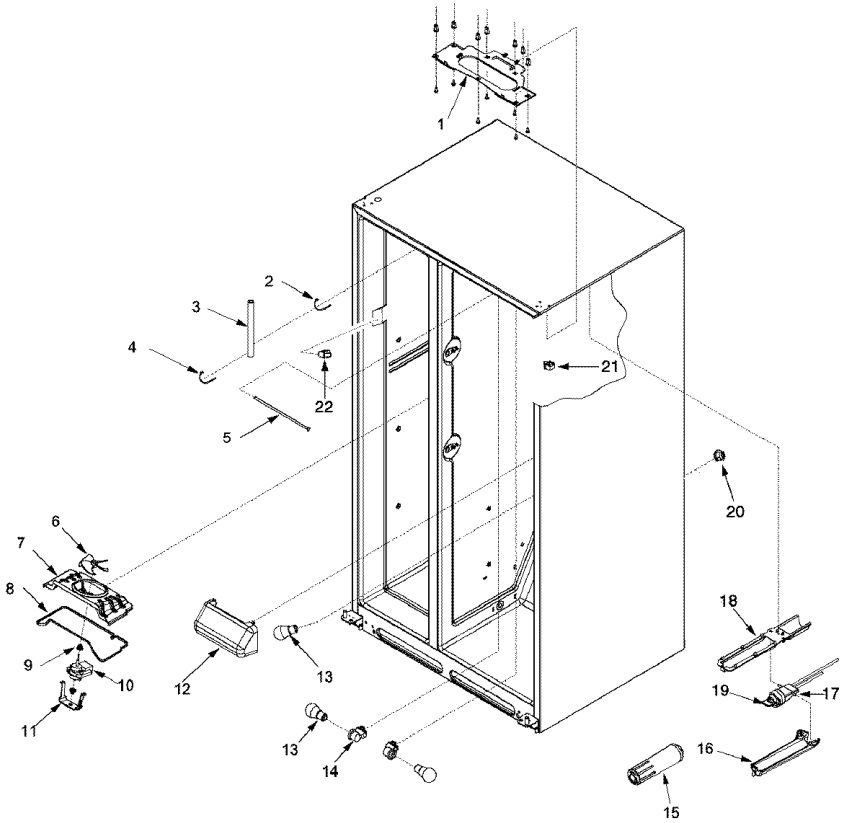




ARSE665BS DELI AND REF SHELF

1	12457501	SHELF, GLIDE DESCONTINUADO
2	67001505	PAN, SM CRISPER (S/P)
3	M0214931	SCREW (S/P)
4	12457401	SHELF, STA-B/B(26) DESCONTINUADO
5	67002900	FRAME, SM CRISPER (S/P)
6	67001178	LADDER, SIDE (S/P)
7	M0211016	SCREW, SM (S/P)
8	12562602U	SLIDE, SM CRISPER (BLUE) (S/P)
9	12589104	SEAL, SM CRISPER FRONT (S/P)
10	12560401	FRONT, SM CRISPER PAN (S/P)
11	12565901	RACK, CAN (S/P)
12	12579601	GLIDE, CAN RACK (RT) (S/P)
13	12579602	GLIDE, CAN RACK (LT) (S/P)
14	M0214931	SCREW (S/P)
15	67001180	SHELF, SPECIALTY (S/P)
16	12617801	RACK, SHELF (S/P)
17	67002901	SM CRISPER FRAME ASSY (S/P)

ARSE665BS EVAP FAN ASSY AND LIGHTS

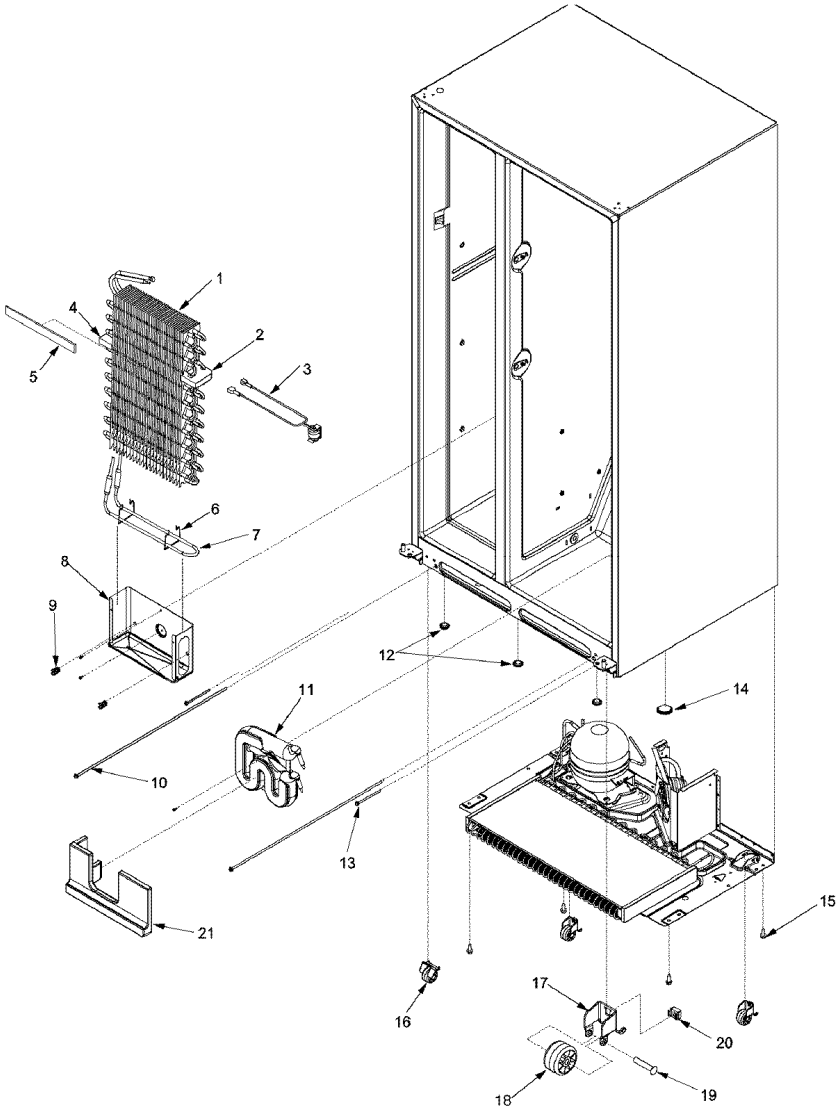




ARSE665BS EVAP FAN ASSY AND LIGHTS

1	12666201	PLATE, LIGHT BACKING DESCONTINUADO
1	M0214931	SCREW (S/P)
1	M0580007	GROMMET, SCREW (S/P)
2	M0322202	TIE WIRE (S/P)
3	12607601Q	INSULATION, TUBING (S/P)
4	M0321210	TIE, ELEC (S/P)
5	67004186	TUBE, PLASTIC (S/P)
6	2169142	FAN, EVAPORATOR (S/P)
7	12590001	SHROUD, EVAP DESCONTINUADO
8	67001508	GASKET (S/P)
9	67002780	GROMMET, FAN MOTOR (S/P)
10	67003636	MOTOR, EVAPORATOR FAN (S/P)
11	12217805	CLIP, EVAP MOTOR (S/P)
12	67001507	SHIELD, CRISPER LIGHT (S/P)
13	31956	BULB, LIGHT (40 WATT) (S/P)
14	12679501	SOCKET, LIGHT (S/P)
15	UKF8001AXX	NET-WATER FILTER(SINGLE)
16	12568001	COVER, FILTER (S/P)
17	67001669	HOUSING, WATER FILTER (S/P)
18	12688501	PLATE, FILTER BACKING DESCONTINUADO
19	12664501	HEAD, BYPASS (S/P)
20	67002216	SOCKET, LIGHT (S/P)
21	12466104	SWITCH, REF LIGHT (S/P)
22	12002646	SWITCH, LIGHT (S/P)

ARSE665BS EVAPORATOR ASSY AND ROLLERS

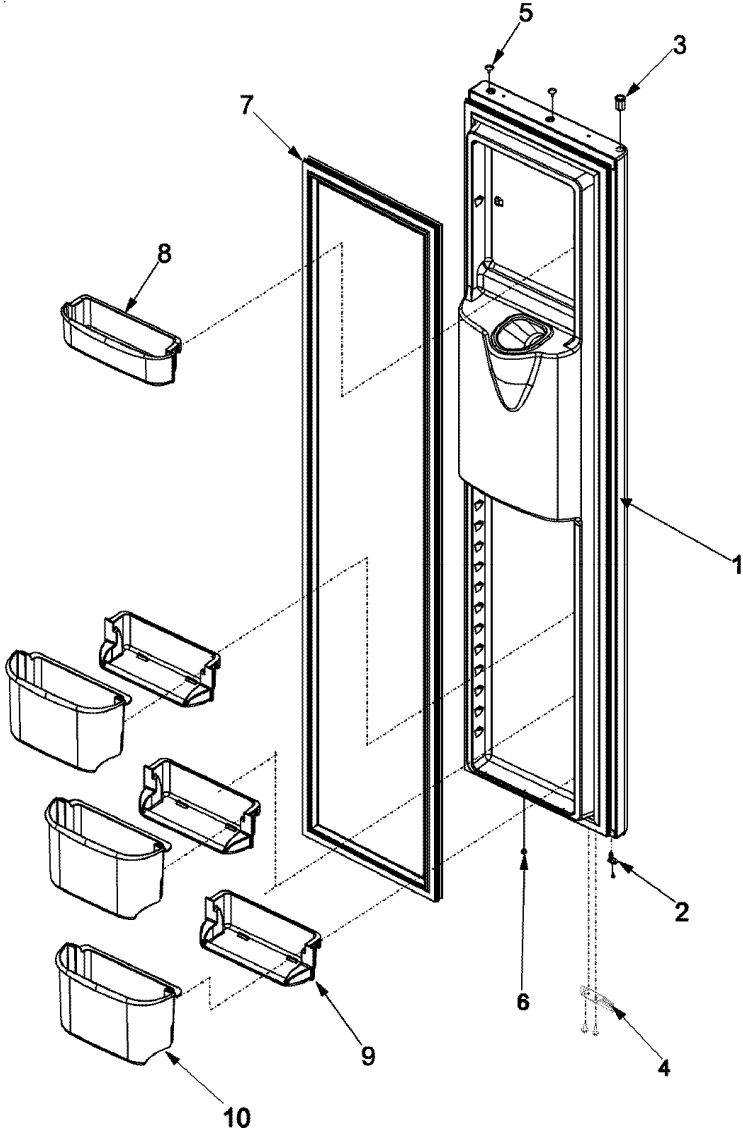




ARSE665BS EVAPORATOR ASSY AND ROLLERS

1	12001940	EVAPORATOR, SXS (S/P)
2	12590102	BLOCK, AIR COIL (RT) (S/P)
3	R0131661	THERMOSTAT W/HARNESS, FZ LINER (S/P)
4	12590101	BLOCK, AIR COIL (LT) (S/P)
5	67002226	GASKET, FOAM (S/P)
6	10428101	CLIP, EVAP HEATER (S/P)
7	12049801	HEATER, EVAP
8	M0224416	SCREW, SM (S/P)
8	12558101WD	TRAY, EVAP DRIP (S/P)
9	10623003	CLIP, EVAPORATOR (S/P)
10	10093313	SCREW, ADJUSTING (S/P)
11	M0211018	SCREW, SM (S/P)
11	R0131625	KIT, WATER TANK (S/P)
12	A3080001	PLUG, BUTTON (BLK) (S/P)
13	67006611	BOLT, ROLLER ADJ (S/P)
14	A3076901	PLUG, BUTTON (S/P)
15	67001510	SCREW (S/P)
16	12580304	ROLLER BRACKET ASSY (S/P)
17	12456801V	BRACKET, ROLLER (S/P)
18	67005127	ROLLER (S/P)
19	M1205302	RIVET (S/P)
20	M0286708	NUT, SPEED (S/P)
21	12252102	INSULATION, WATER TANK (S/P)
22	67003094	HEATER/HARNESS, FRZ (S/P)

ARSE665BS FREEZER DOOR

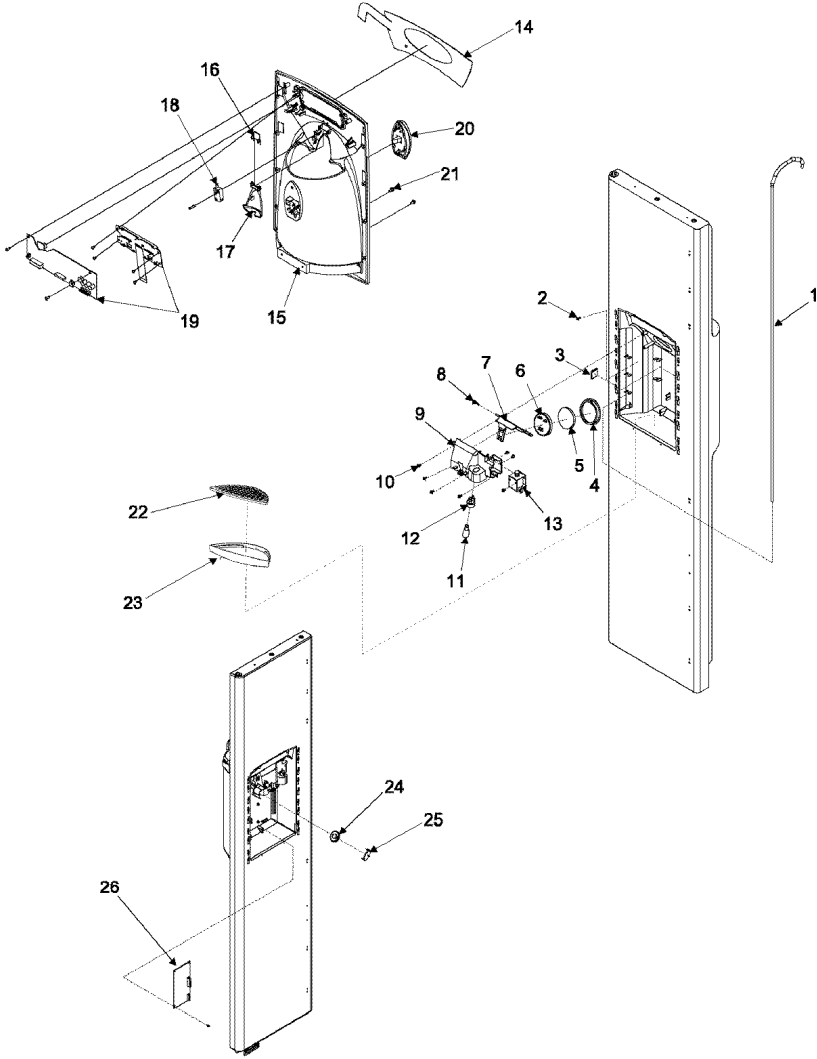




ARSE665BS FREEZER DOOR

1	67001891	FZ DR FOAM ASSY (STNLS) (S/P)
2	12571301B	CLOSURE, DOOR (BLK) (S/P)
2	M0220432	SCREW, TC (S/P)
3	12395501B	BUSHING, DOOR (BLK) (S/P)
4	12636401B	STOP, DOOR (BLK) (S/P)
4	M0211018	SCREW, SM (S/P)
5	M0311607	PLUG, BUTTON (GRY) (S/P)
6	A3080001	PLUG, BUTTON (BLK) (S/P)
7	67003967	GASKET, FZ DR (BLK) (S/P)
8	67004772	BUCKET, UPR FZ DR (S/P)
9	12569302	BUCKET, FZ TILT xxx DESCONTINUADO
10	12569401	FRAME, TILT BUCKET (S/P)

ARSE665BS FZ DOOR AND FACADE

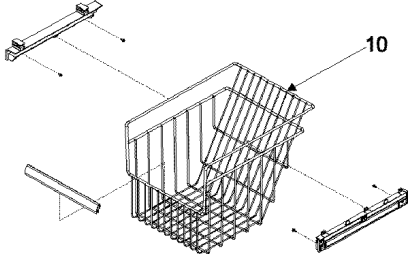
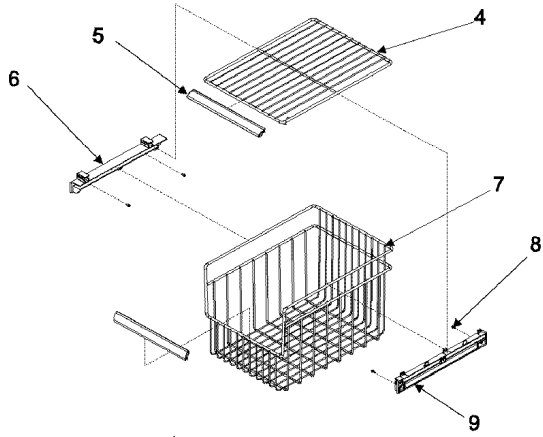
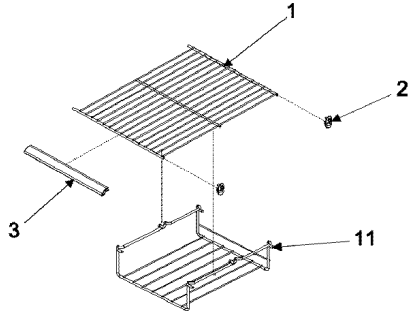




ARSE665BS FZ DOOR AND FACADE

1	67004938	ASSY, WATERLINE (S/P)
2	2221070	CLAMP, TUBE (S/P)
3	M0104102	CLIP, CORD (S/P)
4	12665101	SEAL, ICE CHUTE (S/P)
5	67007098	INSUL, CHUTE DOORxx (S/P)
6	12562701	DOOR, ICE CHUTE (S/P)
7	12002464	HINGE, ICE CHUTE (S/P)
8	12565502	SPRING, CHUTE DR (S/P)
9	M0238642	SCREW, SM (S/P)
9	12002464	EXTENSION, ICE CHUTE (S/P)
10	67002816	CLIP, WATERLINE (S/P)
11	67001316	BULB, LIGHT
12	12617501	SOCKET, LIGHT (S/P)
13	M0200314	SCREW, MACH (S/P)
13	67006000	SOLENOID (S/P)
14	67001176	INSERT, FACADE (BLK) DESCONTINUADO
15	67004302	FACADE, 5 BUTTON (BLK) (S/P)
16	B8385403	SPRING, SPORTS FILL-RETURN (S/P)
17	12665402B	BUTTON, SPORTS FILL (BLK) (S/P)
18	12575501	SWITCH, LIMIT (S/P)
18	M0237945	SCREW, HI/LO (S/P)
19	67003622	BOARD, CONTROL (S/P)
20	12593203B	ACTR PAD FRAME ASSY (BLK) (S/P)
21	M0238616	SCREW, SM (S/P)
22	67002382	GRILLE, SUMP (BLK) (S/P)
23	67002806	TRAY, SUMP (BLK) (S/P)
24	12584401	SPEAKER, FACADE (S/P)
25	12619601	CAP, SPEAKER (S/P)
26	12550301	BOARD, H.V. POWER (S/P)
26	M0216515	SCREW (S/P)

ARSE665BS FZ SHELF

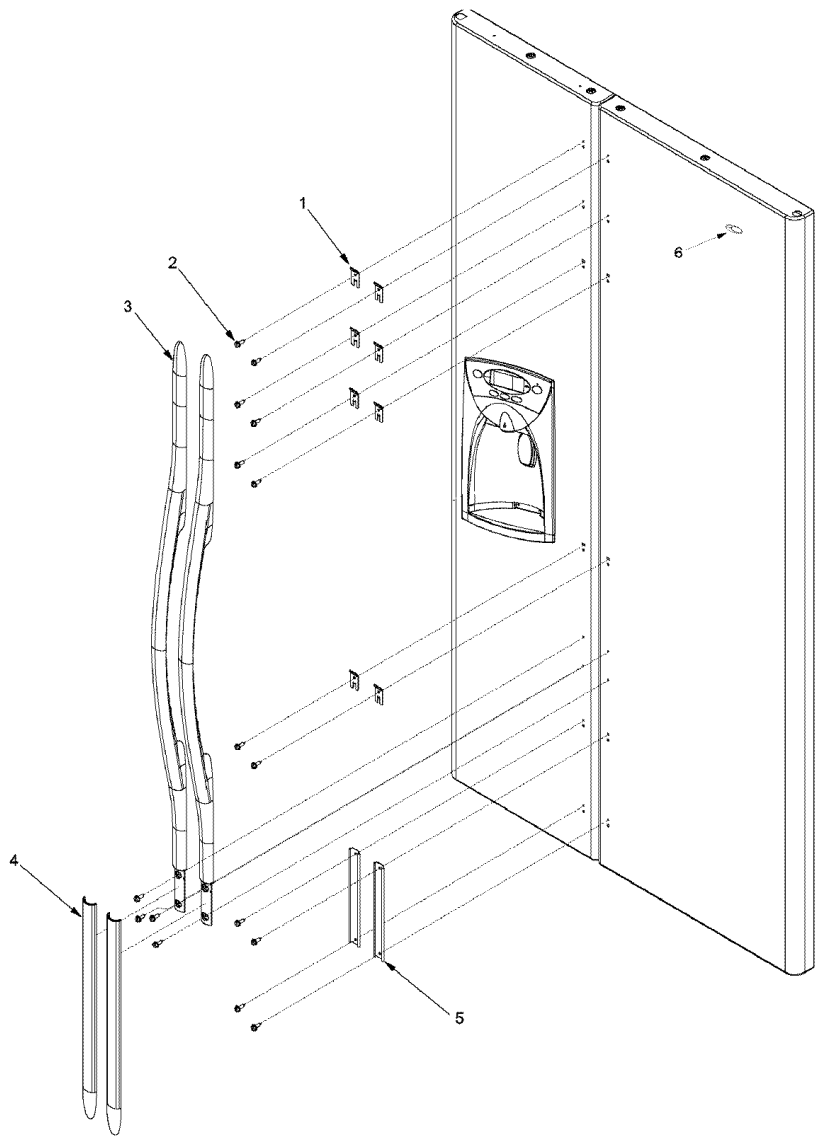




ARSE665BS FZ SHELF

1	67004354	SHELF, UPR FZ (S/P)
2	C8973701	PLUG, FRZ SHELF SUPPORT (S/P)
2	C8973801	SUPPORT, FRZ SHELF (S/P)
3	67004181	TRIM, BASKET/SHELF (S/P)
4	12570501	SHELF, LWR FZ (S/P)
5	12314101	TRIM, BASKET/SHELF (S/P)
6	12015102	RAIL, SHELF (LT) DESCONTINUADO
7	12570401	BASKET, UPR FZ (S/P)
8	M0211018	SCREW, SM (S/P)
9	10972802	RAIL, SHELF (RT) (S/P)
10	67006234	BASKET, LWR FZ (S/P)
11	12585601	SHELF, HANGING WIRE DESCONTINUADO

ARSE665BS HANDLES AND TRIM

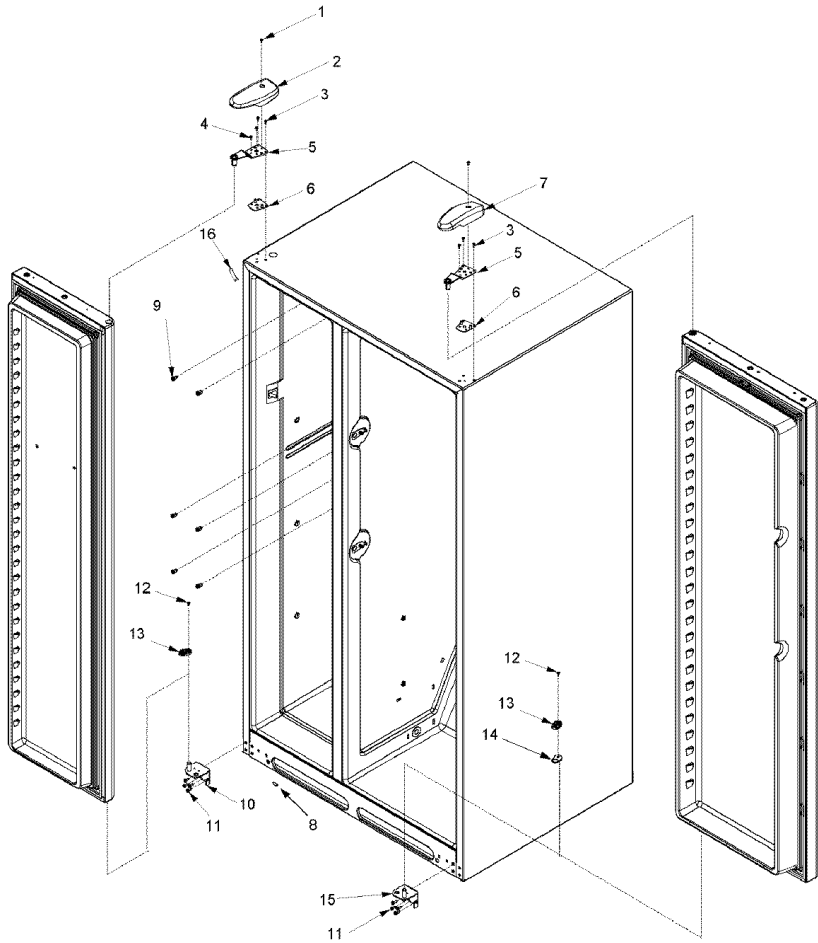




ARSE665BS HANDLES AND TRIM

1	12619202	CLIP, DOOR HANDLE (S/P)
2	M0238616	SCREW, SM (S/P)
3	67002136	CAP, HANDLE (STNLS) (S/P)
3	12618301S	HANDLE, DOOR (STNLS) (S/P)
6	Y12528501	NAMEPLATE (AMANA PLUS) (S/P)

ARSE665BS HINGES

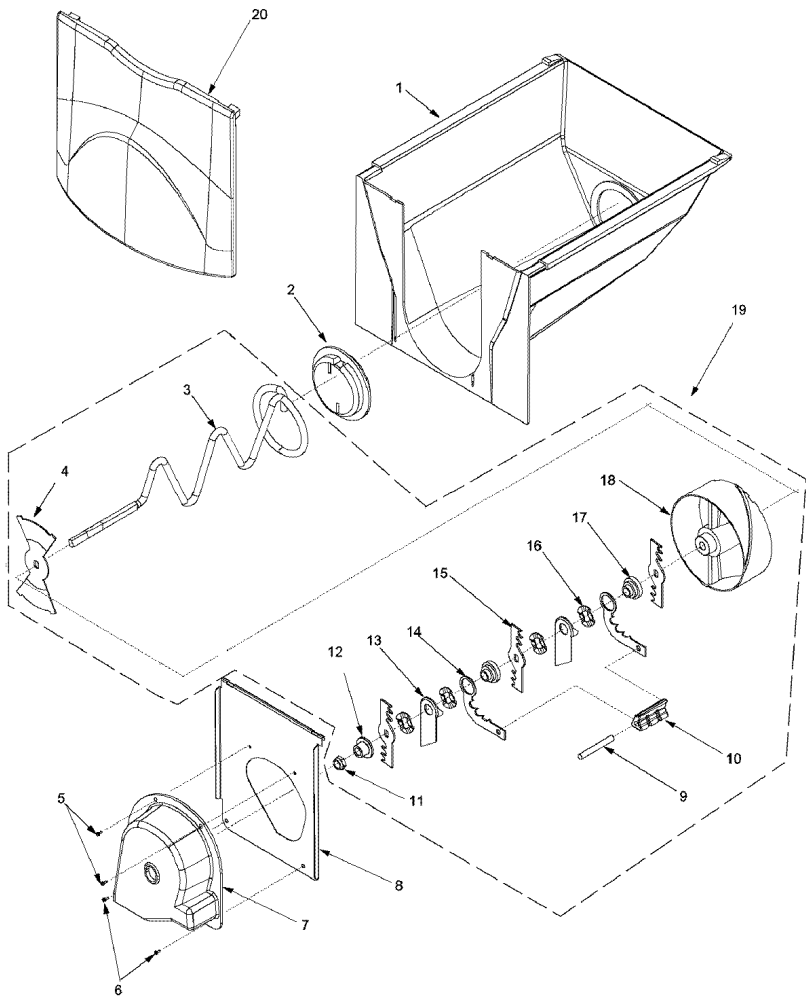




ARSE665BS HINGES

1	M0202336	SCREW, MACH DESCONTINUADO
2	12684201B	COVER, TOP HINGE (LT-BLK) (S/P)
3	M0238731	SCREW, TF (S/P)
4	M0202321	SCREW, MACH (S/P)
5	12566607ED	HINGE, TOP (BLK) (S/P)
6	12695601	SHIM, TOP HINGE (S/P)
7	12684202B	COVER, TOP HINGE (RT-BLK) (S/P)
8	2300868	TUBE, UNION (S/P)
9	M0581003	GROMMET, SCREW (S/P)
10	12570905ED	HINGE, BOTTOM (LT-BLK) (S/P)
11	M0241608	SCREW, SM (S/P)
12	M0220431	SCREW, TC (S/P)
13	R0181181	CLOSURE, DOOR (BLK) (S/P)
14	67005716	SHIM, DR CLOSURE (BLK) (S/P)
15	12570906ED	HINGE, BOTTOM (RT-BLK) (S/P)
16	67003485	COVER, CORNER (BLK) (S/P)

ARSE665BS ICE BUCKET ASSY

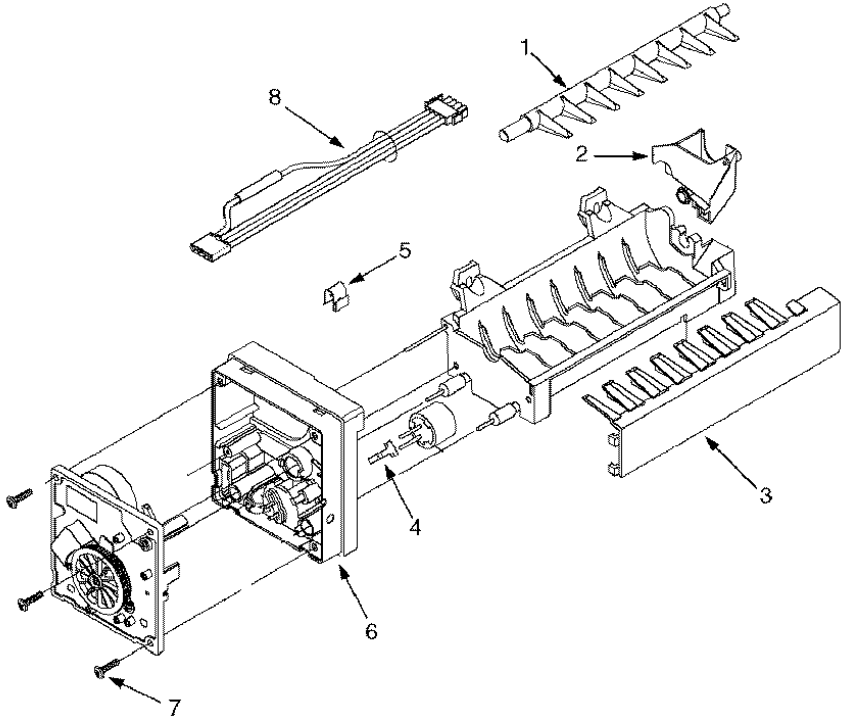




ARSE665BS ICE BUCKET ASSY

1	67005959	BUCKET, ICE CRUSH (S/P)
2	D7749401	CAP, HELIX END
3	10114401	AGITATOR, ICE (S/P)
4	10113801	BAR, CRSH ICE BUCKET (S/P)
5	M0231704	SCREW, TF (S/P)
6	M0238642	SCREW, SM (S/P)
7	67002271	COVER, BLADE (S/P)
8	10115001	FRONT, ICE CRUSHER (S/P)
9	M1200108	PIN, ROLL (S/P)
10	10114101	ANCHOR, BLADE (S/P)
11	M0223101	NUT, LOCKING (S/P)
12	10113901	SPACER, COVER (S/P)
13	10275201	DAMPER, ICE (S/P)
14	10114601	BLADE, STATIC (S/P)
15	10114501	BLADE, ROTATING (S/P)
16	10275101	WASHER, WAVED (S/P)
17	10114301	WASHER STEPPED (S/P)
18	67002052	WHEEL, CRSH ICE (S/P)
19	12740302	CRUSHED ICE AGITATOR ASSY (S/P)
20	12571606	FRONT, ICE BUCKET (S/P)

ARSE665BS ICE MAKER

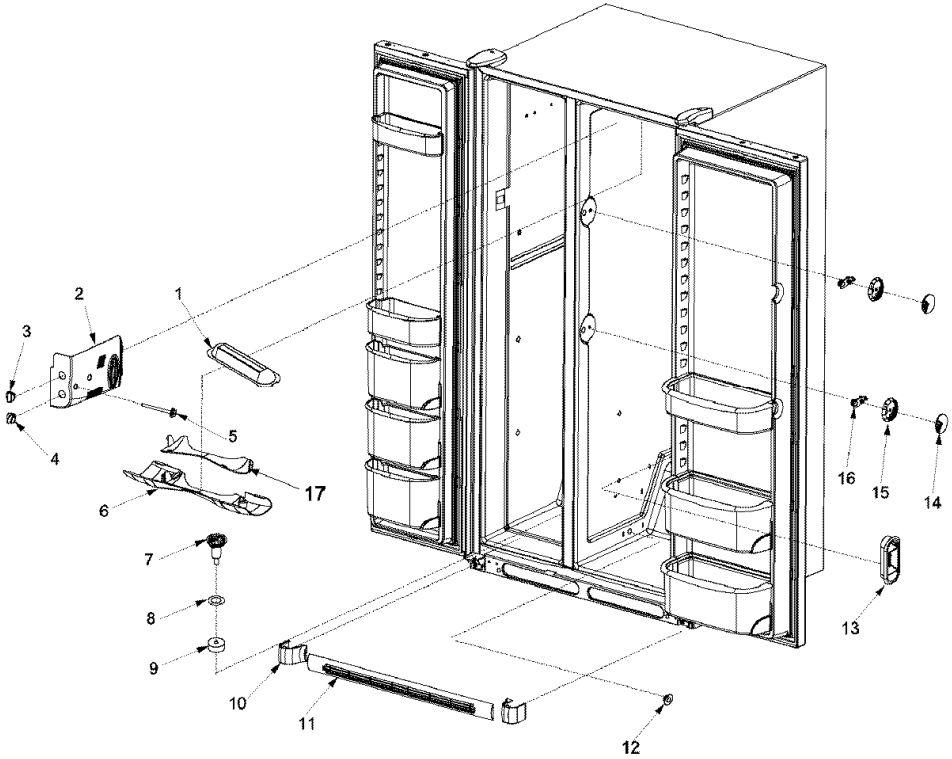




ARSE665BS ICE MAKER

1	627843	EJECTOR, ICE (S/P)
2	628356	INLET, WATER (S/P)
3	2182124	STRIPPER, ICE (S/P)
4	2315522	RETAINER, THERMOSTAT (S/P)
5	2256087	BRACKET, MODULE & HEATER (S/P)
5	95108-1	SCREW, BRACKET (S/P)
6	2195914	SUPPORT, MODULE HOUSING (S/P)
7	95106-1	SCREW (S/P)
8	67002124	HARNESS, ICE MAKER (S/P)
9	18001005	ICE MAKER HOOK UP KIT (S/P)
10	10244904	COUPLING (S/P)

ARSE665BS LIGHT COVERS AND TOE GRILLE

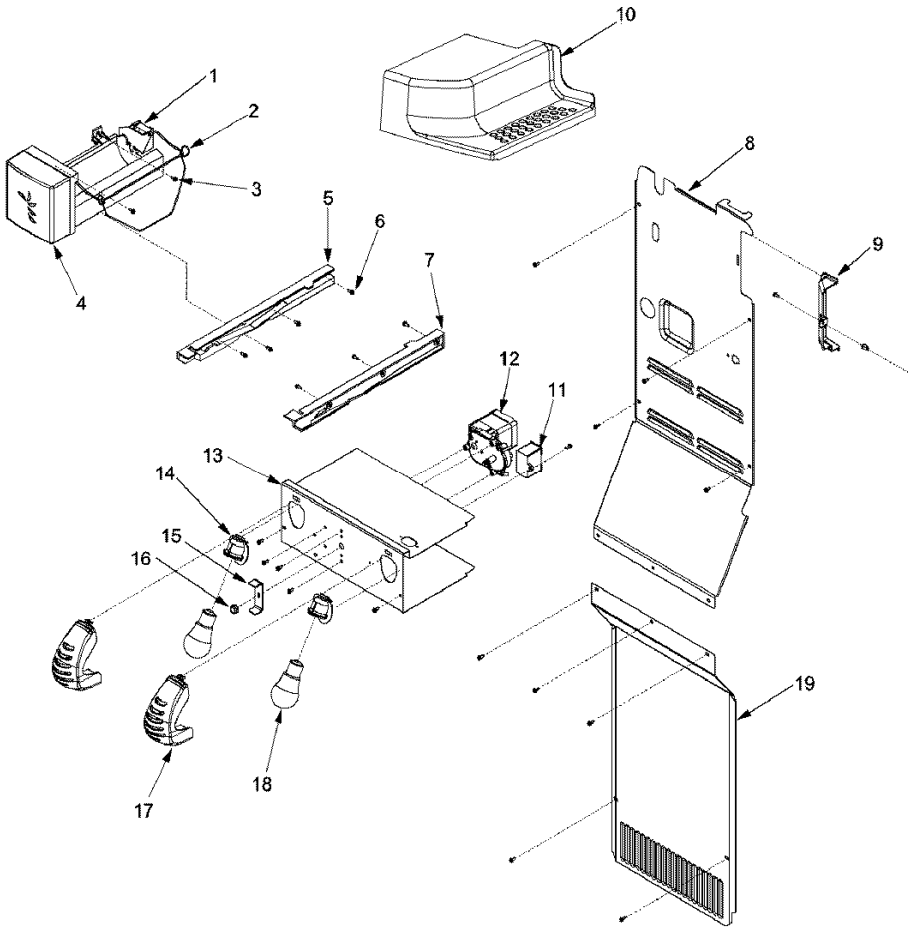




ARSE665BS LIGHT COVERS AND TOE GRILLE

1	12664701	INSULATION, LT HOUSING (S/P)
1	67002825	HOUSING, UP REF LIGHT DESCONTINUADO
2	67003342	COVER, CONTROL (S/P)
3	12620902	KNOB, CONTROL (S/P)
4	12620901	KNOB, CONTROL (S/P)
5	M0231426	SCREW (S/P)
6	12602907	COVER, LIGHT DESCONTINUADO
7	12456901	FUNNEL, DRAIN (S/P)
8	M0500703	SEAL, O RING (S/P)
9	B8381501	GASKET, DRAIN TUBE (S/P)
10	12561901B	COVER, LWR HINGE (BLK) (S/P)
11	67002224	TOE GRILLE ASSY (BLK) (S/P)
11	12627302	CLIP, TOE GRILLE (S/P)
12	67005933	PLUG, AIR TUNNEL (S/P)
13	12634802	GRILLE, RETURN AIR (S/P)
14	67004379	GRILLE, CHILLER (S/P)
15	67002225	CONTROL, CHILLER (S/P)
16	12572701	CLIP, CHILLER CONTROL DESCONTINUADO
17	12677801	LENS, LIGHT (S/P)

ARSE665BS LIGHTS AND ICE MAKER





ARSE665BS LIGHTS AND ICE MAKER

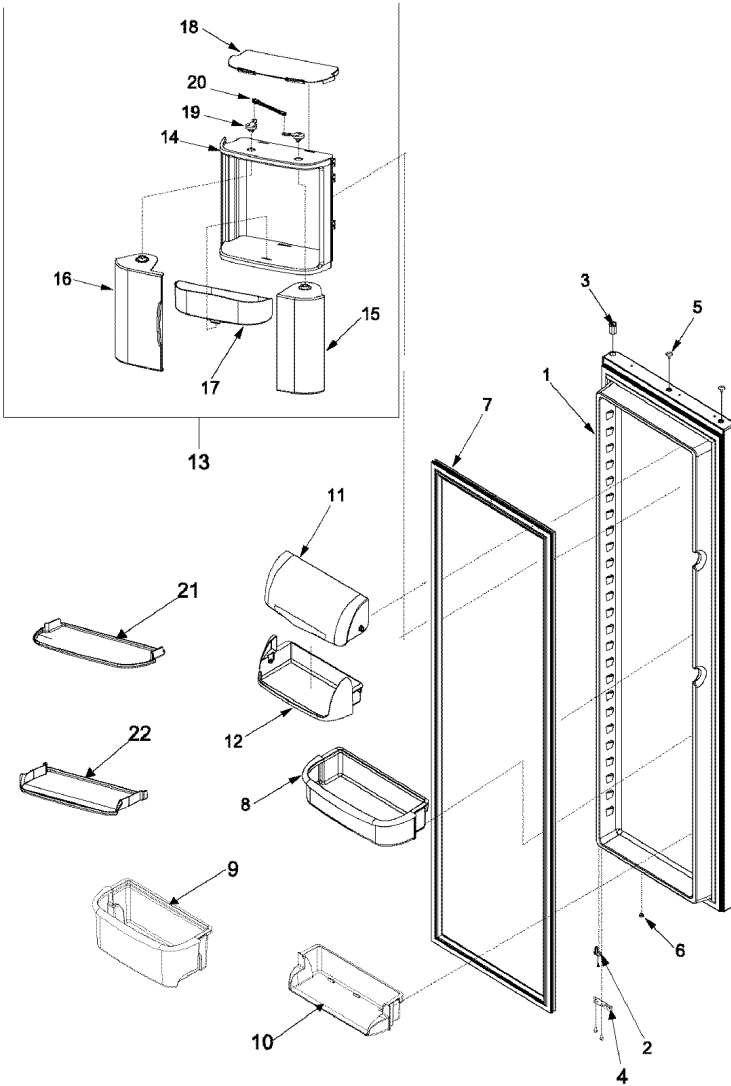
1	D7824706Q	ICE MAKER ASSY.
2	2256087	BRKT, ICE MAKER (S/P)
2	12671401	ASSY, IM ARM/WIRE (S/P)
3	M0211019	SCREW, SM (S/P)
4	67004710	COVER, ICE MAKER (S/P)
5	67005375	GLIDE, FRZ (LT) (S/P)
6	M0213530	SCREW, SM (STNLS) (S/P)
7	67004323	GLIDE, FRZ (RT) (S/P)
8	M0238616	SCREW, SM (S/P)
8	12002160	BACK, INNER FZ (S/P)
9	12583101	COVER, SUPPLY AIR (S/P)
9	M0580205	GROMMET, SCREW (S/P)
9	M0238616	SCREW, SM (S/P)
10	12582101	SHELF, QUICK CHILL DESCONTINUADO
11	C8931612	CAPACITOR
11	M0226528	SCREW, TC (S/P)
12	M0226528	SCREW, TC (S/P)
12	12002089	MOTOR, AUGER (S/P)
13	M0238616	SCREW, SM (S/P)
13	67005214	COVER, AUGER MOTOR (S/P)
14	67002216	SOCKET, LIGHT (S/P)
15	10114901	DRIVER (ICE MAKER) (S/P)
16	M0223101	NUT, LOCKING (S/P)
17	67004433	SHIELD, FZ LIGHT (S/P)
18	31956	BULB, LIGHT (40 WATT) (S/P)
19	67004192	COVER, EVAP (S/P)
19	M0238616	SCREW, SM (S/P)

Distribuidor Autorizado

SurteRápido.com

Venta de Refacciones
Electrodomesticas

ARSE665BS REFRIGERATOR DOOR





ARSE665BS REFRIGERATOR DOOR

1	67001277	REF DR FOAM ASSY (STNLS) (S/P)
2	12431301	CLOSURE, DOOR (BLK) (S/P)
2	M0220432	SCREW, TC (S/P)
3	10961002	BUSHING, DOOR (BLK) (S/P)
4	12636401B	STOP, DOOR (BLK) (S/P)
4	M0211018	SCREW, SM (S/P)
5	M0311607	PLUG, BUTTON (GRY) (S/P)
6	A3080001	PLUG, BUTTON (BLK) (S/P)
7	67003965	GASKET, REF DR (BLK) (S/P)
8	67003713	BUCKET, GALLON (S/P)
9	12568601	BUCKET, GALLON TILT DESCONTINUADO
10	12568801	FRAME, TILT BUCKET (S/P)
11	67002957	DOOR, DAIRY (S/P)
12	67002304	TRAY, DAIRY (S/P)
13	67003074	CHILLER ASSY (LARGE) (S/P)
13	67003177	CHILLER ASSY (MINI) (S/P)
14	67002409	FRAME, MINI CHILLER (S/P)
14	67002294	FRAME, LARGE CHILLER (S/P)
15	67002297	DOOR, LARGE CHILLER (RT) (S/P)
15	67002411	DOOR, MINI CHILLER (RT) (S/P)
16	67004268	DOOR, LARGE CHILLER (LT) (S/P)
16	67002410	DOOR, MINI CHILLER (LT) (S/P)
17	67002296	TRAY, CHILLER (S/P)
18	67002291	COVER, CHILLER (S/P)
19	67002293	LINKAGE, CHILLER (S/P)
20	67002292	LINKAGE, CTR CHILLER (S/P)
21	67003210	GRIP PAD (GALLON BUCKET) (S/P)
22	67003209	GRIP PAD (TILT BUCKET) (S/P)