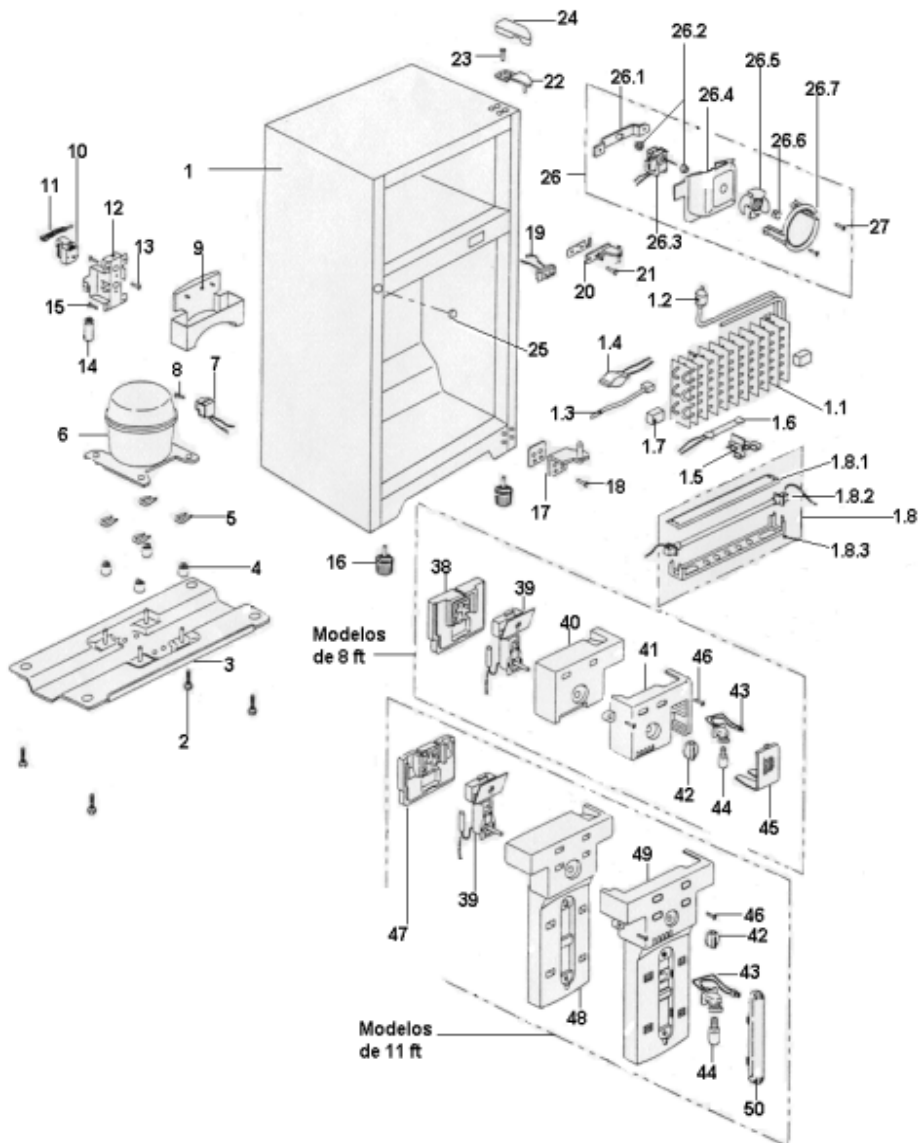


Distribuidor Autorizado

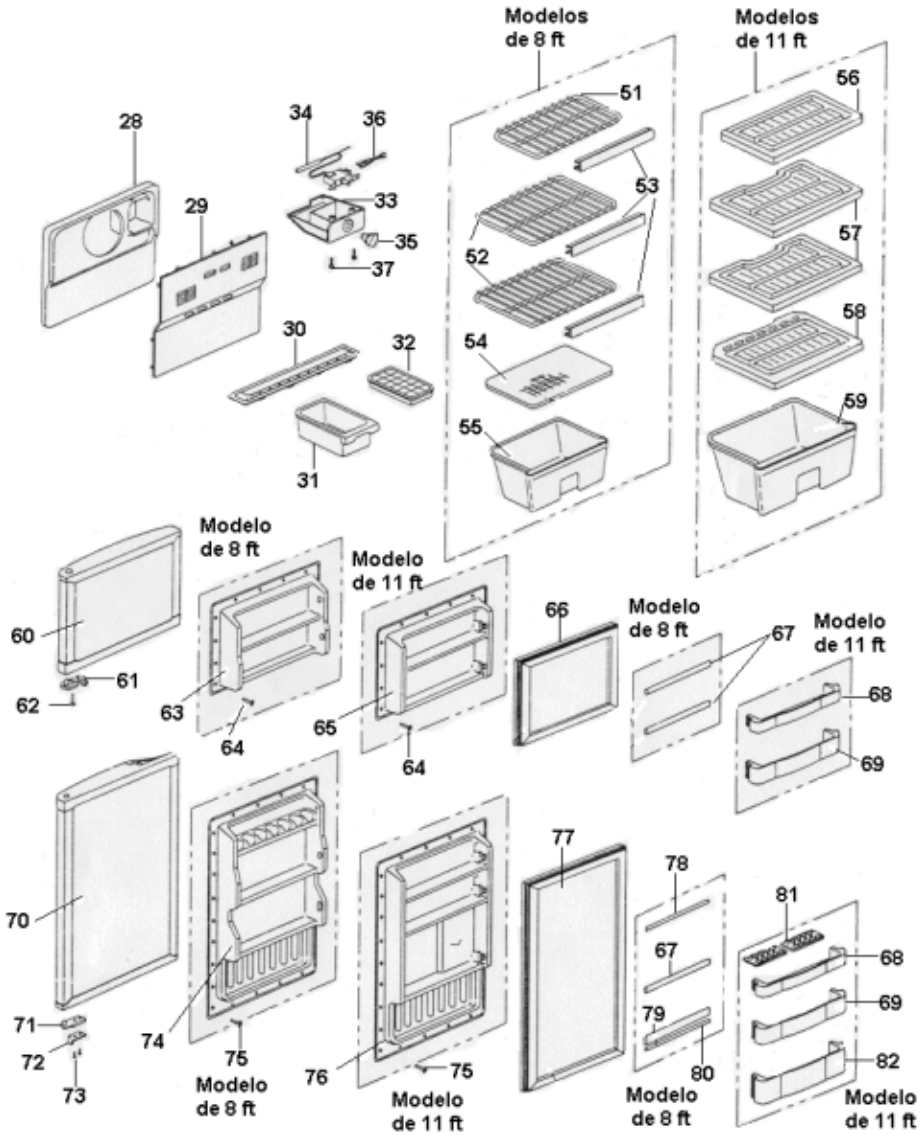
SurteRápido.com

Venta de Refacciones  
Electrodomesticas

ART08JGS7A0



**ART08JGS7A0**





ART08JGS7A0

1	4017Z32233	ASSY CAB URT (S/P)
1.1	4017Z42311	EVAPORATOR AS (S/P)
1.2	3015900800	ACCUM AS (S/P)
1.3	4017Z32244	CLAMP CABLE (S/P)
1.4	4017Z08430	BIMETAL AS (S/P)
1.5	3015900802	FIXTURE FUSE TEMP (S/P)
1.6	3012900900	FUSE TEMP ASS (S/P)
1.7	7640501611	PAD EVA (S/P)
1.8	3010908910	ASSY D HTR (S/P)
1.8.1	3010903200	COVER DEFR HTR*T (S/P)
1.8.2	7650602011	D HEATER ASSY 127 V (S/P)
1.8.3	3010023400	COVER DEFR HTR*U (S/P)
2	3012900610	BOLT SPECL (S/P)
3	3016000203	BASE COMPRESSOR (S/P)
4	3016801910	ABSORBER COMPRESSOR (S/P)
5	7112401211	WASHER SPECL (S/P)
6	4017Z40192	COMPRESSOR (S/P)
7	3012901900	P. RELAY 127 V (S/P)
8	3018101200	SCREW TAPPING (S/P)
9	3012710800	CASE VAPORY (S/P)
10	3010504400	TIMER DEFROST (S/P)
11	7112401211	HARNESS POWER BOX (S/P)
12	2060121229	BOX POWER (S/P)
13	3018107600	SCREW TAPPING (S/P)
14	7112401211	CAPACITOR (S/P)
15	3011108500	SCREW TAPPING (S/P)
16	4010G01125	FOOT ADJ AS (S/P)
17	3010305200	HINGE U ASS (S/P)
18	3010100201	BOLT HEX (S/P)
19	4019H09032	ASSY DOOR S/W (S/P)
20	3010045400	HINGE M ASS (S/P)

21	4017H73572	SCREW SPECIAL (S/P)
22	3012802700	HINGE T ASS (S/P)
23	4019H73582	BOLT HEX (S/P)
24	3018100603	CAP T HINGE (S/P)
25	4017290590	CAP SCREW (S/P)
26	400EL21213	FAN MOTOR ASS (S/P)
26.1	3017001600	COVER FAN MOTOR (B) (S/P)
26.2	3010041200	ABSORBER MOTOR (S/P)
26.3	3017001110	FAN MOTOR (S/P)
26.4	3016100500	COVER FAN MOTOR (C) (S/P)
26.5	4016N03282	FAN (S/P)
26.6	7112401600	FIXTURE FAN (S/P)
26.7	3017406600	COVER FAN MOTOR (A) (S/P)
27	7112401611	SCREW TAPPING (S/P)
28	3017406600	NSU F LOUVER (S/P)
29	*****	LOUVER F (S/P)
30	*****	DUCT RETURN (S/P)
31	3010046020	BOX ICE (S/P)
32	4010G38215	CASE ICING (S/P)
33	3011105300	BOX CONTROL (S/P)
34	***	THERMOSTAT (S/P)
35	***	KNOB C/SW (S/P)
36	*****	HARNESS C/S (S/P)
37	3017806100	SCREW TAPPING (S/P)
38	3017806200	NSULATOR DAMP B (S/P)
39	3011601300	DAMPER AS (S/P)
40	3017806500	NSULATOR DAMP A (S/P)
41	*****	COVER DAMP (S/P)
42	*****	KNOB DAMP (S/P)
43	*****	LAMP R SOCKET (S/P)
45	3013600200	WINDOW R (S/P)
46	3013600010	DUCT M/F DUCT ASSY (S/P)
47	3015502100	NSULATOR DAMP B (S/P)
48	*****	NSULATOR M/F DUCT (S/P)
49	3016700710	COVER MULTIFLOW DUCT (S/P)
50	30113319100	WINDOW R (S/P)

51	3011420600	SHELF F (S/P)
52	4017G31152	SHELF R (S/P)
53	4017G31041	DECORATOR SHELF (S/P)
54	3012710700	SHELF GLASS (S/P)
55	7112401211	CASE VEGETAL (S/P)
56	3013319200	SHELF F (S/P)
58	4010G56013	COVER VEGETABLE CASE (S/P)
59	3010509800	CASE VEGET B (S/P)
60	3018300710	DOOR FR. (WITH/GASKET) (S/P)
60A	7122402011	DOOR FREEZER (S/P)
61	3013319600	STOPPER M HINGE (S/P)
62	3018902900	SCREW TAPPING (S/P)
63	3016903900	LINER F (S/P)
64	4004Q10062	SCREW TAPPING (S/P)
65	4017Z86414	LINER F DR (S/P)
66	30U422202	GASKET FREEZ. DOOR (S/P)
67	*****	POCKET BAR B (S/P)
69	3016800103	POCKET F U (S/P)
70	3013525410	DOOR REF. (WITH/GASKET) (S/P)
70A	3012304000	DOOR REFRIGERATOR (S/P)
71	3019005700	BUSHING R DR (S/P)
72	3019005500	STOPPER R DR (S/P)
73	3019002400	BOLT HEX (S/P)
74	7650602011	LINER R (S/P)
75	3010040800	SCREW TAPPING (S/P)
76	7112401211	LINER R DR (S/P)
77	3017406700	GASKET REF. DOOR (S/P)
78	3010041320	POCKET BAR C (S/P)
79	3010045820	POCKET BAR A (S/P)
80	4010G38023	POCKET BAR D (S/P)
81	4010G38034	CASE EGG (S/P)
82	3012303900	POCKET BOTTLE (S/P)
83	3019005600	DRYER ASS (S/P)
84	*****	NAME PLATE (S/P)
85	*****	AIR DIFFUSER (S/P)