

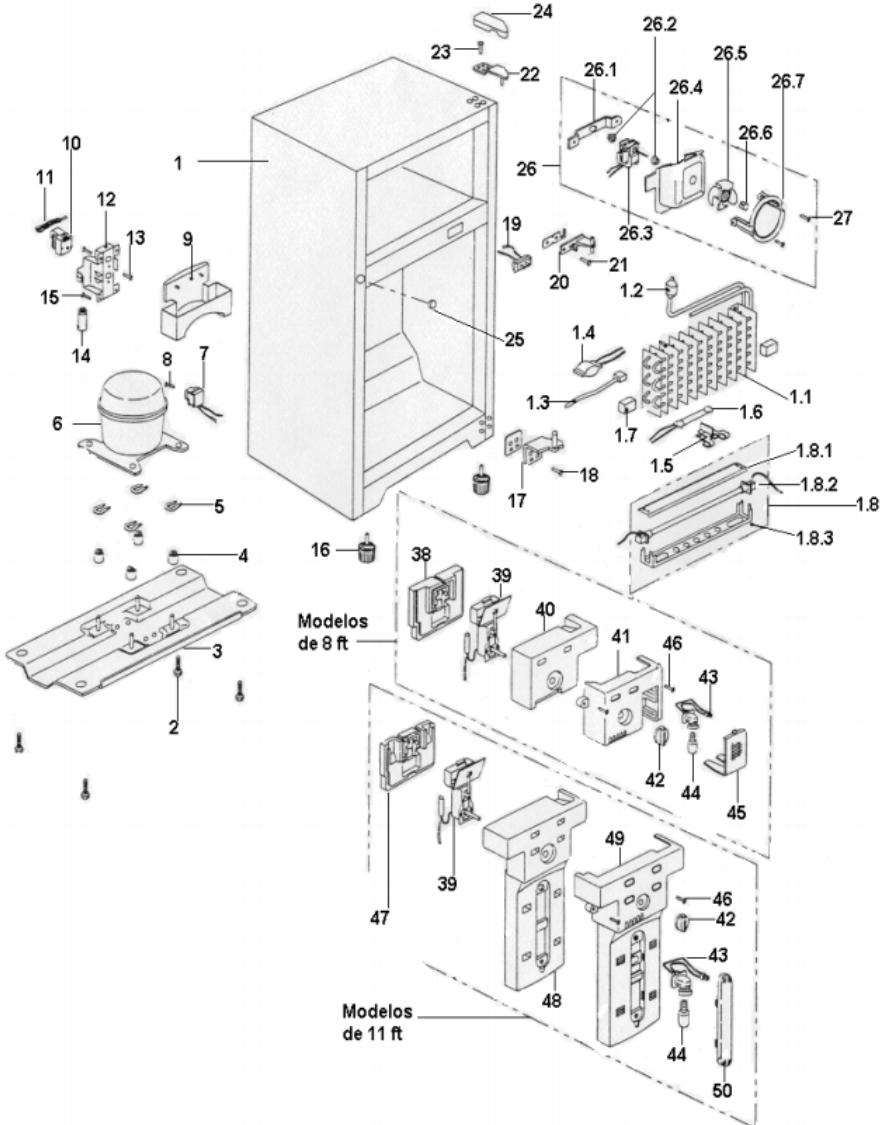
Distribuidor Autorizado

**SurteRápido.com**

Venta de Refacciones  
Electrodomesticas



**ART11M**



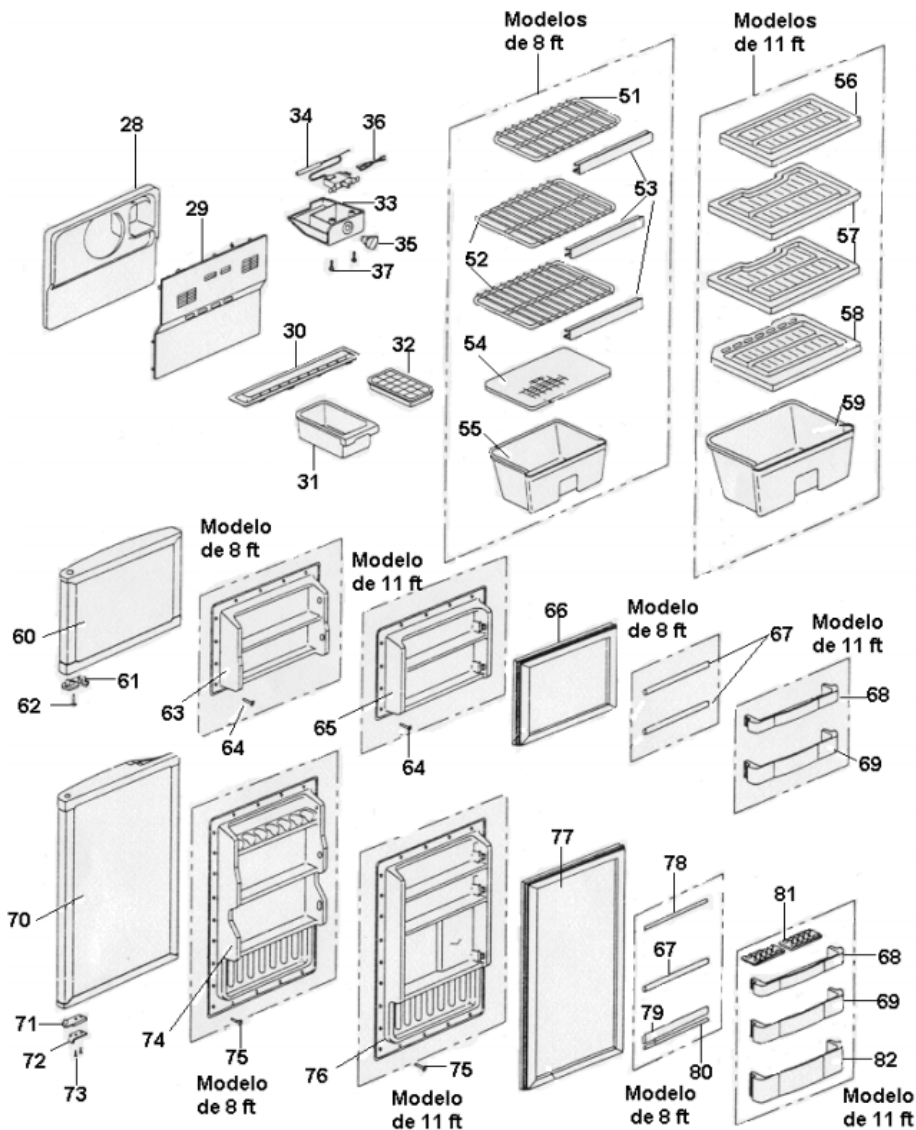
Distribuidor Autorizado

SurteRápido.com

Venta de Refacciones  
Electrodomesticas



ART11M





**ART11M**

1	3010801200	ASSY CAB URT
1.1	3017001200	EVAPORATOR SAS
1.2	3016100500	ACCUMULATOR AS
1.3	4016N03281	CLAMP CABLE
1.4	3018100603	BIMETAL AS
1.5	4017290590	FIXTURE FUSE TEMP
1.6	400EL21214	FUSE TEMP AS
1.7	3017001600	PAD EVA
1.8	3010047900	ASSY D HTR
1.8.1	4017Z73571	COVER DEFR HTR*T
1.8.2	3012802801	HEATER D AS
1.8.3	4017Z73581	COVER DEFR HTR*U
2	4010G01124	BOLT SPECL
3	3010305400	BASE COMP AS
4	3010100201	ABSORBER COMP
5	4019H09031	WASHER SPECL
6	20505214099	COMPRESSOR
7	3018103030	SWITCH P-RELAY AS
8	7112401211	SCREW TAPPING
9	3011108500	CASE VAPORI
10	3018101200	TIMER DEFROST
11	3012710800	HARNESS POWER BOX
12	3010504400	BOX POWER
13	7112401211	SCREW TAPPING
14	3016400450	CAPACITOR STARTING
15	7112401211	SCREW TAPPING
16	4017Z40193	ADJ FOOT AS
17	3012901900	HINGE * U AS
18	7650602011	BOLT HEX
19	3010023400	ASSY DOOR S/W
20	3012900610	HINGE * M AS

21	3016000203	SCREW SPECIAL
22	3012900900	HINGE * T AS
23	7640501611	BOLT HEX
24	3010908900	CAP * T HINGE
25	3010903200	CAP SCREW
26	3015900800	ASSY FAN MOTOR
26.1	4017Z32244	COVER FAN MOTOR (B)
26.2	4017Z08430	ABSORBER MOTOR
26.3	3015900830	FAN MOTOR
26.4	4017Z32233	COVER FAN MOTOR (C)
26.5	4017Z42311	FAN
26.6	4004Q10061	FIXTURE FAN
26.7	4017Z86413	COVER FAN MOTOR (A)
28	3013320000	INSULATOR F LOUVR AS
29	3018902800	LOUVER F
30	3016903600	DUCT RETURN
31	3011105510	BOX ICE
32	4010G56012	CASE ICING
33	3010509900	BOX CONTL
34	3018300700	THERMOSTAT
35	4017G31042	KNOB C/S
36	3012710700	HARNESS C/S
37	7112401211	SCREW TAPPING
38	***	INSULATOR DAMP B
39	3016700701	DAMPER AS
40	***	INSULATOR DAMP A
41	***	COVER DAMP
42	4017G31153	KNOB DAMP
43	3013600200	LAMP SOCKET AS
44	3013600210	LAMP
45	***	WINDOW R
46	3016904201	DUCT M/F DUCT ASSY
47	3013317300	INSULATOR DAMP B
48	3013317200	INSULATOR M/F DUCT
49	3011413500	COVER M/F DUCT
50	3015502000	WINDOW R

51	***	SHELF F
52	***	SHELF R
53	3011601301	DECORATOR SHELF
54	***	SHELF GLASS
55	***	CASE VAGET B
56	3017805910	SHELF F
57	3011108610	SHELF R
58	3011413600	COVER VEGET B
59	3017806010	CASE VEGET B
60	301004800	ASSY F DR URT
61	4010G38216	STOPPER DR
62	7112401600	SCREW TAPPING
63	***	LINER F
64	7112401611	SCREW TAPPING
65	3017406300	LINER F
66	3012304100	GASKET F AS
67	***	POCKET BAR B
68	3019005200	POCKET F DR * T
69	3019005300	POCKET F DR * U
70	3010040900	ASSY R DR URT
71	4010G38023	BUSHING R DR
72	4010G38034	STOPPER R DR
73	7650602012	BOLT HEX
74	***	LINER R
75	7112401211	SCREW TAPPING
76	3017406400	LINER R
77	3012303800	GASKET R AS
78	***	POCKET BAR C
79	***	POCKET BAR A
80	***	POCKET BAR D
81	4017Z97172	CASE EGG
82	3019005400	POCKET BOTL
83	3016800103	DRIER ASSY
84	3013525410	NAME PLATE
85	3016904200	AIR DIFFUSER