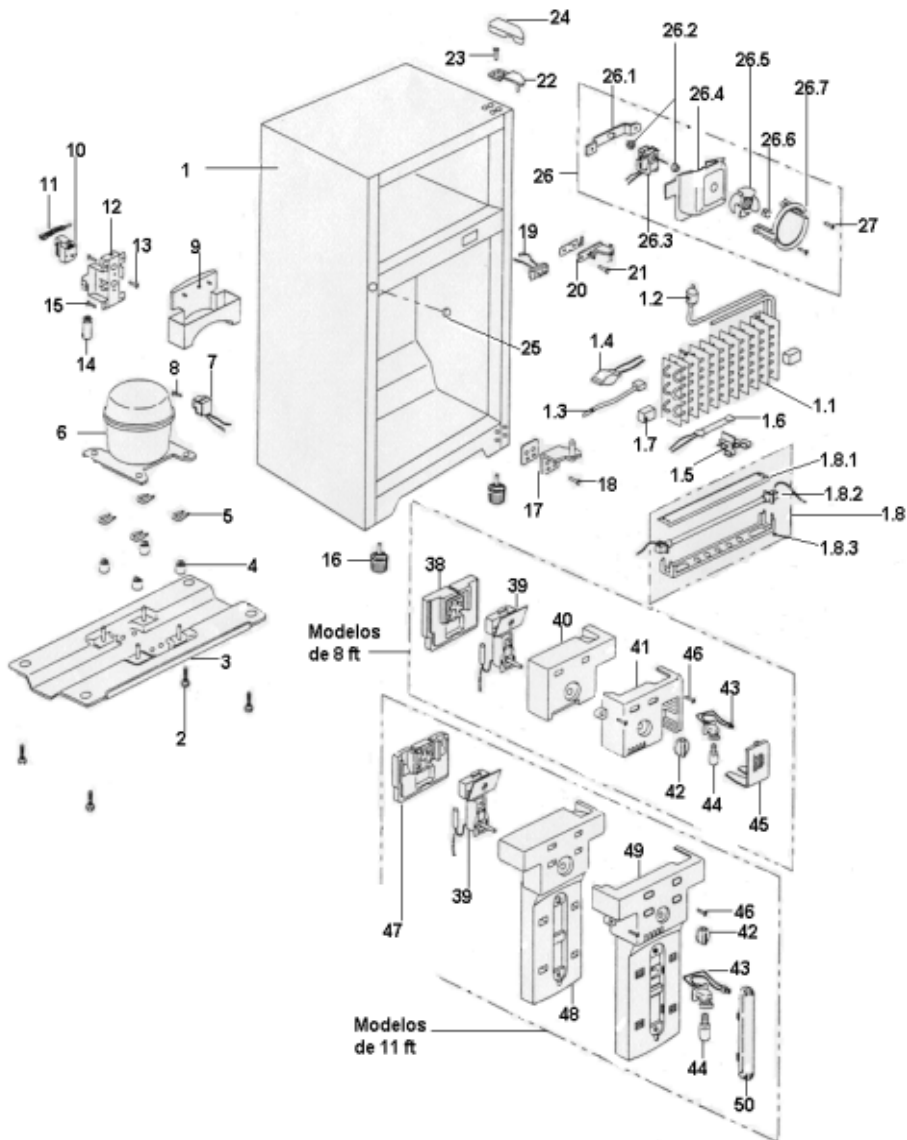


Distribuidor Autorizado

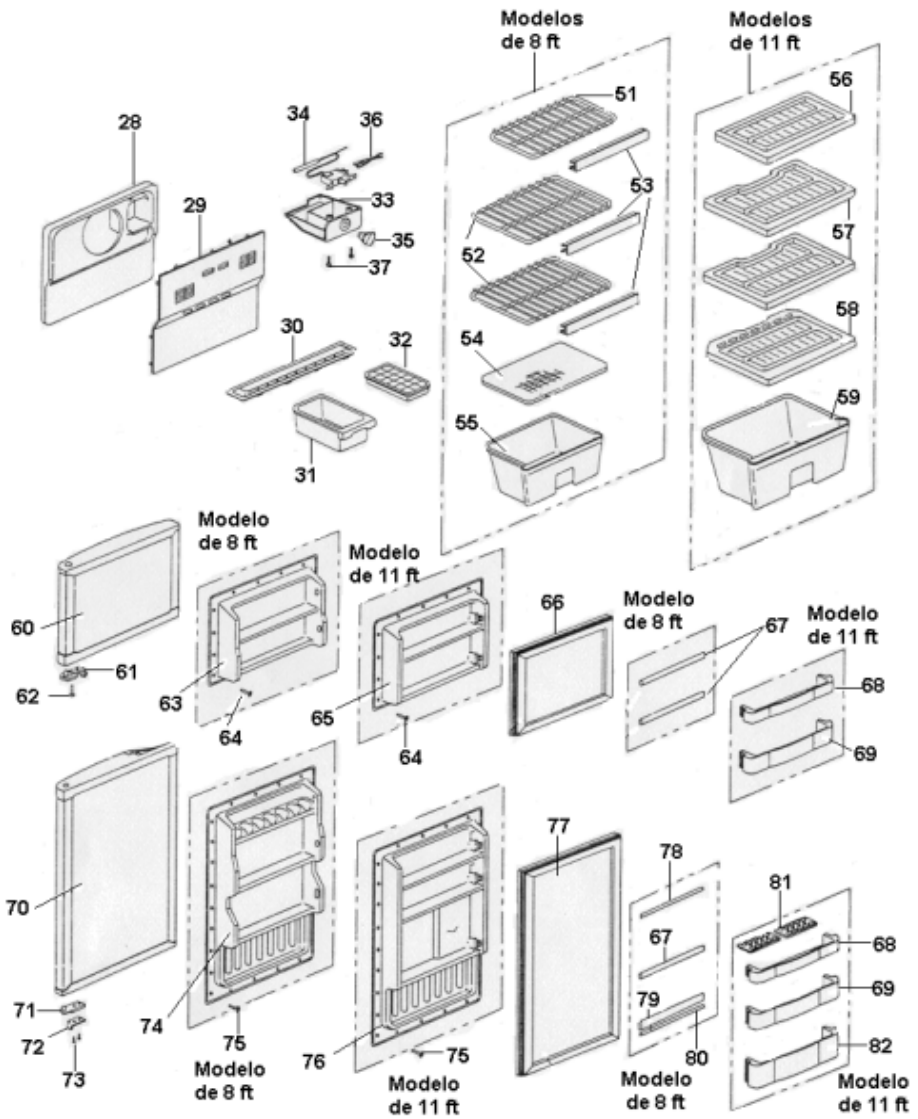
SurteRápido.com

Venta de Refacciones
Electrodomesticas

ART271



ART271





ART271

1	3010903200	ASSY CAB URT (S/P)
1.1	3010047200	EVAPORATOR SAS (S/P)
1.2	3016000203	ACCUMULATOR AS (S/P)
1.3	3012900900	CLAMP CABLE (S/P)
1.4	7640501611	BIMETAL AS (S/P)
1.5	3010908900	FIXTURE FUSE TEMP (S/P)
1.6	3012901900	FUSE TEMP AS (S/P)
1.7	7650602011	PAD EVA (S/P)
1.8	3010023400	ASSY D HTR (S/P)
1.8.1	3012900610	COVER DEFR HTR*T (S/P)
1.8.2	7112401211	HEATER D AS (S/P)
1.8.3	3016400400	COVER DEFR HTR*U (S/P)
2	7112401211	BOLT SPECL (S/P)
3	4017Z40192	BASE COMP AS (S/P)
4	3011108500	ABSORBER COMP (S/P)
5	3018101200	WASHER SPECL (S/P)
6	3012710800	COMPRESSOR (S/P)
7	3010504400	SWITCH P-RELAY AS (S/P)
8	4019H09030	SCREW TAPPING (S/P)
9	39521234UO	CASE VAPORI (S/P)
10	3018103030	TIMER DEFROST (S/P)
11	7112401211	HARNESS POWER BOX (S/P)
12	4019H73580	BOX POWER (S/P)
13	4010G01123	SCREW TAPPING (S/P)
14	3010305600	CAPACITOR STARTING (S/P)
15	3010100201	SCREW TAPPING (S/P)
16	3017001600	ADJ FOOT AS (S/P)
17	3010045400	HINGE * U AS (S/P)
18	4017H73570	BOLT HEX (S/P)
19	3012802700	ASSY DOOR S/W (S/P)
20	4016N03280	HINGE * M AS (S/P)

21	3018100603	SCREW SPECIAL (S/P)
22	4017290590	HINGE * T AS (S/P)
23	400EL21213	BOLT HEX (S/P)
24	3010041200	CAP * T HINGE (S/P)
25	3017001100	CAP SCREW (S/P)
26	3016100500	ASSY FAN MOTOR (S/P)
26.1	3017806510	COVER FAN MOTOR (B) (S/P)
26.2	3011105310	ABSORBER MOTOR (S/P)
26.3	3017805910	FAN MOTOR (S/P)
26.4	***	COVER FAN MOTOR (C) (S/P)
26.5	3017806100	FAN (S/P)
26.6	3017806000	FIXTURE FAN (S/P)
26.7	3011601300	COVER FAN MOTOR (A) (S/P)
27	***	SCREW TAPPING (S/P)
28	***	INSULATOR F LOUVR AS (S/P)
29	***	LOUVER F (S/P)
30	***	DUCT RETURN (S/P)
31	4017G31152	BOX ICE (S/P)
32	3013600200	CASE ICING (S/P)
33	3013600210	BOX CONTL (S/P)
34	3015502100	THERMOSTAT (S/P)
35	3013319200	KNOB C/S (S/P)
36	3016700700	HARNESS C/S (S/P)
37	30113319100	SCREW TAPPING (S/P)
38	3011420600	INSULATOR DAMP B (S/P)
39	3018300700	DAMPER AS (S/P)
40	4017G31041	INSULATOR DAMP A (S/P)
41	3012710700	COVER DAMP (S/P)
42	7112401211	KNOB DAMP (S/P)
43	3016903900	LAMP SOCKET AS (S/P)
44	*	LAMP (S/P)
45	4010G56011	WINDOW R (S/P)
46	3010509800	DUCT M/F DUCT ASSY (S/P)
47	4017Z86412	INSULATOR DAMP B (S/P)
48	7122402011	INSULATOR M/F DUCT (S/P)
49	3013319400	COVER M/F DUCT (S/P)

50	3018902900	WINDOW R (S/P)
51	3015900800	SHELF F (S/P)
52	4017Z32233	SHELF R (S/P)
53	4017Z42311	DECORATOR SHELF (S/P)
54	4004Q10060	SHELF GLASS (S/P)
55	4017Z32244	CASE VAGET B (S/P)
56	4017Z08430	SHELF F (S/P)
57	30U422200	SHELF R (S/P)
58	***	COVER VEGET B (S/P)
59	3016800103	CASE VEGET B (S/P)
60	3013525410	ASSY F DR URT (S/P)
61	3019005700	STOPPER DR (S/P)
62	3019005500	SCREW TAPPING (S/P)
63	3019005410	LINER F (S/P)
65	3010040800	LINER F (S/P)
66	7112401211	GASKET F AS (S/P)
67	3017406700	POCKET BAR B (S/P)
68	3012304000	POCKET F DR * T (S/P)
69	3010041400	POCKET F DR * U (S/P)
70	4010G38023	ASSY R DR URT (S/P)
71	4010G38034	BUSHING R DR (S/P)
72	7650602011	STOPPER R DR (S/P)
73	3012303900	BOLT HEX (S/P)
74	3019005600	LINER R (S/P)
75	***	SCREW TAPPING (S/P)
76	***	LINER R (S/P)
77	7112401600	GASKET R AS (S/P)
78	3017406600	POCKET BAR C (S/P)
79	7112401611	POCKET BAR A (S/P)
80	***	POCKET BAR D (S/P)
81	3011413600	CASE EGG (S/P)
82	***	POCKET BOTL (S/P)
83	3010041300	DRIER ASSY (S/P)
84	4010G38214	NAME PLATE (S/P)
85	3017806010	AIR DIFFUSER (S/P)