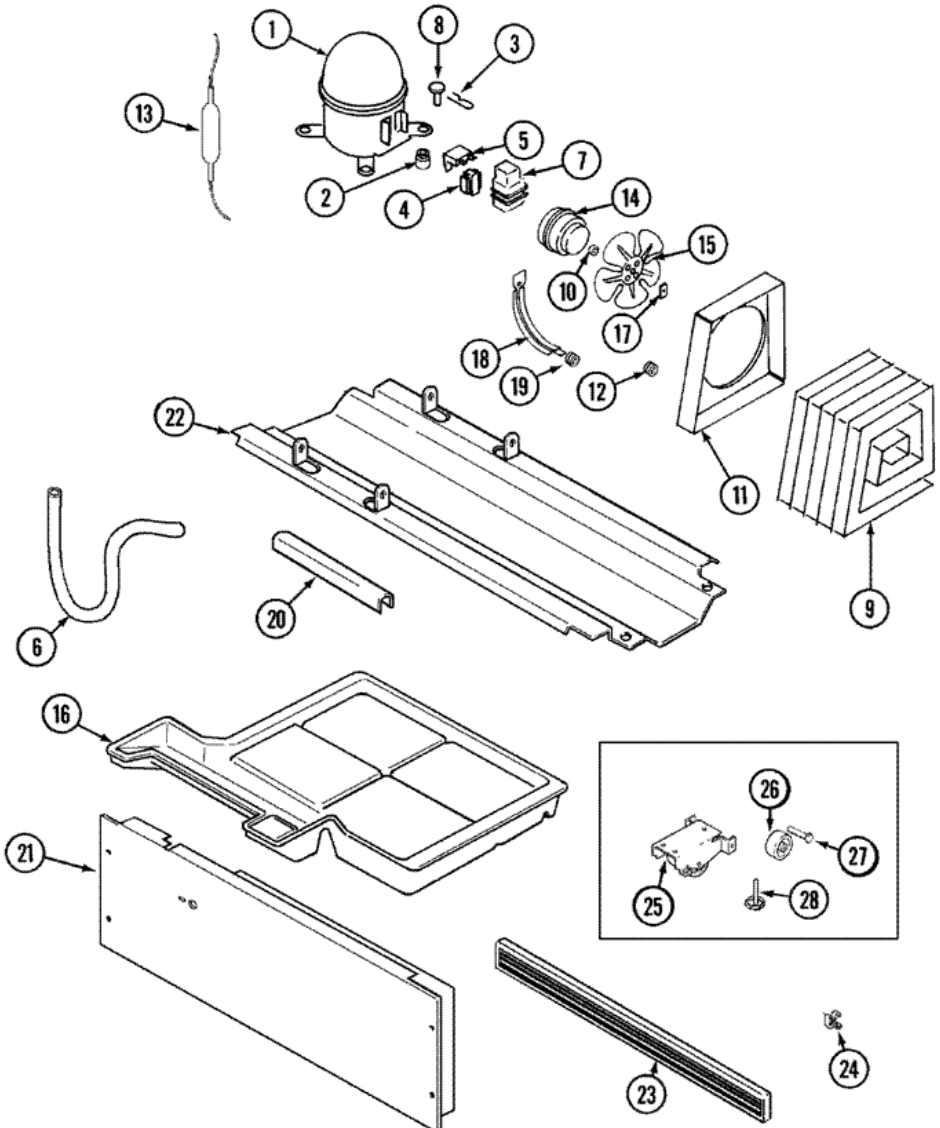


Distribuidor Autorizado

SurteRápido.com

Venta de Refacciones  
Electrodomesticas

## ATB1511ARA COMPRESSOR



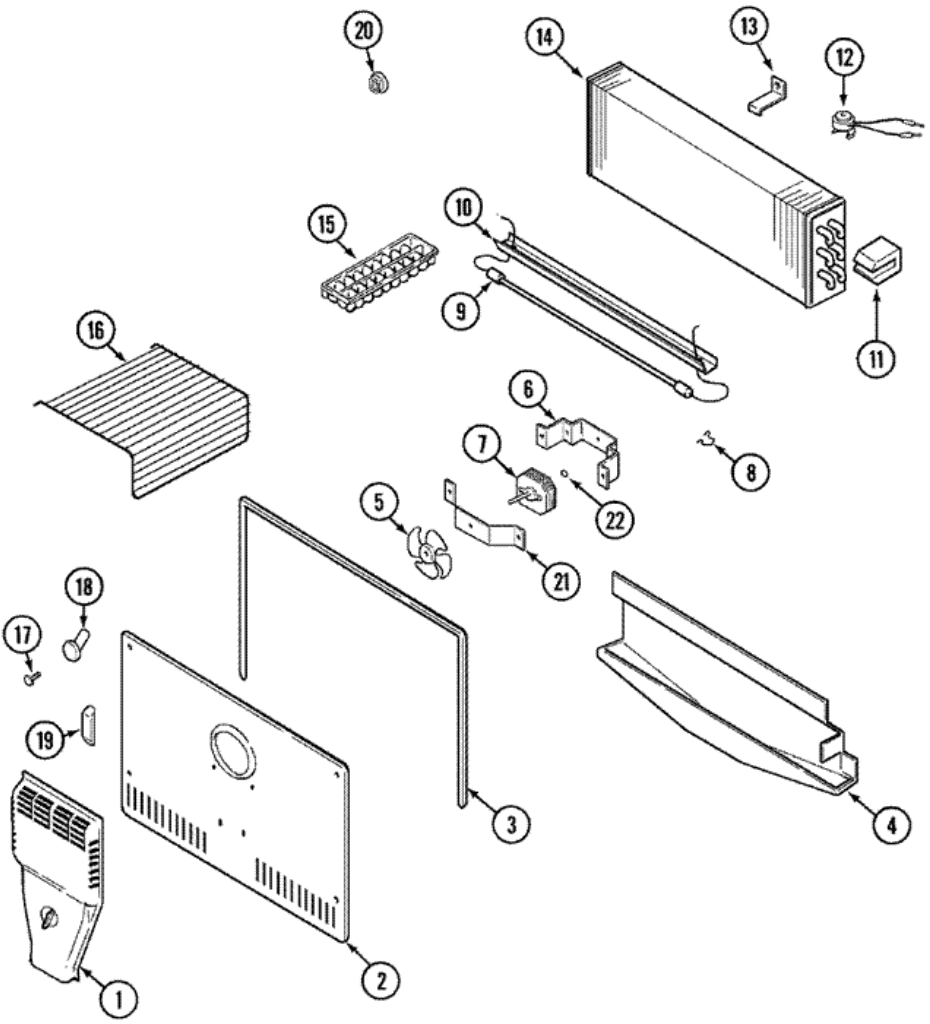


## ATB1511ARA COMPRESSOR

1	12001373	COMPRESSOR (R134A) 115V. <b>(S/P)</b>
1	61002012	WIRE HARNESS, COMP(W/PWR.CORD) <b>(S/P)</b>
1	12001697	COMPRESSOR R134A 110V 575 BTU <b>(S/P)</b>
2	17245-4	GROMMET, COMPRESSOR <b>(S/P)</b>
3	61005561	CLIP <b>(S/P)</b>
4	61004837	RELAY, START <b>(S/P)</b>
4	68857-2	RELAY, START <b>DESCONTINUADO</b>
5	61001898	OVERLOAD <b>(S/P)</b>
5	61003672	OVERLOAD <b>DESCONTINUADO</b>
6	61006123	TUBE, DRAIN TRAP <b>(S/P)</b>
7	61001900	COVER, TERMINAL <b>(S/P)</b>
7	61002138	COVER, TERMINAL <b>(S/P)</b>
8	61006030	PLUG, COMPRESSOR <b>DESCONTINUADO</b>
9	61001885	SCREW <b>(S/P)</b>
9	61005454	COIL, CONDENSER <b>(S/P)</b>
10	61001686	WASHER, FAN BLADE <b>(S/P)</b>
11	61001941	SHROUD, CONDENSER <b>(S/P)</b>
12	61002033	GROMMET, CONDENSER TUBING <b>(S/P)</b>
13	13900-1	DRIER <b>(S/P)</b>
14	833697	MOTOR, CONDENSER FAN
14	65275-33	SCREW <b>(S/P)</b>
15	12587601	BLADE, CONDENSER FAN <b>(S/P)</b>
16	61004095	PAN, DRAIN <b>(S/P)</b>
16	61002958	FASTENER, DRAIN PAN <b>(S/P)</b>
17	486692	CLIP, FAN BLADE <b>(S/P)</b>
18	69181-1	BRACKET, FAN MOTOR <b>(S/P)</b>
19	56933-1	GROMMET, BRACKET <b>(S/P)</b>
20	61001974	ISOLATOR, CONDENSER <b>(S/P)</b>
21	61004397	COVER, COMPRESSOR <b>DESCONTINUADO</b>
21	65275-49	SCREW <b>(S/P)</b>
22	61005242	PAN, COMPRESSOR MTG. <b>DESCONTINUADO</b>
22	61002407	SCREW <b>(S/P)</b>
23	61002698	KICKPLATE W/CLIPS (ALM) <b>(S/P)</b>

24	61001975	CLIP, KICKPLATE (S/P)
25	61001978	WHEEL ASSY. (S/P)
25	400016-1	SCREW (S/P)
26	61003826	WHEEL (REAR) (S/P)
27	61002104	PIN, WHEEL (S/P)
28	61002014	LEG, LEVELING (S/P)

**ATB1511ARA FREEZER  
 COMPARTMENT**





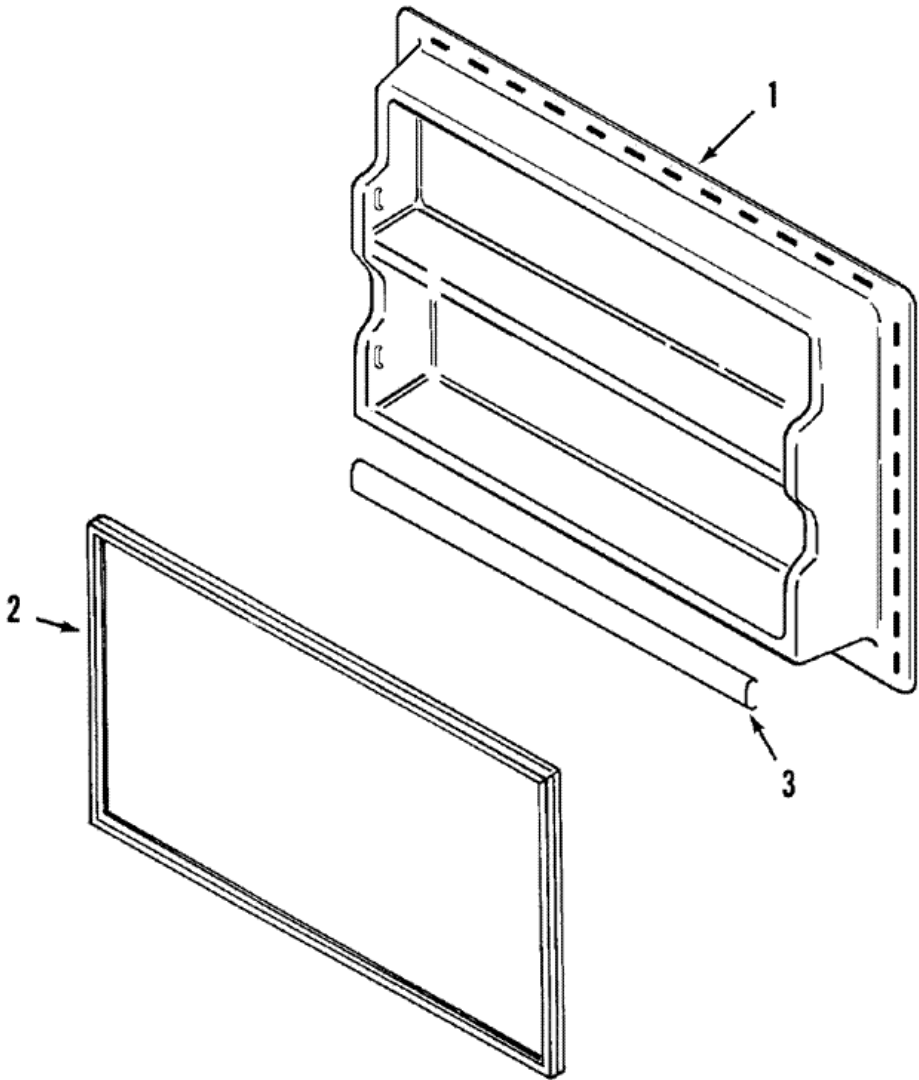
**ATB1511ARA FREEZER  
COMPARTMENT**

1	61001943	TUNNEL, AIR <b>DESCONTINUADO</b>
2	61002429	SCREW <b>(S/P)</b>
2	61001938	COVER, EVAPORATOR <b>DESCONTINUADO</b>
3	61001967	SEAL, FOAM (CTR.) <b>(S/P)</b>
3	61002517	SEAL, FOAM (SOUND DAMPENING) <b>DESCONTINUADO</b>
3	61004560	SEAL, EVAPORATOR COVER <b>(S/P)</b>
4	61004830	TRAY, DRIP <b>DESCONTINUADO</b>
4	61004832	BARRIER, FOIL <b>(S/P)</b>
5	61001935	BLADE, EVAPORATOR FAN <b>(S/P)</b>
6	61001930	BRACKET, EVAPORATOR FAN <b>(S/P)</b>
6	61001885	SCREW <b>(S/P)</b>
7	61004888	MOTOR, EVAPORATOR FAN
8	61003071	CLIP, DEFROST HEATER <b>(S/P)</b>
8	61006173	CLIP, DEFROST HEATER <b>(S/P)</b>
9	61001946	HEATER, DEFROST
10	61001956	SHIELD, DEFROST HEATER <b>(S/P)</b>
11	61004836	SUPPORT, EVAPORATOR (RT) <b>(S/P)</b>
11	61004835	SUPPORT, EVAPORATOR (LT) <b>DESCONTINUADO</b>
11	61003013	SUPPORT, EVAPORATOR (RT) <b>DESCONTINUADO</b>
11	61003012	SUPPORT, EVAPORATOR (LT) <b>(S/P)</b>
12	61005254	THERMOSTAT, DEFROST
12	61002992	THERMOSTAT, DEFROST
12	61005254	THERMOSTAT, DEFROST
13	400017-35	SCREW <b>(S/P)</b>
13	61001951	BRACKET, EVAPORATOR <b>(S/P)</b>
14	12001396	EVAP/HEAT EXCH. ASSY. 15 & 17` <b>(S/P)</b>
15	59281-2	TRAY, ICE <b>(S/P)</b>
16	61001966	TRIVET <b>DESCONTINUADO</b>
17	67557-2	PLUG BUTTON, AIR DUCT & I/M <b>(S/P)</b>
18	61002026	CAP, FILL TUBE <b>(S/P)</b>
19	61002027	CAP, I/M WIRE HARNESS <b>(S/P)</b>
20	61002028	CAP, WATER ENTRY <b>DESCONTINUADO</b>
21	61002234	RETAINER, EVAPORATOR FAN <b>(S/P)</b>

21	61001885	SCREW <b>(S/P)</b>
22	61002235	BUSHING, EVAPORATOR FAN <b>(S/P)</b>
23	61002236	WIRE HARNESS, FREEZER <b>DESCONTINUADO</b>
23	61002321	WIRE HARNESS, FREEZER <b>(S/P)</b>



**ATB1511ARA FREEZER INNER DOOR**





## ATB1511ARA FREEZER INNER DOOR

1	65275-5	SCREW <b>(S/P)</b>
1	61001927	LINER, FRZ. DOOR <b>DESCONTINUADO</b>
2	61004002	SEAL, FRZ. DOOR (WHT) <b>(S/P)</b>
3	61001962	TRIM, DOOR SHELF (20 7/8``) <b>(S/P)</b>

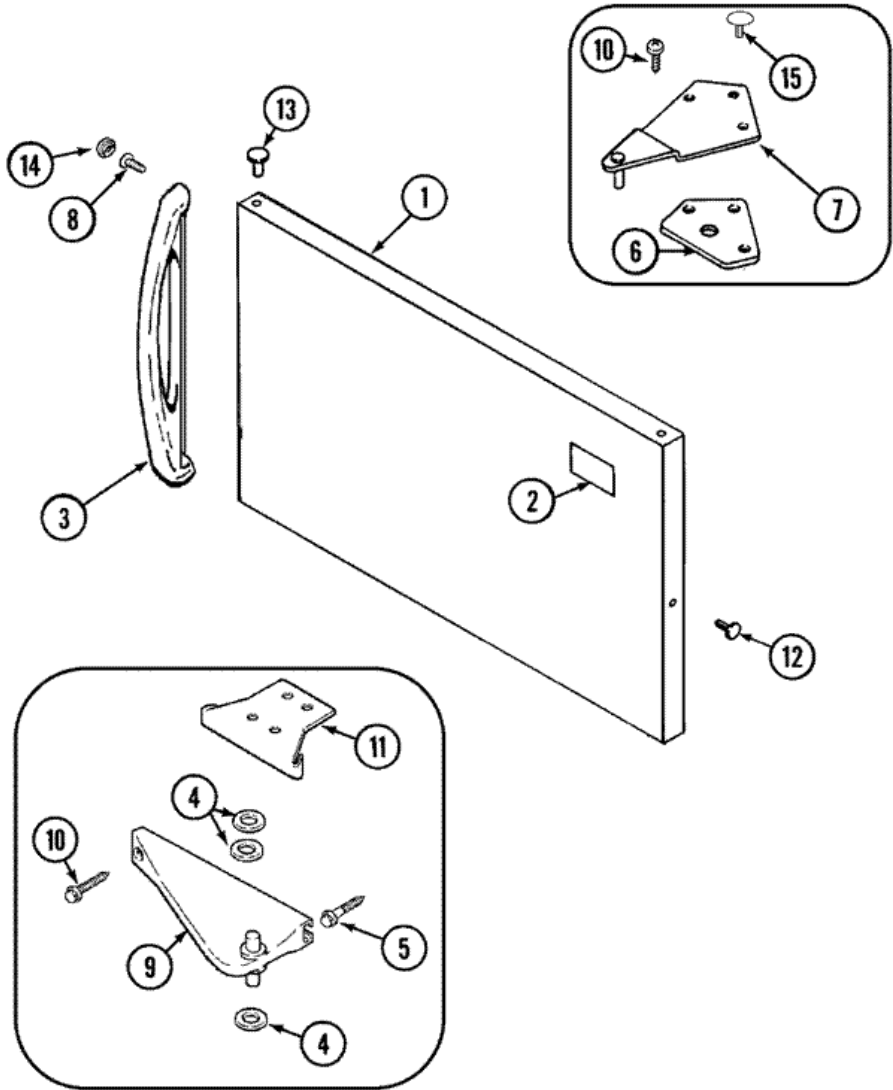


Distribuidor Autorizado

SurteRápido.com

Venta de Refacciones  
Electrodomesticas

# ATB1511ARA FREEZER OUTER DOOR

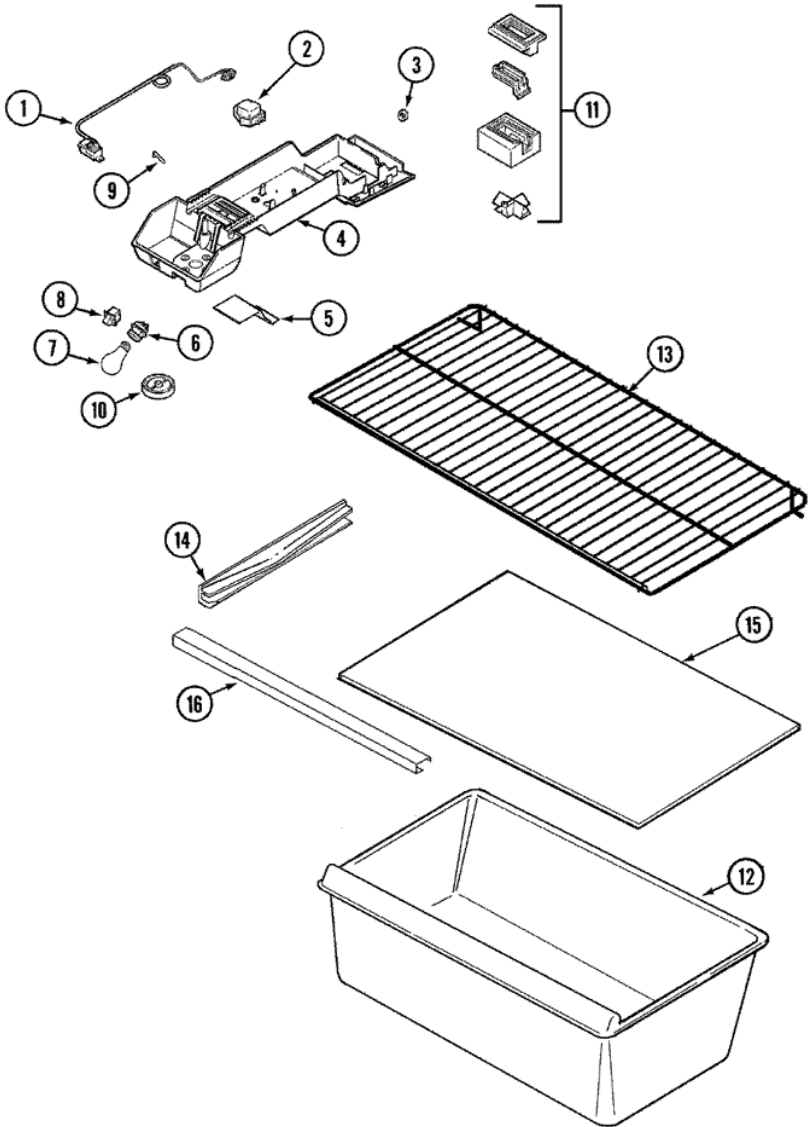




## ATB1511ARA FREEZER OUTER DOOR

1	61002198	PANEL, FRZ. DOOR (ALM) <b>DESCONTINUADO</b>
2	66982-30	NAMEPLATE (ALM) <b>DESCONTINUADO</b>
3	61002018	HANDLE, DOOR (ALM) <b>DESCONTINUADO</b>
4	61002231	WASHER, CENTER HINGE <b>(S/P)</b>
5	61002025	SCREW <b>(S/P)</b>
6	61001922	SHIM, UPPER HINGE <b>(S/P)</b>
7	61004896	HINGE, UPPER <b>(S/P)</b>
8	61002031	SCREW, HANDLE <b>(S/P)</b>
8	61002912	ANCHOR, SCREW <b>(S/P)</b>
9	61001921	HINGE, CENTER (ALM) <b>(S/P)</b>
10	61002022	SCREW <b>(S/P)</b>
11	61004486	STOP, DOOR (ALM) <b>(S/P)</b>
11	61002180	SCREW <b>(S/P)</b>
11	61001876	SCREW <b>(S/P)</b>
12	61001911	PLUG, ANCHOR SCREW (ALM) <b>DESCONTINUADO</b>
13	61001909	PLUG BUTTON, HINGE CUP (ALM) <b>(S/P)</b>
14	69922-2	PLUG, BUTTON (ALM) <b>(S/P)</b>
15	61001924	PLUG BUTTON, HINGE (ALM) <b>(S/P)</b>

**ATB1511ARA FRESH FOOD  
COMPARTMENT**

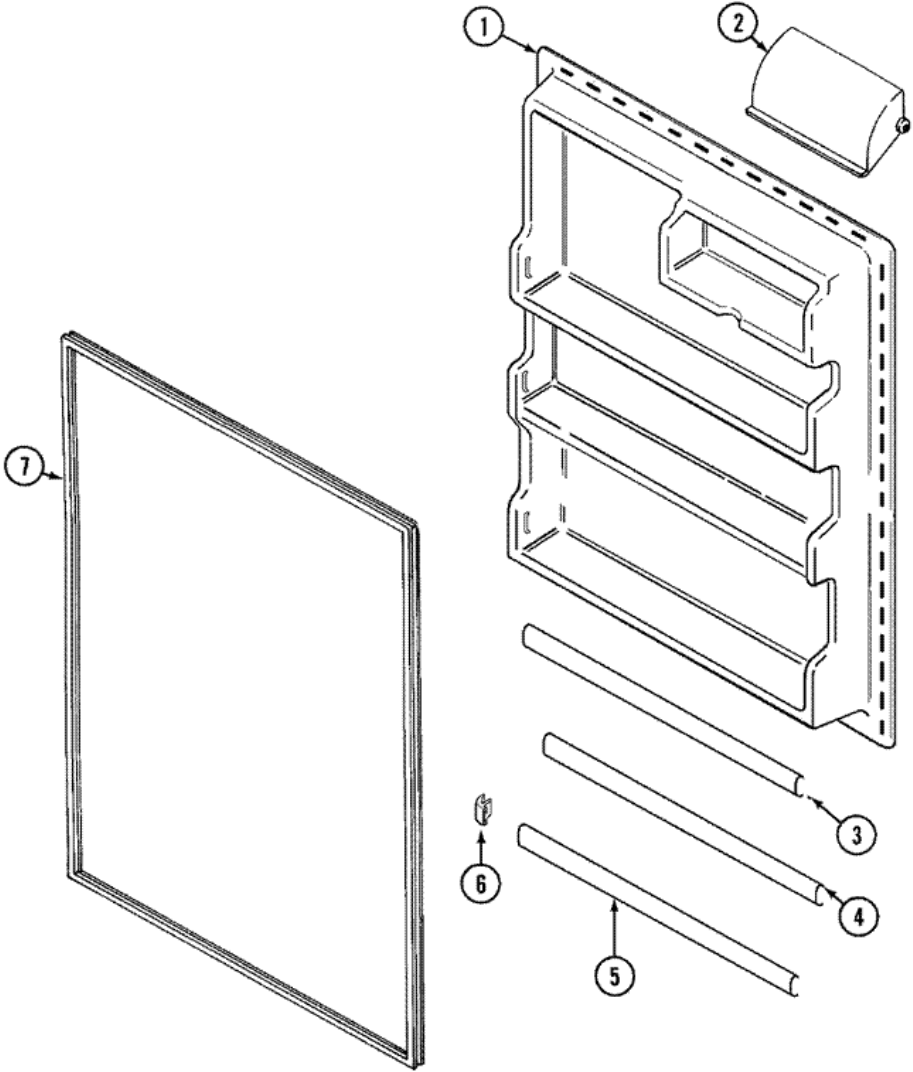




**ATB1511ARA FRESH FOOD  
COMPARTMENT**

1	61005789	CONTROL ASSY., TEMPERATURE
1	65275-81	SCREW (S/P)
2	405007-1	SCREW (S/P)
2	68233-2	TIMER, DEFROST (S/P)
3	61001977	SEAL, DRAIN (S/P)
4	61004946	HOUSING, CONTROL (S/P)
4	61002115	SCREW, HOUSING MTG. (S/P)
5	61002985	FOIL, BARRIER (S/P)
6	61005604	RECEPTACLE, BULB (S/P)
7	61001787	BULB, LIGHT (S/P)
8	1118894	SWITCH, LIGHT (S/P)
9	61002117	CLIP, RECEPTACLE (S/P)
10	61006072	KNOB, CONTROL (F.F.) (S/P)
11	12001377	DAMPER/INSULATION KIT (S/P)
12	61001933	PAN, CRISPER <b>DESCONTINUADO</b>
13	61001950	SHELF <b>DESCONTINUADO</b>
14	61004886	RAIL, CRISPER PAN (LT) (S/P)
14	61004887	RAIL, CRISPER PAN (RT) (S/P)
14	400017-1	SCREW (S/P)
15	12001442	KIT, CRISPER SHELF (W/RAIL) (S/P)
16	61001961	TRIM, GLASS <b>DESCONTINUADO</b>
17	61002173	WIRE HARNESS, CONTROLS (S/P)
17	61002212	WIRE HARNESS, CONTROLS (S/P)

**ATB1511ARA FRESH FOOD INNER  
DOOR**

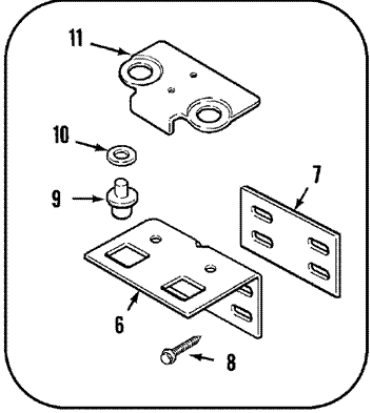
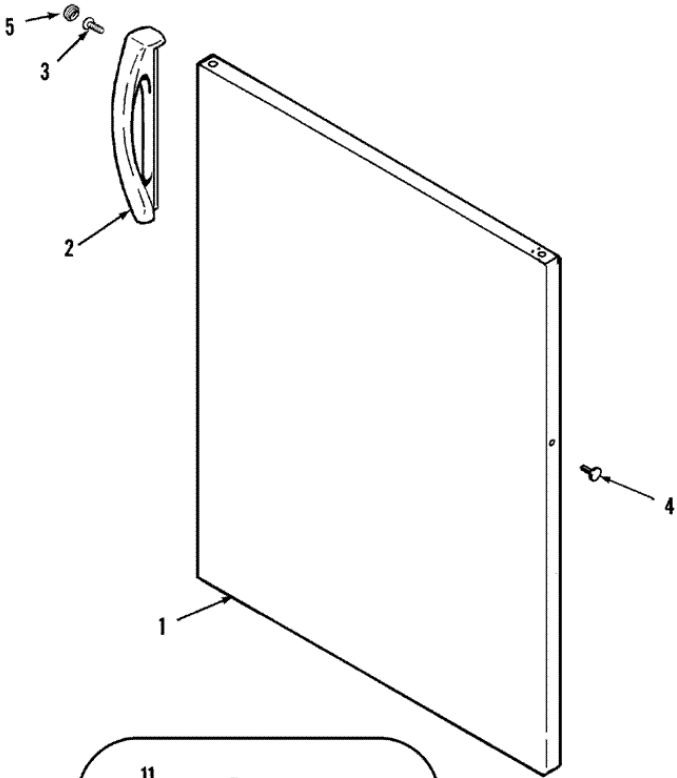




**ATB1511ARA FRESH FOOD INNER  
DOOR**

1	65275-5	SCREW <b>(S/P)</b>
1	61003027	LINER, F.F. DOOR <b>DESCONTINUADO</b>
2	61002977	DOOR, DAIRY <b>DESCONTINUADO</b>
3	61001963	TRIM, SHELF (20``) <b>(S/P)</b>
4	61001965	TRIM, DOOR SHELF (21``) <b>(S/P)</b>
5	61001964	TRIM, SHELF (21 5/8``) <b>(S/P)</b>
6	61002112	END CAP, SHELF TRIM <b>(S/P)</b>
7	61003999	SEAL, F.F. DOOR (WHT) <b>(S/P)</b>

**ATB1511ARA FRESH FOOD OUTER  
DOOR**





**ATB1511ARA FRESH FOOD OUTER  
DOOR**

1	61002196	PANEL, F.F. DOOR (ALM) <b>DESCONTINUADO</b>
2	61002019	HANDLE, DOOR (ALM) <b>(S/P)</b>
3	61002031	SCREW, HANDLE <b>(S/P)</b>
3	61002912	ANCHOR, SCREW <b>(S/P)</b>
4	61001911	PLUG, ANCHOR SCREW (ALM) <b>DESCONTINUADO</b>
5	69922-2	PLUG, BUTTON (ALM) <b>(S/P)</b>
6	61001919	HINGE, LOWER (ALM) <b>(S/P)</b>
7	61001926	SHIM, LOWER HINGE <b>(S/P)</b>
8	61002022	SCREW <b>(S/P)</b>
9	61001925	PIN, LOWER HINGE <b>(S/P)</b>
10	61002231	WASHER, CENTER HINGE <b>(S/P)</b>
11	61006147	STOP, DOOR <b>DESCONTINUADO</b>
11	61001876	SCREW <b>(S/P)</b>

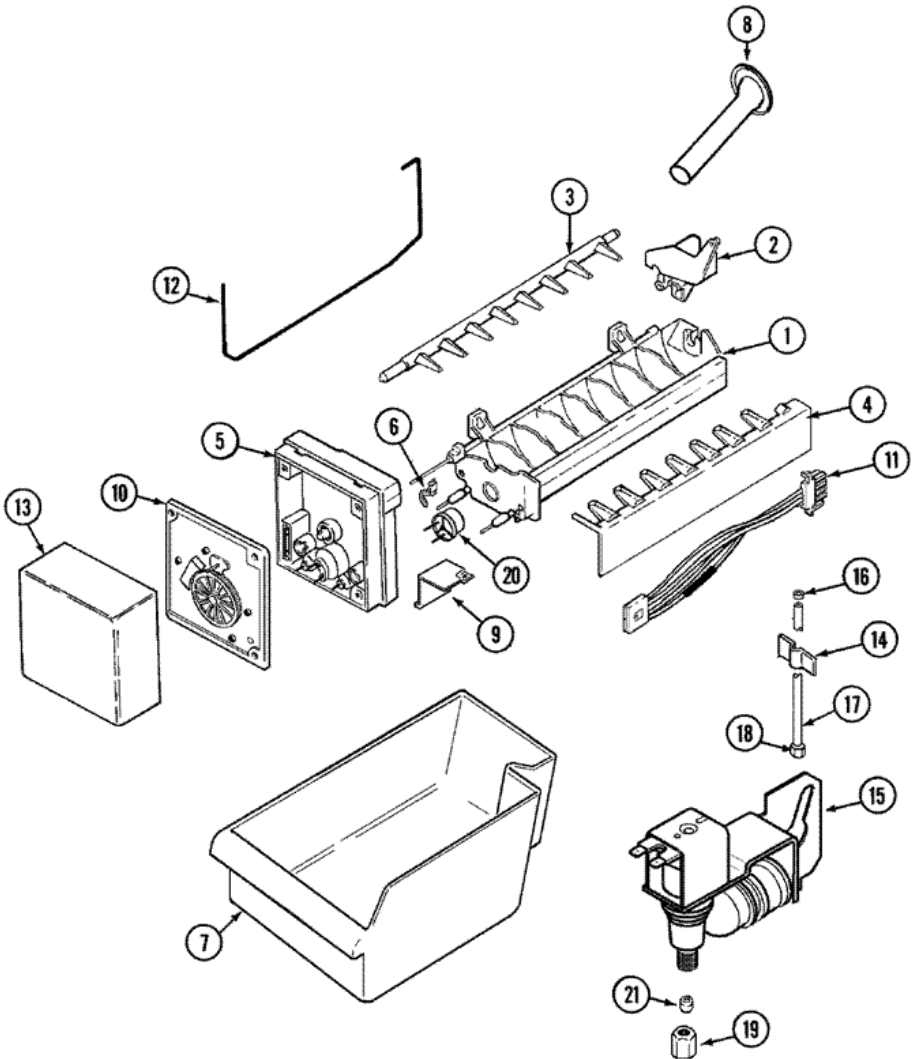


Distribuidor Autorizado

SurteRápido.com

Venta de Refacciones  
Electrodomesticas

## ATB1511ARA ICE MAKER





## ATB1511ARA ICE MAKER

1	D7824706Q	MOLD & HEATER ASSY. (S/P)
1	99003172	GREASE, SILICONE (S/P)
2	628356	INLET, WATER (S/P)
3	627843	EJECTOR, ICE (S/P)
4	2182124	STRIPPER, ICE (S/P)
5	2195914	SUPPORT, MODULE HOUSING (S/P)
5	95106-1	SCREW (S/P)
6	2315522	RETAINER, THERMOSTAT (S/P)
7	61001886	PAN, ICE (S/P)
8	61005940	GROMMET, WATER ENTRY (S/P)
9	95108-1	SCREW, BRACKET <b>DESCONTINUADO</b>
9	2256087	BRACKET, MODULE & HEATER (S/P)
10	400021-1	SCREW (S/P)
10	D7824706Q	MODULE, ICE MAKER (S/P)
11	61001882	WIRE HARNESS, ICE MAKER (S/P)
12	68112-1	ARM, SENSOR (S/P)
13	61005374	COVER, ICE MAKER (S/P)
14	53516-8	CLAMP, TUBING (S/P)
14	61001889	CLIP, WATER LINE (ADHESIVE) (S/P)
14	400016-1	SCREW (S/P)
15	61002819	SCREW (S/P)
15	61005273	VALVE, WATER (S/P)
16	60333-4	CLAMP, SPRING (S/P)
17	B5705307	TUBING, VALVE TO GROMMET (S/P)
18	69583-1	NUT, COMPRESSION (1/4``) (S/P)
19	69432-1	NUT, BRASS (1/4``) (S/P)
20	627985	THERMOSTAT
20	95093-1	CEMENT, ALUMILASTIC (4 OZ.) (S/P)
21	69431-1	SLEEVE, BRASS (S/P)