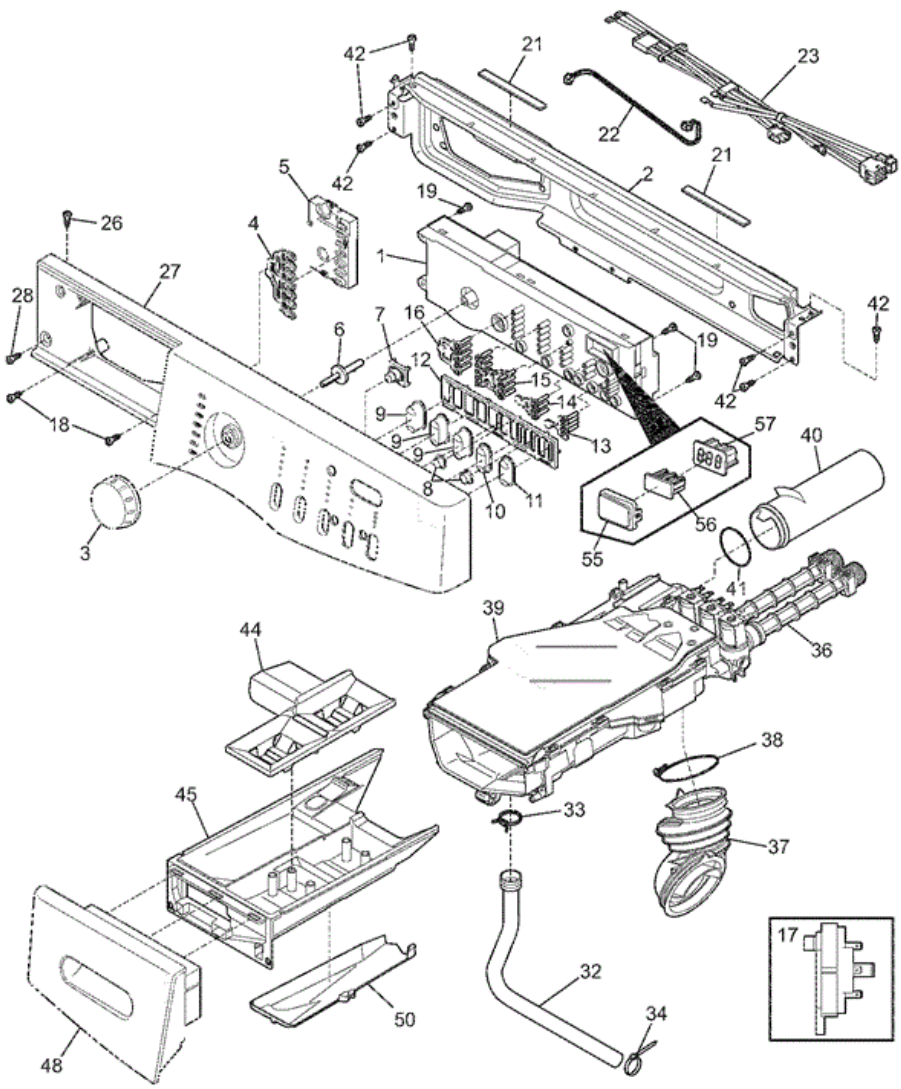


**ATF6000FS0 TABLERO**





## ATF6000FS0 TABLERO

2	134364800	BRACKET, TOP FRONT
3	134551200	KNOB, PROGRAM
4	134553100	LIGHT PIPE, PROGRAM
6	134347700	PIN, PROGRAM KNOB
7	134555600	PUSH BUTTON, ROUND ,NO.2
8	134555500	PUSH BUTTON, ROUND ,NO.1
9	134553400	PUSH BUTTON, OVAL ,NO.1
10	134555400	PUSH BUTTON, OVAL ,NO.2 (SOIL)
11	134595600	PUSH BUTTON, OVAL ,START
12	134553300	SPRING, PUSH BUTTON
13	134557500	LIGHT PIPE, START GROUP
14	134557400	LIGHT PIPE, ROW OF 3
15	134552800	LIGHT PIPE, 5 X 4
16	134600000	LIGHT PIPE, ROW OF 5
18	131302800	SCREW, 10-16AB X 0.375
19	134402900	SCREW, PHILLIPS ,6-19 X 0.650
21	134407900	DAMPENER, VIBRATION
26	131205100	SCREW, NO.8 PAN HEAD ,10-10B X 0.500 ,CR/SQ DRIVE
27	134593300	PANEL, CONTROL CONSOLE
28	131205300	SCREW, 10-16 X 0.750
32	134586500	HOSE, DISP-TO-BELLOWS
33	131306216	CLAMP
34	5303321209	CABLE TIE, 5.60 INCH
37	134372300	HOSE, DISP-TO-TUB
38	134372400	CLAMP, TUB HOSE
39	134446120	HOUSING, DISPENSER ,W/VALVE, COVER
40	134372100	TUBE, DISP-TO-OVERFLO
41	134372200	O-RING, OVERFLOW TUBE
42	131168200	SCREW, PAN HEAD ,8-18B X 0.31
44	134370200	COVER, DISPENSER
45	134370000	DRAWER, DISPENSER
48	134556700	HANDLE/DRAWER ASSY
50	134370100	CONVEYOR, DISPENSER ,LOWER

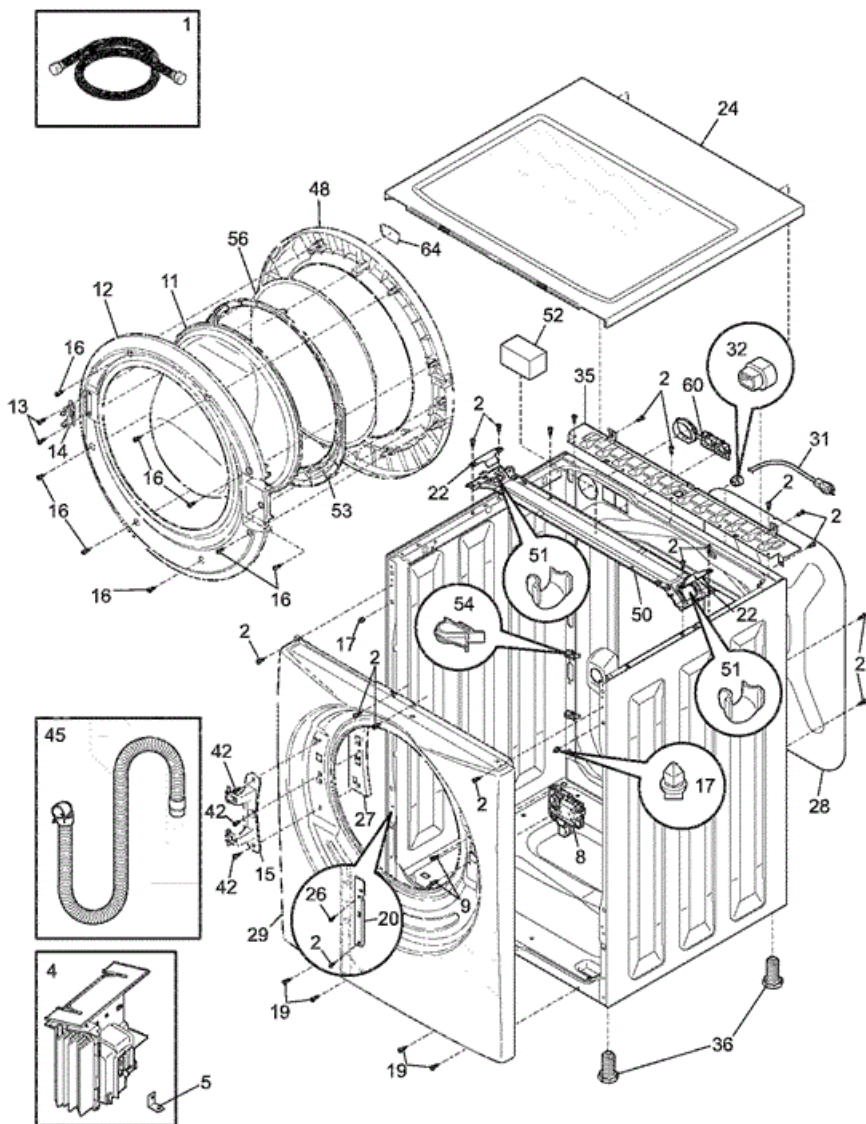
55	134553200	LENS,DIGITAL DISPLAY
56	134557300	LIGHT PIPE,DIGITAL DISPLAY
F1	134855506	CONTROL BOARD,PC ,WITH HOUSING
F17	134407800	SWITCH,PRESSURE ,ANALOG
F22	134602100	WIRING HARNESS,INTERFACE BOARD
F23	134436600	WIRING HARNESS,CONTROLS
F36	134371220	VALVE,DISPENSER ,NTC/SHORT TUBE
F5	134556500	INTERFACE BOARD,PC ,AUXILIARY
F57	134503300	DISPLAY,DIGITAL
NI	131311900	SCREW,QUADREX PH ,8-18AB X 0.500
NI	134371300	GASKET,DISP-TO-VALVE
NI	134743400	WIRING HARNESS,MAIN

Distribuidor Autorizado

SurteRápido.com

Venta de Refacciones  
Electrodomesticas

## ATF6000FS0 GABINETE





## ATF6000FS0 GABINETE

1	131454100	HOSE,WATER INLET ,4 FT. ,HOSE & WASHER
2	131168200	SCREW,PAN HEAD ,8-18B X 0.31
5	134522900	BRACKET,ANGLE ,MOTOR CONTROL
9	131303300	SCREW,PAN HEAD ,10-16AB X 0.500 ,LOCKING
11	134366400	PANEL,DOOR GLASS
12	134550700	FRAME,INNER DOOR ,WHITE
13	131302901	SCREW,10-16 X 0.750
14	134456600	STRIKER,DOOR/LOCK ,WHITE
15	134550800	HINGE,DOOR ,WITH BUSHINGS
16	131205300	SCREW,10-16 X 0.750
17	134408700	CLIP,ASSEMBLY
19	131258400	SCREW,10-16AB X 0.500
20	134434901	BRACKET,LS PANEL ,REINFORCEMENT
22	134364700	RETAINER,SPRING STEEL
24	134365000	PANEL,WORK TOP ,WHITE
26	134521600	SCREW,HEX WASHER HEAD ,M5 0.8 X 15
27	134550900	BRACKET,HINGE ,REINFORCEMENT
28	134364300	PANEL,SERVICE ACCESS ,REAR
29	134550110	PANEL,CABINET FRONT ,WHITE
32	5303209428	BUSHING,POWER CORD
35	134365100	BRACKET,TOP SUPPORT ,REAR
36	134548800	LEVELING LEG,SCREW ,PLASTIC
42	134601900	SCREW,FLAT HEAD ,M5 X .8 X 17.5
48	134601500	PANEL,OUTER DOOR ,WHITE
50	134364600	BRACKET,TUB SUSPENSION
51	134562100	PROTECTOR,TUB BRKT ,SPRING HOOK ,(2)
52	131931202	DAMPENER,VIBRATION ,FOAM
53	134551300	RING,DOOR TRANSITION
54	134364900	FASTENER,WIRE HARN CLIP
56	134550600	GLASS,OUTER DOOR LENS
60	134372000	GROMMET,DISPENSER ,BACK PANEL
64	134601600	NAMEPLATE,AFFINITY
F31	134501000	POWER CORD,ELECTRIC SVCE

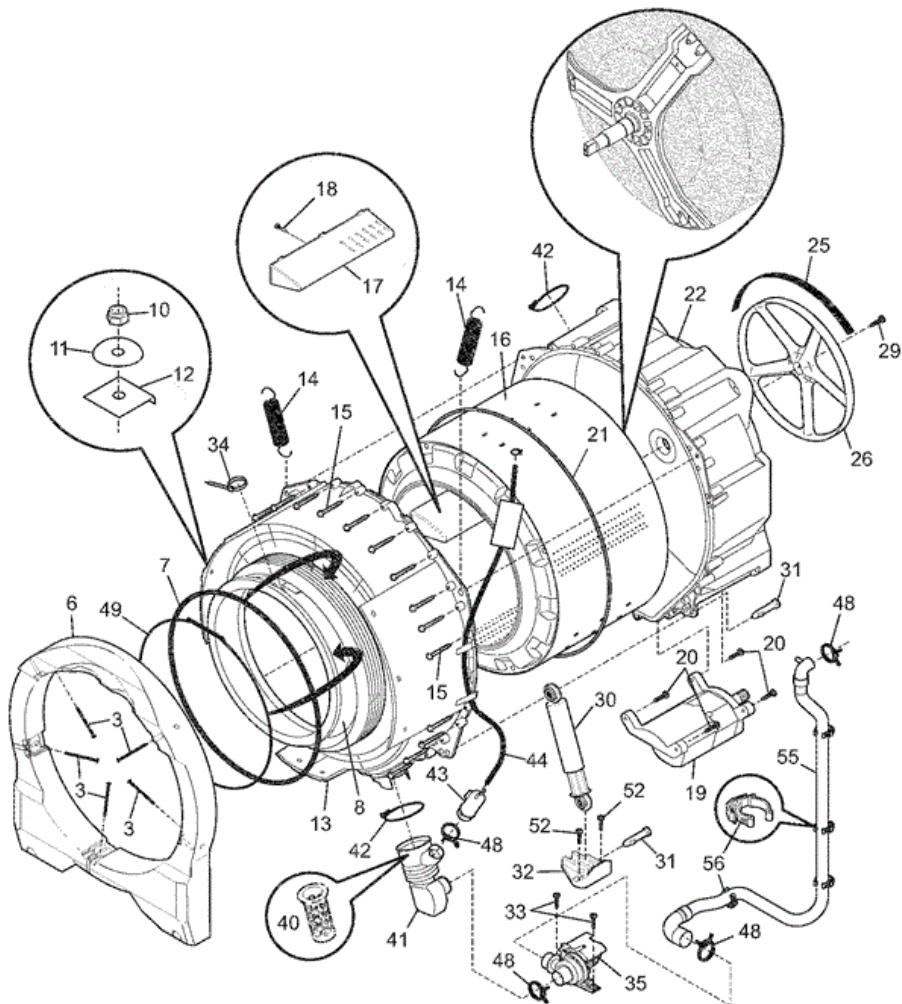
F4	134409904	CONTROL BOARD,MOTOR
F45	134369400	HOSE,DRAIN ,EXTERNAL
F8	131763245	DOOR LOCK/SWITCH ASSY
NI	134178901	SCREW,8-18AB X 0.455
NI	134434900	BRACKET,RS PANEL ,REINFORCEMENT
NI	134547600	WIRING HARNESS,MOTOR CONTROL
NI	134591500	PLUG ASSY,SHIPPING HOLES ,BACK
NI	134596200	SHIPPING SUPPORT KIT
NI	134606800	WIRING HARNESS,DOOR SWITCH

Distribuidor Autorizado

SurteRápido.com

Venta de Refacciones  
Electrodomesticas

ATF6000FS0 TINA





## ATF6000FS0 TINA

3	131793303	BOLT,CARRIAGE ,1/4-20 X 2.60
6	134362200	COUNTERWEIGHT,FRONT ,ONE PIECE
7	134365300	SPRING,BELLOWS CLAMP ,RETAINER
10	131304700	NUT,HEX ,1/4-20 UNC-2B ,(2)
11	131276900	WASHER,BELLVILLE ,SPRING STEEL
12	134430600	PLATE,COUNTERWEIGHT
13	134362000	SHELL,TUB ,FRONT
15	134408300	SCREW,HEX HEAD ,6.5 X 51 MM
16	134360910	DRUM ASSY,SPIN BASKET
17	134509600	VANE KIT,DRUM
18	131302800	SCREW,10-16AB X 0.375
20	131303500	SCREW,12-14AB X 1.50 ,MOTOR MTG.
21	134361900	O-RING,TUB
22	134509510	SHELL,OUTER TUB ,REAR ,W/BEARING,SEAL
29	134408400	SCREW,10.9 CLASS ,M10 X 25 MM
30	134560400	SHOCK ABSORBER,DUAL STAGE
31	131268300	PIN,SHOCK MTG.
32	134363200	BRACKET,SHOCK MTG.
33	134160900	SCREW,WASHER HD ,10-16AB X 0.75
34	5303321209	CABLE TIE,5.60 INCH
40	134565200	FILTER,PUMP
41	134455900	HOSE,COIN TRAP ,TUB-TO-PUMP
42	134737300	CLAMP,HOSE
43	134369000	CHAMBER,AIR
44	134369900	HOSE,AIR PRESSURE
48	131306234	CLAMP,HOSE ,WIRE
49	134527100	CLAMP,BELLOWS ,SPRING HELD
52	131202300	SCREW,10-16AB X 0.625
56	134369800	FASTENER,HOSE CLIP ,(3)
F14	134362800	SPRING ASSY,SUSPENSION
F19	134362500	MOTOR,120 V
F25	134051001	BELT,DRIVE ,POLY-V ,6-RIB
F26	134362600	PULLEY,DRUM DRIVE ,LARGE ,REAR



F35	134051200	PUMP,DRAIN
F55	134679000	HOSE,INTERNAL DRAIN
F8	134515300	BELLOWS KIT,BOOT ,NO LIGHT HOLE
NI	134261300	CLIP,DRAIN HOSE ,PUSH-MOUNT
NI	134816700	ENERGY GUIDE