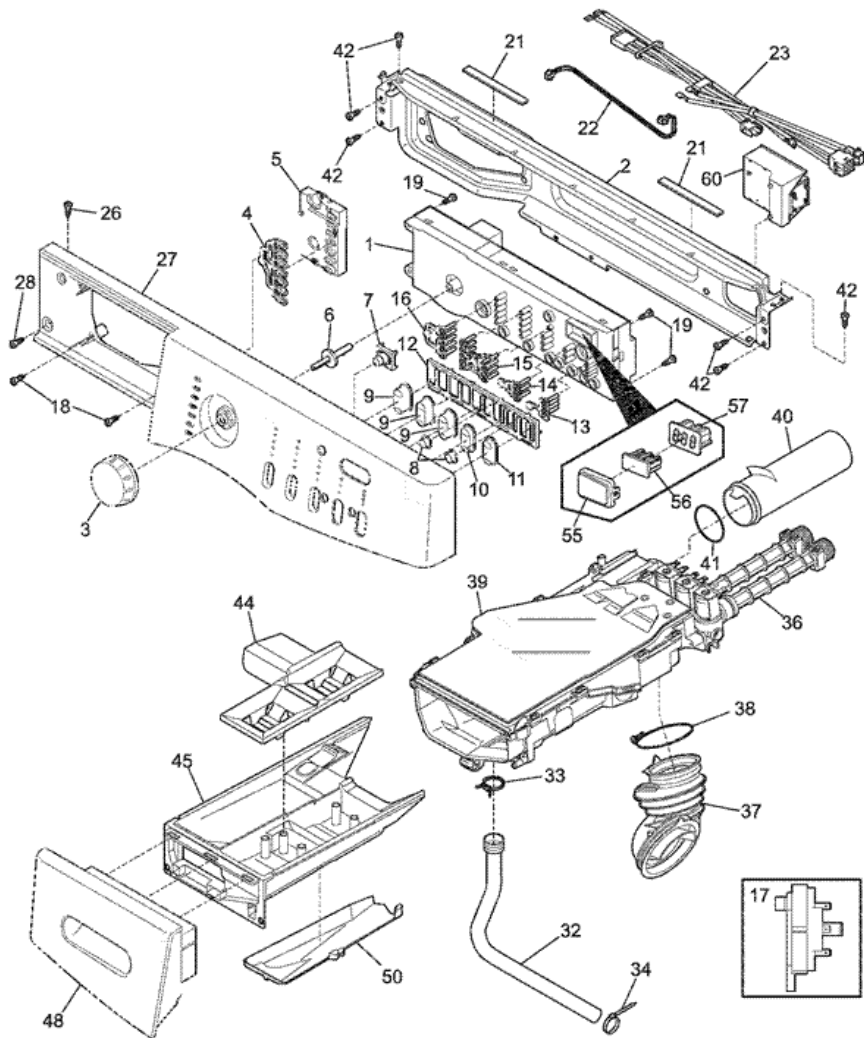


Distribuidor Autorizado

SurteRápido.com

Venta de Refacciones
Electrodomesticas

ATF8000FG1 TABLERO





ATF8000FG1 TABLERO

2	134364800	BRACKET, TOP FRONT
3	134551225	KNOB, PROGRAM , CHROME
4	134553100	LIGHT PIPE, PROGRAM
6	134347700	PIN, PROGRAM KNOB
7	134890400	PUSH BUTTON, ROUND , NO.2
8	134555525	PUSH BUTTON, ROUND , NO.1
9	134553425	PUSH BUTTON, OVAL , NO.1
10	134555440	PUSH BUTTON, OVAL , NO.2 (SOIL)
11	134864400	PUSH BUTTON, OVAL , START
12	134884900	SPRING, PUSH BUTTON
13	134557500	LIGHT PIPE, START GROUP
14	134557400	LIGHT PIPE, ROW OF 3
15	134552800	LIGHT PIPE, 5 X 4
16	134600000	LIGHT PIPE, ROW OF 5
18	131302800	SCREW, 10-16AB X 0.375
19	134402900	SCREW, PHILLIPS , 6-19 X 0.650
21	134407900	DAMPENER, VIBRATION
26	131205100	SCREW, NO.8 PAN HEAD , 10-10B X 0.500 , CR/SQ DRIVE
27	134556420	PANEL, CONTROL CONSOLE , BLUE
28	131205300	SCREW, 10-16 X 0.750
32	134586500	HOSE, DISP-TO-BELLOWS
33	131306216	CLAMP
34	5303321209	CABLE TIE, 5.60 INCH
37	134372300	HOSE, DISP-TO-TUB
38	134372400	CLAMP, TUB HOSE
39	134446120	HOUSING, DISPENSER , W/VALVE, COVER
40	134372100	TUBE, DISP-TO-OVERFLO
41	134372200	O-RING, OVERFLOW TUBE
42	131168200	SCREW, PAN HEAD , 8-18B X 0.31
44	134370200	COVER, DISPENSER
45	134370000	DRAWER, DISPENSER
48	134556720	HANDLE/DRAWER ASSY, BLUE
50	134370100	CONVEYOR, DISPENSER , LOWER

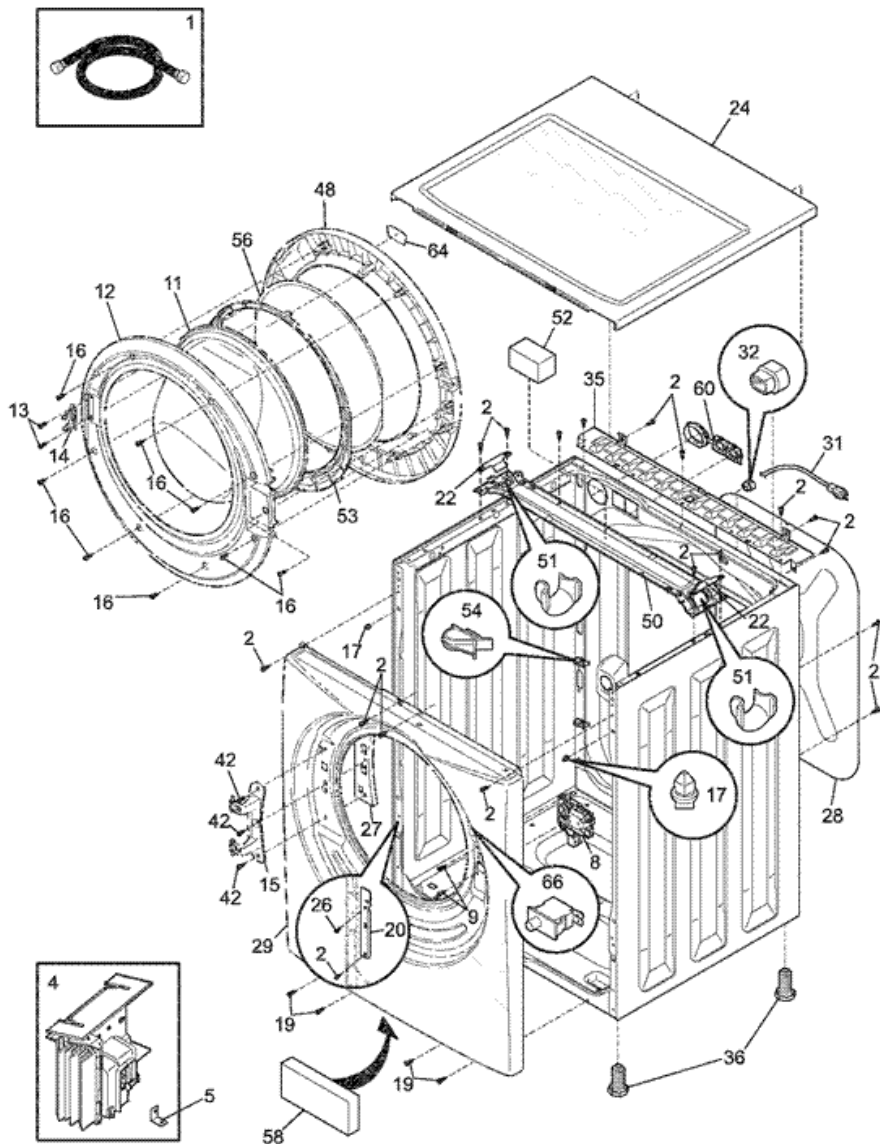
55	134553200	LENS,DIGITAL DISPLAY
56	134557300	LIGHT PIPE,DIGITAL DISPLAY
F1	134855600	CONTROL BOARD,PC ,WITH HOUSING
F17	134762000	SWITCH,PRESSURE
F22	134602100	WIRING HARNESS,INTERFACE BOARD
F23	134739500	WIRING HARNESS,CONTROLS
F36	134371220	VALVE,DISPENSER ,NTC/SHORT TUBE
F5	134556500	INTERFACE BOARD,PC ,AUXILIARY
F57	134503300	DISPLAY,DIGITAL
F60	134558200	CONTROL,HEATER ,W/TRANSFORMER
NI	131311900	SCREW,QUADREX PH ,8-18AB X 0.500
NI	134178901	SCREW,8-18AB X 0.455
NI	134371300	GASKET,DISP-TO-VALVE
NI	134887800	WIRING HARNESS,MAIN

Distribuidor Autorizado

SurteRápido.com

Venta de Refacciones
Electrodomesticas

ATF8000FG1 GABINETE





ATF8000FG1 GABINETE

1	131454100	HOSE,WATER INLET ,4 FT. ,HOSE & WASHER
2	131168200	SCREW,PAN HEAD ,8-18B X 0.31
5	134522900	BRACKET,ANGLE ,MOTOR CONTROL
9	131303300	SCREW,PAN HEAD ,10-16AB X 0.500 ,LOCKING
11	134366400	PANEL,DOOR GLASS
12	134550740	FRAME,INNER DOOR
13	131302901	SCREW,10-16 X 0.750
14	134456640	STRIKER,DOOR/LOCK
15	134550800	HINGE,DOOR ,WITH BUSHINGS
16	131205300	SCREW,10-16 X 0.750
17	134408700	CLIP,ASSEMBLY
19	131258400	SCREW,10-16AB X 0.500
20	134434901	BRACKET,LS PANEL ,REINFORCEMENT
22	134364700	RETAINER,SPRING STEEL
24	134365030	PANEL,WORK TOP ,BLUE
26	134521600	SCREW,HEX WASHER HEAD ,M5 0.8 X 15
27	134550900	BRACKET,HINGE ,REINFORCEMENT
28	134364300	PANEL,SERVICE ACCESS ,REAR
29	134550130	PANEL,CABINET FRONT ,BLUE
32	5303209428	BUSHING,POWER CORD
35	134365100	BRACKET,TOP SUPPORT ,REAR
36	134548800	LEVELING LEG,SCREW ,PLASTIC
42	134601900	SCREW,FLAT HEAD ,M5 X .8 X 17.5
48	134601560	PANEL,OUTER DOOR ,CHROME
50	134364600	BRACKET,TUB SUSPENSION
51	134562100	PROTECTOR,TUB BRKT ,SPRING HOOK ,(2)
52	131931202	DAMPENER,VIBRATION ,FOAM
53	134551300	RING,DOOR TRANSITION
54	134364900	FASTENER,WIRE HARN CLIP
56	134550600	GLASS,OUTER DOOR LENS
58	131800405	INSULATION,NOISE ABSORBER
60	134372000	GROMMET,DISPENSER ,BACK PANEL
64	134601625	NAMEPLATE,AFFINITY ,CHROME

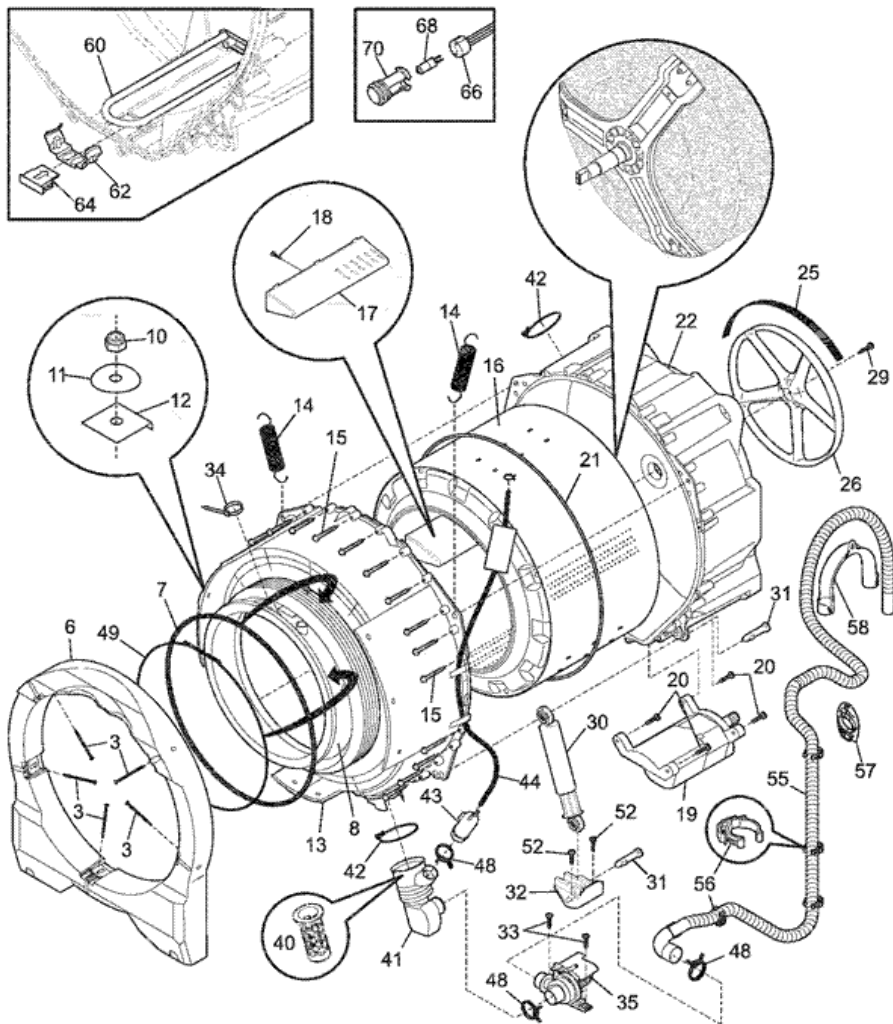
66	131843146	SWITCH,DOOR ,WITH DRUM LIGHT
F31	134501000	POWER CORD,ELECTRIC SVCE
F4	134409904	CONTROL BOARD,MOTOR
F8	131763245	DOOR LOCK/SWITCH ASSY
NI	131311900	SCREW,QUADREX PH ,8-18AB X 0.500
NI	134178901	SCREW,8-18AB X 0.455
NI	134434900	BRACKET,RS PANEL ,REINFORCEMENT
NI	134547600	WIRING HARNESS,MOTOR CONTROL
NI	134591500	PLUG ASSY,SHIPPING HOLES ,BACK
NI	134596200	SHIPPING SUPPORT KIT
NI	134603100	WIRING HARNESS,DOOR SWITCH
NI	134889700	CLIP, HOSE,DRAIN ,REAR-PANEL

Distribuidor Autorizado

SurteRápido.com

Venta de Refacciones
Electrodomesticas

ATF8000FG1 MOTOR





ATF8000FG1 MOTOR

3	131793303	BOLT,CARRIAGE ,1/4-20 X 2.60
6	134362200	COUNTERWEIGHT,FRONT ,ONE PIECE
7	134365300	SPRING,BELLOWS CLAMP ,RETAINER
10	131304700	NUT,HEX ,1/4-20 UNC-2B ,(2)
11	131276900	WASHER,BELLVILLE ,SPRING STEEL
12	134430600	PLATE,COUNTERWEIGHT
13	134362000	SHELL,TUB ,FRONT
15	134408300	SCREW,HEX HEAD ,6.5 X 51 MM
16	134360910	DRUM ASSY,SPIN BASKET
17	134509600	VANE KIT,DRUM
18	131302800	SCREW,10-16AB X 0.375
20	131303500	SCREW,12-14AB X 1.50 ,MOTOR MTG.
21	134361900	O-RING,TUB
22	134721310	SHELL,TUB ,REAR ,W/BEARING,SEAL
29	134408400	SCREW,10.9 CLASS ,M10 X 25 MM
30	134560400	SHOCK ABSORBER,DUAL STAGE
31	131268300	PIN,SHOCK MTG.
32	134363200	BRACKET,SHOCK MTG.
33	134160900	SCREW,WASHER HD ,10-16AB X 0.75
34	5303321209	CABLE TIE,5.60 INCH
40	134885800	FILTER,PUMP
41	134455900	HOSE,COIN TRAP ,TUB-TO-PUMP
42	134737300	CLAMP,HOSE
43	134369000	CHAMBER,AIR
44	134369900	HOSE,AIR PRESSURE
48	131306234	CLAMP,HOSE ,WIRE
49	134527100	CLAMP,BELLOWS ,SPRING HELD
52	131202300	SCREW,10-16AB X 0.625
56	134369800	FASTENER,HOSE CLIP ,(3)
57	134641100	BRACKET,DRAIN HOSE MTG ,REAR
58	134440700	HANGER,DRAIN HOSE
62	134558000	BRACKET,HEATING ELEMENT
64	134558100	STOP,DETENTE ,HEATING ELEMENT

66	134602000	RECEPTACLE,LAMP ,DOOR LIGHT
68	134554600	LAMP,G4 LIGHT BULB ,5 W ,12 V
70	134551600	DIFFUSER,LAMP ,DOOR LIGHT
F14	134362800	SPRING ASSY,SUSPENSION
F19	134362500	MOTOR,120 V
F25	134051003	BELT,DRIVE ,6-RIB
F26	134362600	PULLEY,DRUM DRIVE ,LARGE ,REAR
F35	134051200	PUMP,DRAIN
F55	134889600	HOSE,DRAIN-ONE PIECE
F60	134552300	ELEMENT,HEATING ,1000 W
F8	134739800	BELLOWS KIT,BOOT ,W/LIGHT HOLE
NI	134261300	CLIP,DRAIN HOSE ,PUSH-MOUNT
NI	134884800	ENERGY GUIDE