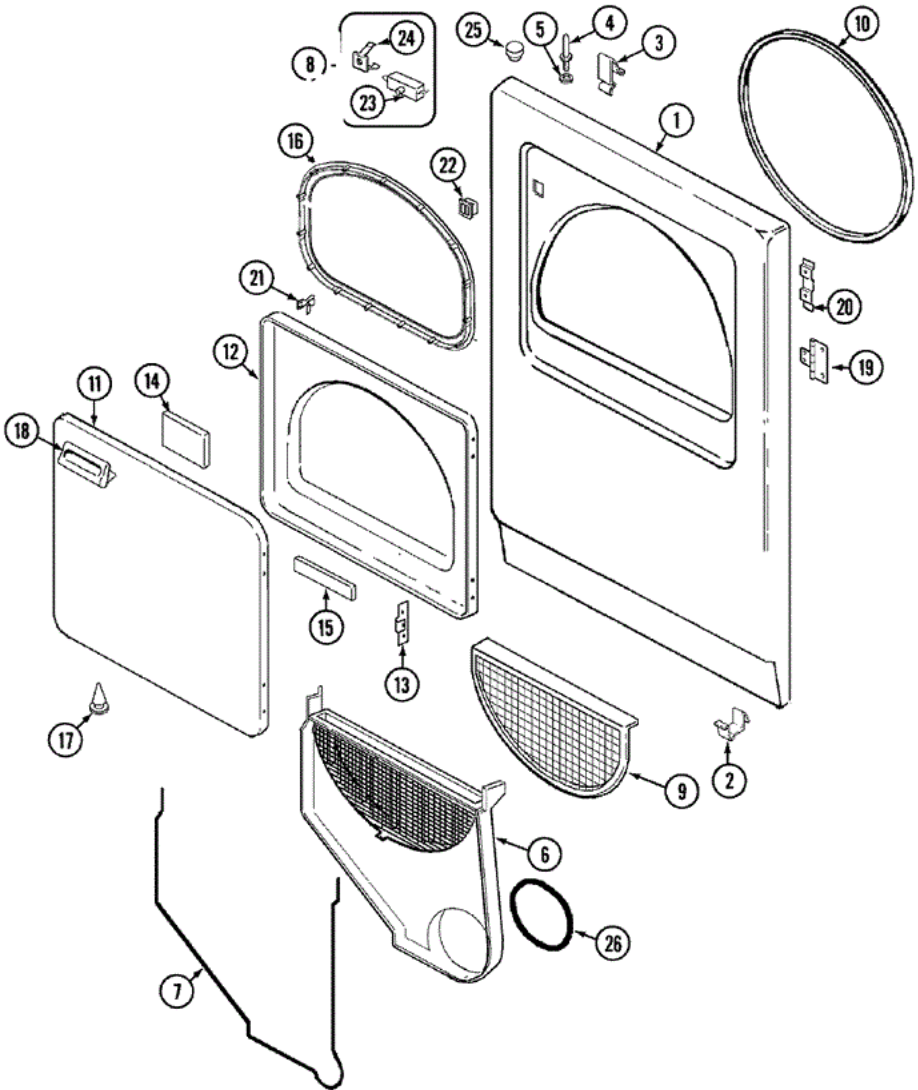


**AYG1200AWA PUERTA**

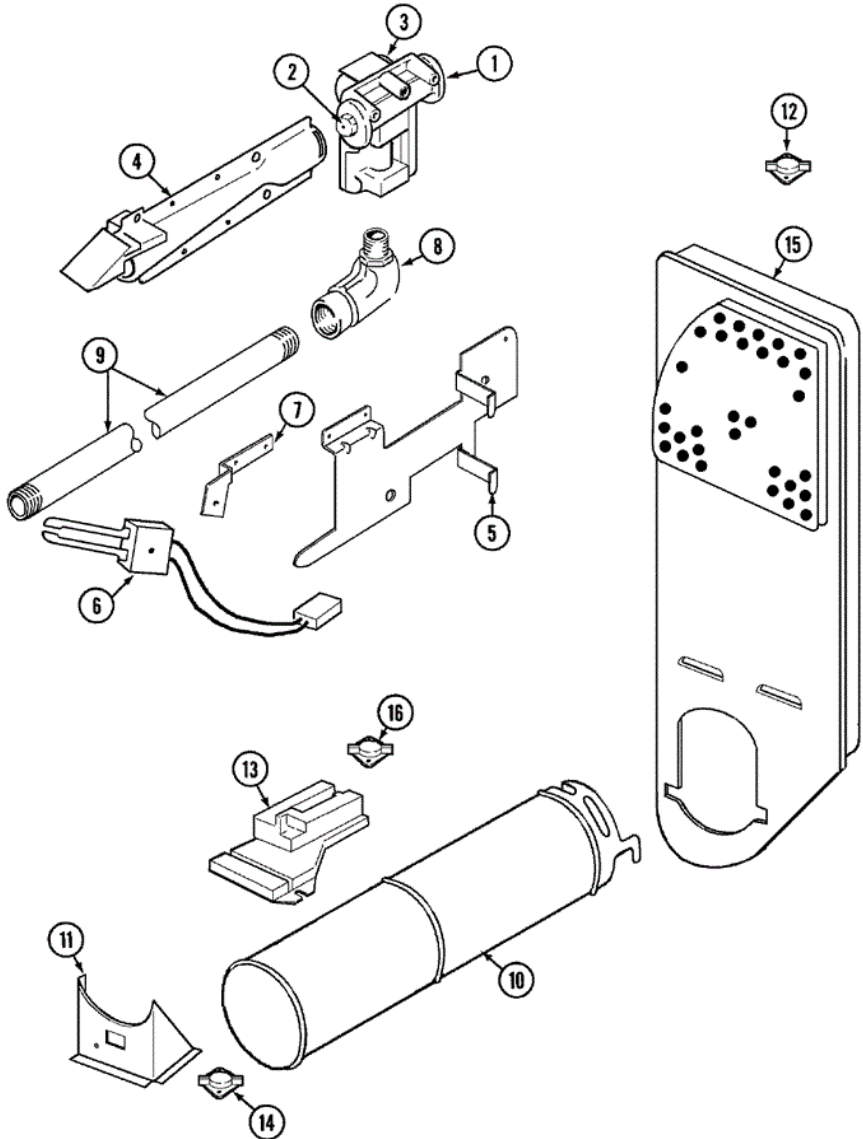




## AYG1200AWA PUERTA

1	12001210	10	KIT, FRONT PANEL (ALM)
2	53-0120	10	CLIP, FRONT PANEL
3	25-7220	10	CLIP, CABINET TOP
4	53-0643	10	PIN, LOCATOR
5	25-0224	10	NUT, LOCATOR PIN
5	53-0200	10	SLEEVE, LOCATOR PIN
6	12001324	10	DUCT KIT, COLLECTOR
6	25-7810	10	SCREW 8-18X1/2 TRUSS H
7	53-0204	10	SEAL
8	LA-1005	10	SWITCH KIT (INCL. 23 & 24)
9	53-0918	10	FILTER, LINT
10	53-0281	10	SEAL ASSY (WHITE)
11	25-7770	10	SCREW, OUTER TO INNER DOOR
11	53-0154-24	10	PANEL, OUTER DOOR (ALM)
12	53-0912-24	10	PANEL, INNER DOOR (ALM)
13	53-0119	10	CLIP, HINGE
14	53-1490	10	DOOR PAD
15	53-1491	10	DOOR PAD
16	53-0648	10	DOOR SEAL
17	25-7889	10	PLUG BUTTON
18	25-7810	10	SCREW 8-18X1/2 TRUSS H
18	31001115	10	HANDLE, DOOR (ALM)
19	25-7809	10	SCREW, NO.6-20 1/2 FLTHD TORX
19	53-1492	10	HINGE, DRYER DOOR
20	53-0121	10	TWIN NUT
21	53-2364	10	STRIKE, DOOR
21	LA-1003	10	DOOR CATCH KIT (INCL. 21 & 22)
22	53-0187	10	CATCH, DOOR
23	53-0147	10	SWITCH, DOOR
24	63-5990	10	CLIP, SWITCH
25	33-2653	10	BUMPER, CABINET
26	53-0203	10	SEAL, BLOWER HOUSING

**AYG1200AWA QUEMADOR**





## AYG1200AWA QUEMADOR

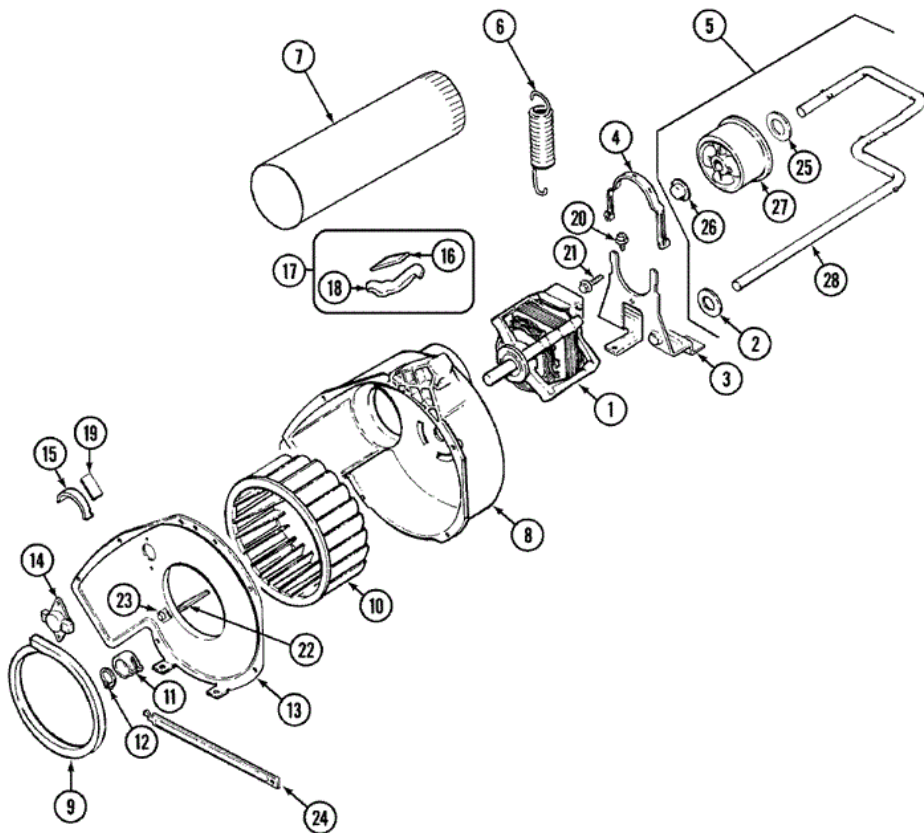
1	31001368	10	TAIL PIECE
1	31001485	10	VALVE, GAS (WITH ORIFICE)
1	60-6846	10	UNION NUT
2	63-3570	10	BURNER ORIFICE
3	63-6614	10	SECONDARY COIL
3	63-6615	10	DUAL COIL
4	63-6682	10	BURNER ASM
5	25-3034	10	CLIP, WIRING
5	25-7741	10	SCREW
5	53-0140	10	MTG BRACKET
6	25-7744	10	SCREW
6	53-0689	10	IGNITER
7	25-2134	10	SCREW
7	53-0686	10	BRACKET
8	33001842	10	CONNECTOR, ANGLE
9	53-2362	10	MAIN GAS LINE ASSY
10	25-7741	10	SCREW
10	53-1884	10	HOUSING, HEATER
11	25-3092	10	SCREW
11	53-2363	10	SUPPORT, HEATER HOUSING
12	25-0168	10	SCREW
12	53-1096	10	THERMOSTAT, HI-LIMIT
13	25-2134	10	SCREW
13	63-5013	10	SENSOR
14	25-0168	10	SCREW
14	LA-1053	10	FUSE KIT, THERMAL
15	25-7741	10	SCREW
15	53-1706	10	INLET AIR DUCT ASSY
16	53-1096	10	THERMOSTAT, HI-LIMIT
17	63-6766	10	CONVERSION KIT (NAT-LP)
NI	12001031	10	CONVERSION KIT (LP-NAT)

Distribuidor Autorizado

**SurteRápido.com**

Venta de Refacciones  
Electrodomesticas

## AYG1200AWA MOTOR

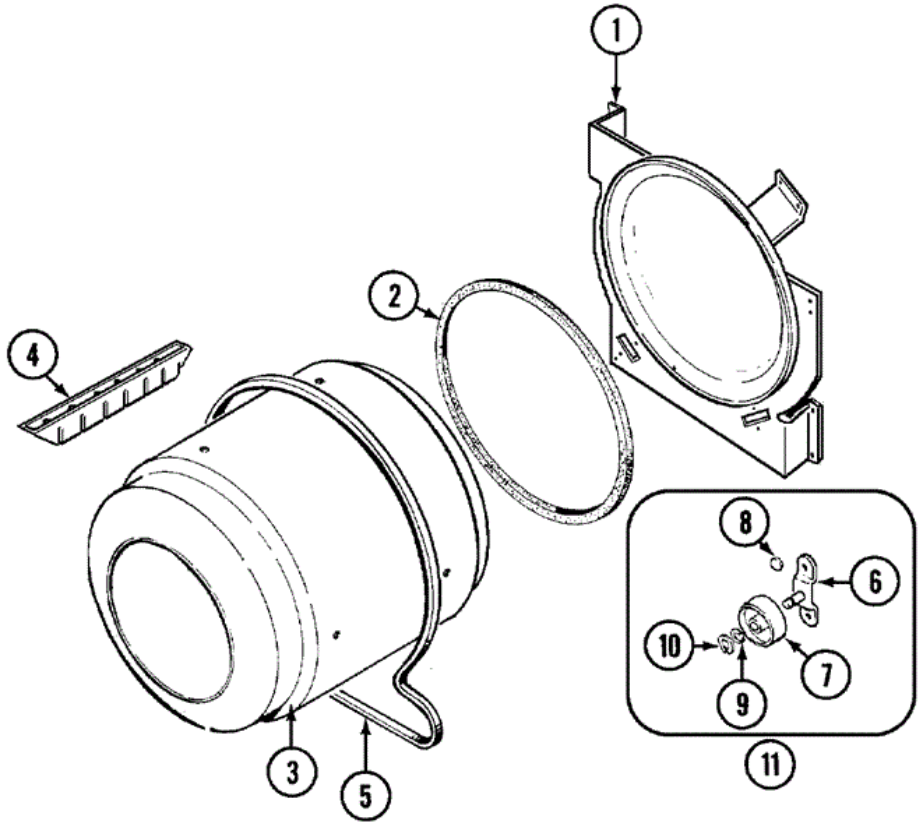




## AYG1200AWA MOTOR

1	31001316	10	MOTOR (115V 60HZ)
1	53-0932	10	PULLEY, DRYER MOTOR (60HZ)
2	25-7815	10	WASHER
3	25-7732	10	SCREW
3	53-1932	10	MOTOR MTG. BRKT.
4	53-0214	10	CLAMP, MOTOR
5	53-2287	10	IDLER ASSY.
6	53-2209	10	SPRING, IDLER
7	25-2134	10	SCREW
7	53-0134	10	DUCT, EXHAUST
8	53-1801	10	HOUSING, BLOWER
9	53-0203	10	SEAL, BLOWER HOUSING
10	31001317	10	WHEEL, BLOWER (DEEPPD)
11	25-7823	10	CLAMP
12	25-7855	10	RING, RETAINING
13	25-7435	10	SCREW
13	53-1934	10	COVER, BLOWER HOUSING
14	25-2134	10	SCREW
14	53-1107	10	THERMOSTAT, CONTROL (146/121)
15	53-2273	10	GLIDE, TUMBLER (LT)
16	53-0724	10	RH GLD CUSHION
17	LA-1006	10	GLIDE KIT, TUMBLER
18	53-2272	10	GLIDE, TUMBLER (RT)
19	53-1684	10	CUSHION, TUMBLER GLIDE
20	25-7963	10	SCREW
21	25-7674	10	SCREW
22	53-1026	10	GUIDE, VANE INLET
23	25-3457	10	SCREW, SEMS
24	53-1625	10	BRACE, TUMBLER SUPPORT
25	25-7815	10	WASHER
26	25-7957	10	PUSHNUT
27	53-1628	10	PULLEY, IDLER
28	53-2250	10	ARM, IDLER

**AYG1200AWA TAMBOR**





**AYG1200AWA TAMBOR**

1	25-7733	10	SCREW
1	LA-1054	10	DRYER BULKHEAD KIT
2	53-0281	10	SEAL ASSY (WHITE)
3	53-1250	10	CYLINDER (W/BAFFLE)
4	25-7759	10	SCREW
4	Y02100002	10	BAFFLE (WHT)
5	31531589	10	BELT, CYLINDER
6	25-7101	10	SCREW
6	53-0197	10	SUPPORT ASSY.-CYLINDER REAR
7	31001096	10	ROLLER (REAR)
8	25-7813	10	SPACER
9	25-7814	10	WASHER
10	25-7854	10	RING, RETAINING
11	LA-1008	10	RR ROLLER KIT