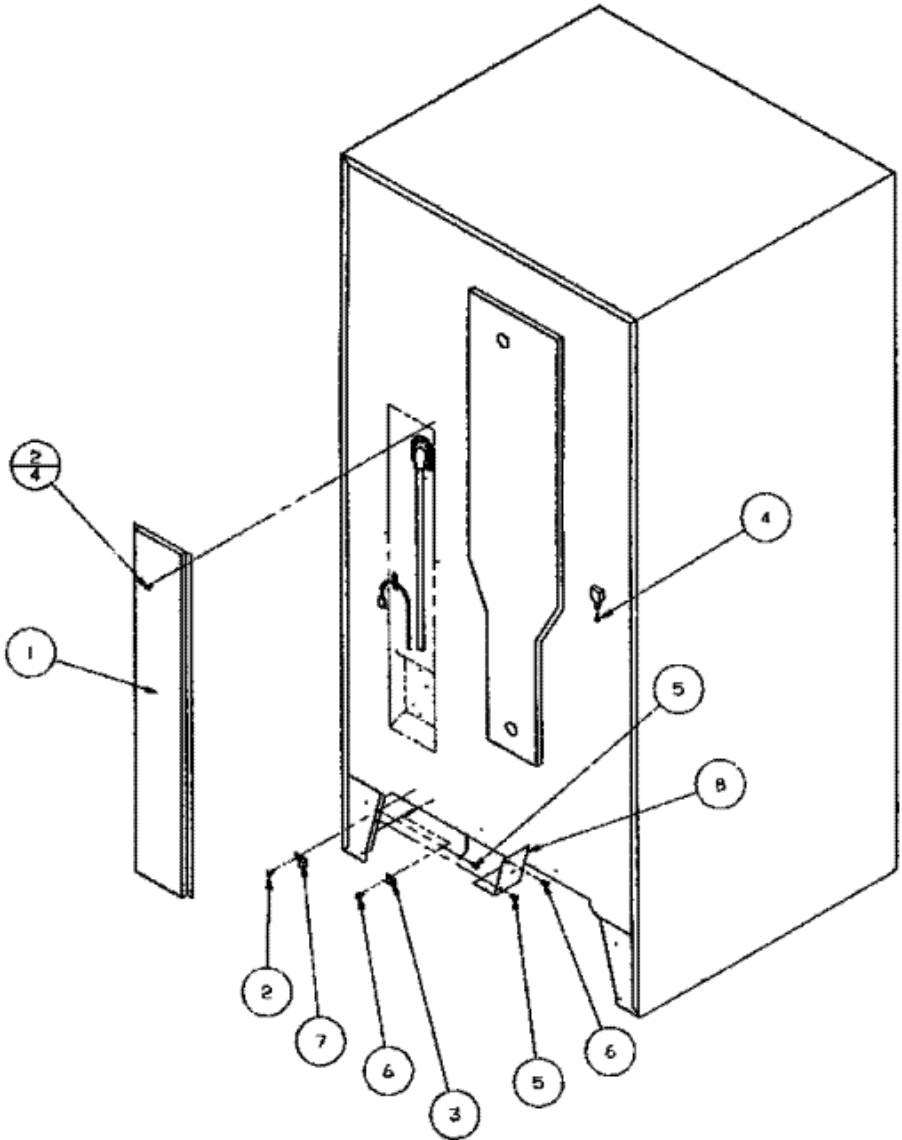


BX20QG CABINET BACK





BX20QG CABINET BACK

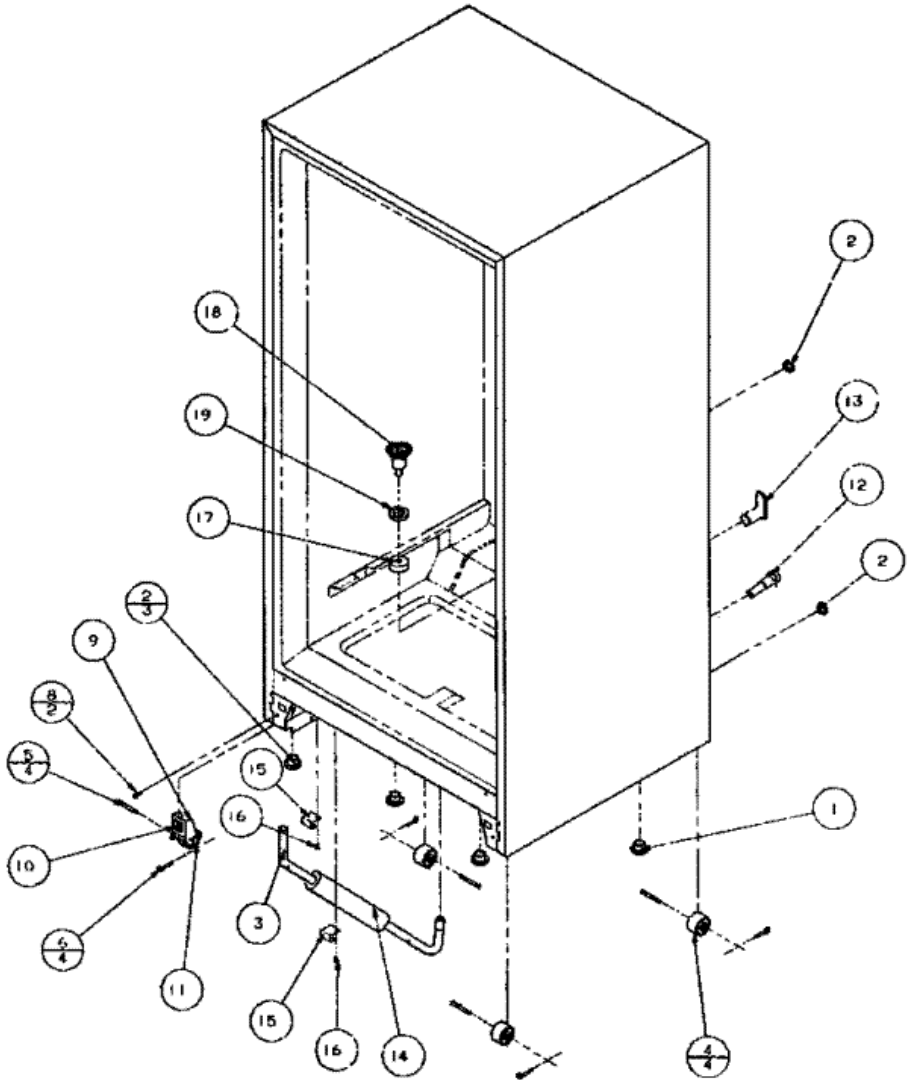
| | | |
|---|----------|----------------------|
| 1 | D7539413 | COVER HT. EXH (S/P) |
| 2 | M0220617 | SCREW (S/P) |
| 3 | M0103901 | CLAMP (S/P) |
| 4 | M0310319 | DESCONTINUADO |
| 5 | M0253916 | SCREW (S/P) |
| 6 | M0219916 | SCREW (S/P) |
| 7 | M0102325 | CLAMP (S/P) |
| 8 | D7663301 | COVER, WIRING (S/P) |

Distribuidor Autorizado

SurteRápido.com

Venta de Refacciones
Electrodomesticas

BX20QG CABINET BOTTOM AND BACK





BX20QG CABINET BOTTOM AND BACK

| | | |
|------|-----------|---------------------------------|
| 1 | A3076901 | PLUG, BUTTON (S/P) |
| 2 | A3080001 | PLUG, BUTTON (BLK) (S/P) |
| 3 | 10388701 | DRAIN TUBE (S/P) |
| 4 | 12580304 | ROLLER (S/P) |
| 5 | M1200202 | DESCONTINUADO |
| 6 | M1200004 | COTTER PIN K (S/P) |
| 8 | M0204339 | SCREW BOLT K (S/P) |
| 9 | 12452602Q | ASSY, ROLLER BRACKET (S/P) |
| 10 | M0286708 | NUT, SPEED (S/P) |
| 11 | M1205302 | RIVET (S/P) |
| 12 | 10277305 | DESCONTINUADO |
| 13 | B5749501 | DESCONTINUADO |
| 14 | 10851302 | TUBING INSULATION BY INCH (S/P) |
| 15 | 10161301 | HOLDER TUBE (S/P) |
| 15 | M0102303 | CLAMP (S/P) |
| 16 | M0220617 | SCREW (S/P) |
| 17 | B8381501 | GASKET, DRAIN TUBE (S/P) |
| 18 | W10178188 | FUNNEL, DRAIN (S/P) |
| 19 | M0500703 | SEAL, O RING (S/P) |
| 9999 | 1245602Q | ASSY, ROLLER BRACKET (S/P) |