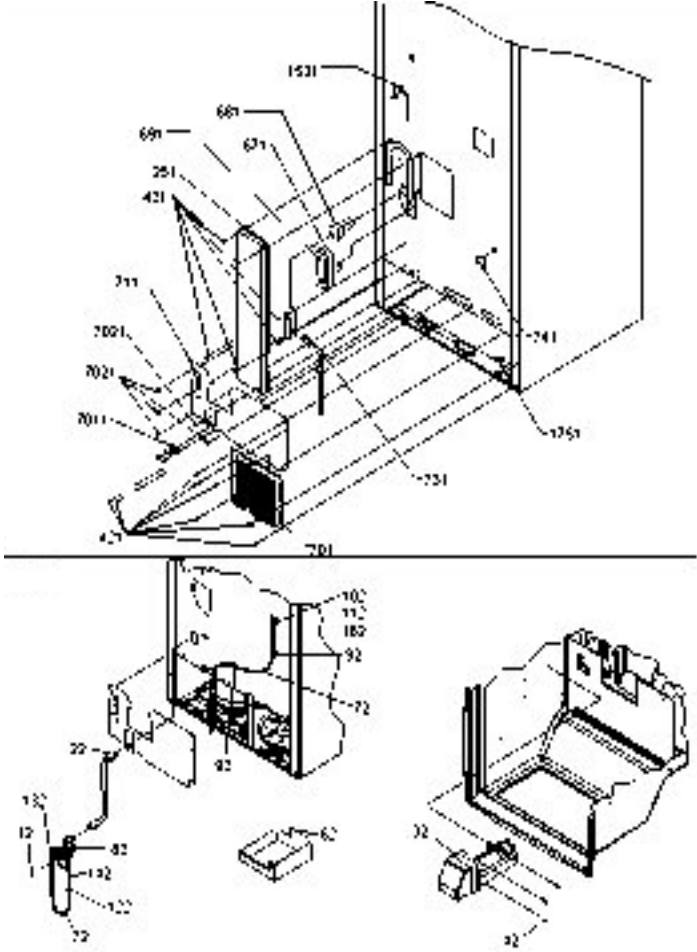


BX21V1W CABINET BACK

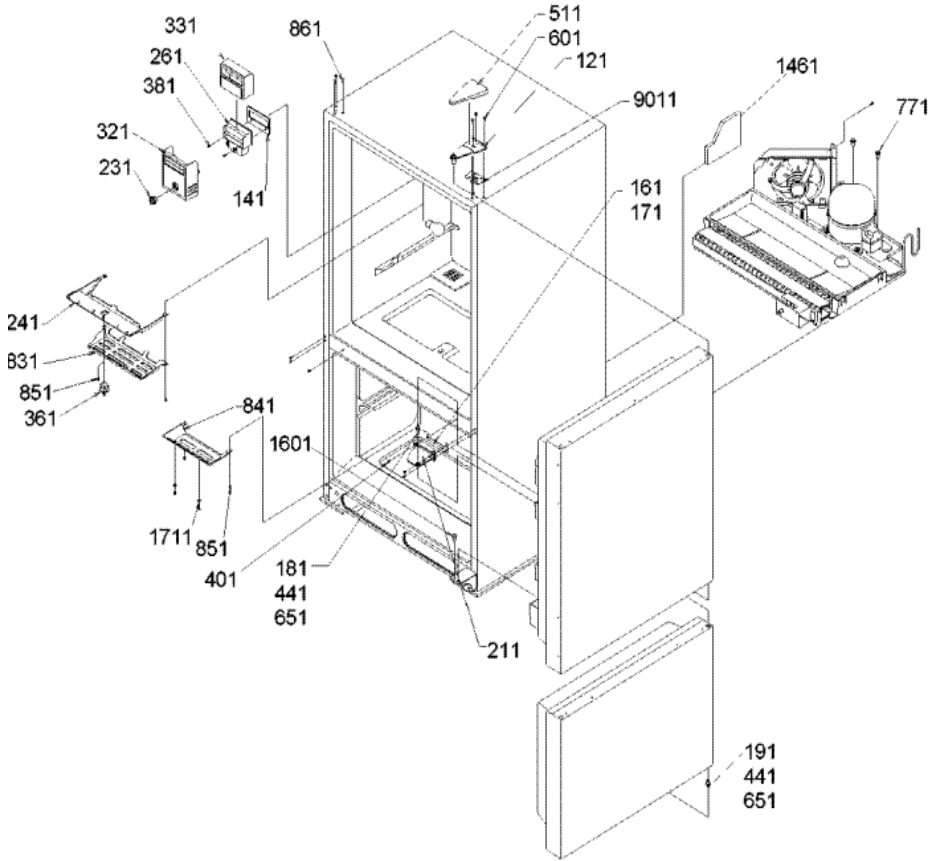




BX21V1W CABINET BACK

251	10502303	COVER, HT EXCH (S/P)
421	M0227217	SCREW, SM (S/P)
671	12583902	HARNESS,CONTROL (S/P)
681	10699301	GROMMET (S/P)
691	10428001	DESCONTINUADO
701	12039807	BACK, MACH COMP (S/P)
711	12041850	COVER, MC (S/P)
731	10916502	CORD, POWER (S/P)
741	10544301	PLUG, IM TUNNEL (S/P)
1531	M0104106	CLIP, CORD (S/P)
1751	B5720303	CLIP (S/P)
7011	12047201	DESCONTINUADO
7021	M0219704	SCREW (S/P)

BX21V1W CONTROLS & LIGHT COVERS

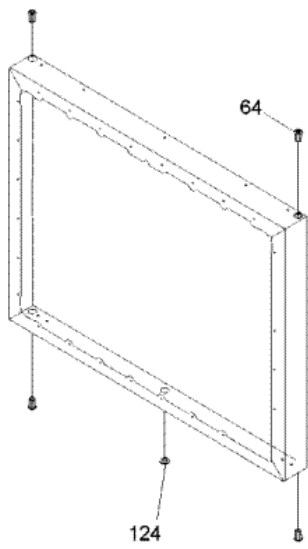
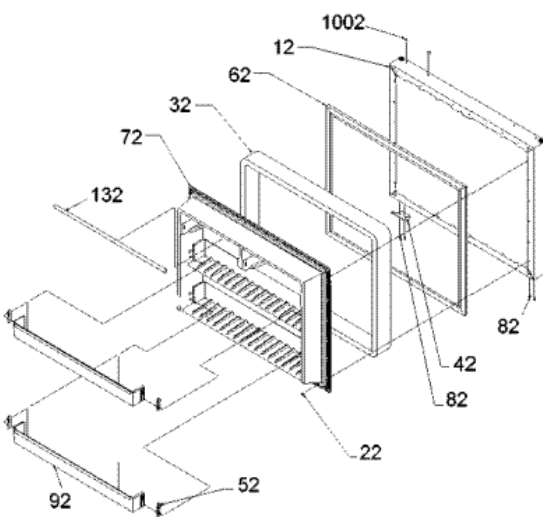
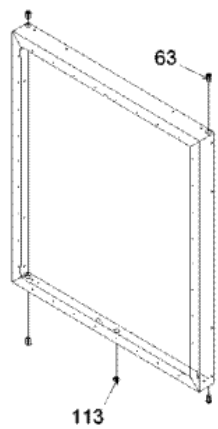
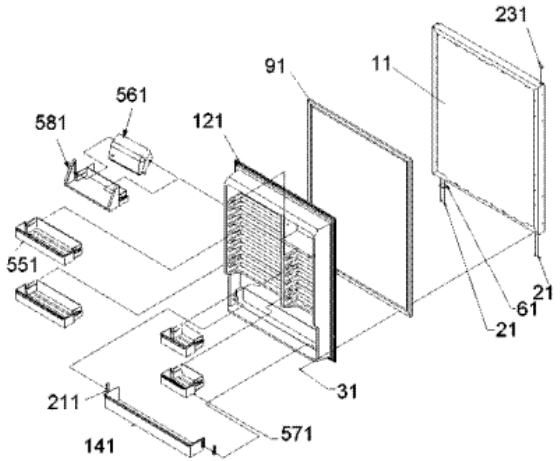




BX21V1W CONTROLS & LIGHT COVERS

121	12077316	HINGE, TOP-E CT (S/P)
141	B8345401	GASKET, DAMPER (S/P)
161	10562211	SHIM, CENTER HINGE (S/P)
171	10562203	SHIM, CENTER HINGE (S/P)
181	67066744	PIN, HINGE (CTR) (S/P)
191	67007018	PIN, HINGE (BTM) (S/P)
211	12446513	HINGE,CTR-E CT(WHITE) (S/P)
231	D7795817	DESCONTINUADO
241	12056201	DESCONTINUADO
261	R0161050	DAMPER CONTROL KIT
321	D7687535	COVER, REFR CONTROL (S/P)
331	12607401	DESCONTINUADO
361	C3680310	SWITCH, LIGHT (S/P)
381	M0211018	SCREW, SM (S/P)
401	M0226233	SCREW, T. F. (S/P)
441	M0274057	SHIM, NON METAL (WHT) (S/P)
511	12076302	COVER, HINGE (WHT) (S/P)
601	M0238731	SCREW, TF (S/P)
651	M0274058	SHIM, NON METAL (WHT) (S/P)
771	M0221523	SCREW, SHLDR (S/P)
831	12056301	DESCONTINUADO
841	10493302	COVER, FRZ LIGHT (S/P)
851	M0238846	DESCONTINUADO
861	67001130	PLUG, TOP HINGE BUTTON (WHT) (S/P)
1461	10663002	INSUL., L. FOOT (S/P)
1601	M0310331	PLUG, BUTTON WHITE (S/P)
1711	M0270538	WASHER (S/P)
9011	12545201	SHIM, POSI PIN (S/P)

BX21V1W DOOR

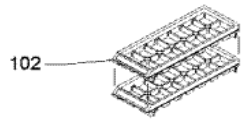
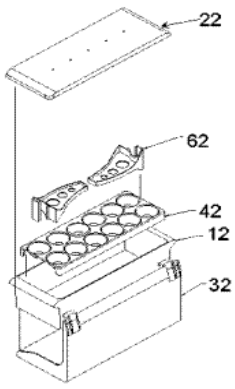
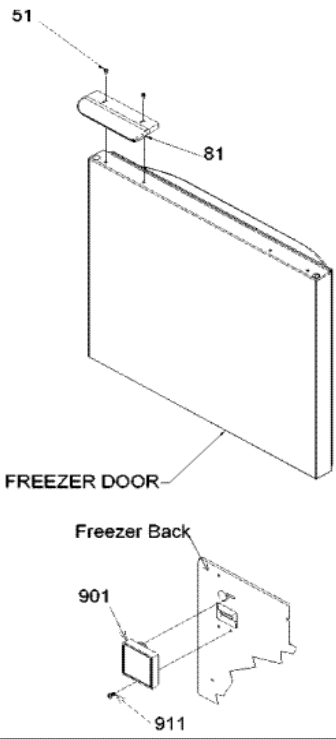
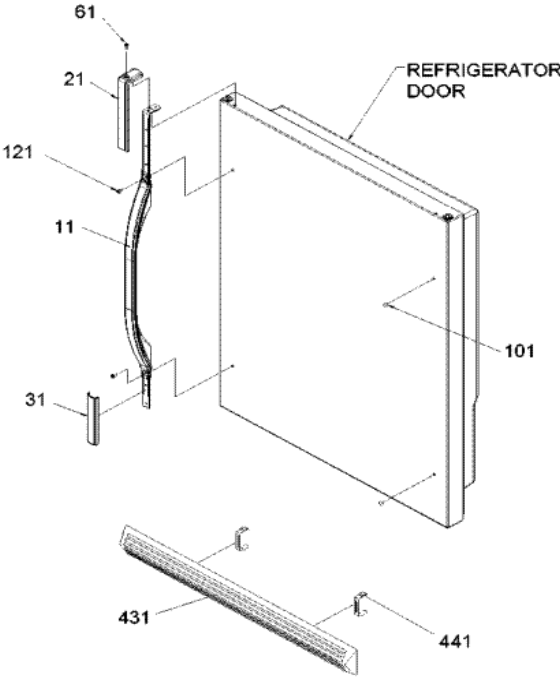




BX21V1W DOOR

11	12258307W	ASSY, REF DOOR (WHITE) (S/P)
12	10537407W	ASSY, FRZ DOOR FOAM (WHITE) BT (S/P)
21	M0211533	SCREW, MOUNTING (S/P)
22	M0219730	SCREW (S/P)
31	M0219730	SCREW (S/P)
32	B0523588	INSULATION BOTT (1= 1FT) (S/P)
42	67003779	STOP, DOOR (WHT) (S/P)
52	10202001	DESCONTINUADO
61	67003779	STOP, DOOR (WHT) (S/P)
62	12550116	GASKET,FZ DR(WHITE) (S/P)
63	67004975	BUSHING, DOOR (WHT) (S/P)
64	67004975	BUSHING, DOOR (WHT) (S/P)
72	12324801	DESCONTINUADO
82	M0211533	SCREW, MOUNTING (S/P)
91	12550115	GASKET,REF DR(WHITE) (S/P)
92	10419015	DESCONTINUADO
113	M0310308	DESCONTINUADO
121	10462502	DESCONTINUADO
124	M0310308	DESCONTINUADO
132	10304111	DESCONTINUADO
141	10183120	RETAINER, REF DOOR (S/P)
211	10202001	DESCONTINUADO
231	10686401	DESCONTINUADO
551	10416912	SHELF, REF DOOR (S/P)
561	10423420	DESCONTINUADO
571	10502911	BUCKET, REF DOOR (S/P)
1002	67001130	PLUG, HANDLE HOLE (WHT) (S/P)

BX21V1W DOOR HANDLES





BX21V1W DOOR HANDLES

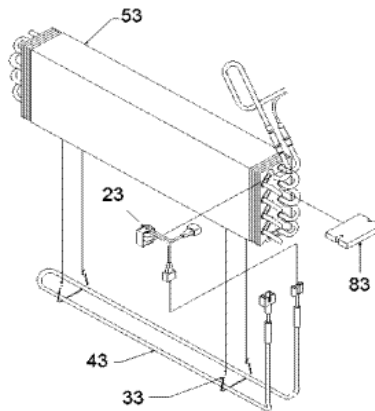
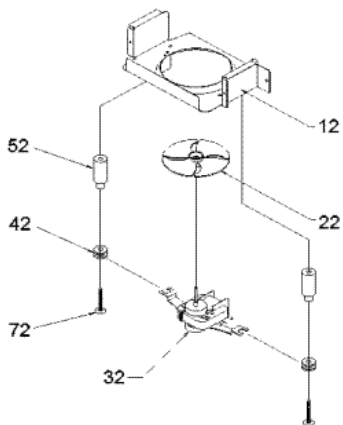
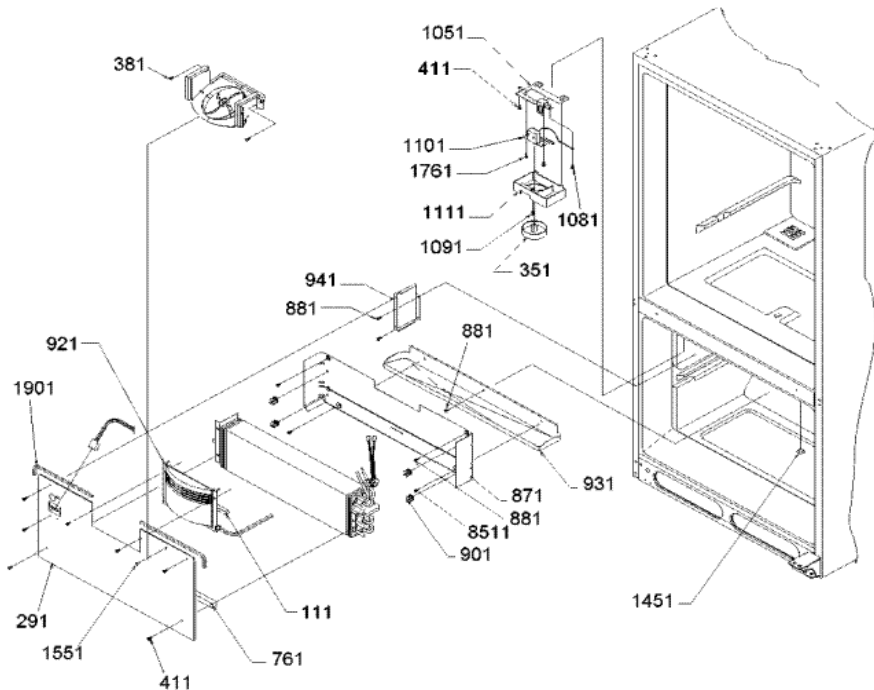
11	12443505W	HANDLE, REF DR(WHITE) (S/P)
12	10423131	BIN, UTILITY (S/P)
21	12443301	DESCONTINUADO
22	10436404	LID, UTILITY (S/P)
31	12273513	DESCONTINUADO
42	10436506	TRAY, EGG (S/P)
51	M0211533	SCREW, MOUNTING (S/P)
61	12248201	SCREW, HNDL CONE (S/P)
81	67005140	HANDLE, FZ DR (WHT) (S/P)
101	67001130	PLUG, HANDLE HOLE (WHT) (S/P)
102	D7725402	ICE TRAY (S/P)
121	M0223230	SCREW, MOUNTING (S/P)
431	10474802	GRILLE, TOE (WHITE) (S/P)
441	10551502	CLIP, TOE GRILLE (S/P)
901	D7874403	DESCONTINUADO
911	M0238616	SCREW, SM (S/P)

Distribuidor Autorizado

SurteRápido.com

Venta de Refacciones
Electrodomesticas

BX21V1W EVAPORATOR & FREEZER CONTROL

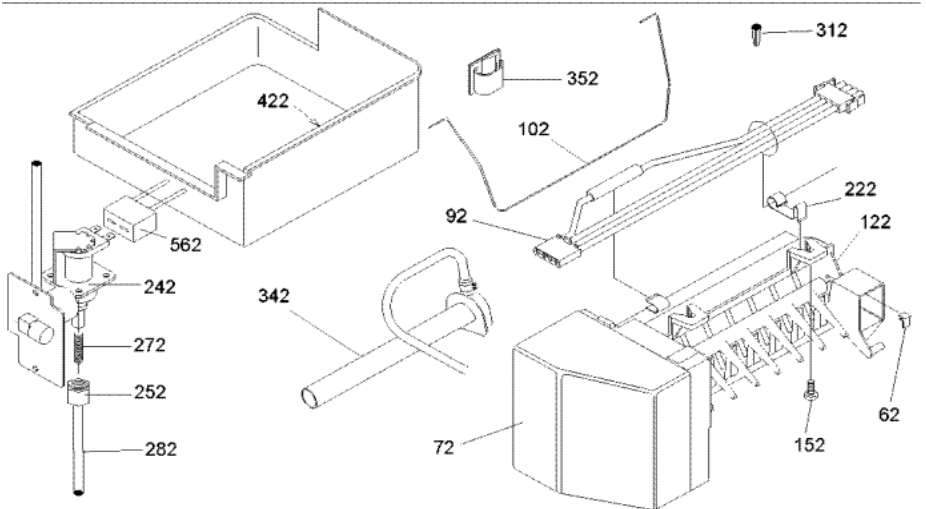
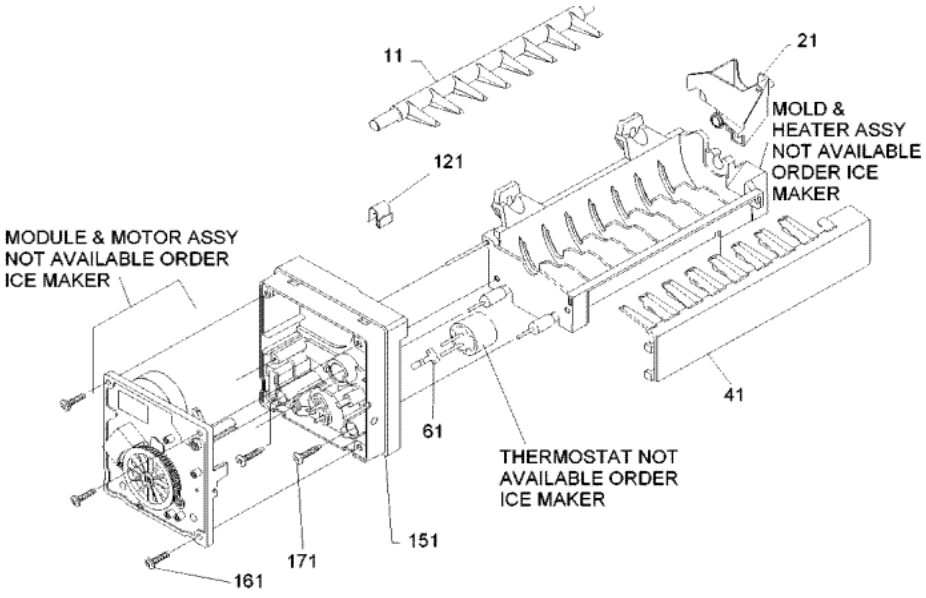




BX21V1W EVAPORATOR & FREEZER CONTROL

12	10619310	SHROUD, EVAP FAN - E CT (S/P)
22	2169142	FAN, EVAPORATOR (S/P)
23	10442411	THERMOSTAT, DEFROST (S/P)
32	12013211Q	MOTOR, EVAPORATOR FAN (S/P)
33	10428101	CLIP, EVAP HEATER (S/P)
42	12442501	GROMMET (S/P)
43	10428409	HEATER, EVAP (S/P)
52	12442401	POST, EVAP MOTOR (S/P)
53	R0161047	DESCONTINUADO
72	M0219711	SCREW (S/P)
83	10519101	DESCONTINUADO
111	B5759611	GASKET (S/P)
291	10485406	COVER, EVAP. (S/P)
351	D7689904	DESCONTINUADO
381	M0211018	SCREW, SM (S/P)
411	M0238616	SCREW, SM (S/P)
761	67002286	GASKET, FOAM (S/P)
871	10427716	SHIELD, EVAP (S/P)
881	M0238642	SCREW, SM (S/P)
901	10623002	CLIP, EVAPORATOR (S/P)
921	10502401	DESCONTINUADO
931	10486104	DESCONTINUADO
941	10638601	DUCT, RETURN AIR (S/P)
1051	12271401	BRACKET, CONTROL (S/P)
1081	M0253916	SCREW (S/P)
1091	M0216531	SCREW (S/P)
1101	C8946703	CONTROL, TEMP
1111	D7878825	DESCONTINUADO
1451	M0310308	DESCONTINUADO
1551	M0310305	PLUG, BUTTON (WHT) (S/P)
1761	M0216716	SCREW (S/P)
1901	A3189337	GASKET (S/P)
9999	M0321202	TIE (S/P)

BX21V1W ICE MAKER

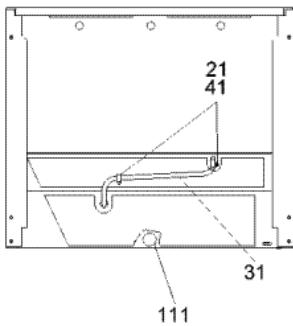
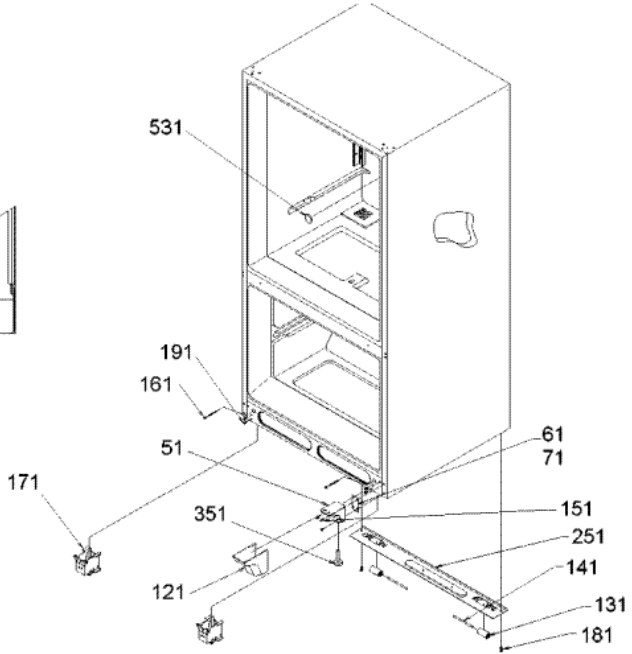
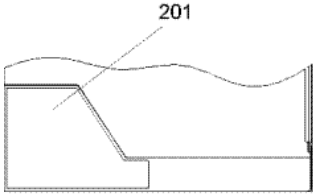




BX21V1W ICE MAKER

11	627843	EJECTOR (S/P)
21	628356	CUP, WATER FILL/BEARING
41	2182124	STRIPPER, ICE (S/P)
61	2315522	RETAINER (S/P)
62	B5720302	CLIP (S/P)
72	67004710	COVER, ICE MAKER (S/P)
92	D7813004	HARNESS, ICE MAKER MOD (S/P)
102	10884401	ARM, I.M. SHUT-OFF (S/P)
121	628379	CLIP, THERMAL FUSE (S/P)
122	D7824706Q	ICE MAKER
151	2195914	SUPPORT (S/P)
152	M0211018	SCREW, SM (S/P)
161	R0186041	SCREW (S/P)
171	R0186040	SCREW (S/P)
222	10526701	CLAMP, WIRE (S/P)
242	12490801	KIT, WATER VALVE (S/P)
252	M0753001	NUT, SLEEVE (S/P)
272	A1055105	SPRING, ANTIKINK (S/P)
282	B5705307	TUBING PLASTIC (S/P)
312	A3223101	INSERT, PLASTIC TUBE (S/P)
342	10463201	ELBOW, FILL TUBE (S/P)
352	M0104106	CLIP, CORD (S/P)
422	67001255	PAN-ICE (S/P)
562	10525901	HARNESS, WATER VALVE (S/P)
9999	10244904	COUPLING (S/P)
9999	10527045	INSTR, INSTALL (KENMORE) (S/P)
9999	10834701	LABEL, IM (S/P)
9999	M0251015	SCREW (S/P)
9999	M0311301	PLUG BUTTON (S/P)
9999	A3036901	LABEL WARRANTY (S/P)
9999	A3124301	PLUG (S/P)
9999	2221070	CLAMP, TUBE (S/P)
9999	M0114003	CLIP, SPEED (S/P)

BX21V1W INSULATION & ROLLERS

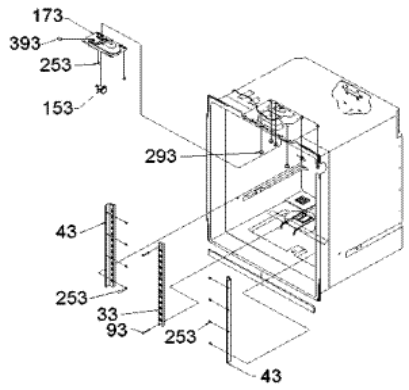
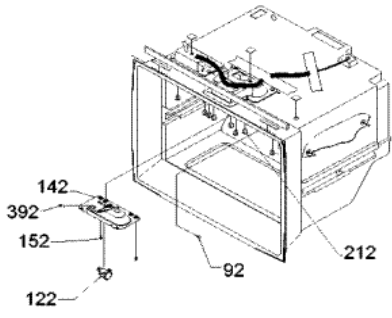
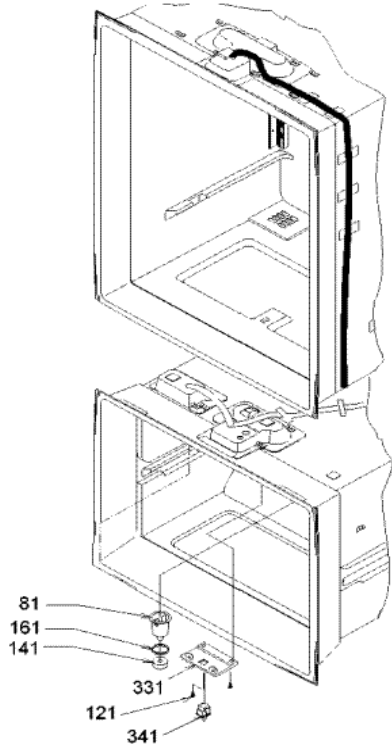




BX21V1W INSULATION & ROLLERS

21	M0227217	SCREW, SM (S/P)
31	10513302	TUBE, DRAIN (S/P)
41	M0102303	CLAMP (S/P)
51	10585508	HINGE,(W)BTM-E CT (S/P)
61	10447905	SHIM, HINGE (BTM) (S/P)
71	10447906	SHIM HINGE (S/P)
111	A3076901	PLUG, BUTTON (S/P)
121	10584802	COVER, LOWER HINGE (WHITE) (S/P)
131	10450701	ROLLER, REAR (S/P)
141	10450901	AXLE, ROLLER (S/P)
151	M0241508	SCREW, SM (S/P)
161	M0204336	DESCONTINUADO
171	12452601Q	ASSY, ROLLER BRACKET (S/P)
181	M0260242	SCREW, TF (S/P)
191	M0211031	SCREW, SM (S/P)
201	10663001	INSUL., R. FOOT (S/P)
251	10427112	DESCONTINUADO
351	67003868	BRAKE, FOOT (S/P)
531	R9800023	DESCONTINUADO

BX21V1W LIGHT SWITCHES & DRAIN FUNNEL

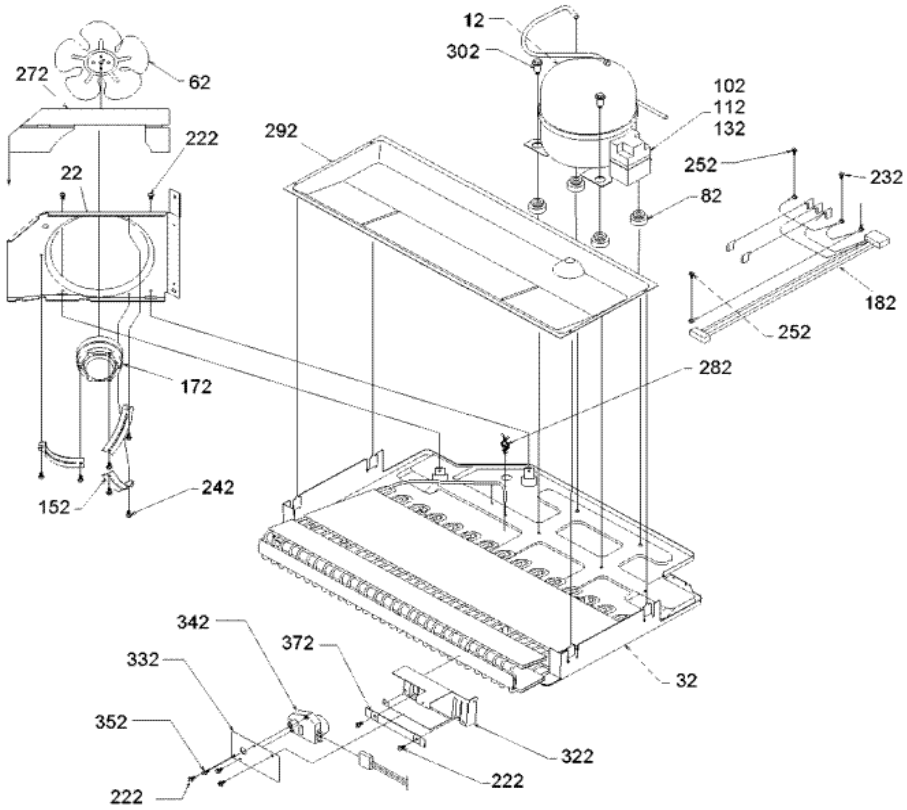
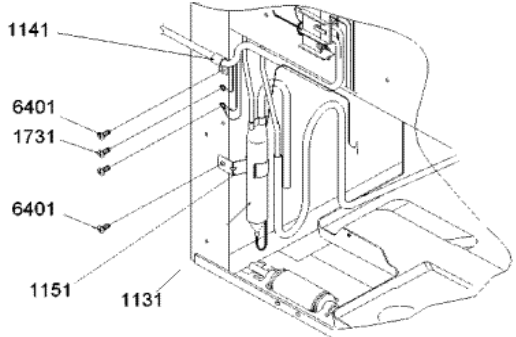




BX21V1W LIGHT SWITCHES & DRAIN FUNNEL

33	12435801	DESCONTINUADO
43	67001302	LADDER, SIDES (S/P)
81	D7753903	FUNNEL, DRAIN (S/P)
92	M0210816	SCREW, SM (S/P)
93	M0231426	SCREW (S/P)
121	M0238616	SCREW, SM (S/P)
122	D7714408	SOCKET, LIGHT (S/P)
141	B8381501	GASKET, DRAIN TUBE (S/P)
142	12427502	DESCONTINUADO
152	M0238642	SCREW, SM (S/P)
153	D7714408	SOCKET, LIGHT (S/P)
161	M0500703	SEAL, O RING (S/P)
173	12427502	DESCONTINUADO
212	M0581001	GROMMET, SCREW (S/P)
253	M0238642	SCREW, SM (S/P)
293	M0581001	GROMMET, SCREW (S/P)
331	D7297604	DESCONTINUADO
341	C3680310	SWITCH, LIGHT (S/P)
392	B5733302	CLIP, GROUND (S/P)
393	B5733302	CLIP, GROUND (S/P)

BX21V1W MACHINE COMPARTMENT





BX21V1W MACHINE COMPARTMENT

12	8201557	COMPRESSOR,DC73C (PANASONIC) (S/P)
22	10426911	DESCONTINUADO
32	10481220	ASSY, COND PAN (S/P)
62	B5742604	BLADE, FAN (S/P)
82	67003493	GROMMET, COMPRESSOR (S/P)
102	12604101	DESCONTINUADO
112	12555901	OVERLOAD,RELAY-PANASONIC (S/P)
132	C8931612	CAPACITOR
152	10582501	BRACKET, COND. MOTOR (S/P)
172	10884507	MOTOR, CONDENSER FAN (S/P)
182	12556101	HARNESS, MC (S/P)
222	M0224416	SCREW, SM (S/P)
232	M0232903	SCREW (S/P)
242	M0223816	SCREW, TR (S/P)
252	M0253916	SCREW (S/P)
272	10442702	GASKET, COND. FAN (S/P)
282	B5667304	WIRE CLIP (S/P)
292	10427405	DESCONTINUADO
302	M0221523	SCREW, SHLDR (S/P)
322	10503201	BRKT, TIMER (S/P)
332	12515801	COVER, TIMER BRKT (S/P)
342	10530703	TIMER, DEFROST (8 HR)
352	M0216705	SCREW (S/P)
372	10542701	WASHER, BRKT (S/P)
1131	B2150504	DRIER (S/P)
1141	M0103904	CLAMP, SPEED (S/P)
1151	10547002	CLIP, DRIER (S/P)
1731	M0239216	SCREW, CA (S/P)
6401	M0220617	SCREW (S/P)

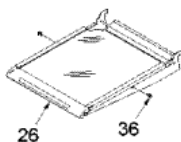
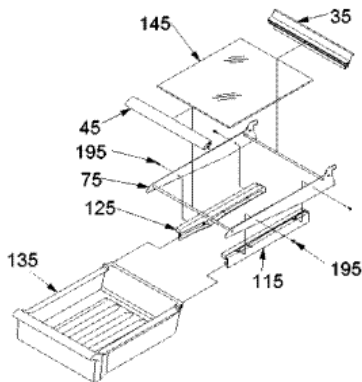
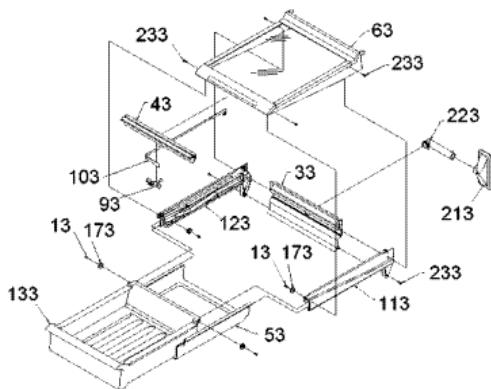
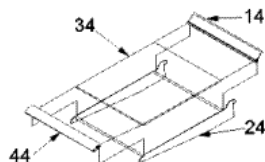
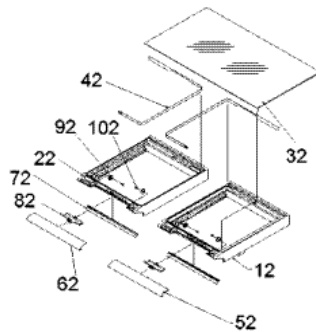
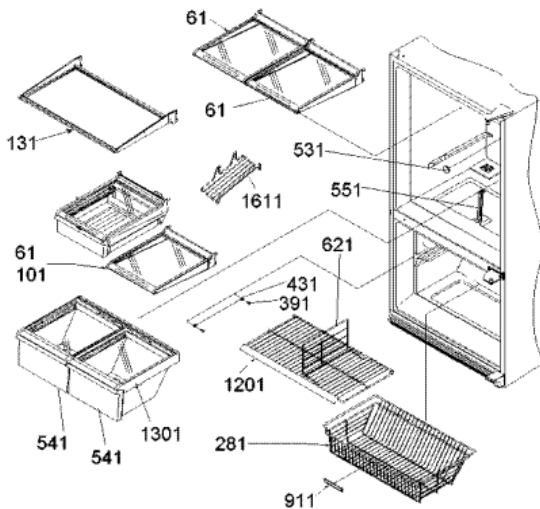
Distribuidor Autorizado

SurteRápido.com

Venta de Refacciones
Electrodomesticas



BX21V1W SHELVING





BX21V1W SHELVING

12	10485901	FRAME, CRISPER (R) (S/P)
22	10485902	FRAME, CRISPER (L) (S/P)
32	10370035	GLASS, SHELF (S/P)
33	10934903	DESCONTINUADO
42	10514002	BAND, CRISPER CONTROL (S/P)
43	10920303	DESCONTINUADO
52	10530318	DESCONTINUADO
53	10437305	SLEEVE, MEATKEEPER (S/P)
61	10895714	DESCONTINUADO
62	10530319	DESCONTINUADO
63	10895713	SHELF-STA (S/P)
72	10530204	SEAL, CRISPER (S/P)
82	10797501	SLIDE, CRISPER (S/P)
92	10481001	ROLLER, PAN (S/P)
93	10920401	DESCONTINUADO
103	10935002	BAND, MK CONTROL (S/P)
113	10880202	GLIDE, MK R (S/P)
123	10897102	GLIDE, L. MK (S/P)
133	10417018	PAN, MEATKEEPER (S/P)
173	10481001	ROLLER, PAN (S/P)
213	10501901	DESCONTINUADO
223	10486401	TUNNEL, AIR MT KP (S/P)
281	12433501	DESCONTINUADO
431	10972101	SPACER, ICE RACK (S/P)
531	M0310343	PLUG, BUTTON (WHT) (S/P)
541	10432015	PAN, CRISPER (S/P)
551	10461901	POST, CRISPER SUPPORT (S/P)
621	D7806002	DESCONTINUADO
911	10508506	HANDLE, BASKET/SHELF (S/P)
1201	12204704	DESCONTINUADO
1301	12431806Q	DESCONTINUADO
1611	12646501	RACK, ICE TRAY (S/P)