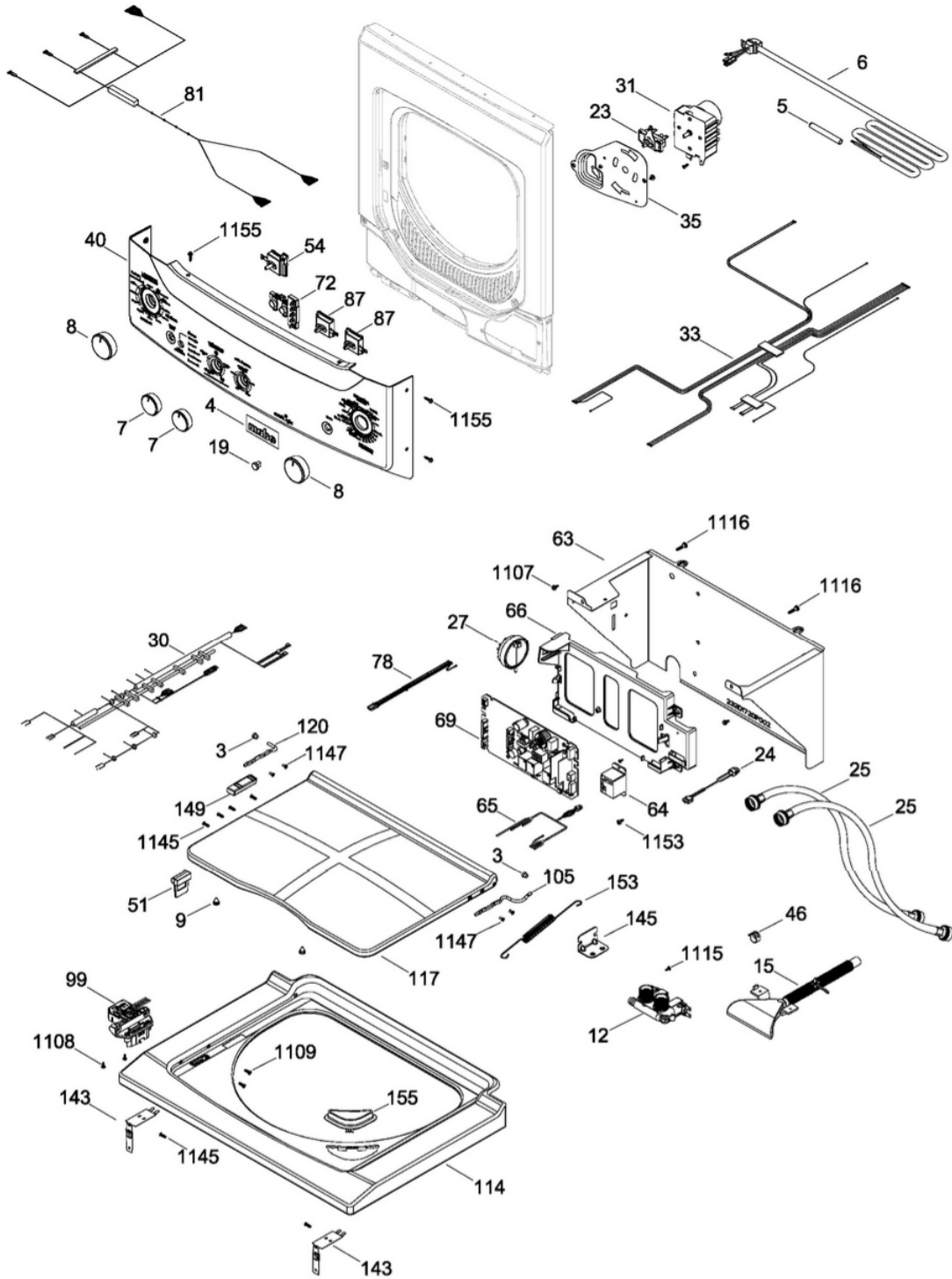
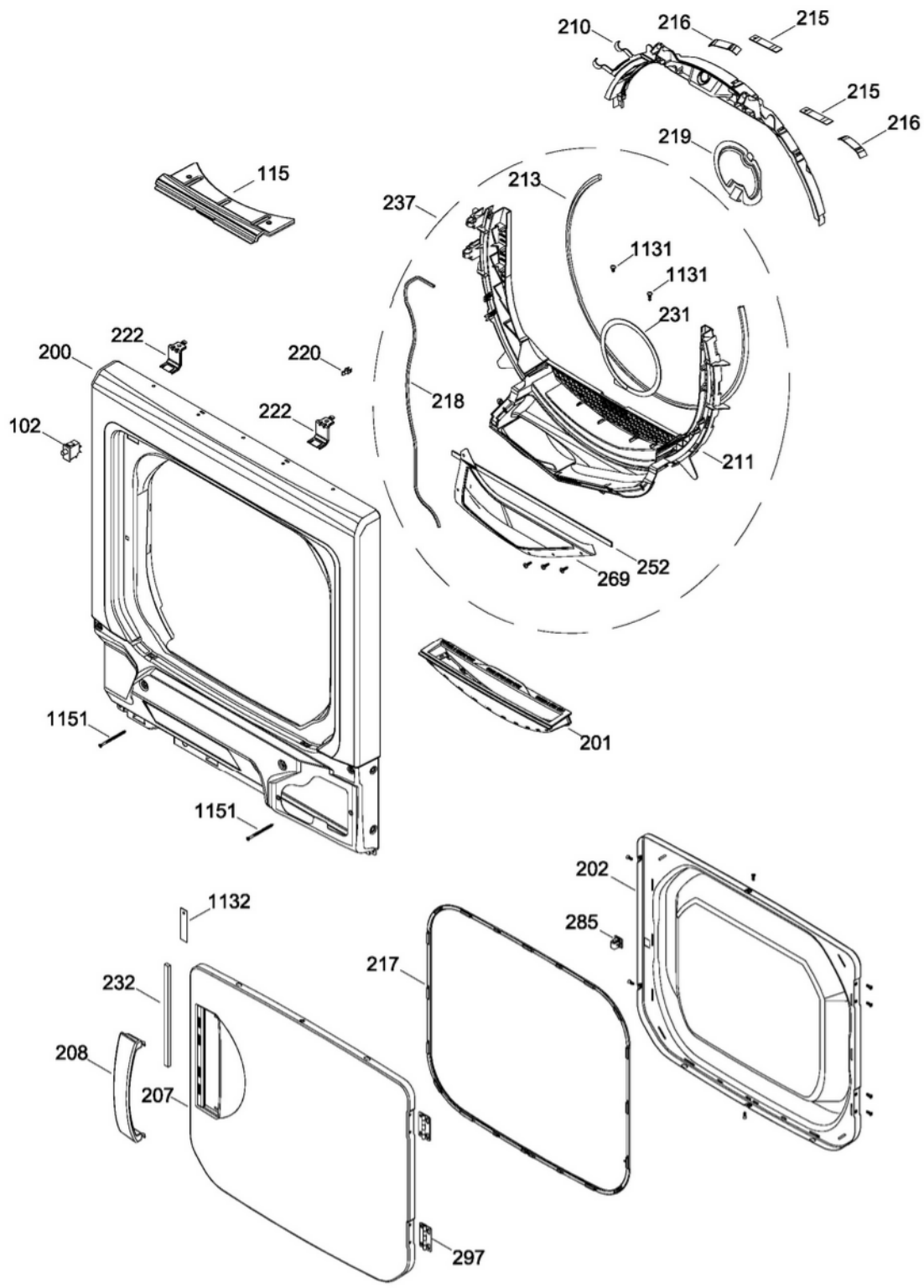


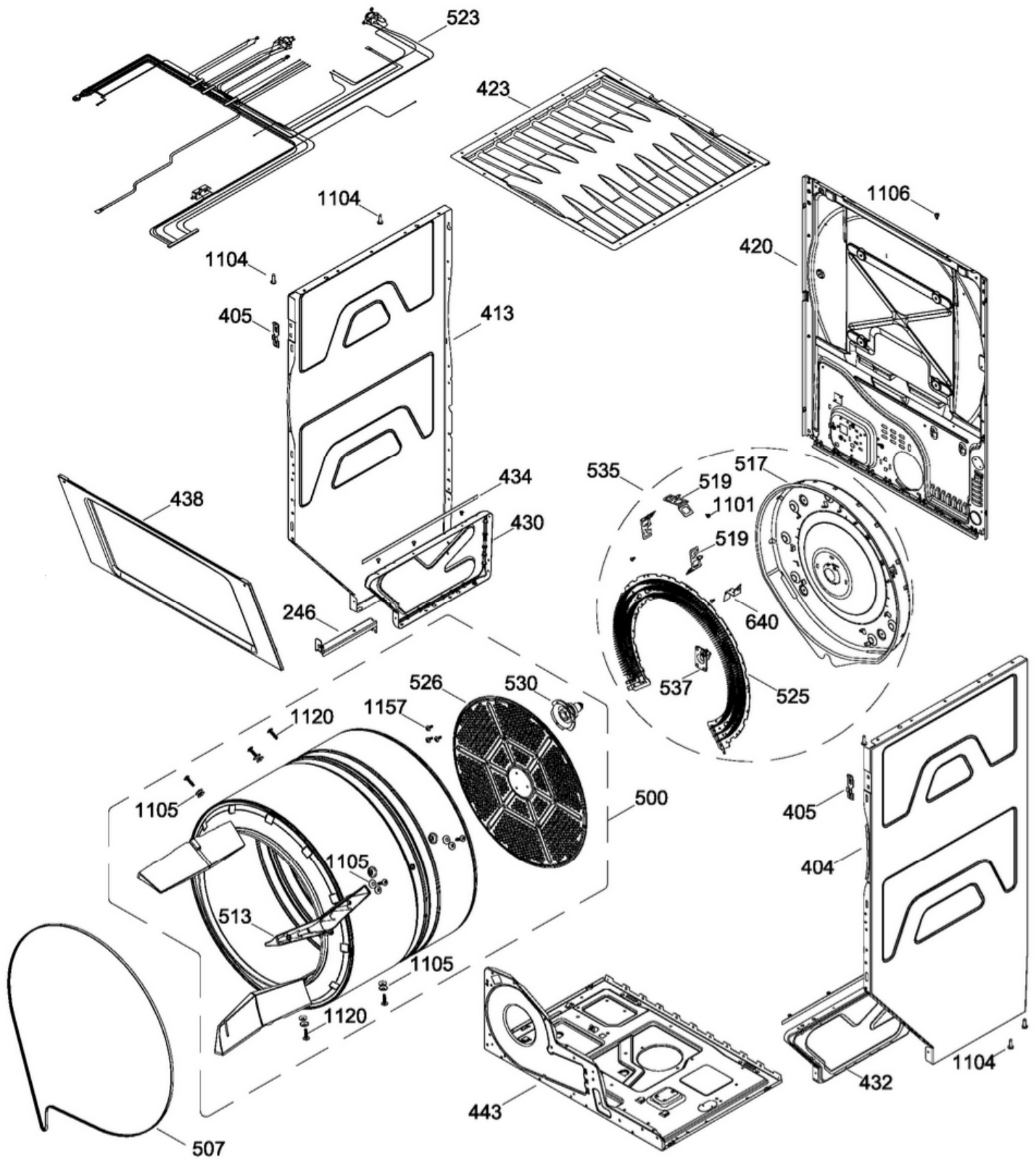
CENTRO DE LAVADO MCL1740ESBB0



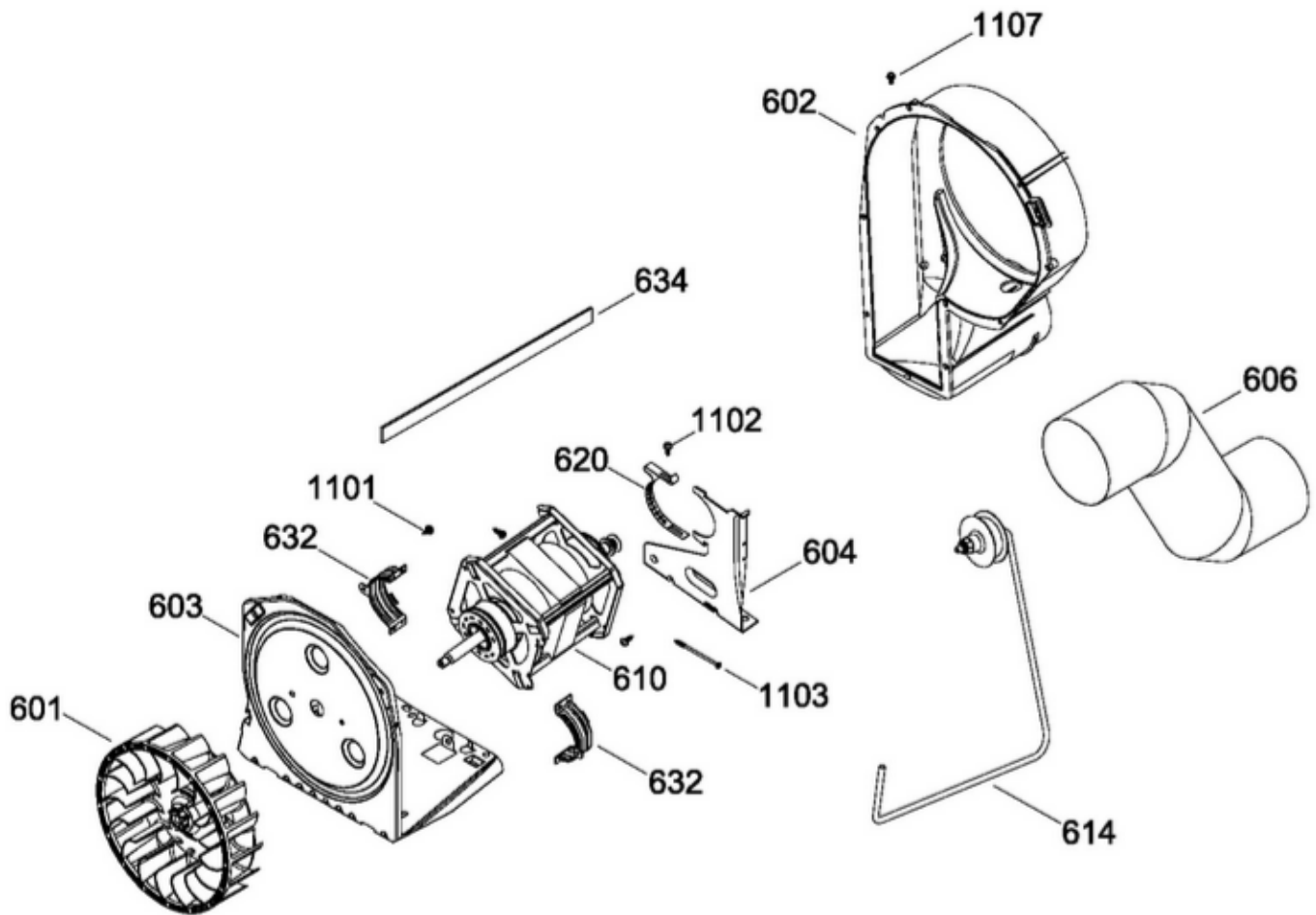
CENTRO DE LAVADO MCL1740ESBB0



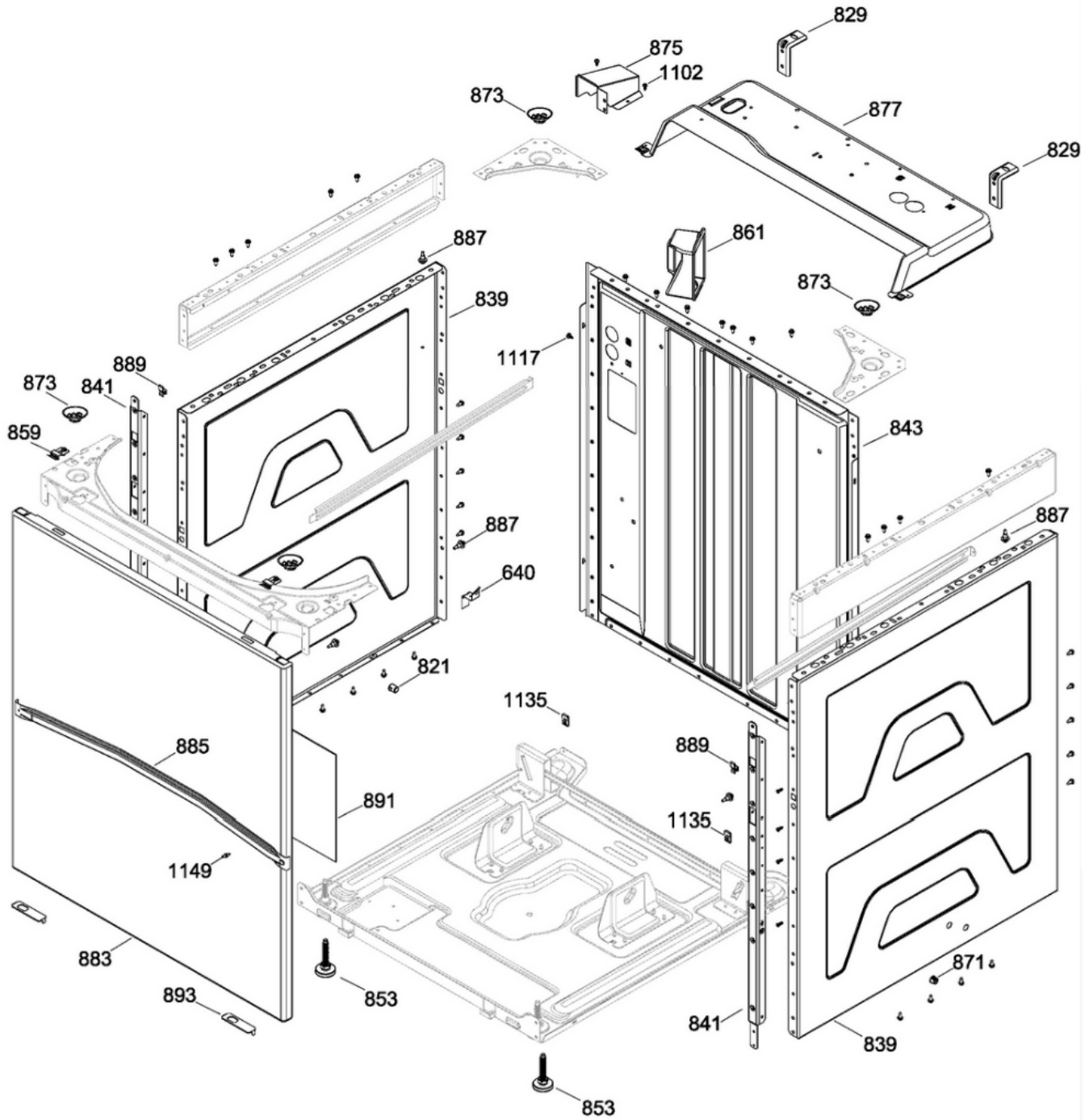
CENTRO DE LAVADO MCL1740ESBB0



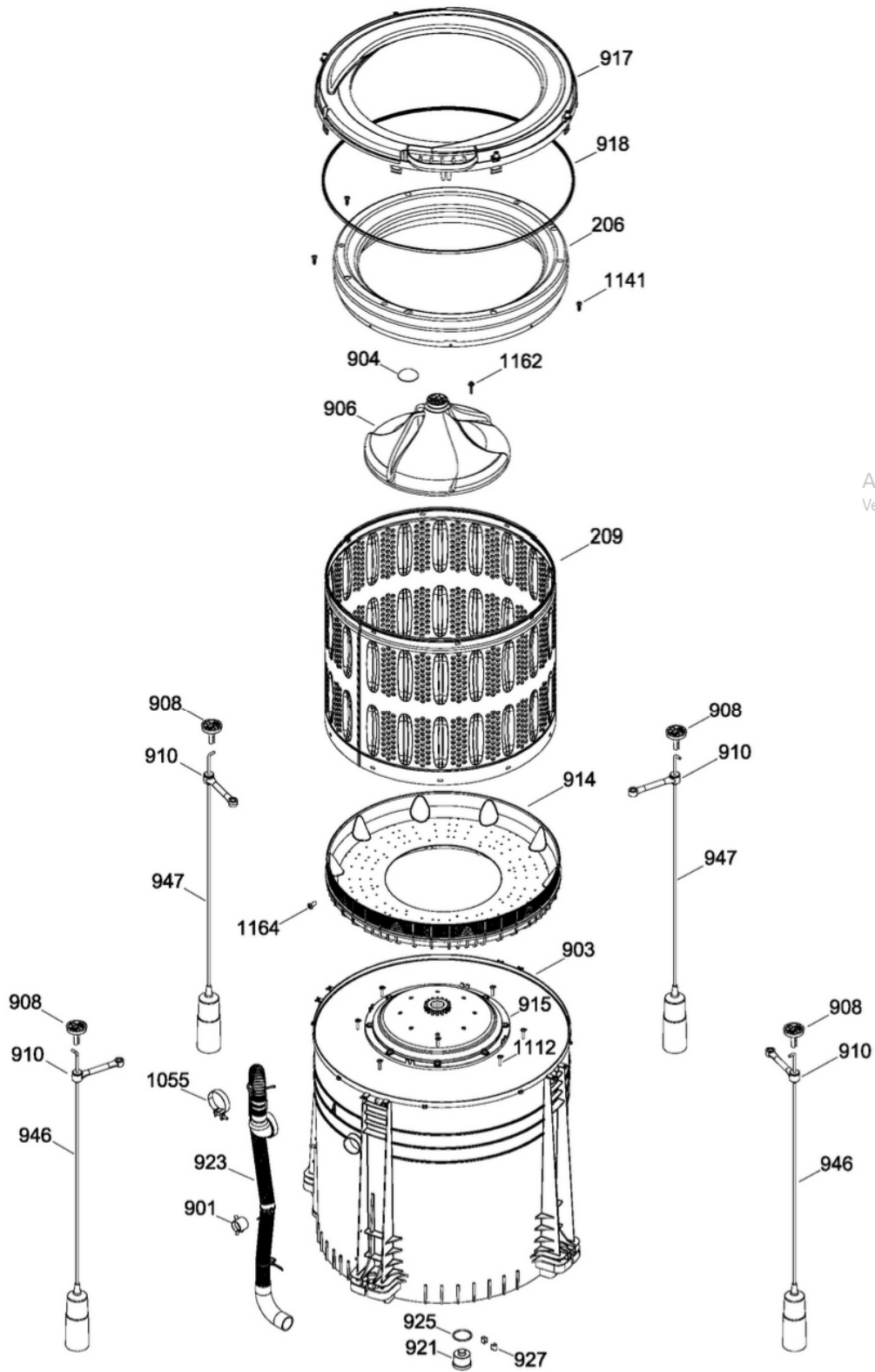
CENTRO DE LAVADO MCL1740ESBB0



CENTRO DE LAVADO MCL1740ESBB0

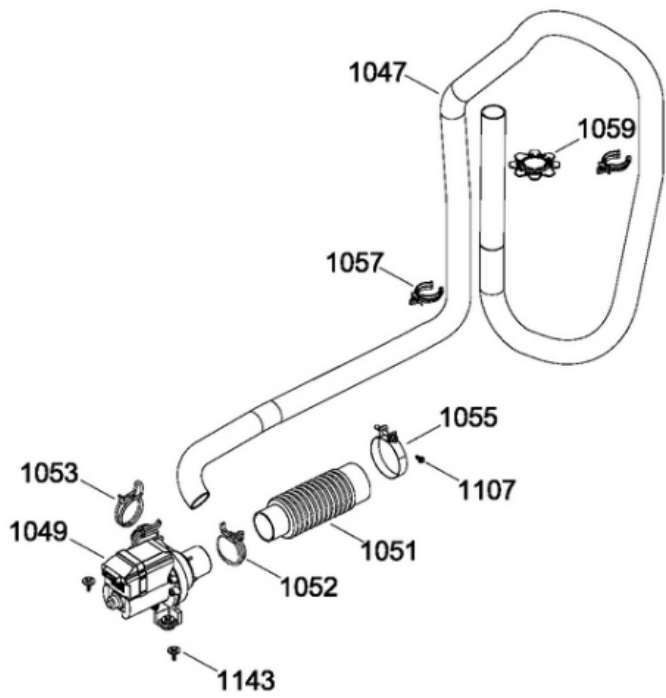
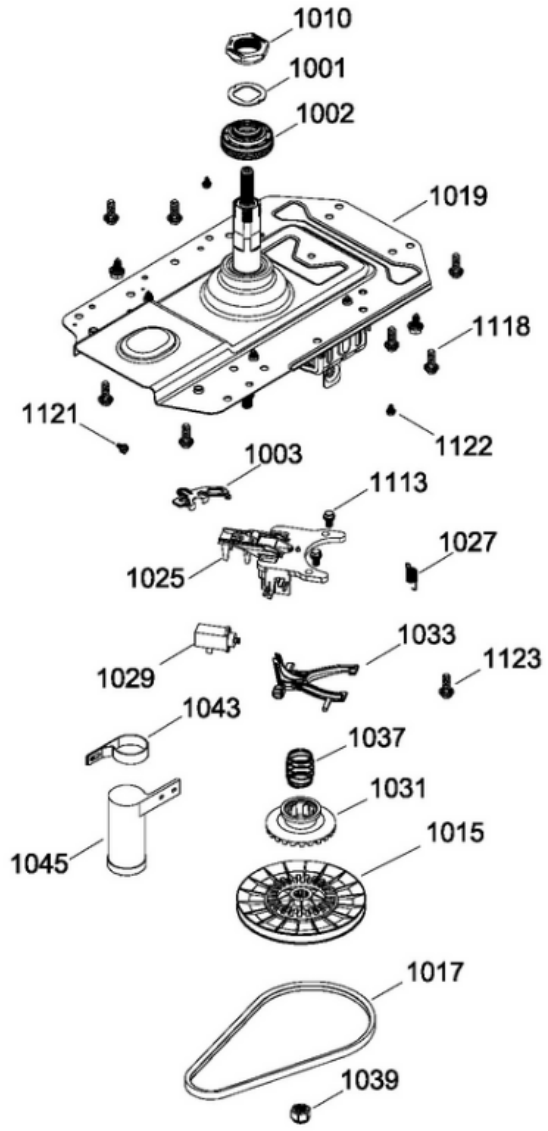
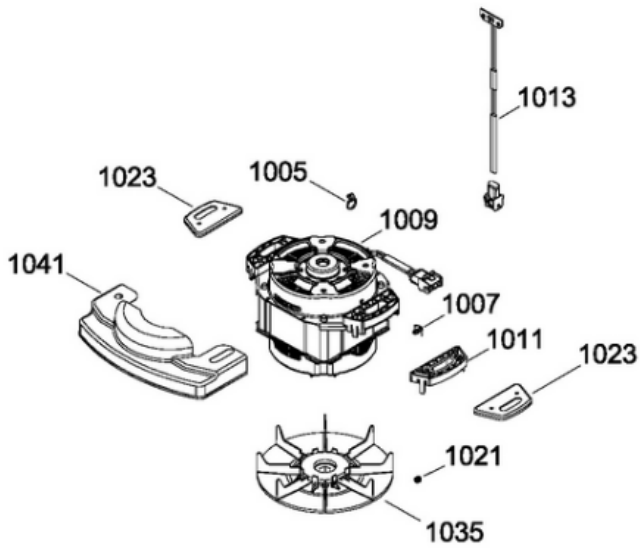


CENTRO DE LAVADO MCL1740ESBB0



Acti
 Ve a

CENTRO DE LAVADO MCL1740ESBB0





CENTRO DE LAVADO MCL1740ESBBO

Guía	Componente	Descripción
3	277B1069P001	BUJE BISAGRA
4	238C3240G001	ENS. LOGOTIPO MABE
5	278B1158P001	CAPUCHON TOMACORRIENTE
7	323B2342G026	PERILLA ROTATORIA BLANCA ARO C
8	323B2343G012	ENS. PERILLA CONTROL
9	277B1079P001	TOPE TAPA
12	189D5366P003	VALVULA CW 47C
15	228C2478G006	ENTRADA DE AGUA ENS
19	323B4097G003	BOTON INICIO ENS.
23	248C1146P001	INTERRUPTOR ARRANQUE
24	277B1083G002	ARNES EXTENS.ION ENS.
25	253C1035G002	MANGUERAS
27	228C2084P003	PRESOSTATO
30	233D1472G002	ARNES PRINCIPAL LAV ENS
31	234D1296P017	RELOJ
33	189D7182G002	ARNES UI ENS
35	228C2436P001	SOPORTE CONTROLES
40	234D1181G018	PANEL CONTROL
46	277B1146P002	ABRAZADERA MANGUERA
51	228C2424P001	ACTUADOR
54	228C1256G006	SELECTOR PROGRAMA
63	233D1720P001	PROTECTOR TARJETA
64	253C1102P001	RELEVADOR
65	277B1154G001	ARNES EXT PRINCIPAL
66	253C1097P001	SOPORTE TARJETA
69	233D1496G004	TARJETA DE CONTROL
72	189D2761G018	BOTON SELECTOR
78	189D3652G002	ARNES PRESOSTATO
81	233D1460G001	ARNES SELECTOR
87	228C1256G002	SELECTOR 5 PROGRAMAS
99	253C1098P001	BLOCAPUERTA
102	248C1157P001	INTERRUPTOR PUERTA
105	228C2425P001	BISAGRA CUBIERTA
114	189D5272P005	CUBIERTA LAVADORA
115	233D1537P001	BRACKET



CENTRO DE LAVADO MCL1740ESBBO

Guía	Componente	Descripción
117	189D5276P005	TAPA LAVADORA
120	228C2425P002	BISAGRA CUBIERTA
143	228C2470P001	CLIP CUBIERTA
145	253C1047P001	SOPORTE RESORTE
149	253C1064P001	MAGNETO
153	323B2598P001	RESORTE CUBIERTA LAVADOR
155	233D1264P001	DESPACHADOR CLORO
200	189D7082P005	PANEL FRONTAL DIAMOND GREY
201	234D1031P001	FILTRO
202	189D7120P002	PUERTA INTERIOR
206	189D1111G005	ARO DE BALANCE ENS
207	189D7118P002P	PUERTA EXTERIOR (BLANCO)
208	228C2419P008	JALADERA PUERTA
209	189D3561P006	CANASTA
210	234D1674P001	COJINETE SUP.
211	189D7072P001	DUCTO RECOLECTOR
213	323B4099P002	FIELTRO DUCTO RECOLECTOR
215	540B387P001	BEARING_SLIDE
216	540B387P002	BEARING_SLIDE
217	189D7140P002	SELLO PUERTA
218	189D7183G002	ARNES PUERTA
219	228C4009P001	TAPA DUCTO
220	143B9304P001	STRIKE
222	323B4044P001	SOPORTE TOP BEARING
231	323B4047P001	SELLO DE SALIDA
232	323B4048P001	SELLO DUCTO RECOLECTOR
237	189D7071G001	DUCTO RECOLECTOR ENS
246	323B4098P002	REFUERZO
252	323B4049P001	SELLO CUBIERTA DUCTO RECOLECTO
269	234D1022P001	CUBIERTA DUCTO RECOLECTOR
285	364B6004G001	LATCH ASM.
297	254C1041P001	BISAGRA PUERTA
404	189D7067P009	PANEL LATERAL
405	323B4094P001	CLIP PANEL FRONTAL
413	189D7068P009	PANEL LATERAL
420	234D1514P001	PANEL POSTERIOR



CENTRO DE LAVADO MCL1740ESBBO

Guía	Componente	Descripción
423	189D7069P002T	PANEL SUP.
430	189D7137P002	SOPORTE BASE CHASIS
432	189D7137P001	SOPORTE BASE CHASIS
434	323B4047P002	SELLO DE SALIDA
438	189D5246P006	PANEL DE ACCESO
443	189D7080P002	BASE CHASIS
445	248C1014G002	CORDON TOMACORRIENTE
500	234D1004G002	TAMBOR ALETAS ENS.
507	559C197P005	BANDA SECADORA
513	189D7127P001	ALETA
517	234D1003P001VS	CUBIERTA CALENTADOR
519	364B7003P002	SOPORTE DE PROTECCION
523	234D1278G001	ARNES PRINCIPAL
525	234D1030P002	CALENTADOR ENS.
526	233D1581P003	DIFUSOR
530	248C1156G001	ENS. SOPORTE BUJE
535	189D7110G010	CALENTADOR CUBIERTA ENS.
537	161B3251P004	RETENEDOR RODAMIENTO
601	234D1593P001	VENTILADOR REDONDO
602	212D1503P006	CAJA DEL VENTILADOR
603	234D1526P004	BASE MOTOR
604	559C001P006	SOPORTE MOTOR
606	189D7078P001	DUCTO ESCAPE
610	234D1158G001	MOTOR POLEA ENS.
614	189D7031G001	ENS. BRAZO AUXILIAR
620	717B299P001	CLIP MOTOR
632	123C7934P001	CORREA MOTOR
634	364B7029P001	EMPAQUE ESCAPE SOPLADOR
640	278B1309G002	SOPORTE TIERRA ENS
821	228C2484P001	TAPON DE BOTON
829	228C2407P001	SOPORTE DE AJUSTE
839	189D5584P012	PANEL LATERAL
841	189D5587P001	REFUERZO LATERAL FRONTAL
843	189D5585P002	PANEL POSTERIOR LAVADORA
853	277B1066P001	PATA NIVELADORA
859	228C2465P001	CLIP CIERRE



CENTRO DE LAVADO MCL1740ESBBO

Guía	Componente	Descripción
861	323B2659P002	TAPA MANGUERA
871	253C1049P001	TAPON
873	277B1050P001	BASE ROTULA
875	254C1000P001	CUBIERTA ARNES PRINCIPAL
877	189D5119P002	SOPORTE ENTRADA DE AGUA
883	189D5590P006	PANEL FRONTAL
885	228C2427P001	REFUERZO PANEL FRONTAL
887	228C2466P001	PERNO ALINEADOR
889	228C2467P001	CLIP DE TIERRA
891	323B2658P002	AISLANTE DE RUIDO
893	277B1080P001	CALZA NIVELADORA
901	323B1408P001	ABRAZADERA MANGUERA
903	189D2668P004	TINA
904	228C2443P002	TAPA PROPELA
906	233D1179P002	INFUSOR
908	228C2372P001	ROTULA
910	277B1267G002	LIGA DE SUSPENSION 27
914	189D3562P002	FONDO PLASTICO
915	189D3971P001L	FONDO CANASTA
917	189D1087P001	CUBIERTA TINA 10 KG
918	228C1177P002	SELLO TINA
921	228C2089P001	TAPON CAJA PRESOSTATO
923	233D1376P001	MANGUERA
925	323B2098P001	O-RING
927	323B2099P001	CLIP TAPON PRESOSTATO
946	189D3916G016	ENS. VARILLA
947	189D3916G015	ENS. VARILLA
1001	323B2127P001	ARANDELA
1002	228C2451P001	SELLO TINA
1003	228C2110P001	SOPORTE TARJETA
1005	143B9478P001	CINCHO ESPADA (BOMBA Y ARNES)
1007	323B1365P001	BOTON MONTAJE
1009	189D4153P002	ENS. MOTOR
1010	228C2160P001	TUERCA AMAZ IZO.
1011	253C1092P001	ESPACIADOR MOTOR
1013	253C1041P001	SENS.OR VELOCIDAD



CENTRO DE LAVADO MCL1740ESBBO

Guía	Componente	Descripción
1015	189D2652P001	POLEA TRANSMISION
1017	228C2115P003	BANDA UNIFICADA
1019	189D5234G003	ENS. SOPORTES
1021	323B1279P002	OPRESOR POLEA
1023	323B2167P001	REFUERZO MOTOR
1025	189D3938P001	SOPORTE HORQUILLA
1027	323B2560P001	RESORTE HORQUILLA
1029	228C2329P001	TERMOACTUADOR
1031	189D2010P001	CAMBIADOR
1033	189D3937P001	HORQUILLA CAMBIADOR
1035	189D2645G012L	POLEA MOTOR ENSAMBLE
1037	228C2367P001	RESORTE CAMBIADOR
1039	323B2610P001	TUERCA POLEA MOTOR
1041	233D1088P001	PROTECTOR TINA
1043	228C1155P004	CLIP CAPACITOR
1045	228C1259P001	CAPACITOR
1047	228C2378G001	MANGUERA
1049	228C2389P001	BOMBA
1051	228C2474P001	MANGUERA
1052	323B2665P002	ABRAZADERA
1053	323B2665P001	ABRAZADERA
1055	277B1026P001	ABRAZADERA
1057	253C1054P001	CLIP MANGUERA
1059	253C1073P001	TOPE MANGUERA
1101	540B006P020	TORNILLO
1102	540B006P001	TORNILLO
1103	540B006P046	TORNILLO
1104	8911201P341	TORNILLO 8-18 X 7/16 AB FENIX
1105	102A3143P120	ARANDELA
1106	540B004P002	SCREW
1107	8911201P259	TORNILLO 8-18 AB IHW 3/8 SN
1108	323B2666P001	TORNILLO
1109	277B1126P001	TO 2RNILLO 8-16B FLP .525 S ZN
1112	8911238P041	TORNILLO FONDO CANASTA
1113	323B2148P001	TORNILLO SOPORTE
1115	278B1126P001	TORNILLO 8-18 AB 1/2



CENTRO DE LAVADO MCL1740ESBBO

Guía	Componente	Descripción
1116	253C1147G001	TORNILLO Y ARANDELA ENS
1117	277B1076P001	TORNILLO
1118	323B2094P002	TORNILLO SOP BALERO-SOP PRINC
1120	540B006P033	TORNILLO
1121	109B3403P052	TORNILLO
1122	323B2094P001	TORNILLO SUJECION
1123	323B2190P002	TORNILLO
1131	540B004P062	TORNILLO
1132	323B2599P001	ESPACIADOR ESPUMADO
1135	278B1175P001	TUERCA RAPIDA
1141	323B1193P001	TORNILLO
1143	277B1040P001	TORNILLO SUJECION BOMBA
1145	323B2663P001	TORNILLO
1147	8911200P283	TORNILLO 6-32 MCH FLP 340 SS
1149	323B2660P001	TORNILLO TIERRA
1151	278B1094P001	TORNILLO
1153	323B2264P004	TORNILLO 30 X 20 IA PP
1155	323B4046P001	TORNILLO
1157	540B006P031	TORNILLO #10
1162	323B1346P002	TORNILLO
1164	323B2433P001	TORNILLO