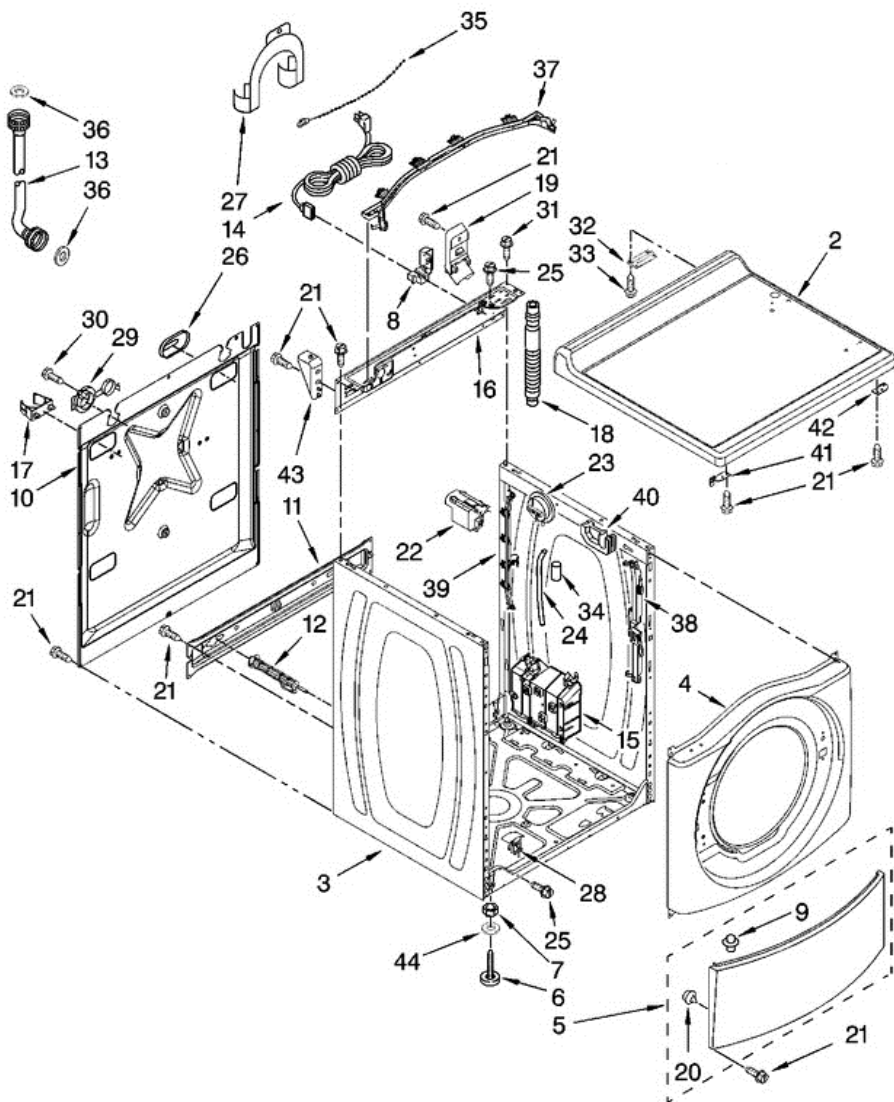


Distribuidor Autorizado

SurteRápido.com

Venta de Refacciones
Electrodomesticas

CHW9900VQ0 GABINETE



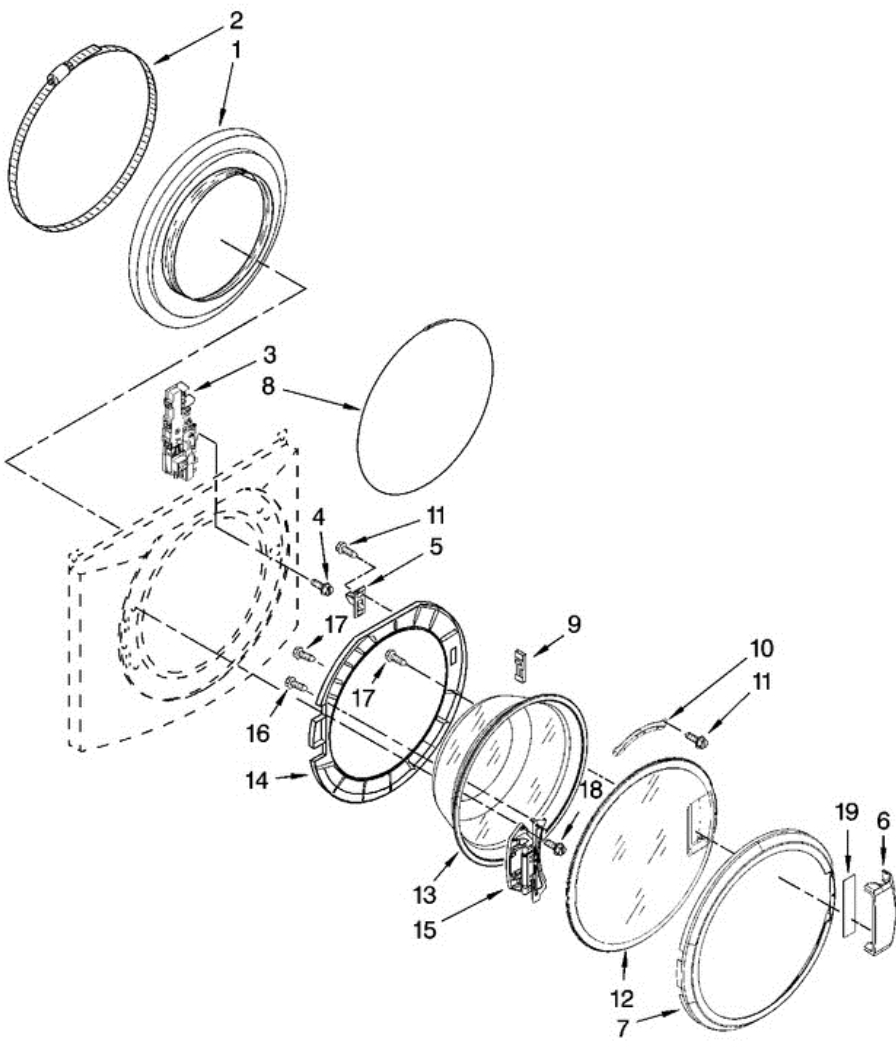


CHW9900VQ0 GABINETE

2	W10137411	TOP
3	W10184997	CABINET
4	W10112948	PANEL, FRONT
5	8540813	TOE PANEL
6	W10121677	FOOT, LEVELING (4)
7	3359452	NUT, LOCK (4)
8	W10110676	STRAIN RELIEF, POWER CORD
9	8518891	RIVET
10	8540582	PANEL, REAR
11	W10189659	BRACE, TRANSPORT
12	8540199	BOLT, SHIPPING (4)
13	8571377	HOSE, WATER INLET (BLUE COUPLER)
13	8571378	HOSE, WATER INLET (RED COUPLER)
14	W10029820	CORD, POWER
15	W10163005	MOTOR CONTROL UNIT
16	W10161694	BRACE, REAR
17	8540093	CLAMP, TUBE TRANSPORTATION
18	W10114608	HOSE, DRAIN
19	8540607	RETAINER, HOSE OUTLET
20	238614	BUMPER (2)
21	W10015090	SCREW, 8-18 X 5/8
22	8540230	FILTER, INTERFERENCE
23	W10163980	SWITCH, PRESSURE
24	8540294	HOSE, PRESSURE SWITCH
25	8540479	SCREW, GROUNDING
26	8540268	COVER, TRANSPORT
27	8540021	U-BEND, DRAIN HOSE
28	W10085220	MICROSWITCH (2)
29	8540728	SLEEVE, CORD SUPPORT (2)
30	8540727	SCREW, 3 X 8 MM
31	8540329	SCREW
32	8565018	HINGE & PIN ASSEMBLY
33	342055	SCREW, 8-18 X 1/2

34	2161302	SLEEVE, PRESSURE SWITCH HOSE
35	3347868	CABLE TIE
36	16123	WASHER, WATER INLET HOSE (4) (1-1/16 X 5/8)
37	W10168548	HARNESS CHANNEL, TOP REAR
38	W10168546	HARNESS CHANNEL, SIDE FRONT
39	W10168547	HARNESS CHANNEL, SIDE REAR
40	8540643	BRACKET, SPRING
41	W10137445	BRACKET - TOP PANEL, LEFT
42	W10137444	BRACKET - TOP PANEL, RIGHT
43	W10137398	STOP, TOP PANEL
44	487576	WASHER, NYLON (4)

CHW9900VQ0 PUERTA

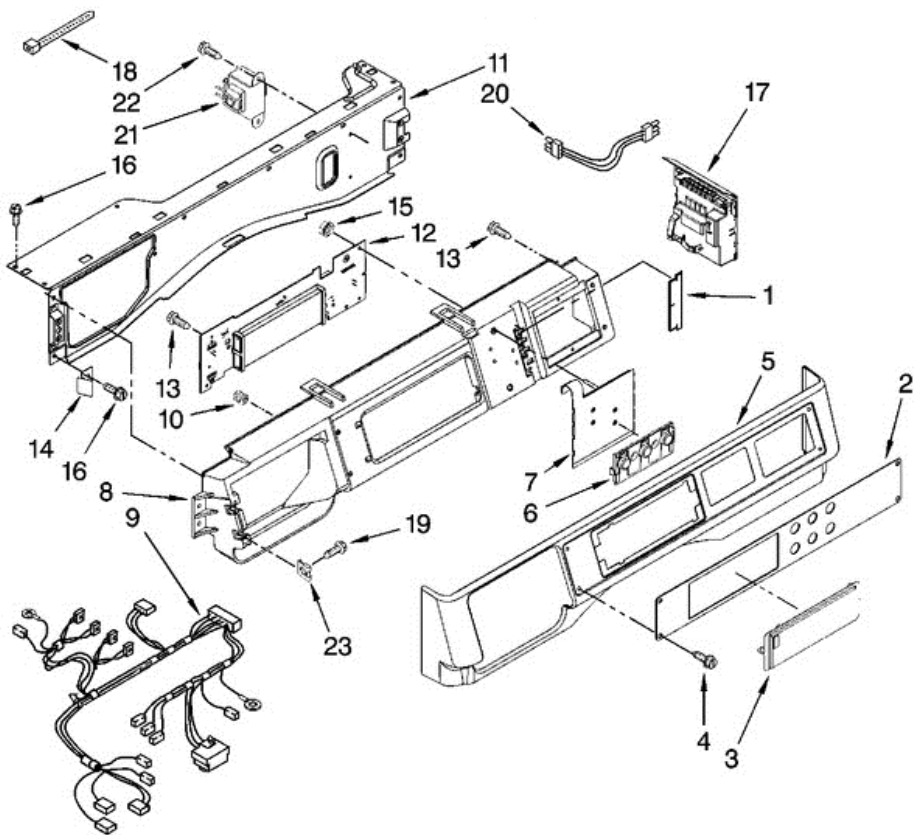




CHW9900VQ0 PUERTA

1	W10130455	BELLOW
2	8540108	CLAMP, BELLOW
3	W10153867	LOCK, DOOR
4	8540725	SCREW
5	8540221	HOOK, DOOR
6	W10117474	HANDLE, DOOR (INCLUDES ITEM 19)
7	W10112914	TRIM RING, OUTER DOOR
8	8540107	CLAMP, BELLOW (FRONT)
9	8540115	CLAMP, SUPPORT
10	8540114	CLAMP, GLASS (2)
11	8540513	SCREW
12	W10137451	FRAME, DOOR FRONT ASSEMBLY
13	W10112078	GLASS, DOOR
14	W10138523	FRAME, DOOR BACK SUPPORT
15	W10118967	HINGE, DOOR
16	8540284	SCREW
17	8540282	SCREW
18	W10015090	SCREW
19	W10112927	PAD, DOOR HANDLE

CHW9900VQ0 TABLERO

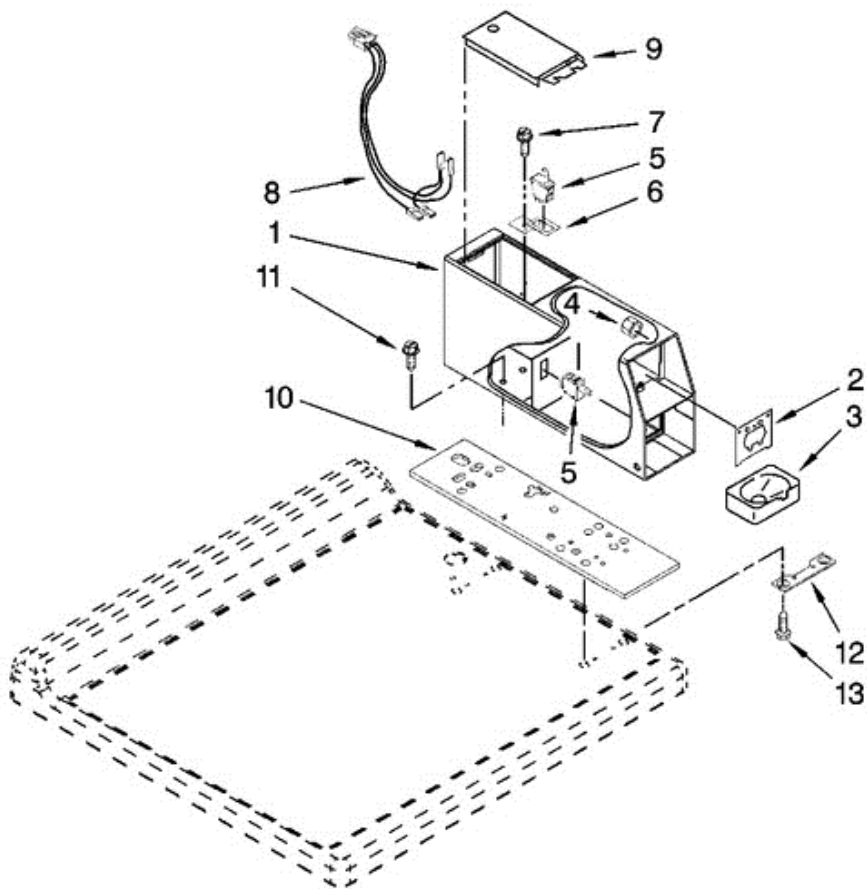




CHW9900VQ0 TABLERO

1	W10187276	SEAL, CONSOLE
2	W10137440	FACIA / OVERLAY
3	W10131114	COVER, DISPLAY
4	W10137457	SCREW, 8-32 X 1/2
5	W10137458	CONSOLE, OUTER
6	W10137455	PUSH BUTTON (2)
7	W10135255	SWITCH, MEMBRANE & BACKER PLATE ASS.
8	W10137426	CONSOLE, INNER
9	W10153921	HARNESS, WIRING (MAIN)
10	W10189313	INSERT
11	W10137396	BRACKET, CONSOLE
12	W10137415	USER INTERFACE
13	489136	SCREW, 3-24 X 3/8
14	W10137488	CLIP, CONSOLE
15	W10139046	NUT 6-32
16	W10015090	SCREW, 8-18 X 5/8
17	W10141556	MICROCOMPUTER, MACHINE CONTROL
18	3429563	CABLE TIE
19	W10131119	SCREW, 8-18 X 1/2
20	W10155149	HARNESS, WIRING (CONSOLE UIC)
21	W10131839	TRANSFORMER 120 TO 22.5 VAC
22	8540329	SCREW, 8-18 X 7/16
23	9781235	NUT, U-TYPE (2)

CHW9900VQ0 DEPOSITO MONEDAS

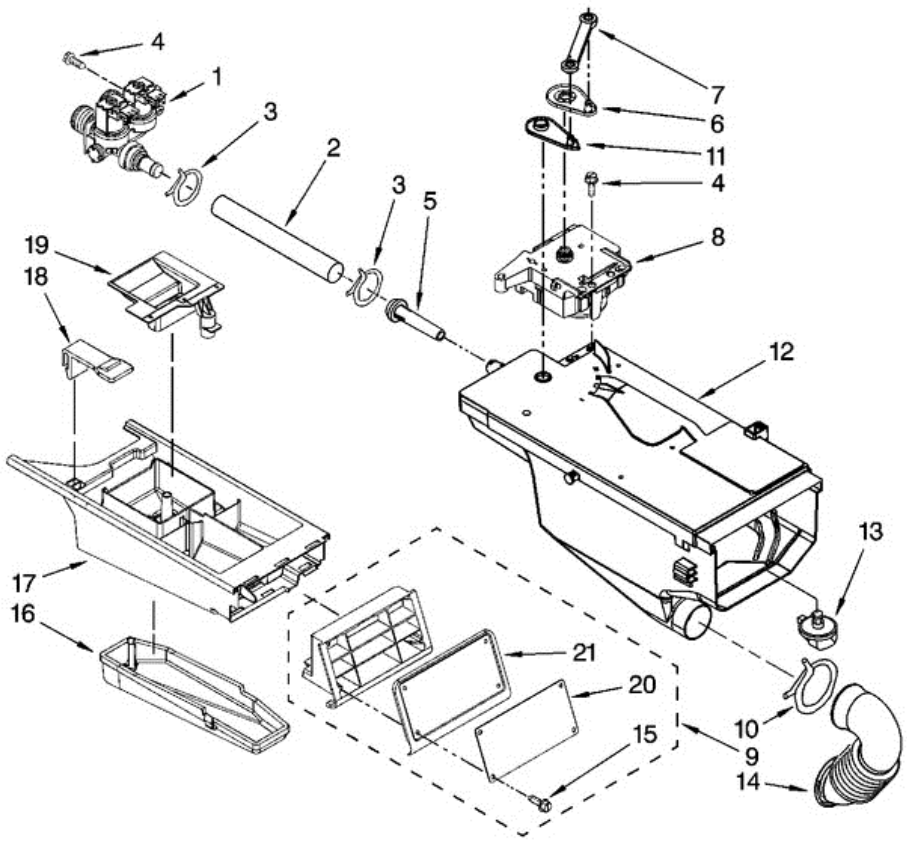




CHW9900VQ0 DEPOSITO MONEDAS

1	W10171131	METER CASE
2	3954761	PLATE, CHUTE ADAPTER ASSEMBLY (INCLUDES 3)
3	385421	FUNNEL, COIN
4	3400029	NUT, ADAPTER PLATE (3)
5	W10131838	SWITCH, VAULT & SERVICE DOOR
6	W10133508	BRACKET, SERVICE SWITCH
7	W10139210	SCREW, 8-18 X 5/16
8	W10139456	WIRE HARNESS, SENSOR SWITCH
9	3351136	SERVICE DOOR ASSEMBLY
10	W10137448	CUSHION, METER CASE
11	3349065	SCREW, 5/16-24 X 1
12	3347825	PLATE, METER CASE MOUNTING (2)
13	98445	SCREW, 10-16 X 3/4

CHW9900VQ0 DEPOSITO DETERGENTE

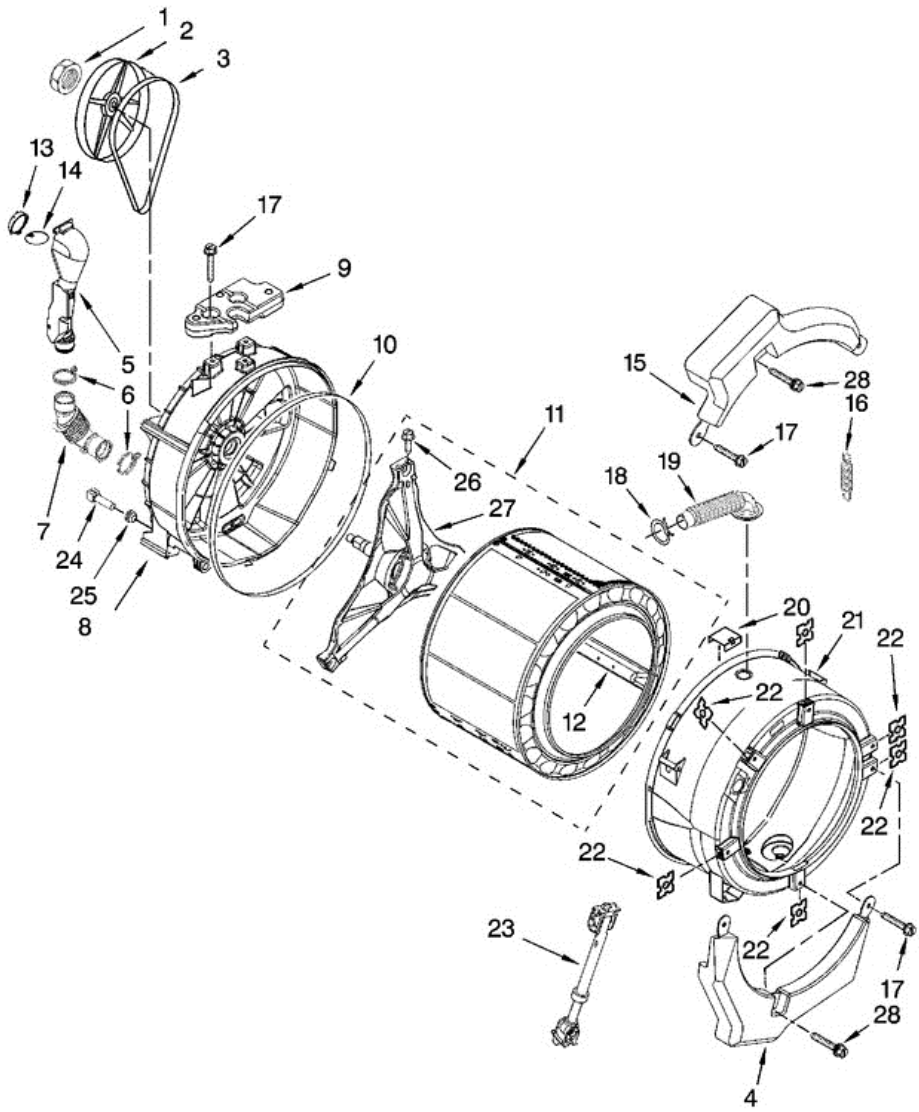




CHW9900VQ0 DEPOSITO DETERGENTE

1	8540751	VALVE, INLET
2	8540065	HOSE, VALVE TO DISPENSER
3	370450	CLAMP, HOSE
4	8540282	SCREW
5	8540042	NOZZLE, INLET
6	8540393	CAM, ACTUATOR
7	8540394	LEVER, WATER DISTRIBUTION
8	W10143587	ACTUATOR
9	W10137429	HANDLE ASSEMBLY, DRAWER
10	8281276	CLAMP, HOSE
11	8540395	CONNECTION, LEVER
12	8540058	DISPENSER
13	8540053	NOZZLE, DISTRIBUTION
14	8540063	HOSE, DISPENSER TO TUB
15	W10137456	SCREW, 8-18 X 1/2
16	8540399	COVER, DETERGENT DRAWER
17	8540402	DRAWER, DETERGENT
18	W10137402	HOOK, DRAWER
19	8540429	SIPHON, BLEACH/SOFTENER
20	W10137431	FACIA/OVERLAY, DRAWER
21	W10137460	COVER, HANDLE

CHW9900VQ0 TINA

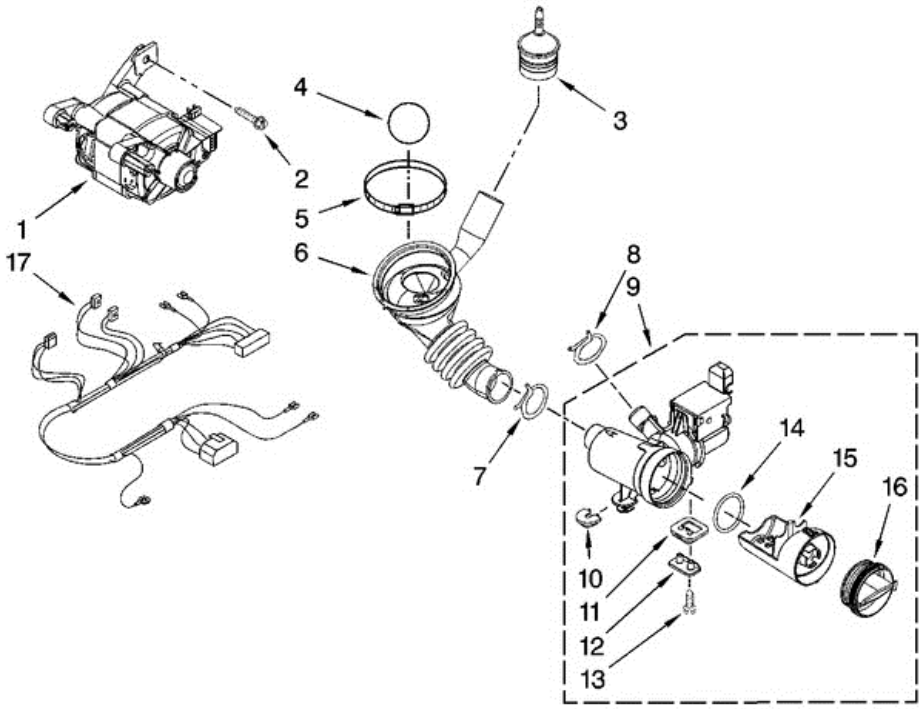




CHW9900VQ0 TINA

1	8533999	NUT, PULLEY
2	8540088C	PULLEY
3	W10116215	BELT, DRIVE
4	W10151304	COUNTERWEIGHT, FRONT LOWER
5	W10142720	PIPE, VENTILATION
6	8540010	CLAMP, VENT HOSE
7	8540019	HOSE, EXHAUST
8	W10112658	TUB, REAR (INCLUDES ITEMS 10, 21 & 22)
9	8540602	COUNTERWEIGHT, REAR
10	8540090	GASKET, TUB
11	W10165321	BASKET, COMPLETE
12	W10118982	BAFFLE, TUB
13	W10142721	CONNECTOR -VENTILATION
14	W10142722	FLAP - VENTILATION
15	W10151303	COUNTERWEIGHT, FRONT UPPER
16	W10010360	SPRING, SUSPENSION
17	W10094780	BOLT, COUNTERWEIGHT MTG.
18	3363365	CLAMP, HOSE
19	8540015	HOSE, EXHAUST
20	8540092	CLAMP, TUB
21	W10112659	TUB, FRONT (INCLUDES ITEMS 8, 10 & 22)
22	8540072	NUT, PUSH-IN
23	W10163171	SHOCK ABSORBER (3)
24	8540226	NEGATIVE THERMISTOR CONTROL
25	8540766	SEAL, RUBBER
26	8540382	SCREW
27	8540457	CROSSPIECE ASSEMBLY
28	W10174473	BOLT ASSEMBLY COUNTERWEIGHT CENTER HOLE

CHW9900VQ0 BOMBA





CHW9900VQ0 BOMBA

1	W10140579	MOTOR, DRIVE
2	8540134	BOLT, MOTOR
3	8540180	AIR TRAP
4	8540013	BALL
5	8540008	CLAMP
6	8540012	HOSE, TUB TO PUMP
7	370448	CLAMP, HOSE
8	356138	CLAMP, DRAIN HOSE
9	8540094	PUMP MOTOR ONLY (NOT ILLUSTRATED)
9	W10130913	PUMP (COMPLETE)
10	W10191886	FOOT, RUBBER (SLIDER)
11	W10191880	FOOT, RUBBER (LOCK)
12	W10190649	CAP, LOCK FOOT
13	W10167905	SCREW, 10-16 X 1.00 (2)
14	W10201457	SEAL, FILTER CAP
15	W10190647	FILTER (INCLUDES ITEMS 14 & 16)
16	W10190648	CAP, FILTER (INCLUDES ITEMS 14 & 15)
17	W10166995	HARNESS, MOTOR