

Distribuidor Autorizado

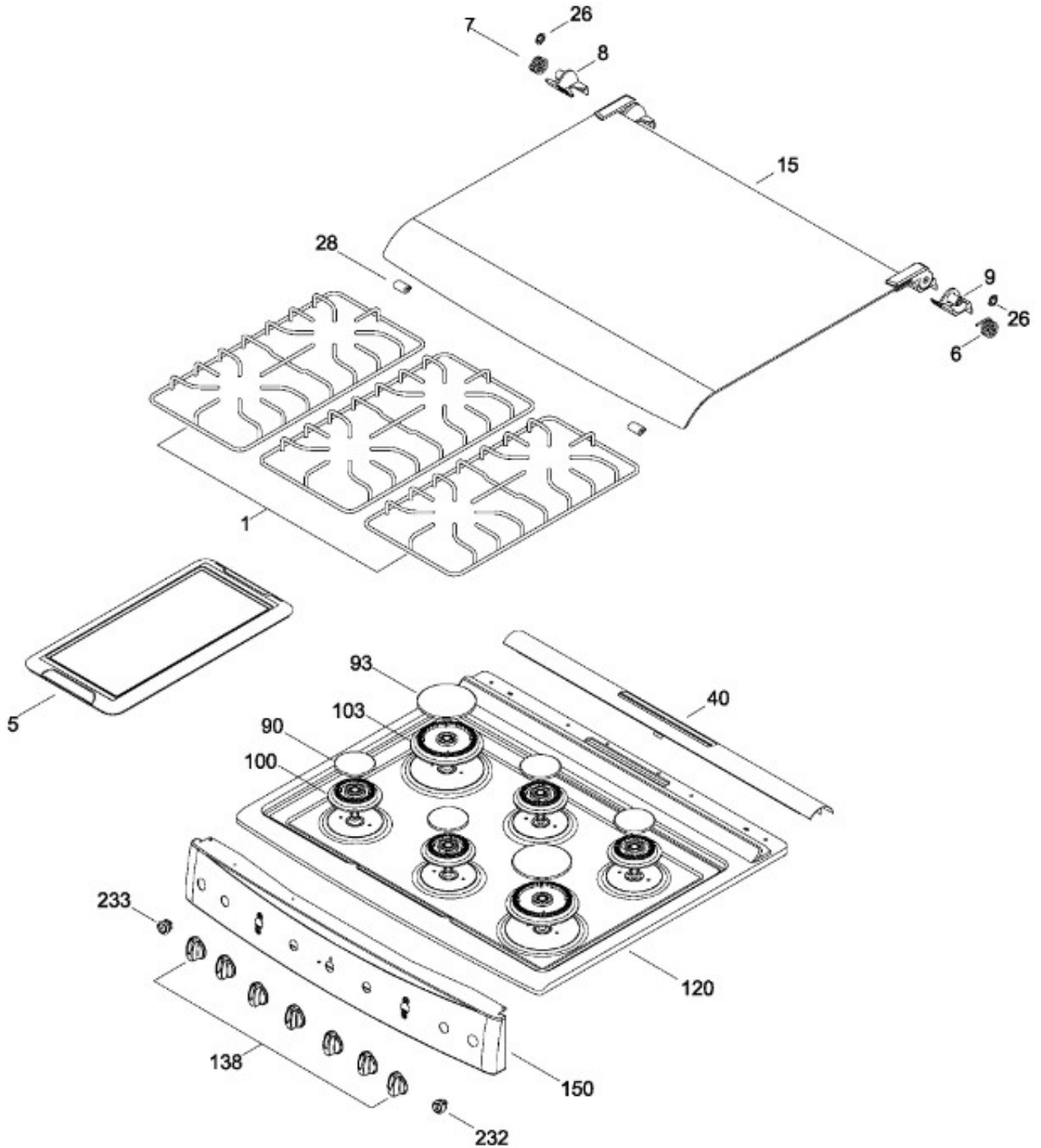
SurteRápido.com

Venta de Refacciones
Electrodomesticas

ESTUFA CMA07685CI0C

CMA07685CI0C

PANEL DE CONTROL Y CUBIERTA



Distribuidor Autorizado

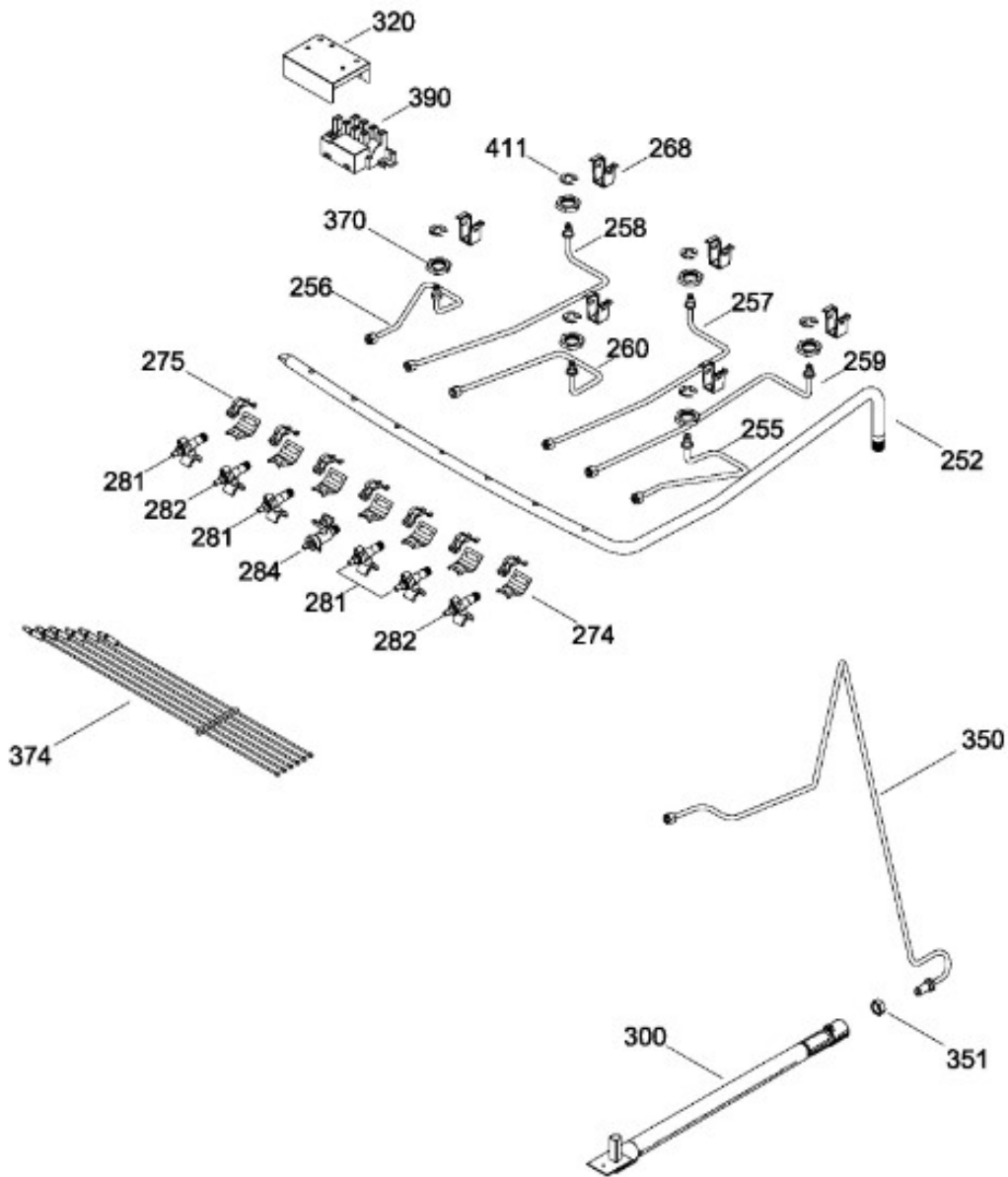
SurteRápido.com

Venta de Refacciones
Electrodomesticas

ESTUFA CMA07685CI0C

SISTEMA DE GAS

CMA07685CI0C



Distribuidor Autorizado

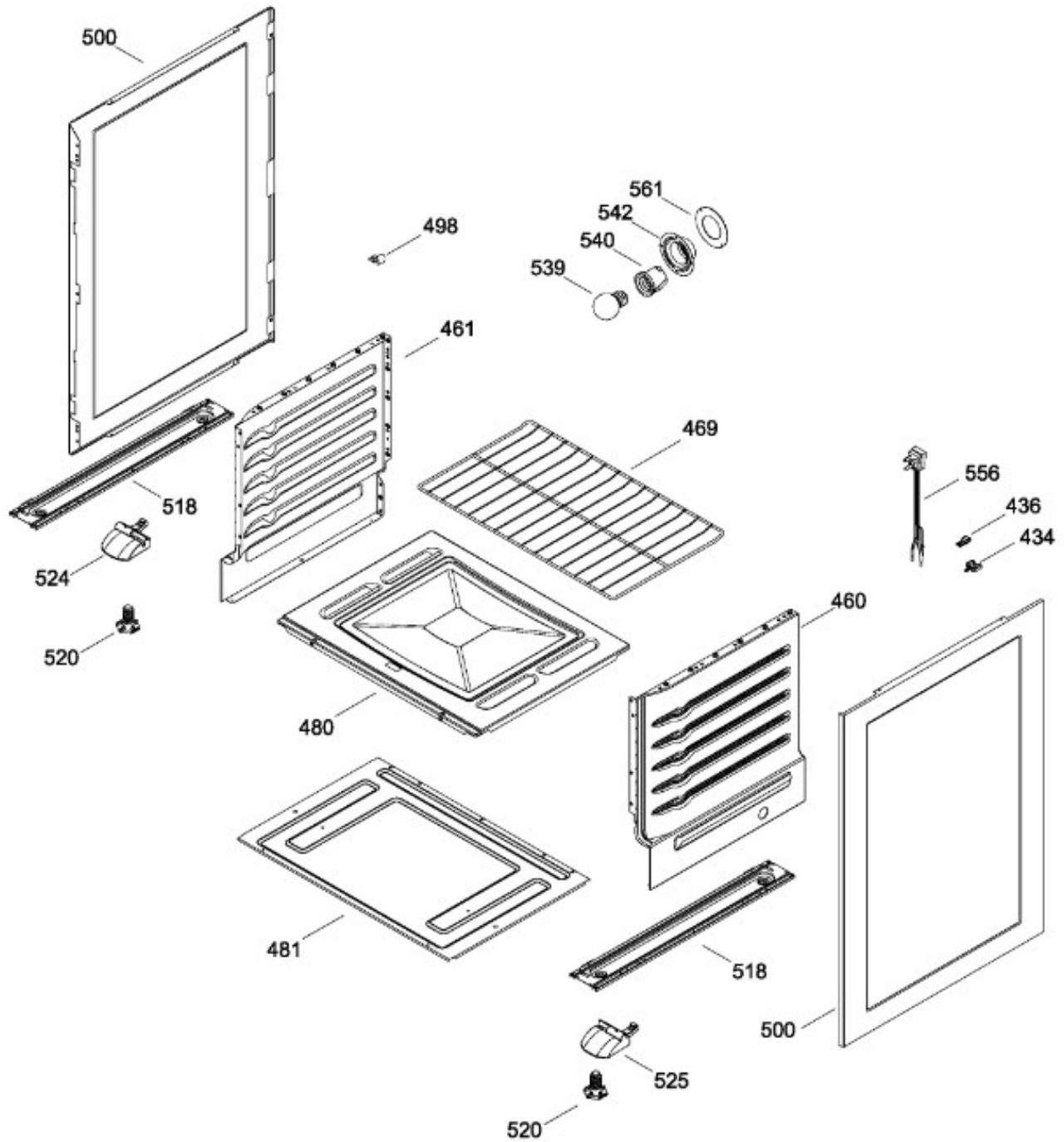
SurteRápido.com

Venta de Refacciones
Electrodomesticas

ESTUFA CMA07685CI0C

GABINETE

CMA07685CI0C



Distribuidor Autorizado

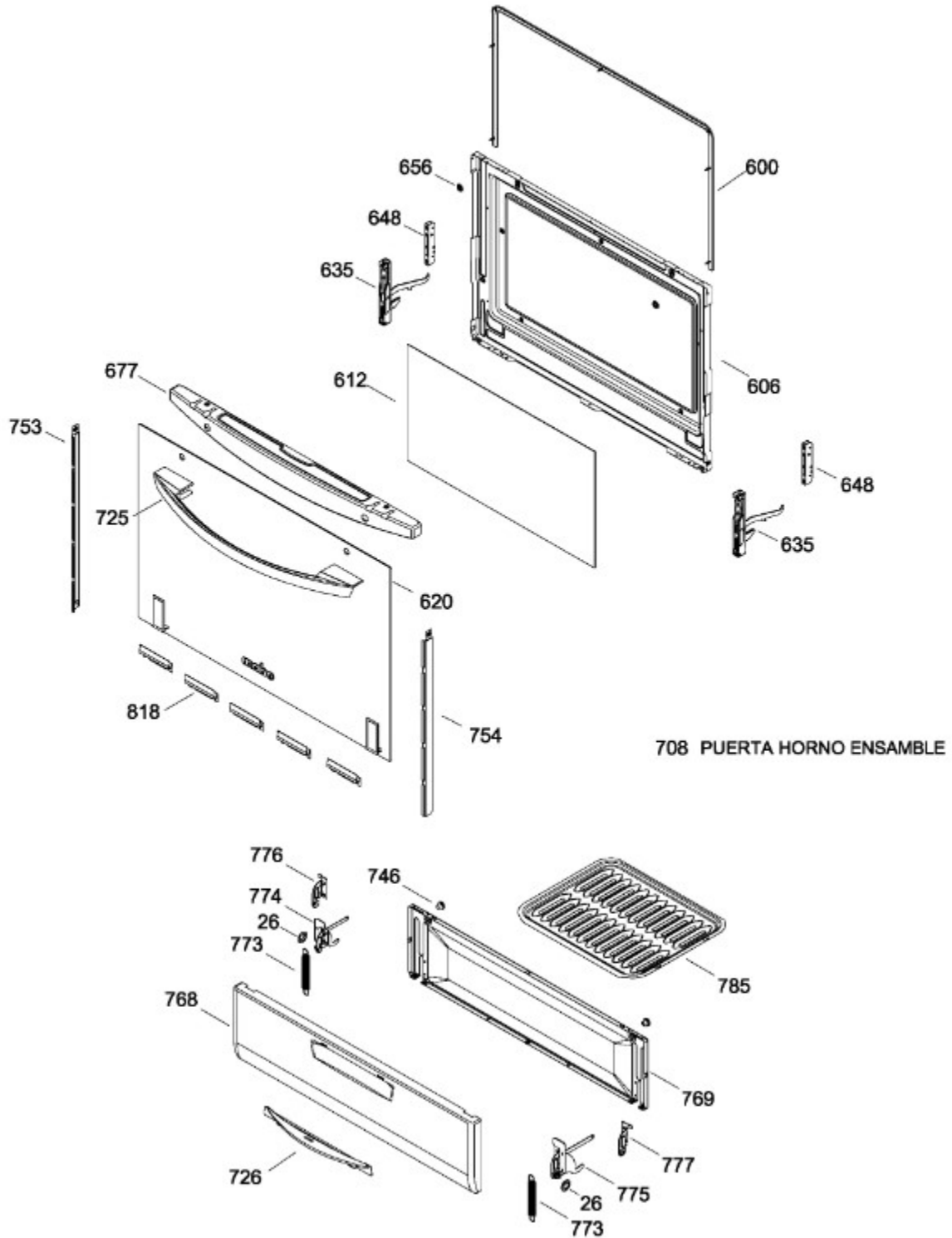
SurteRápido.com

Venta de Refacciones
Electrodomesticas

ESTUFA CMA07685CI0C

PUERTA

CMA07685CI0C



Distribuidor Autorizado

SurteRápido.com

Venta de Refacciones
Electrodomesticas

ESTUFA CMA07685CI0C

| Guía | Refacción | Descripción |
|------|------------|----------------------------|
| 1 | WS01L05419 | PARRILLA SUP. NE. |
| 5 | WS01L01671 | ENS. COMAL TROQ. |
| 5 | WS01L00532 | ENS. COMAL TROQ. |
| 5 | WS01L08236 | COMAL TROQ. ENS. NE. |
| 6 | WS01A00837 | RESORTE CAPELO |
| 6 | WS01A03118 | RESORTE CAPELO |
| 7 | WS01A00836 | RESORTE CAPELO |
| 7 | WS01A03117 | RESORTE CAPELO |
| 8 | WS01L11646 | SOPORTE BISAGRA CAPELO |
| 9 | WS01L11645 | SOPORTE BISAGRA CAPELO |
| 15 | WS01L00325 | CAPELO ESTUFA ENS. |
| 26 | WS01A01042 | TUERCA RAPIDA |
| 28 | WS01L07756 | TOPE VIDRIO CAPELO |
| 40 | WS01L03881 | MOLDURA CHIMENEA PL. |
| 90 | WS01F02507 | TAPA QUEMADOR 3 PULG. ENS. |
| 93 | WS01F02509 | TAPA QUEMADORES 4 ENS. |
| 100 | WS01F02218 | QUEMADOR ENS. 3 |
| 100 | WS01F02219 | QUEMADOR ENS. 3 |
| 103 | WS01F02220 | QUEMADOR ENS. 4 |
| 103 | WS01F02221 | QUEMADOR ENS. 4 |
| 120 | WS01L01333 | CUBIERTA SUP. INOX. |
| 138 | WS01L02019 | ENS. PERILLAS |
| 138 | WS01L14390 | ENS. PERILLAS |
| 150 | WS01L02525 | FRENTE PERILLAS GR. C/SE. |
| 150 | WS01L10499 | FRENTE PERILLAS GR. C/SE. |
| 232 | WS01F01645 | INTERRUPTOR PL. |
| 233 | WS01F01646 | INTERRUPTOR PL. |
| 233 | WS01F04170 | INTERRUPTOR PL. |
| 252 | WS01F04284 | TUBO VALVULAS ENS. |
| 255 | WS01F02912 | TUBO ALI. |
| 255 | WS01F09593 | TUBO ALI. |
| 256 | WS01F02870 | TUBO ALI. |
| 257 | WS01F02910 | TUBO ALI. |
| 258 | WS01F02908 | TUBO ALI. |
| 259 | WS01F02911 | TUBO ALI. |

Distribuidor Autorizado

SurteRápido.com

Venta de Refacciones
Electrodomesticas

ESTUFA CMA07685CI0C

| Guía | Refacción | Descripción |
|------|------------|-----------------------------|
| 260 | WS01F02909 | TUBO ALI. |
| 268 | WS01A00708 | 2OPORTE P/BUJIA CENTRAL |
| 268 | WS01A00708 | 2OPORTE P/BUJIA CENTRAL |
| 274 | WS01A01267 | ABRAZADERA SUP. |
| 274 | WS01A01471 | ABRAZADERA SUP. |
| 275 | WS01A01268 | ABRAZADERA INF. |
| 275 | WS01A01469 | ABRAZADERA INF. |
| 281 | WS01F03720 | VALVULA QUEMADOR |
| 282 | WS01F03721 | VALVULA QUEMADOR |
| 284 | WS01F04089 | VALVULA 5 POSICIONES |
| 284 | WS01F03617 | VALVULA 5 POSICIONES |
| 300 | WS01F04031 | QUEMADORES DE HORNO ENS. |
| 320 | WS01L00971 | CUBIERTA MODULO |
| 350 | WS01F02848 | TUBO ALI. HORNO |
| 351 | WS01A01030 | TUERCA |
| 370 | WS01A01130 | TUERCA ECO. |
| 374 | WS01F00832 | BUJIAS Y ARNES ENS. |
| 390 | WS01F04024 | MODULO DE ENCENDIDO |
| 390 | WS01F04212 | MODULO DE ENCENDIDO |
| 390 | WS01F02040 | MODULO DE ENCENDIDO 6+0 |
| 390 | WS01F02040 | MODULO DE IGNICION |
| 411 | WS01A01115 | ANILLO DE RETENCION |
| 434 | WS01A00870 | CLIP ARNES ALEGRE |
| 436 | WS01A01072 | GRAPA P/CABLE TOMACORRIENTE |
| 460 | WS01L09121 | LATERAL HORNO CA. |
| 461 | WS01L09120 | LATERAL HORNO CA. |
| 469 | WS01L05299 | PARRILLA HORNO |
| 480 | WS01L06162 | PISO HORNO PY. |
| 481 | WS01L06169 | PISO ESTUFA |
| 498 | WS01A01243 | ABRAZADERA |
| 500 | WS01L03542 | LATERAL ESTUFA GR. |
| 518 | WS01A00556 | SOPORTE BASE (PATIN) |
| 520 | WS01L05470 | PATA NIVELADORA |
| 524 | WS01L05469 | PATA ESTUFA |
| 524 | WS01L05467 | PATA ESTUFA |

Distribuidor Autorizado

SurteRápido.com

Venta de Refacciones
Electrodomesticas

ESTUFA CMA07685CI0C

| Guía | Refacción | Descripción |
|------|------------|-----------------------------|
| 525 | WS01L05468 | 3TA ESTUFA |
| 525 | WS01L05466 | 3TA ESTUFA |
| 525 | WS01L12856 | PATA ESTUFA |
| 539 | WS01F01688 | LAMPARA DE HORNO |
| 539 | WS01F01495 | LAMPARA DE HORNO |
| 540 | WS01F02438 | SOCKET P/LAMP |
| 542 | WS01A00625 | SOPORTE SOCKET P/LAMP |
| 556 | WS01F04302 | ARNES PRINCIPAL |
| 561 | WS01L07526 | SELLO LAMPARA HORNO |
| 600 | WS01L07569 | SELLO PUERTA HORNO ENS. |
| 606 | WS01L00619 | CONTRAPUERTA DE HORNO PIRO |
| 612 | WS01L07919 | VIDRIO PUERTA |
| 620 | WS01L07909 | VIDRIO PLANO ENS. |
| 635 | WS01L00218 | BISAGRA PUERTA HORNO |
| 648 | WS01L00588 | CONTRABISAGRA |
| 656 | WS01A01041 | RONDANA DE PRESION |
| 677 | WS01L06255 | PORTAJALADERA GR. |
| 708 | WS01L06695 | PUERTA DE VIDRIO PLANO ENS. |
| 725 | WS01L03210 | JALADERA |
| 726 | WS01L03325 | JALADERA POCKET |
| 746 | WS01L07751 | TOPE NE. |
| 753 | WS01L04517 | MOLDURA LATERAL PUERTA GR. |
| 753 | WS01L04509 | MOLDURA LATERAL PUERTA GR. |
| 754 | WS01L04516 | MOLDURA LATERAL PUERTA GR. |
| 754 | WS01L04508 | MOLDURA LATERAL PUERTA GR. |
| 768 | WS01L06843 | PUERTA PLANA ASADOR GR. |
| 769 | WS01L00775 | CPTA CAJON ASADOR PY. |
| 773 | WS01A01129 | RESORTE PUERTA CAJON |
| 774 | WS01L00159 | BISAGRA ASADOR ENS. |
| 775 | WS01L00160 | BISAGRA ASADOR ENS. |
| 776 | WS01A00579 | SOPORTE BISAGRA |
| 777 | WS01A00580 | SOPORTE BISAGRA |
| 785 | WS01L08753 | TAPA ASADOR PY. |
| 785 | WS01L00373 | TAPA ASADOR PY. |
| 818 | WS01A00983 | SOPORTE CRISTAL INF. |