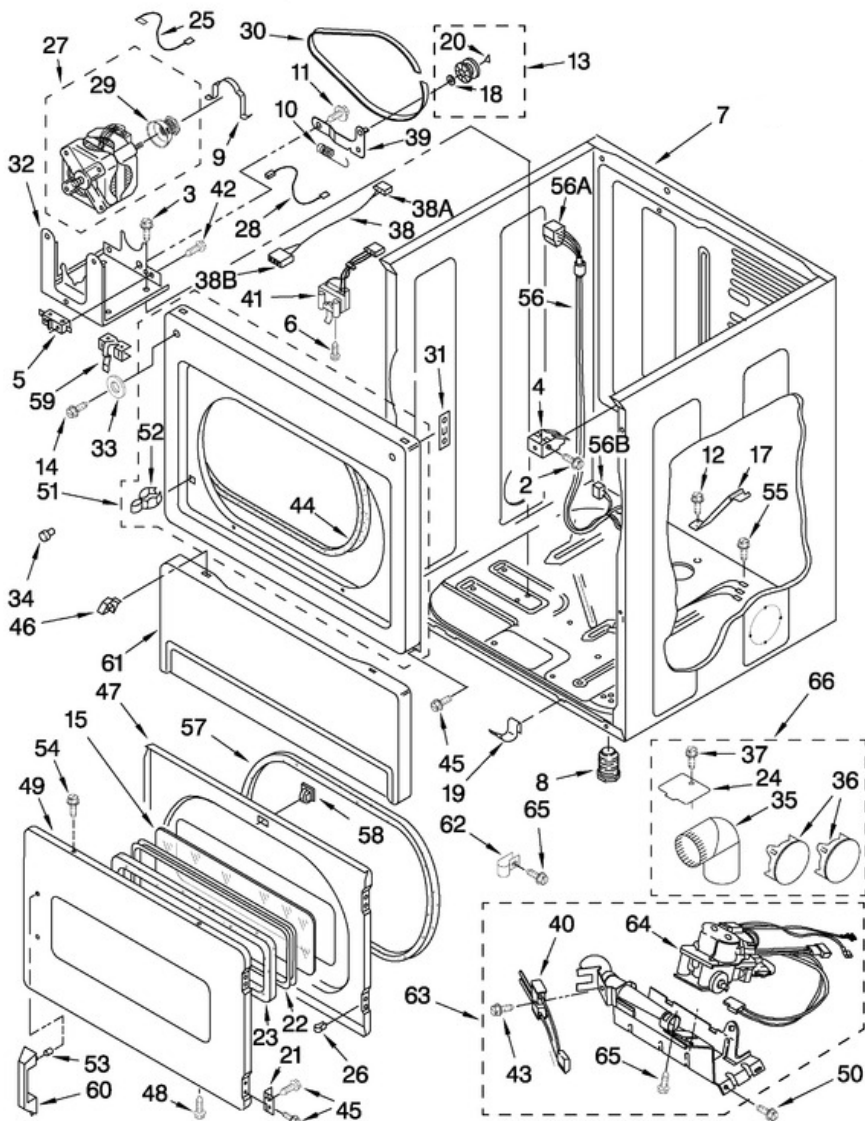


Distribuidor Autorizado

SurteRápido.com

Venta de Refacciones
Electrodomesticas

CSP2761TQ0 GABINETE





CSP2761TQ0 GABINETE

2	3391915	SCREW, 10-16 X 1 (S/P)
3	3390663	SCREW, 10-16 X 1/2 (S/P)
4	3391846	CLIP, FRONT PANEL (2) (S/P)
5	279782	SWITCH, BROKEN BELT (S/P)
6	697773	SCREW, 6-20 X 7/8 (S/P)
7	8310656	CABINET, LOWER (S/P)
8	3392100	FOOT, DRYER PLASTIC (4)
9	660658	CLAMP, MOTOR (2) (S/P)
10	3387374	SPRING, IDLER (S/P)
11	3389420	RETAINER, IDLER (S/P)
12	693995	SCREW, 8-18 X 3/8 (S/P)
13	279640	PULLEY ASSEMBLY
14	3393258	SCREW, 10-16 X 1/2 (S/P)
15	3396122	WINDOW (S/P)
17	8529757	BRACKET, BURNER (S/P)
18	W10121334	WASHER, THURST (S/P)
19	297092	CLIP (2)
20	690997	TRI-RING (S/P)
21	3389247	HINGE AND PIN (2) (S/P)
22	3392914	FRAME, WINDOW (S/P)
23	3392915	GASKET, WINDOW (S/P)
24	3394331	PLATE COVER (BOTTOM EXHAUST) (S/P)
25	3398948	WIRE, JUMPER (S/P)
26	3389249	NUT, ``U`` (4) (S/P)
27	8539557	MOTOR ASSEMBLY (60 HZ.) (S/P)
28	W10167612	WIRE, JUMPER (S/P)
29	8066184	PULLEY 60 HZ (S/P)
30	661570	BELT, DRIVE
31	3390902	CLIP, DOOR HINGE (2) (S/P)
32	3387118	BRACKET, MOTOR (S/P)
33	4159590	WASHER (S/P)
34	693152	BUMPER (S/P)
35	49026	4`-90 ELBOW (S/P)

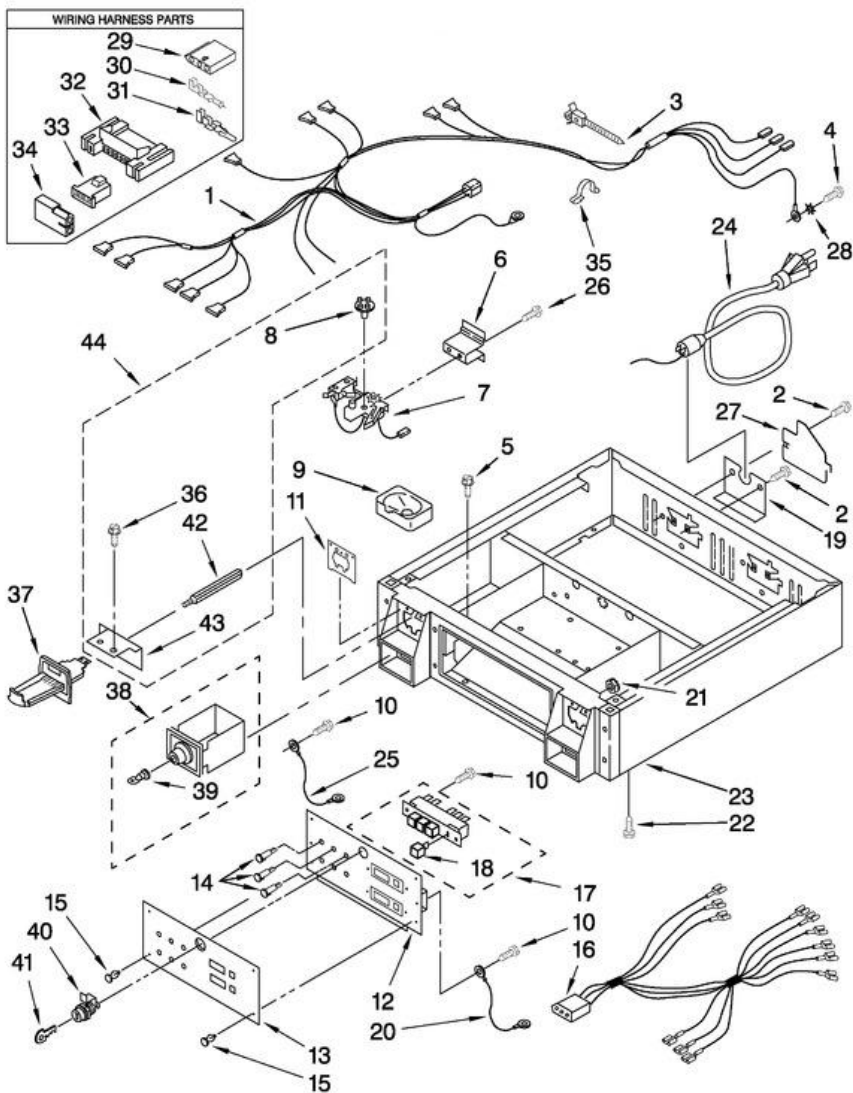
36	W10186596	PLUG-MULTIVENT (S/P)
37	488729	SCREW (S/P)
38	717253	PLUG, 2-WAY (S/P)
38	8283298	JUMPER, DOOR SWITCH (S/P)
38	3936144	CONNECTOR (S/P)
39	W10118756	BRACKET, IDLER (S/P)
40	279311	IGNITOR
41	3406107	DOOR SWITCH ASSEMBLY
42	98129	SCREW, 6-20 X 1 1/16 (S/P)
43	3393909	SCREW, 8-32 X 3/4 (S/P)
44	3387242	SEAL, FRONT PANE
45	342055	SCREW, 8-18 X 1/2 (S/P)
46	3388229	RETAINER
47	W10244331	DOOR, REAR (S/P)
48	694091	SCREW, 8-18 X 3/8 (S/P)
49	W10205649	DOOR, FRONT (S/P)
50	343641	SCREW, 10-16 X 1/2 (S/P)
51	279722	UPPER FRONT PANEL (S/P)
52	279570	STRIKE, DOOR
53	3393933	FASTENER (S/P)
54	718032	SCREW, 8-18 X 3/4
55	3390647	SCREW, 8-18 X 1/2 (S/P)
56	717252	RECEPTACLE (S/P)
56	8529990	HARNESS (LOWER) (S/P)
56	3390423	PLUG, MULT-TERMINAL DESCONTINUADO
57	3390735	SEAL, DOOR (S/P)
58	279570	CATCH, DOOR ASSEMBLY
59	8066120	LEVER, SNAP SWITCH (S/P)
60	W10213202	HANDLE, DOOR (S/P)
61	3406797	PANEL, TOE (INCLUDES ILLUS. 34) (S/P)
62	3387561	CLAMP-PIPE DESCONTINUADO
63	285904	BURNER ASSEMBLY 60 HZ. (S/P)
64	279923	VALVE, GAS (COMPLETE) 60 HZ
65	3387057	SCREW, 8-18 X 3/8 (S/P)
66	W10186596	DRYER EXHAUST KIT (S/P)

Distribuidor Autorizado

SurteRápido.com

Venta de Refacciones
Electrodomesticas

CSP2761TQ0 TABLERO





CSP2761TQ0 TABLERO

1	8283295	HARNESS, WIRE (2) (S/P)
2	3400000	SCREW, 10-24 X 3/8 (S/P)
3	3391018	TIE, CABLE (S/P)
4	697776	SCREW, 10-32 X 5/8 (S/P)
5	98139	SCREW, 8-32 X 5/16 (S/P)
6	3390115	BRACKET, TIMER (2) (S/P)
7	279737	TIMER (INCLUDES 4-PIN CAM) (2) (S/P)
8	343777	CAM (6-PIN (30 MIN.)) (S/P)
8	3387974	CAM (3-PIN (60 MIN.)) (S/P)
8	339853	CAM (12-PIN (15 MIN.)) (S/P)
8	339854	CAM (9-PIN (20 MIN.)) (S/P)
8	339855	CAM (4-PIN (45 MIN.)) (S/P)
9	385421	FUNNEL, COIN (2) (S/P)
10	303921	SCREW, 8-32 X 3/8 (S/P)
11	279950	PLATE, CHUTE ADAPTER (2) (S/P)
12	3979100	PANEL, CONTROL (S/P)
13	8565384	INSERT, DECORATIVE (S/P)
14	3979325	LAMP, INDICATOR (RED) (S/P)
14	3979326	LAMP, INDICATOR (AMBER) (S/P)
14	3979327	LAMP, INDICATOR (BLUE) (S/P)
15	354239	RIVET (4) (S/P)
16	8283296	WIRE JUMPER (2) (LIGHT & SWITCH) (S/P)
17	8316437	SWITCH, PUSHBUTTON (2) (S/P)
18	8316433	PUSHBUTTON (S/P)
19	3390189	STRAIN RELIEF (S/P)
20	3401699	JUMPER WIRE (S/P)
21	3400029	NUT, 10-32 (6) (S/P)
22	3400500	BOLT, 5-16 X 18 (2) (S/P)
23	3978853	COLLAR (S/P)
24	3401402	CORD, POWER
25	3401699	JUMPER WIRE (GROUND) (S/P)
26	3400094	SCREW, 10-32 X 3/8 (S/P)
27	3396795	COVER, TERMINAL BLOCK (2) (S/P)

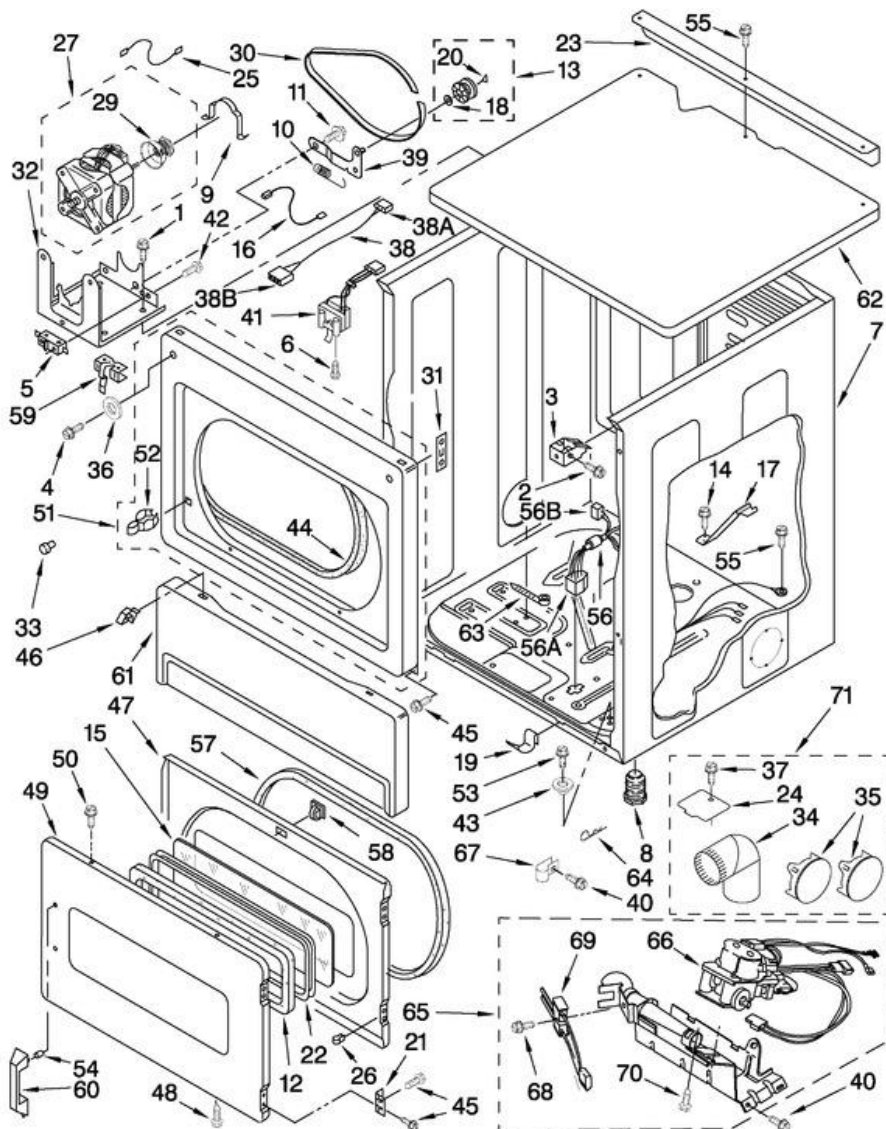
28	3390443	RETAINER, TERMINAL (2) (S/P)
29	353424	CONNECTOR, SENSOR (S/P)
30	94614	TERMINAL (FEMALE) (S/P)
31	94613	TERMINAL (S/P)
32	3395683	CONNECTOR, MOTOR (S/P)
33	3403498	CONNECTOR, (3-POSITION) GAS VALVE (S/P)
34	3403499	CONNECTOR, (2-POSITION) GAS VALVE (S/P)
35	98997	CLIP, HARNESS (S/P)
36	96435	SCREW, 10-32 X 3/8 (S/P)
37	8316520	SLIDE MECHANISM (VERTICAL 8-COIN) (S/P)
37	8316264	BLANK (S/P)
38	8316525	MONEY BOX W/LOCK (S/P)
39	*****	KEY (MONEY BOX) (S/P)
40	8316526	SECURITY LOCK/KEY AND CAM ASSEMBLY (S/P)
41	*****	KEY (SERVICE DOOR) (S/P)
42	8318517	BOLT, SLIDE MECHANISM (S/P)
43	3390424	SLIDE EXTENSION (S/P)
44	3390615	SCREW & CAM BAG (S/P)

Distribuidor Autorizado

SurteRápido.com

Venta de Refacciones
Electrodomesticas

CSP2761TQ0 GABINETE





CSP2761TQ0 GABINETE

1	3390663	SCREW, 10-16 X 1/2 (S/P)
2	3391915	SCREW, 10-16 X 1 (S/P)
3	3391846	CLIP, FRONT PANEL (2) (S/P)
4	3393258	SCREW, 10-16 X 1/2 (S/P)
5	279782	SWITCH, BROKEN BELT (S/P)
6	697773	SCREW, 6-20 X 7/8 (S/P)
7	280024	CABINET (UPPER) (S/P)
8	689172	FOOT, DRYER PLASTIC (2) (S/P)
9	660658	CLAMP, MOTOR (2) (S/P)
10	3387374	SPRING, IDLER (S/P)
11	3389420	RETAINER, IDLER (S/P)
12	3392915	GASKET, WINDOW (S/P)
13	279640	PULLEY ASSEMBLY
14	693995	SCREW, 8-18 X 3/8 (S/P)
15	3396122	WINDOW (S/P)
16	W10167612	WIRE, BELT SWITCH (S/P)
17	8529757	BRACKET, BURNER (S/P)
18	W10121334	WASHER, THRUST (S/P)
19	297092	CLIP (2)
20	690997	TRI-RING (S/P)
21	3389247	HINGE AND PIN (2) (S/P)
22	3392914	FRAME, WINDOW (S/P)
23	3979115	BRACKET, ANGLE (S/P)
24	3394331	PLATE, COVER (BOTTOM EXHAUST) (S/P)
25	3398948	WIRE, JUMPER (S/P)
26	3389249	NUT, ``U`` (4) (S/P)
27	8539557	MOTOR ASSEMBLY 60 HZ. (S/P)
29	W10299847	PULLEY (60 HZ.) (S/P)
30	661570	BELT, DRIVE
31	3390902	CLIP, DOOR HINGE (2) (S/P)
32	3387118	BRACKET, MOTOR (S/P)
33	693152	BUMPER (S/P)
34	49026	4``-90° ELBOW (S/P)

35	W10186596	PLUG-MULTIVENT (S/P)
36	4159590	WASHER (S/P)
37	488729	SCREW (S/P)
38	3936144	CONNECTOR (S/P)
38	8283298	JUMPER, DOOR SWITCH (S/P)
38	717253	PLUG, 2-WAY (S/P)
39	W10118756	BRACKET, IDLER (S/P)
40	343641	SCREW, 10-16 X 1/2 (S/P)
41	3406107	DOOR SWITCH ASSEMBLY
42	98129	SCREW, 6-20 X 1 1/16 (S/P)
43	3389233	BUSHING (S/P)
44	3387242	SEAL, FRONT PANEL
45	342055	SCREW, 8-18 X 1/2 (S/P)
46	3388229	RETAINER
47	W10244331	DOOR, REAR (S/P)
48	694091	SCREW, 8-18 X 3/8 (S/P)
49	W10205649	DOOR, FRONT (S/P)
50	718032	SCREW, 8-18 X 3/4
51	279722	UPPER FRONT PANEL (S/P)
52	279570	STRIKE, DOOR
53	285875	SCREW, SECURITY (INCLUDES ILLUS. 64) (S/P)
54	3393933	FASTENER (S/P)
55	3390647	SCREW, 8-18 X 1/2 (S/P)
56	717252	RECEPTACLE (S/P)
56	8529989	HARNESS (UPPER) (S/P)
56	3390423	PLUG, MULTI-TERMINAL DESCONTINUADO
57	3390735	SEAL, DOOR (S/P)
58	279570	CATCH, DOOR ASSEMBLY
59	8066120	LEVER, SNAP SWITCH (S/P)
60	W10213202	HANDLE, DOOR (S/P)
61	3406797	PANEL, TOE (INCLUDES ILLUS. 33) (S/P)
62	3389351	TOP (UPPER) (S/P)
63	3391018	TIE, CABLE (S/P)
64	W10117347	COTTER PIN (S/P)
65	285904	BURNER ASSEMBLY 60 HZ. (S/P)
66	279923	VALVE, GAS (COMPLETE) 60 HZ.
67	3387561	CLAMP, PIPE DESCONTINUADO
68	3393909	SCREW, 8-32 X 7/8 (S/P)

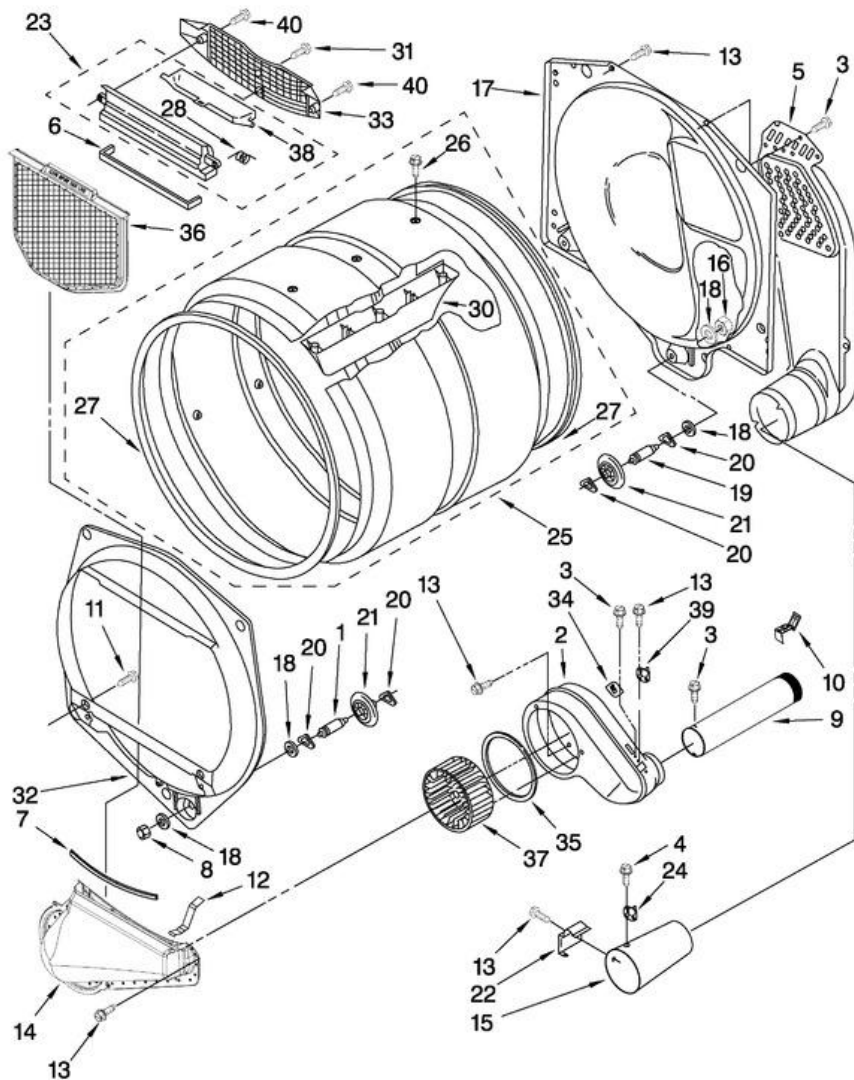
69	279311	IGNITOR
70	3387057	SCREW, 8-18 X 3/8 (S/P)
71	W10186596	DRYER EXHAUST KIT (S/P)

Distribuidor Autorizado

SurteRápido.com

Venta de Refacciones
Electrodomesticas

CSP2761TQ0 TAMBOR



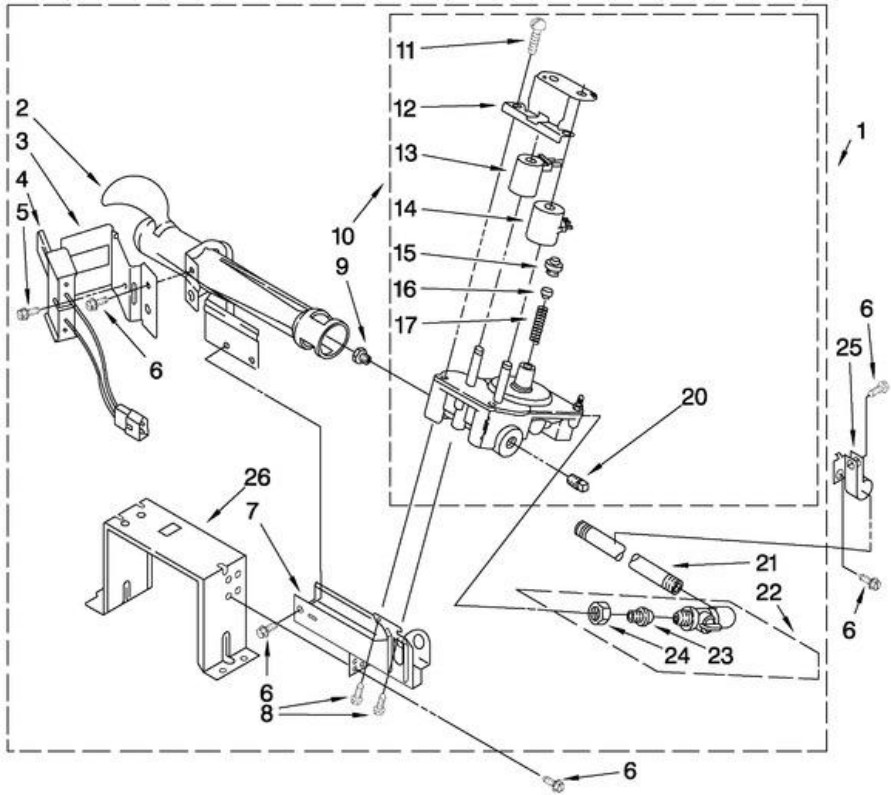


CSP2761TQ0 TAMBOR

1	8575324	SHAFT, R.H. THREAD (S/P)
2	W10119255	HOUSING, BLOWER (S/P)
3	8533971	SCREW, 8-18 X 5/16 (S/P)
4	90767	SCREW, 8-18 X 3/8 (S/P)
5	3394346	AIR DUCT ASSEMBLY (S/P)
6	697813	SEAL, OUTLET HOUSING (S/P)
7	697813	SEAL, DRUM FRONT (S/P)
8	W10080210	NUT, 3/8 X 16 (R.H.) (S/P)
9	279936	EXHAUST PIPE (S/P)
10	8572105	CLIP, EXHAUST (S/P)
11	3357011	SCREW, 10-16 X 1/2 (S/P)
12	8066208	CLIP-SPRING (S/P)
13	3390647	SCREW, 8-18 X 1/2 (S/P)
14	W10128606	LINT DUCT ASSEMBLY (S/P)
15	8066047	FUNNEL, BURNER (S/P)
16	W10080190	NUT, 3/8-16 (L.H.) (S/P)
17	3387809	BULKHEAD, REAR (S/P)
18	W10080960	WASHER, SUPPORT (S/P)
19	W10359272	SHAFT, L.H. THREAD (S/P)
20	690997	RING, TRI (S/P)
21	W10314173	ROLLER, SUPPORT (S/P)
22	338906	SENSOR, RADIANT
23	8563755	HOUSING, OUTLET (S/P)
24	3391912	THERMOSTAT 255° (124°C) (S/P)
25	W10197999	DRUM COMPLETE (S/P)
26	W10219342	SCREW, 8-16 X 1/2 (S/P)
27	280114	SEAL, DRUM (S/P)
28	3394986	SPRING, LINT SCREEN (S/P)
30	W10113136	BAFFLE, DRUM (3) (S/P)
31	487909	SCREW, 8-15 X 1/2 (S/P)
32	697557	BULKHEAD, FRONT (S/P)
33	8299979	GRILLE, OUTLET (S/P)
34	3392519	THERMAL FUSE

35	697770	SEAL, COVER PLATE (S/P)
36	W10120998	SCREEN, LINT
37	W10349492	WHEEL, BLOWER (S/P)
38	8563758	DOOR, LINT SCREEN (S/P)
39	3387138	THERMOSTAT, INTERNAL-BIAS (S/P)
40	3387230	SCREW, 10-16 X 13/16 (S/P)

CSP2761TQ0 QUEMADOR





CSP2761TQ0 QUEMADOR

1	285904	BURNER ASSEMBLY 60 HZ. (TYPE 1, 2 & 3) (S/P)
2	693140	TUBE, BURNER (S/P)
3	694298	BRACKET, IGNITOR (S/P)
4	279311	IGNITOR
5	3393909	SCREW & WASHER (8-32 X 5/8) (S/P)
6	343641	SCREW, 10-16 X 1/2 (S/P)
7	3389871	BASE, BURNER DESCONTINUADO
8	3387057	SCREW, 10-16 X 1/2 (3) (S/P)
9	15775	ORIFICE, BURNER (TYPE 2) DESCONTINUADO
9	3397656	ORIFICE, BURNER (TYPE 1) DESCONTINUADO
10	279923	VALVE, GAS 60 HZ. (COMPLETE)
11	694421	SCREW, 8-32 X 1/2 (2) (S/P)
12	694538	BRACKET, COIL (S/P)
13	694540	COIL, 60 HZ. (2 TERMINAL) (MAIN) (S/P)
14	694539	COIL, 60 HZ.(SPLIT) (3 TERMINAL) (S/P)
15	694424	LEAK, LIMITER (S/P)
16	694423	SCREW, REGULATOR ADJUSTMENT (S/P)
17	694422	SPRING, REGULATOR (S/P)
20	239822	PLUG, PIPE DESCONTINUADO
21	696237	PIPE, GAS SUPPLY DESCONTINUADO
22	697441	VALVE & UNION SHUT-OFF (S/P)
23	3393767	PIPE, TAIL (S/P)
24	233076	NUT, COMPRESSION (S/P)
25	3387561	CLAMP, PIPE DESCONTINUADO
26	3389889	BRACKET, SUPPORT DESCONTINUADO
NI	49572	CONVERSION KIT