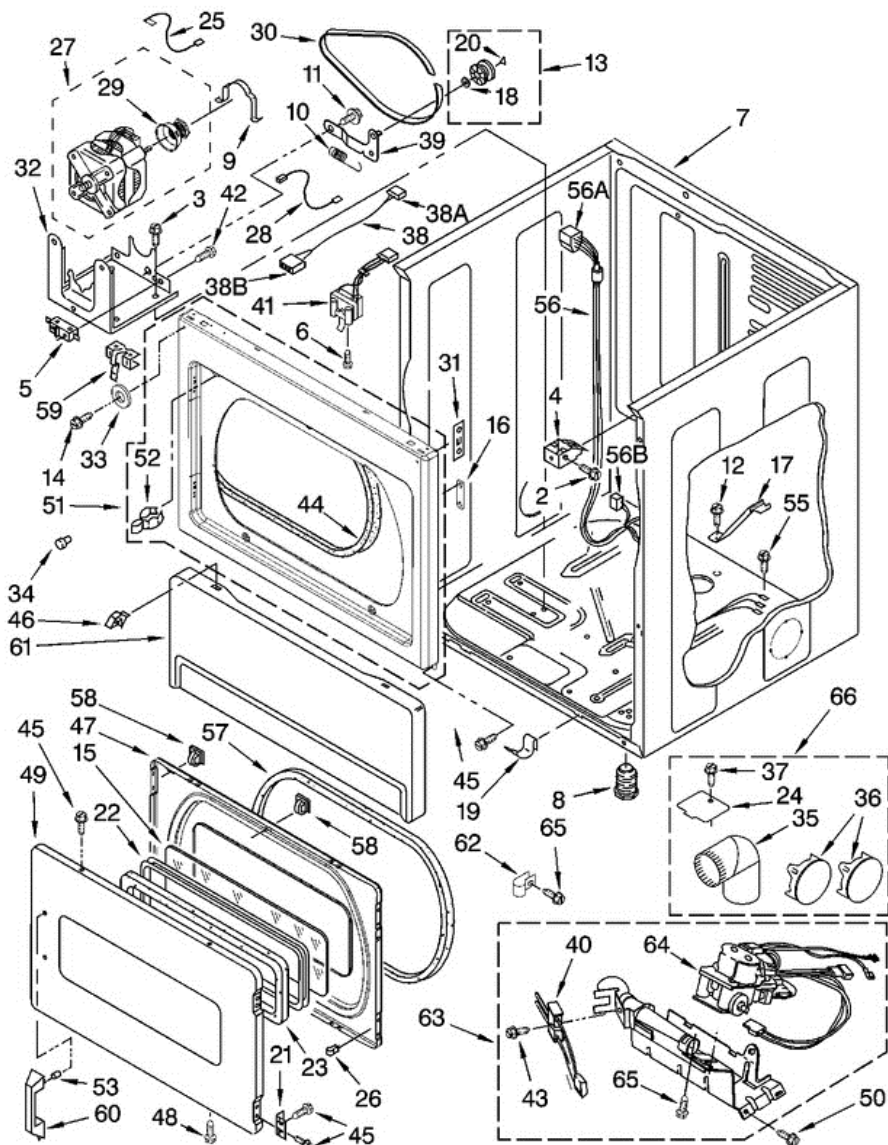


Distribuidor Autorizado

SurteRápido.com

Venta de Refacciones
Electrodomesticas

CSP2761TQ2 GABINETE INFERIOR





CSP2761TQ2 GABINETE INFERIOR

2	3391915	SCREW, 10-16 X 1
3	3390663	SCREW, 10-16 X 1/2
4	3391846	CLIP, FRONT PANEL (2)
5	3394881	SWITCH, BROKEN BELT
6	697773	SCREW, 6-20 X 7/8
7	8310656	CABINET, LOWER
8	3392100	FOOT, DRYER (PLASTIC) (4)
9	660658	CLAMP, MOTOR (2)
10	3387374	SPRING, IDLER
11	3389420	RETAINER, IDLER
12	693995	SCREW, 8-18 X 3/8
13	3388672	PULLEY ASSEMBLY
14	3393258	SCREW, 10-16 X 1/2
15	3392918	WINDOW (NOT SHOWN PART 3396122, WINDOW PACK. INCLUDES ILLUS.15 & 23)
16	W10191265	PLUG, HINGE HOLE SCREW
17	8529757	BRACKET, BURNER
18	W10121334	WASHER, THURST
19	297092	CLIP (2)
20	690997	TRI RING
21	3389247	HINGE AND PIN (2)
22	3392914	FRAME, WINDOW
23	3392915	GASKET, WINDOW
24	3394331	PLATE COVER (BOTTOM EXHAUST)
25	3398948	WIRE, JUMPER
26	3389249	NUT, ``U`` (4)
27	8538264	MOTOR ASSEMBLY (60 HZ.)
28	W10167612	WIRE, JUMPER
29	8066184	PULLEY 60 HZ.
30	3387610	BELT, DRIVE
31	3390902	CLIP, DOOR HINGE (2)
32	3387118	BRACKET, MOTOR
33	3392186	WASHER
34	693152	BUMPER

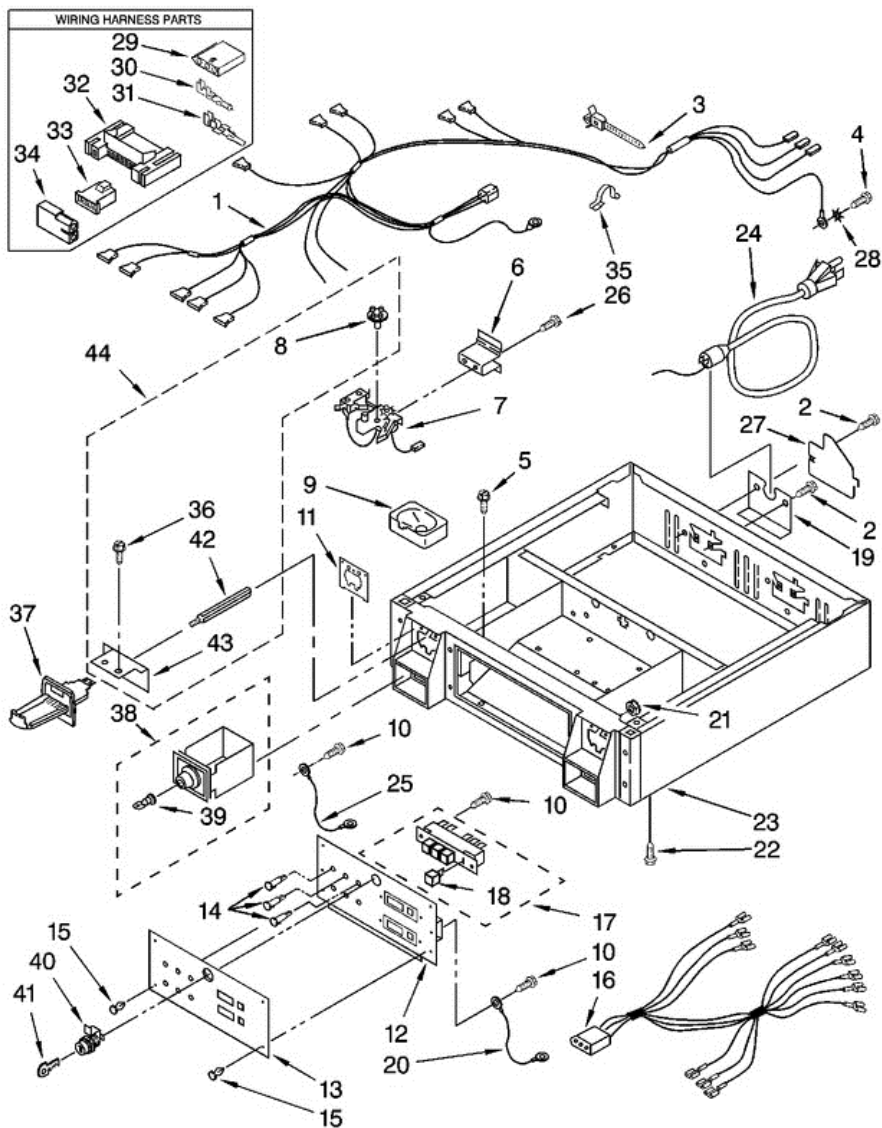
35	279731	4`-90Â° ELBOW
36	697750	PLUG-MULTIVENT
37	488729	SCREW
38	8283298	JUMPER, DOOR SWITCH
38A	717253	PLUG, 2-WAY
38B	3936144	CONNECTOR
39	3388674	BRACKET, IDLER
40	686590	IGNITOR
41	3406109	DOOR SWITCH ASSEMBLY
42	98129	SCREW, 6-20 X 1 1/16
43	3393909	SCREW, 8-32 X 3/4
44	3387242	SEAL, FRONT PANEL
45	342055	SCREW, 8-18 X 1/2
46	3388229	RETAINER
47	W10205622	DOOR, REAR
48	694091	SCREW, 8-18 X 3/8
49	W10205649	DOOR, FRONT
50	343641	SCREW, 10-16 X 1/2
51	W10192882	UPPER FRONT PANEL
52	696144	STRIKE, DOOR
53	9742177	FASTENER
55	3390647	SCREW, 8-18 X 1/2
56	8529990	HARNESS (LOWER)
56A	3390423	PLUG, MULT- TERMINAL
56B	717252	RECEPTACLE
57	3390735	SEAL, DOOR
58	3392538	CATCH, DOOR ASSEMBLY
59	8066120	LEVER, SNAP SWITCH
60	W10213202	HANDLE, DOOR
61	697215	PANEL, TOE (INCLUDES ILLUS. 34)
62	3387561	CLAMP-PIPE
63	3401797	BURNER ASSEMBLY 60 HZ.
64	8281911	VALVE, GAS (COMPLETE) 60 HZ.
65	3387057	SCREW, 8-18 X 3/8
66	279818	DRYER EXHAUST KIT (WHITE)

Distribuidor Autorizado

SurteRápido.com

Venta de Refacciones
Electrodomesticas

CSP2761TQ2 TABLERO





CSP2761TQ2 TABLERO

1	8283295	HARNES, WIRE (2)
2	3400000	SCREW, 10-24 X 3/8
3	3391018	TIE, CABLE
4	697776	SCREW, 10-32 X 5/8
5	98139	SCREW, 8-32 X 5/16
6	3390115	BRACKET, TIMER (2)
7	3389668	TIMER (INCLUDES 4-PIN CAM) (2)
8	3387974	CAM (3-PIN (60 MIN.))
8	339853	CAM (12-PIN (15 MIN.))
8	339854	CAM (9 PIN (20 MIN.))
8	339855	CAM (4 PIN (45 MIN.))
8	343777	CAM (6-PIN (30 MIN.))
9	385421	FUNNEL, COIN (2)
10	303921	SCREW, 8-32 X 3/8
11	3954761	PLATE, CHUTE ADAPTER (2) (INCLUDES ILLUS. 9)
12	3979100	PANEL, CONTROL
13	8527831	INSERT, DECORATIVE
14	3979325	LAMP, INDICATOR (RED)
14	3979326	LAMP, INDICATOR (AMBER)
14	3979327	LAMP, INDICATOR (BLUE)
15	354239	RIVET (4)
16	8283296	WIRE JUMPER (2) (LIGHT & SWITCH)
17	8316437	SWITCH, PUSHBUTTON (2)
18	8316433	PUSHBUTTON
19	3390189	STRAIN RELIEF
20	8539882	JUMPER WIRE
21	3400029	NUT, 10-32 (6)
22	3400500	BOLT, 5-16 X 18 (2)
23	3978853	COLLAR
24	3401402	CORD, POWER
25	3401699	JUMPER WIRE (GROUND)
26	3400094	SCREW, 10-32 X 3/8
27	3396795	COVER, TERMINAL BLOCK (2)

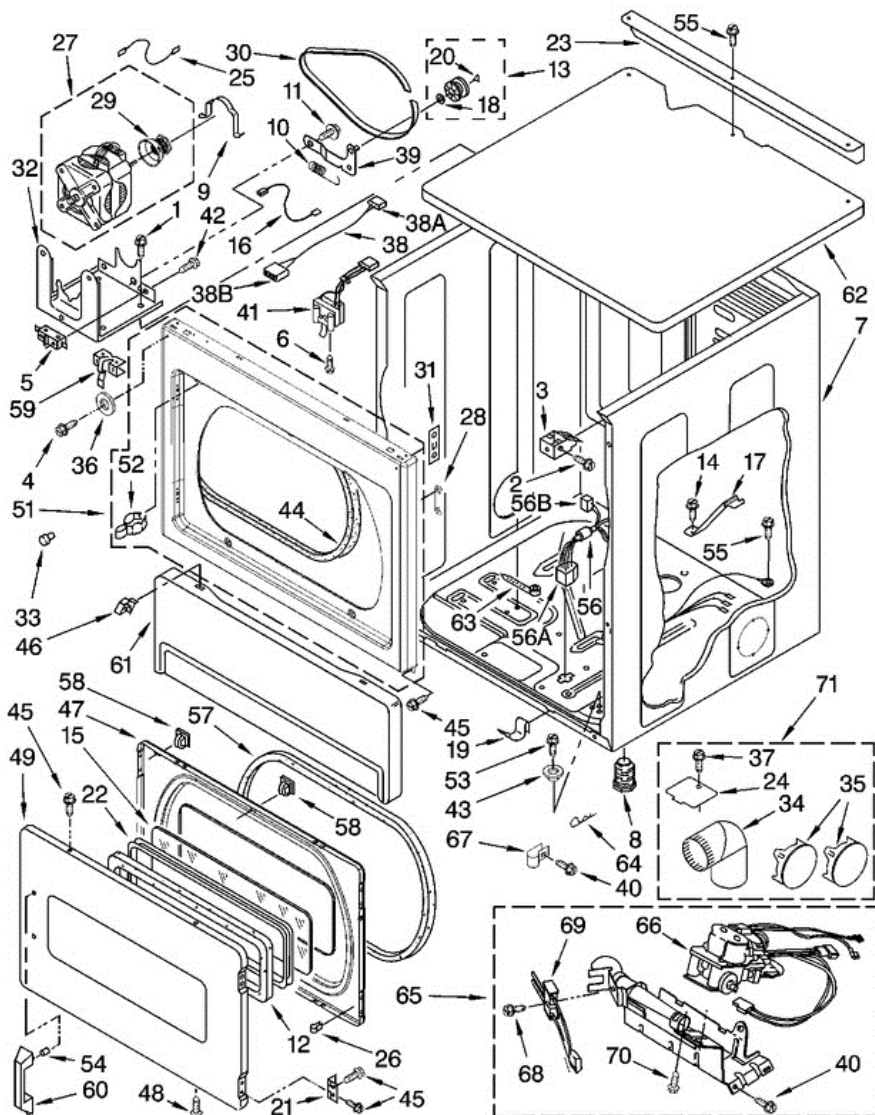
28	3390443	RETAINER, TERMINAL (2)
29	353424	CONNECTOR, SENSOR
30	94614	TERMINAL (FEMALE)
31	94613	TERMINAL
32	3395683	CONNECTOR (MOTOR)
33	3403498	CONNECTOR, 3-POSITION (GAS VALVE)
34	3403499	CONNECTOR, 2-POSITION GAS VALVE
35	98997	CLIP, HARNESS FOLLWOING
36	96435	SCREW, 10-32 X 3/8
37	8316264	INSERTS (NOT SHOWN) (BLANK)
37	8316265	INSERTS (NOT SHOWN) (25Å¢)
37	8316520	SLIDE MECHANISM (VERTICAL8-COIN)(DOLLAR VEND)
38	8316525	MONEY BOX W/LOCK
40	8316526	SECURITY LOCK/KEY AND CAM ASSEMBLY
42	8318517	BOLT, SLIDE MECHANISM
43	3390424	SLIDE EXTENSION
44	3390615	SCREW & CAM BAG ASSEMBLY

Distribuidor Autorizado

SurteRápido.com

Venta de Refacciones
Electrodomesticas

CSP2761TQ2 GABINETE SUPERIOR





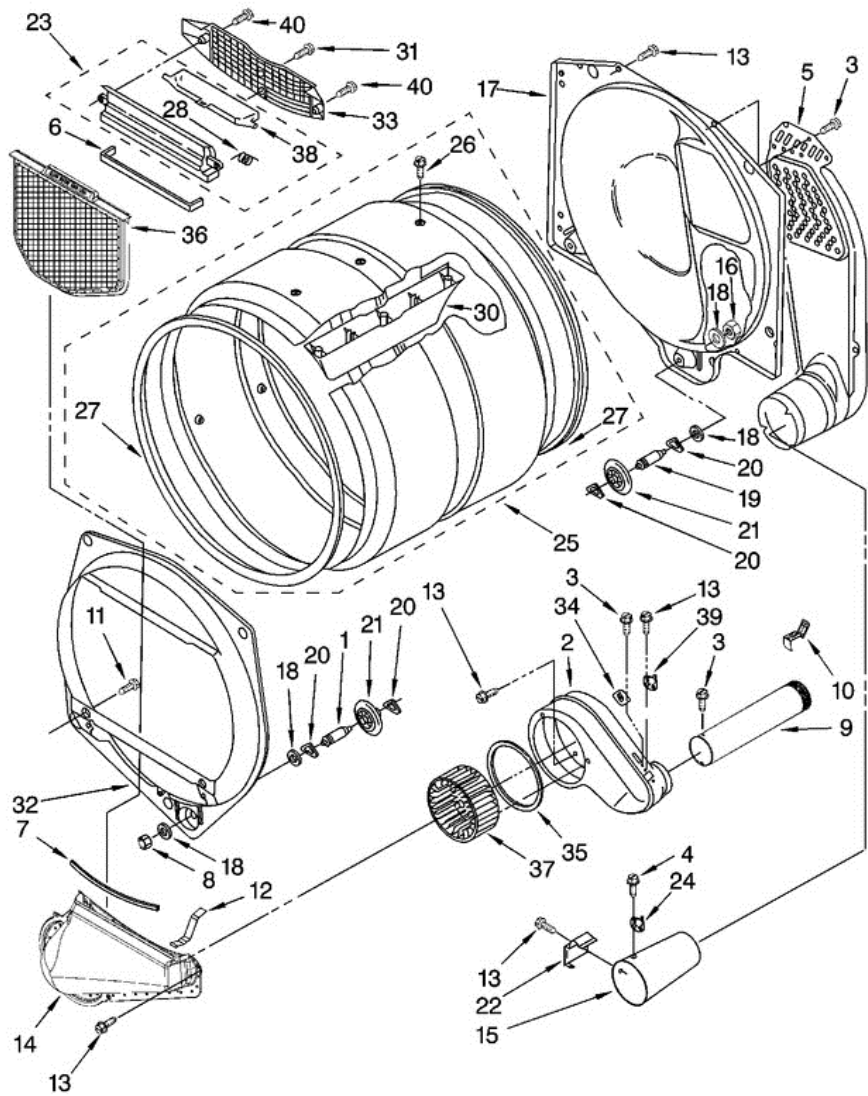
CSP2761TQ2 GABINETE SUPERIOR

1	3390663	SCREW, 10-16 X 1/2
2	3391915	SCREW, 10-16 X 1
3	3391846	CLIP, FRONT PANEL (2)
4	3393258	SCREW, 10-16 X 1/2
5	3394881	SWITCH, BROKEN BELT
6	697773	SCREW, 6-20 X 7/8
7	3978859	CABINET (UPPER)
8	689172	FOOT, DRYER (PLASTIC) (2)
9	660658	CLAMP, MOTOR (2)
10	3387374	SPRING, IDLER
11	3389420	RETAINER, IDLER
12	3392915	GASKET, WINDOW
13	3388672	PULLEY ASSEMBLY
14	693995	SCREW, 8-18 X 3/8
15	3392918	WINDOW (NOT SHOWN PART 3396122, WINDOW PACK. INCLUDES ILLUS. 12 & 15)
16	W10167612	WIRE, BELT SWITCH
17	8529757	BRACKET, BURNER
18	W10121334	WASHER, THRUST
19	297092	CLIP (2)
20	690997	TRI RING
21	3389247	HINGE AND PIN (2)
22	3392914	FRAME, WINDOW
23	3979115	BRACKET, ANGLE
24	3394331	PLATE COVER (BOTTOM EXHAUST)
25	3398948	WIRE, JUMPER
26	3389249	NUT, ``U`` (4)
27	8538264	MOTOR ASSEMBLY (60 HZ.)
28	W10191265	PLUG, HINGE HOLE SCREW
29	3389627	PULLEY 60 HZ
30	3387610	BELT, DRIVE
31	3390902	CLIP, DOOR HINGE (2)
32	3387118	BRACKET, MOTOR
33	693152	BUMPER

34	279731	4`-90° ELBOW
35	697750	PLUG-MULTIVENT
36	3392186	WASHER
37	488729	SCREW
38	8283298	JUMPER, DOOR SWITCH
38A	717253	PLUG, 2-WAY
38B	3936144	CONNECTOR
39	3388674	BRACKET, IDLER
40	343641	SCREW, 10-16 X 1/2
41	3406109	DOOR SWITCH ASSEMBLY
42	98129	SCREW, 6-20 X 1 1/16
43	3389233	BUSHING
44	3387242	SEAL, FRONT PANEL
45	342055	SCREW, 8-18 X 1/2
46	3388229	RETAINER
47	W10205622	DOOR, REAR
48	694091	SCREW, 8-18 X 3/8
49	W10205649	DOOR, FRONT
51	W10192882	UPPER FRONT PANEL
52	696144	STIKE, DOOR
53	3400523	SCREW, SECURITY (INCLUDES ILLUS. 64)
54	9742177	FASTENER
55	3390647	SCREW, 8-18 X 1/2
56	8529989	HARNESS (UPPER)
56A	3390423	PLUG, MULTI- TERMINAL
56B	717252	RECEPTACLE
57	3390735	SEAL, DOOR
58	3392538	CATCH, DOOR ASSEMBLY
59	8066120	LEVER, SNAP SWITCH
60	W10213202	HANDLE, DOOR
61	697215	PANEL, TOE (INCLUDES ILLUS. 33)
62	3389351	TOP (UPPER)
63	3391018	TIE, CABLE
64	W10117347	COTTER PIN
65	3401797	BURNER ASSY 60 HZ. (REFER TO PAGES 10 & 11)
66	8281911	VALVE, GAS (COMPLETE) 60 HZ.
67	3387561	CLAMP-PIPE
68	3393909	SCREW, 8-32 X 7/8

69	686590	IGNITOR
70	3387057	SCREW, 8-18 X 3/8
71	279818	DRYER EXHAUST KIT (FOR SIDE & BOTTOM VENTING)

CSP2761TQ2 TAMBOR



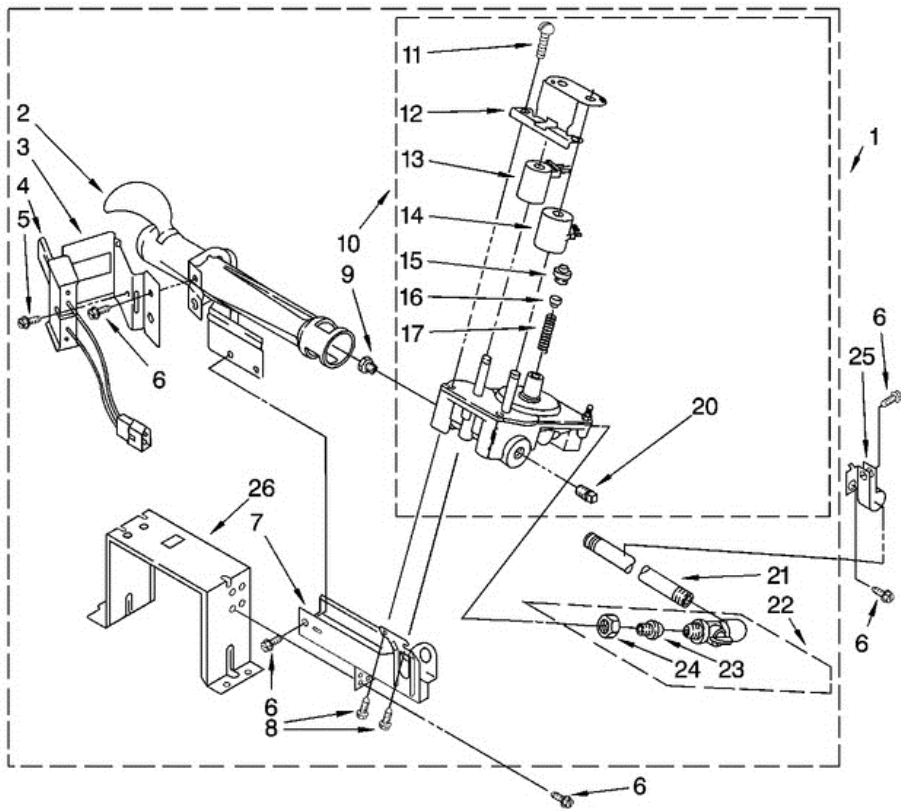


CSP2761TQ2 TAMBOR

1	8575324	SHAFT, R.H. THREAD
2	8544362	HOUSING, BLOWER
3	8533971	SCREW, 8-18 X 5/16
4	90767	SCREW, 8-18 X 3/8
5	3394346	AIR DUCT ASSEMBLY
6	697813	SEAL, OUTLET HOUSING
7	697814	SEAL, DRUM FRONT
8	3934666	NUT, 3/8 X 16 (R.H.)
9	8066224	EXHAUST PIPE
10	8572105	CLIP, EXHAUST
11	3357011	SCREW, 10-16 X 1/2
12	8066208	CLIP-SPRING
13	3390647	SCREW, 8-18 X 1/2
14	8066168	LINT DUCT ASSEMBLY
15	8066047	FUNNEL, BURNER
16	W10001120	NUT, 3/8-16 (L.H.)
17	3387809	BULKHEAD, REAR
18	3387459	WASHER, SUPPORT
19	8575325	SHAFT, L.H. THREAD
20	690997	RING, TRI
21	8536973	ROLLER, SUPPORT
22	338906	SENSOR, RADIANT
23	8563755	HOUSING, OUTLET
24	3391912	THERMOSTAT 255Å° (124Å° C)
25	8318215	DRUM COMPLETE
26	W10219342	SCREW, 8-16 X 1/2
27	W10166807	SEAL, DRUM
28	3394986	SPRING, LINT SCREEN
30	697693	BAFFLE, DRUM (3)
31	487909	SCREW, 8-15 X 1/2
32	697557	BULKHEAD, FRONT
33	8563756	GRILLE, OUTLET

34	3392519	THERMAL FUSE
35	697770	SEAL, COVER PLATE
36	W10049370	SCREEN, LINT
37	W10168564	WHEEL, BLOWER
38	8563758	DOOR, LINT SCREEN
39	3387138	THERMOSTAT, INTERNAL-BIAS
40	3387230	SCREW, 10-16 X 13/16

CSP2761TQ2 QUEMADOR





CSP2761TQ2 QUEMADOR

1	3401797	BURNER ASSY.60 HZ.(TYPE 1,2 & 3) (WHITE RODGERS)
2	688617	TUBE, BURNER
3	694298	BRACKET, IGNITOR
4	686590	IGNITOR
5	3393909	SCREW & WASHER (8-32 X 5/8)
6	343641	SCREW, 10-16 X 1/2
7	3389871	BASE, BURNER
8	3387057	SCREW, 10-16 X 1/2 (3)
9	15775	ORIFICE, BURNER (TYPE 2)
9	3397656	ORIFICE, BURNER (TYPE 1)
10	3401775	VALVE, GAS 60 HZ. (COMPLETE)
11	694421	SCREW, 8-32 X 1/2 (2)
12	694538	BRACKET, COIL
13	694540	COIL, 60 HZ. (2 TERMINAL) (MAIN)
14	694539	COIL, 60 HZ. (SPLIT) (3 TERMINAL) (PILOT POSITION)
15	694424	LEAK, LIMITER
16	694423	SCREW, REGULATOR ADJUSTMENT
17	694422	SPRING, REGULATOR
20	239822	PLUG, PIPE
21	3387224	PIPE, GAS SUPPLY
22	697441	VALVE & UNION SHUT-OFF
23	3393767	PIPE, TAIL
24	233076	NUT, COMPRESSION
25	3387561	CLAMP-PIPE
26	3389889	BRACKET, SUPPORT