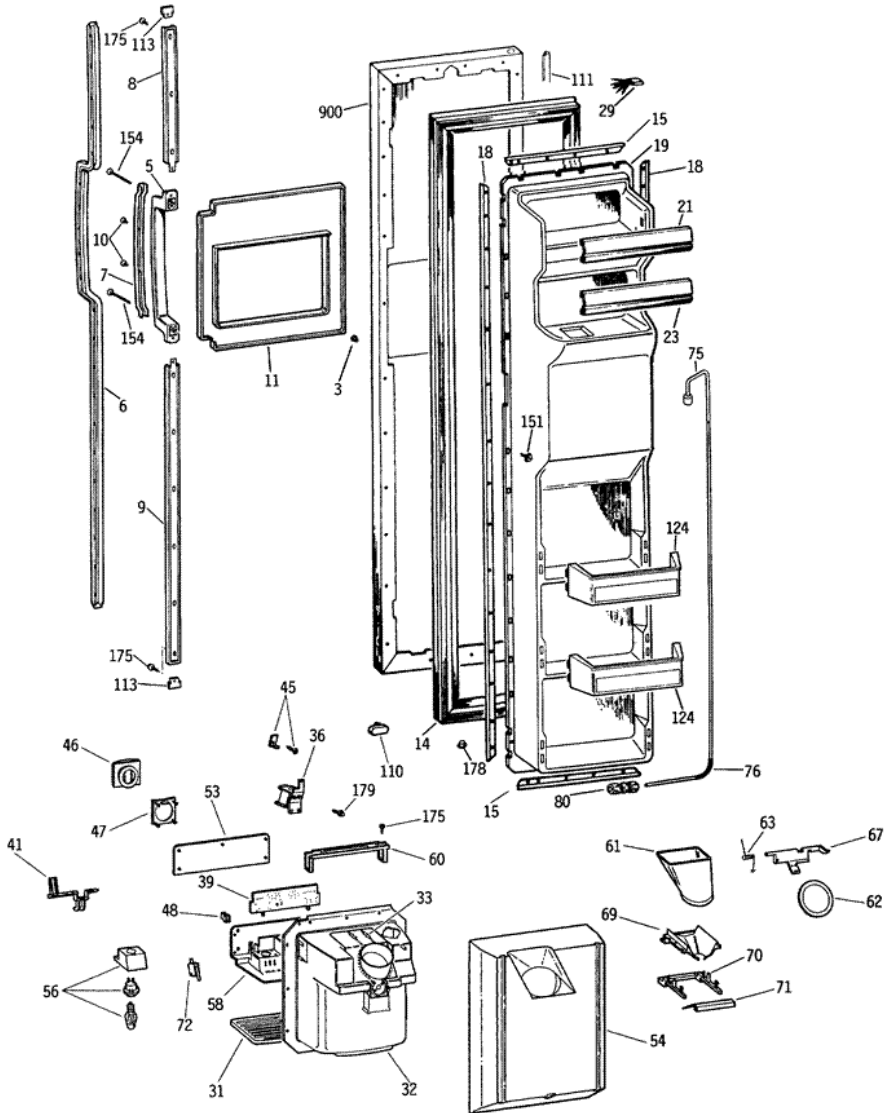


Distribuidor Autorizado

SurteRápido.com

Venta de Refacciones
Electrodomesticas

CSX27DRTAWW FREEZER DOOR





CSX27DRTAWW FREEZER DOOR

3	WR2X8669	FASTENER TUBULAR (S/P)
6	WR12X1025	INSERT CHANNEL HANDLE AD DESCONTINUADO
6	WR12X1027	INSERT DOOR HANDLE WH (S/P)
7	WR12X620	STIFFENER HANDLE (S/P)
8	WR12X1062	CHANNEL HANDLE (S/P)
9	WR12X1061	CHANNEL HANDLE (S/P)
10	WR1X1766	SCREW (S/P)
11	WR38X2054	TRIM ASM DISP AD (S/P)
11	WR38X2055	TRIM ASM DISP WH (S/P)
14	WR24X525	GASKET DOOR FRZ (S/P)
15	WR17X1167	RETAINER STRIP (S/P)
18	WR17X2092	RETAINER STRIP (S/P)
19	WR77X604	DOOR INNER FZ (S/P)
21	WR17X3280	FRONT DOOR SHELF (S/P)
23	WR17X3284	FRONT DOOR SHELF DESCONTINUADO
29	WR49X350	HARNES DR HINGE FZ (S/P)
31	WR17X3707	GRILLE RECESS AD DESCONTINUADO
31	WR17X3160	GRILLE RECESS WH (S/P)
32	WR17X10190	RECESS DISP WH (S/P)
32	WR17X10191	RECESS DISP AD (S/P)
33	WR51X353	HEATER RECESS (S/P)
36	WR62X107	SOLENOID ASM
39	WR55X129	MODULE TIME DELAY
41	WR17X3493	CRADLE ACTUATOR (S/P)
45	WR2X8818	RETAINER RECESS DOOR (S/P)
46	WR2X8726	PAD ACTUATOR AD (S/P)
46	WR2X8704	PAD ACTUATOR WH
47	WR2X8727	SUPPORT ACTUATOR PAD AD (S/P)
47	WR2X8681	SUPPORT ACTUATOR PAD WH (S/P)
48	WR2X9154	KNOB RECESS DISP AD (S/P)
48	WR2X8696	KNOB RECESS DISP WH (S/P)
53	WR17X3710	NAMEPLATE RECESS ASM AD (S/P)
53	WR17X3711	NAMEPLATE RECESS ASM WH (S/P)

54	WR17X3099	INSULATION RECESS (S/P)
56	WR0X8662	SOCKET LAMP (S/P)
56	WR0X8686	REFLECTOR LAMP SOCKET (S/P)
58	WR17X3166	SHIELD RECESS DISP WH (S/P)
58	WR17X3210	SHIELD RECESS DISP AD (S/P)
60	WR2X8685	COVER ELECT (S/P)
61	WR17X3086	CHUTE ICE (S/P)
62	WR17X11653	DOOR RECESS ASM
63	WR2X8663	SPRING RECESS DOOR
65	WZ4X230	SCREW (S/P)
67	WR17X3089	CRANK DOOR RECESS
69	WR17X3095	FUNNEL RECESS SHIELD BK (S/P)
70	WR2X8954	SUPT. FUNNEL & GUARD WH (S/P)
70	WR2X8943	SUPT. FUNNEL & GUARD AD (S/P)
71	WR17X10282	DEFLECTOR ICE BK (S/P)
72	WR23X366	SWITCH CRADLE ACTUATOR (S/P)
75	WR17X3670	GROMMET & TUBE ASM (S/P)
76	WR2X8933	SLEEVE WATER LINE (S/P)
80	WR2X4265	CLAMP (S/P)
80	WR2X8545	NUT & UNION ASM (S/P)
86	WH2X940	SCR 8-32 TT FL 1/2 S (S/P)
87	WZ4X241	SCREW (S/P)
110	WR2X8989	SUPPORT TWIST BUMPER (S/P)
111	WR38X1437	TRIM DOOR DESCONTINUADO
113	WR2X7871	CAP TRIM HANDLE (S/P)
124	WR71X2400	SHELF DOOR MODULE ASM DESCONTINUADO
151	WR1X1554	SCREW (S/P)
153	WR1X1505	SCREW (S/P)
154	WR1X1765	SCREW (S/P)
154	WR1X1971	SCREW (S/P)
178	WR2X6058	PLUG BUTTON(.562"DIA.) (S/P)
180	WR1X1966	SCR 6-22 PL IHW 3/8 (S/P)
276	WR1X1510	GROMMET SCR (S/P)
303	WD1X1440	HOUSING TERMINAL (S/P)
368	WR2X8459	BRACKET IM MTG (S/P)
461	WZ6X136	SCR 8-18 AB HXW 1/2 S (S/P)
494	WD1X1459	INSULATOR HSNQ TERM (S/P)
584	WZ2X509	SCR 8-32 MA PA 3/16 S DESCONTINUADO

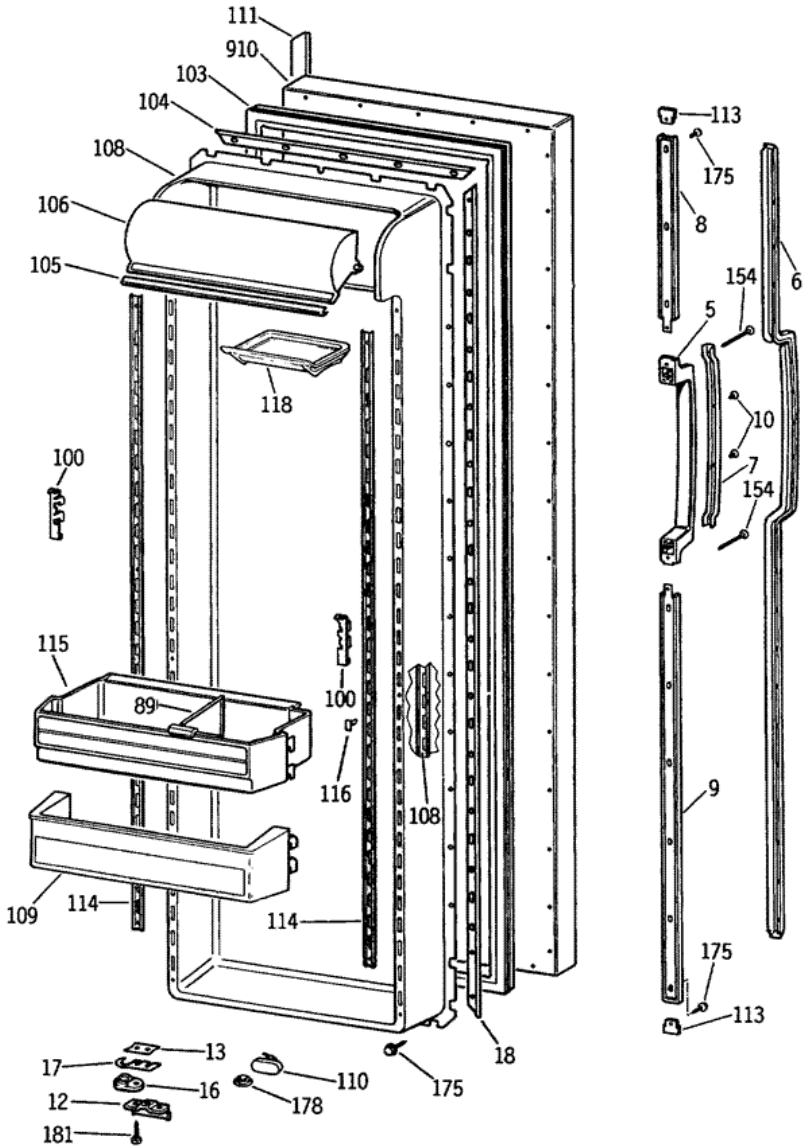
621	WR2X4495	CONNECTOR W/LEAD (S/P)
636	WH2X765	SCR 8-32 M HX 3/8 S (S/P)
676	WZ4X263	SCREW (S/P)
689	WR1X1598	SCR 8 32 GX HXW 1/2 S DP DESCONTINUADO
690	WR1X1466	SCR 8-32 T HXW 3/8 S (S/P)
691	WX2X560	SCR 8-32 D HXW 3/8 SS (S/P)
692	WZ4X416	SCREW (S/P)
753	WB1K5052	SCREW (S/P)
788	WB17X5079	HOUSING SOCKET PKG 6 PIN DESCONTINUADO
809	WR1X1936	FASTENER WATER TUBE (S/P)
875	WH2X930	SCR 8-18 AB HXW 3/8 S (S/P)
900	WR78X8503	FZ O. DOOR WH (S/P)
900	WR78X8505	FZ O. DOOR AD (S/P)
941	WD1X1391	CONNECTOR ELEC. 6 PIN (S/P)
942	WD1X1395	TERMINAL PIN & SOCKET (S/P)
1458	WB17X5061	TERMINAL BLK ASM (3 PIN) (S/P)
1458	WB17X5062	TERMINAL BLK ASM (12PIN) (S/P)

Distribuidor Autorizado

SurteRápido.com

Venta de Refacciones
Electrodomesticas

CSX27DRTAWW FRESH FOOD DOOR





CSX27DRTAWW FRESH FOOD DOOR

5	WR12X0618	HANDLE DOOR (S/P)
6	WR12X1025	INSERT CHANNEL HANDLE AD DESCONTINUADO
6	WR17X1027	INSERT DOOR HANDLE WH (S/P)
7	WR12X0620	STIFFENER HANDLE (S/P)
8	WR12X1062	CHANNEL HANDLE (S/P)
9	WR12X1061	CHANNEL HANDLE (S/P)
10	WR01X1766	SCREW (S/P)
12	WR2X4537	STOP DOOR (S/P)
13	WR02X7489	NUTSTRIP (S/P)
13	WR02X7490	SHIM CAM & DOOR STOP (S/P)
16	WR02X7512	HINGE CAM RISER
17	WR02X7491	SHIM RISER CAM (S/P)
17	WR2X7491	SHIM RISER CAM (S/P)
18	WR17X2092	RETAINER STRIP (S/P)
89	WR02X7957	SNUGGER MODULE (S/P)
100	WR02X8410	HOOK MODULE L/S (S/P)
100	WR02X8409	HOOK MODULE R/S (S/P)
103	WR24X0526	GASKET DOOR FF (S/P)
104	WR17X1168	RETAINER STRIP (S/P)
105	WR38X1969	TRIM DAIRY DOOR DESCONTINUADO
106	WR22X0378	DOOR DAIRY (S/P)
108	WR77X0506	DOOR INNER FF DESCONTINUADO
108	WR2X0091	TRACK DOOR INNER (S/P)
108	WR01X1718	SCREW (S/P)
109	WR71X2375	SHELF DOOR REMOVABLE ASM (S/P)
110	WR02X8989	SUPPORT TWIST BUMPER (S/P)
111	WR38X1437	TRIM DOOR DESCONTINUADO
113	WR02X7871	CAP TRIM HANDLE (S/P)
114	WR2X0092	TRACK DOOR SHELF (S/P)
115	WR71X2374	SHELF DOOR MODULE ASM (S/P)
116	WR02X7829	CAP DOOR TRACK (S/P)
118	WR19X5003	BUTTER DISH (S/P)
154	WR01X1765	SCREW DESCONTINUADO

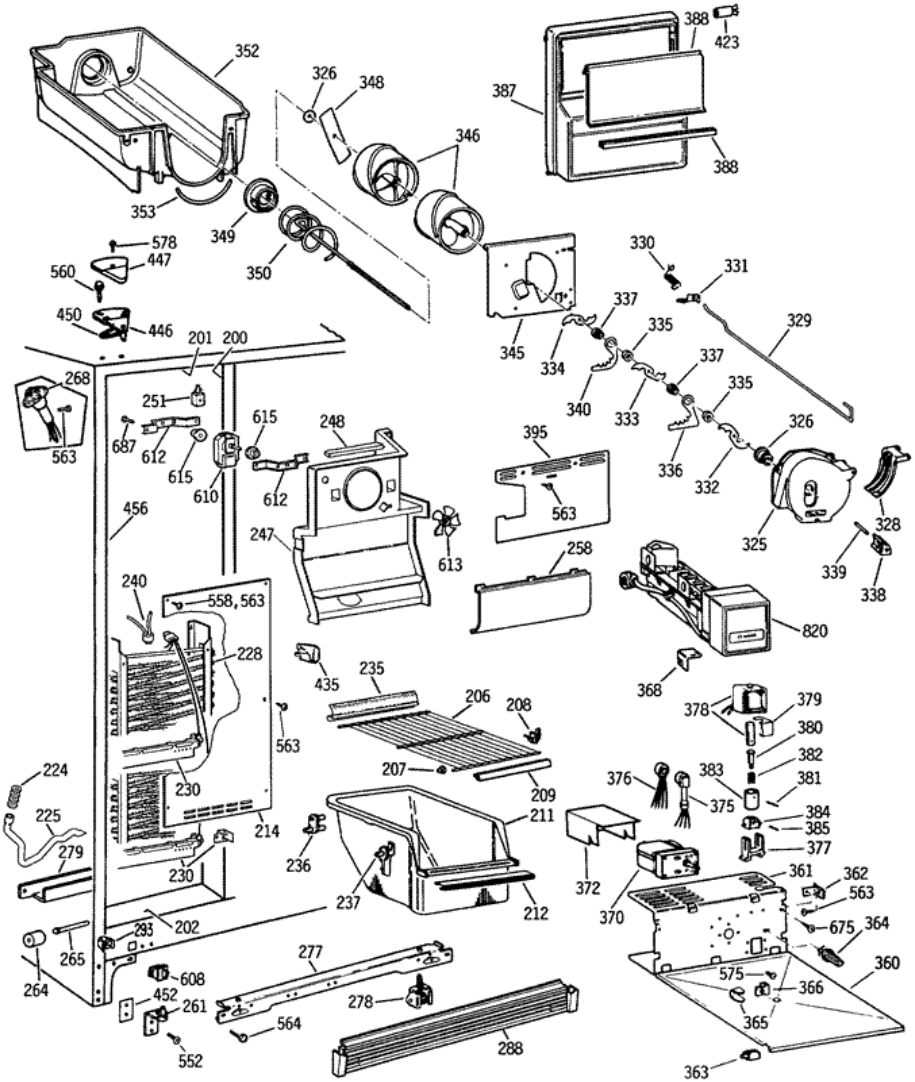
154	WR01X1971	SCREW (S/P)
178	WR02X6058	PLUG BUTTON(.562"DIA.) (S/P)
181	WZ06X0105	SCREW DESCONTINUADO
910	WR78X8502	FF O. DOOR WH (S/P)
910	WR78X8504	FF O. DOOR AD DESCONTINUADO

Distribuidor Autorizado

SurteRápido.com

Venta de Refacciones
Electrodomesticas

CSX27DRTAWW FREEZER SECTION





CSX27DRTAWW FREEZER SECTION

200	WR40X1666	BREAKER STRIP R/S FRZ DESCONTINUADO
201	WR40X1664	BREAKER STRIP TOP FRZ DESCONTINUADO
202	WR40X1732	BREAKER STRIP BTM FRZ (S/P)
206	WR71X1936	SHELF FZ (S/P)
207	WR2X4676	GROMMET SHELF (S/P)
208	WR2X4674	SUPPORT SHELF
209	WR38X1967	TRIM SHELF (S/P)
211	WR21X190	BASKET CLEAR (S/P)
212	WR17X3285	TRIM HANDLE BASKET FZ (S/P)
214	WR1X1332	RIVET-PLASTIC DESCONTINUADO
214	WR14X456	GASKET COVER EVAP (S/P)
214	WR17X3490	COVER EVAP (S/P)
214	WR1X10064	CLIP EVAP COVER (S/P)
224	WR2X8657	GROMMET DRAIN TUBE (S/P)
225	WR2X10395	TUBE DRAIN (S/P)
225	WR1X5042	CLAMP HOSE (S/P)
225	WR2X4838	CLAMP (S/P)
228	WR85X283	LOW SIDE ASM (S/P)
230	WR51X443	DEF HEATER & HARNESS ASM
230	WR2X8647	BRACKET DEF HTR (S/P)
235	WR38X1968	REFLECTOR SHELF WIRE DESCONTINUADO
236	WR2X4548	SUPPORT BASKET-REAR (S/P)
237	WR2X7036	SUPPORT BASKET-FRONT (S/P)
240	WR50X122	THERMOSTAT DEF (S/P)
247	WR17X3488	ORIFICE EVAP FAN (S/P)
247	WR2X4845	SUPPORT ORIFICE (S/P)
248	WR2X3899	FOAM STRIP (S/P)
251	WR2X2880	SUPPORT TWIST (S/P)
258	WR17X3489	SHIELD LIGHT FZ (S/P)
261	WR13X745	HINGE BTM PIN & CAM ASM (S/P)
264	WR2X3594	WHEEL MOBILITY (S/P)
265	WR2X3595	COTTER PIN (S/P)
268	WR23X312	IM RECEPACLE (S/P)

277	WR17X2113	RAIL MACHINE MTG. FRONT (S/P)
278	WR2X4858	WHEEL ASM FRT (S/P)
279	WR17X3661	RAIL MACH MTG REAR (S/P)
288	WR74X210	GRILLE BASE AD (S/P)
288	WR74X198	GRILLE BASE WH (S/P)
293	WR2X7080	CLIP-O. CASE-END CAP (S/P)
325	WR17X2061	HOUSING CRUSHER DISP (S/P)
326	WR1X1585	NUT AUGER (S/P)
326	WR1X1367	RETAINER RING E (S/P)
326	WR1X1366	WASHER (S/P)
328	WR2X4561	SPRING ICE DEFLECTOR (S/P)
328	WR2X4143	PIN DEFLECTOR DISP (S/P)
328	WR17X2059	DEFLECTOR ICE DISP (S/P)
329	WR17X2060	WIRE ACTUATOR DISP (S/P)
330	WR2X4145	SPRING (S/P)
331	WR2X4251	RETAINER ACTUATOR WIRE (S/P)
332	WR17X1361	BLADES MOVING DISP (S/P)
333	WR17X1362	BLADES MOVING DISP (S/P)
334	WR17X1363	BLADES MOVING DISP (S/P)
335	WR2X4139	SPACER (S/P)
336	WR17X2216	BLADE STATIONARY DISP (S/P)
337	WR2X4138	SPACER CRUSHER STATIONAR (S/P)
338	WR2X4140	BLADE REST DISP (S/P)
339	WR2X4141	PIN SPIRAL (S/P)
340	WR17X2058	BLADE STATIONARY DISP (S/P)
345	WR17X2062	PLATE FRONT DISP (S/P)
346	WR49X10183	HELIX FRONT-DISP (S/P)
346	WR17X2056	HELIX REAR-DISP (S/P)
348	WR2X7783	BLADE IN DISP (S/P)
349	WR2X4550	CUP DRIVE DISPENSER (S/P)
350	WR17X2740	AUGER HELIX DISP (S/P)
352	WR17X4312	BUCKET & AUGER ASM DISP
352	WR30X256	BUCKET ICE (S/P)
353	WR2X7905	BUCKET SEAL DISP (S/P)
360	WR71X2465	SHELF BUCKET BTM DISP DESCONTINUADO
360	WR2X4566	PROTECTOR SHELF DESCONTINUADO
361	WR71X2353	COVER MOTOR & SOLENOID (S/P)
362	WR2X8839	BRACKET SHELF (S/P)

363	WR2X8952	SUPPORT TWIST (S/P)
364	WR2X7310	SUPPORT TWIST (S/P)
365	WR2X4854	DRIVE AUGER DISPENSER (S/P)
366	WR1X1547	NUT J (S/P)
370	WR1X1788	SCREW MOTOR MOUNT (S/P)
370	WR60X202	MOTOR CRUCHER DISP
372	WR2X11295	SHIELD CRUSHER MTR (S/P)
375	WR23X194	HARNESS MOTOR DISP (S/P)
376	WR23X189	RECEPTACLE-HARNESS DESCONTINUADO
377	WR2X7309	SADDLE SOLENOID (S/P)
378	WR62X58	SOLENOID & ARM ASM
379	WR17X1063	SHROUD SOLENOID (S/P)
380	WR17X1064	PLUNGER SOLENOID (S/P)
381	WR2X4257	PIN SPIRAL (S/P)
382	WR2X4258	SPRING SOLENOID LINKAGE (S/P)
383	WR17X1065	COLLAR SOLENOID DISP (S/P)
384	WR17X1066	STIRRUP SOLENOID DISP (S/P)
385	WR2X4259	PIN SPIRAL (S/P)
387	WR17X3279	COVER BUCKET ASM (S/P)
388	WR17X10275	DOOR ICE STORAGE DISP (S/P)
388	WR38X1524	TRIM ICE DOOR (S/P)
395	WR17X2905	SHIELD FAN (S/P)
423	WR2X6347	SUPPORT SHIELD TOP (S/P)
435	WR2X9391	SOCKET & TERMINAL ASM
446	WR13X645	HINGE TOP ASM (S/P)
447	WR2X8260	COVER HINGE WH (S/P)
447	WR2X8261	COVER HINGE AD (S/P)
450	WR2X4194	SHIM HINGE TOP (S/P)
452	WR2X7143	NUTSTRIP HINGE BTM (S/P)
452	WR2X9443	SHIM HINGE (S/P)
456	WR40X1662	BREAKER STRIP L/S FRZ (S/P)
560	WR1X1806	SCREW (S/P)
560	WR1X1249	SCREW (S/P)
564	WR1X1194	SCREW (S/P)
578	WZ2X503	SCREW (S/P)
608	WR23X427	SWITCH LIGHT WH (S/P)
610	WR60X190	MOTOR EVAP FAN
612	WR2X8549	BRACKET EVAP FAN (S/P)

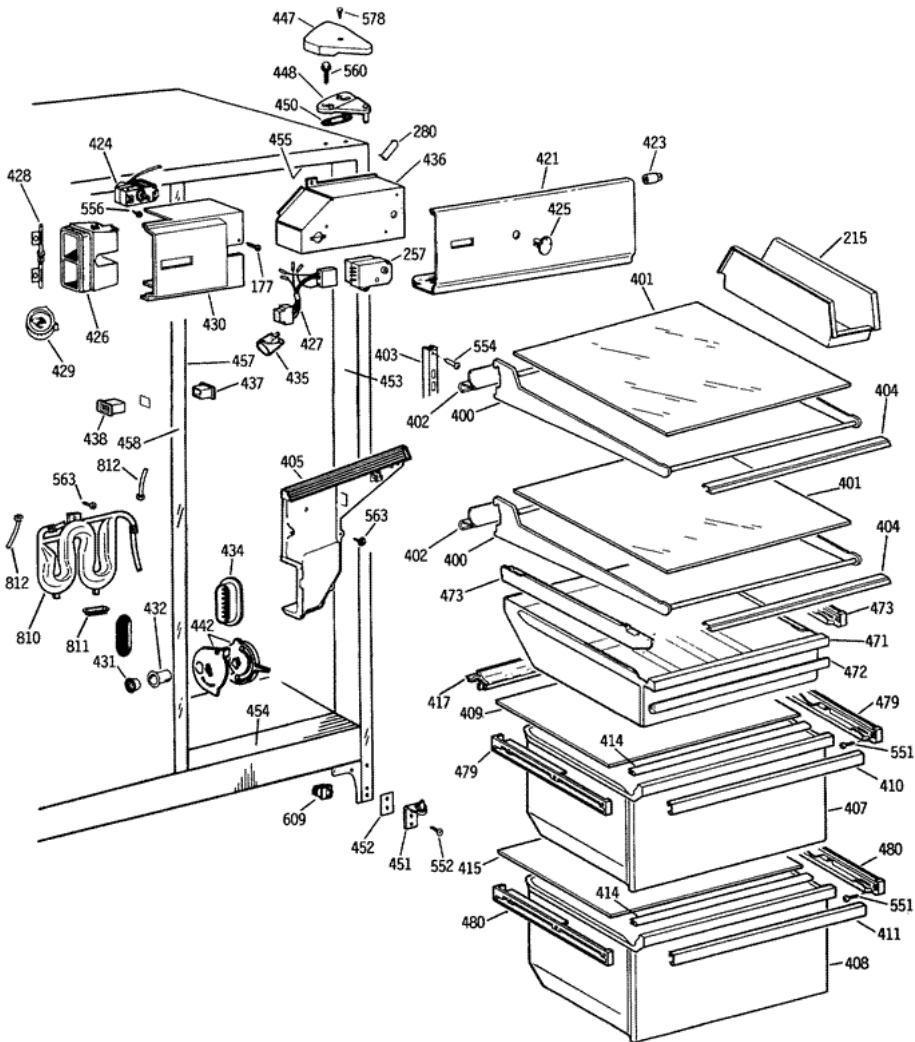
613	WR60X114	FAN BLADE EVAP MOTOR
615	WR2X7391	GROMMET (S/P)
820	WR30X10012	IM CRESCENT

Distribuidor Autorizado

SurteRápido.com

Venta de Refacciones
Electrodomesticas

CSX27DRTAWW FRESH FOOD SECTION





CSX27DRTAWW FRESH FOOD SECTION

177	WR1X5034	SCREW (S/P)
215	WR32X1575	BUCKET UTILITY CLEAR (S/P)
257	WR9X520	CONTROL DEFROST
280	WR2X8518	CAP CORNER OC (WH) DESCONTINUADO
280	WR2X8519	CAP CORNER OC (AD) (S/P)
400	WR71X2303	SHELF CANT (S/P)
401	WR32X1385	SHELF CANT GLASS (S/P)
402	WR38X1958	REFLECTOR GLASS SHELF (S/P)
403	WR72X189	TRACK CANT SHELF (S/P)
404	WR38X1959	TRIM GLASS SHELF DESCONTINUADO
405	WR14X264	TAPE FOAM (S/P)
405	WR17X1523	DUCT AIR & GASKET ASM FF DESCONTINUADO
407	WR32X1221	PAN UPPER
408	WR32X1222	PAN LOWER (S/P)
409	WR32X1369	COVER PAN GLASS DESCONTINUADO
410	WR17X3255	HANDLE PAN (S/P)
411	WR17X3256	HANDLE PAN (S/P)
414	WR14X451	GASKET PAN COVER FRT (S/P)
415	WR32X886	COVER PAN GLASS (S/P)
417	WR2X7359	COVER REAR DESCONTINUADO
421	WR17X3673	SHIELD LIGHT FF (S/P)
423	WR2X6347	SUPPORT SHIELD TOP (S/P)
424	WR9X499	CONTROL TEMP
425	WR2X9216	KNOB TEMP CONTROL (S/P)
426	WR14X462	GASKET FOAM (S/P)
426	WR2X8425	INSUL FOAM NOZZLE (S/P)
426	WR2X8514	HOUSING NOZZLE (S/P)
427	WR23X316	HARNESS CONT MODULE (S/P)
428	WR2X4835	SHAFT DAMPER (S/P)
429	WR2X4836	KNOB DAMPER (S/P)
430	WR17X2209	HOUSING CONTROL (S/P)
431	WR2X8722	CAP MULLION DUCT (S/P)
432	WR2X8654	DUCT MULLION (S/P)

434	WR2X9021	DUCT AIR RETURN ASM FF DESCONTINUADO
435	WR2X9391	SOCKET & TERMINAL ASM
436	WR2X7736	BRACKET CONTROL MOD (S/P)
437	WR2X7476	DUCT MULLION FF (S/P)
438	WR2X8655	DUCT MULLION FZ (S/P)
442	WR2X10042	CONTROL MEAT PAN ASM (S/P)
447	WR2X8261	COVER HINGE AD (S/P)
447	WR2X8260	COVER HINGE WH (S/P)
448	WR13X644	HINGE TOP ASM (S/P)
450	WR2X4194	SHIM HINGE TOP (S/P)
451	WR13X621	HINGE BTM PIN & CAM ASM (S/P)
452	WR2X9443	SHIM HINGE (S/P)
452	WR2X7143	NUTSTRIP HINGE BTM (S/P)
453	WR40X1661	BREAKER STRIP R/S FF DESCONTINUADO
454	WR40X1735	BREAKER STRIP BTM FF (S/P)
455	WR40X1663	BREAKER STRIP TOP FF (S/P)
457	WR40X1665	BREAKER STRIP L/S FF (S/P)
458	WR40X1738	MULLION WH (S/P)
458	WR2X8721	BRACKET MULLION TOP (S/P)
458	WR2X4739	NUT U (S/P)
458	WR2X7033	BRACKET MULLION BTM. (S/P)
458	WR40X1686	MULLION AD (S/P)
471	WR2X8349	GROMMET SCR CLOSED (S/P)
471	WR32X1339	PAN SNACK CLEAR (S/P)
472	WR38X1970	TRIM SNACK PAN DESCONTINUADO
473	WR72X210	SLIDE PAN RH (S/P)
473	WR72X211	SLIDE PAN LH (S/P)
479	WR72X206	SLIDE ASM RH
479	WR72X207	SLIDE ASM LH
479	WR72X206	SLIDE ASM RH
479	WR72X207	SLIDE ASM LH
480	WR72X208	SLIDE ASM RH
480	WR72X209	SLIDE ASM LH
551	WZ4X244	SCREW (S/P)
554	WR1X1483	SCR 10-24 BP PA 1 1/2 S (S/P)
560	WR1X1806	SCREW (S/P)
560	WR1X1249	SCREW (S/P)
578	WZ2X503	SCREW (S/P)

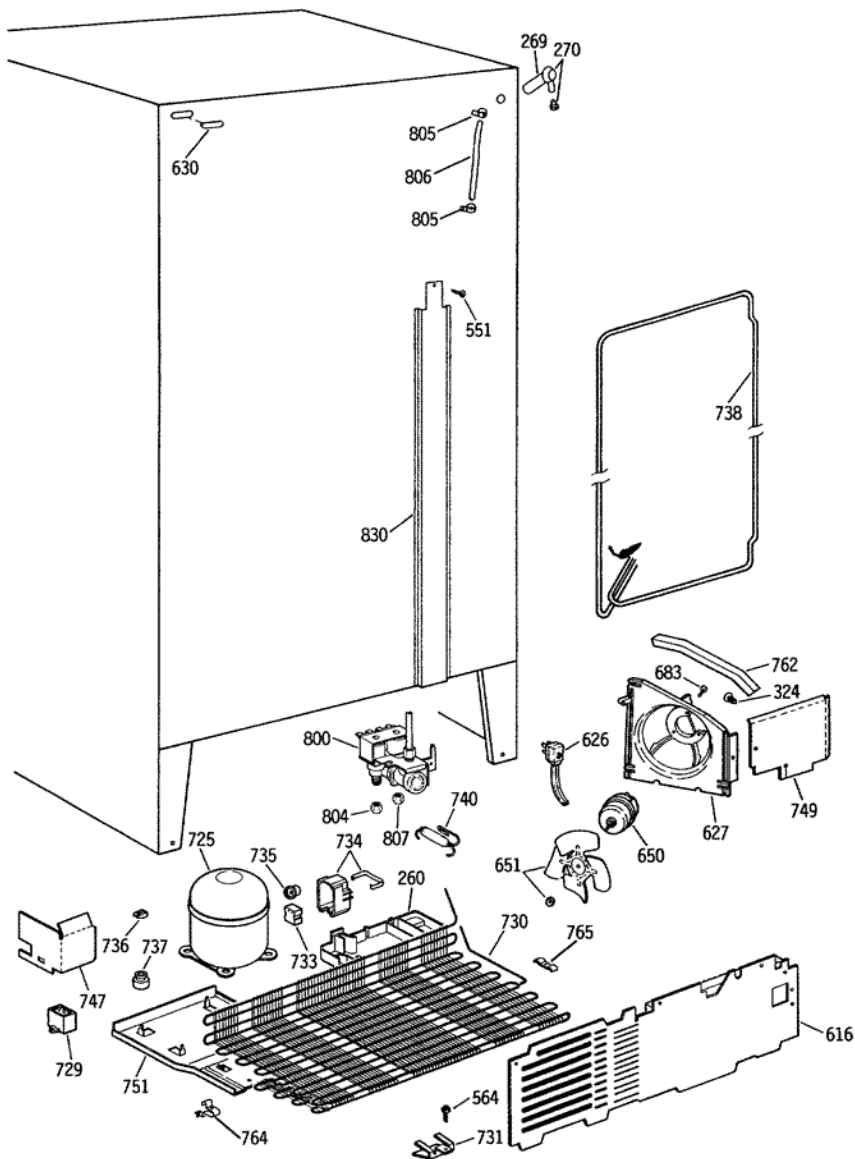
609	WR23X10143	SWITCH LIGHT WH (S/P)
810	WR17X3105	WATER TANK DISP ASM
811	WR2X8659	PLUG RECESSED (S/P)
812	WR17X2891	TUBE PLASTIC (S/P)

Distribuidor Autorizado

SurteRápido.com

Venta de Refacciones
Electrodomesticas

CSX27DRTAWW SYSTEM





CSX27DRTAWW SYSTEM

260	WR32X1427	PAN WATER DISPOSAL (S/P)
269	WR2X8668	TUBE WATER FILL (S/P)
270	WR2X4754	CLAMP HOSE (S/P)
270	WR2X8474	GROMMET WATER FILL (S/P)
324	WR2X7069	PLUG BUTTON (S/P)
551	WZ4X244	SCREW (S/P)
564	WR1X1194	SCREW (S/P)
616	WR82X10069	COVER ACCESS ASM DESCONTINUADO
626	WR1X5278	CLAMP CABLE (S/P)
626	WR23X10300	POWER CORD ASM (S/P)
627	WR17X3952	HOUSING COND FAN
630	WR2X4097	PLUG BUTTON WH (S/P)
650	WR60X187	MOTOR COND FAN (S/P)
651	WR60X220	BLADE COND FAN ASM DESCONTINUADO
651	WR1X1515	NUT LOCKING (S/P)
651	WR1X1714	WASHER (S/P)
725	WR87X10082	HIGH SIDE ASM (S/P)
729	WR62X79	CAPACITOR (S/P)
730	WR84X207	CONDENSER ASM (S/P)
731	WR2X8951	SUPPORT CONDENSER (S/P)
733	WR7X10031	RELAY (S/P)
734	WR2X7226	CLAMP-COVER DESCONTINUADO
734	WR2X7834	COVER RELAY (S/P)
735	WR8X114	OVERLOAD (S/P)
736	WR2X8583	CLIP COMPRESSOR MOUNT (S/P)
737	WR2X7238	GROMMET COMP MTG (S/P)
738	WR2X7064	CLIP COND LOOP (S/P)
738	WR84X168	TUBE COND LOOP ASM (S/P)
740	WR86X93	DRYER (S/P)
747	WR17X3643	BAFFLE SIDE ASM (S/P)
749	WR17X3648	BAFFLE SIDE DISCH ASM DESCONTINUADO
751	WR17X3645	PLATE COMP MTG DESCONTINUADO
762	WR2X7493	FOAM STRIP SE ADH (S/P)

764	WR2X9000	CLIP COND (S/P)
765	WR1X1972	CLIP COND (S/P)
800	WR57X10051	WATER VALVE ASM
804	WR57X57	NUT & SLEEVE (S/P)
804	WR2X4046	INSERT (S/P)
805	WR2X12265	CLAMP TUBE (S/P)
806	WR17X11349	WATER LINE (S/P)
807	WR2X8545	NUT & SLEEVE 5/16" (S/P)
830	WR17X3087	COVER WIRING CASE RR WH (S/P)