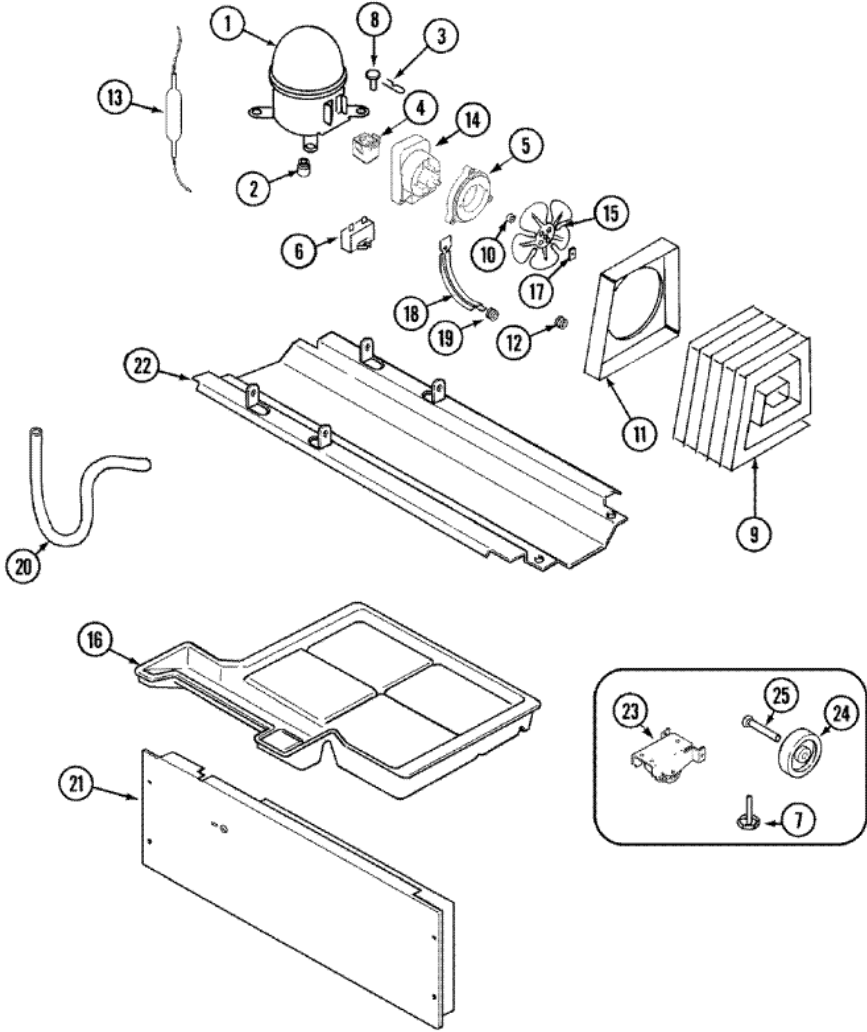


CTL1511GEW COMPRESSOR REV.10-16





CTL1511GEW COMPRESSOR REV.10-16

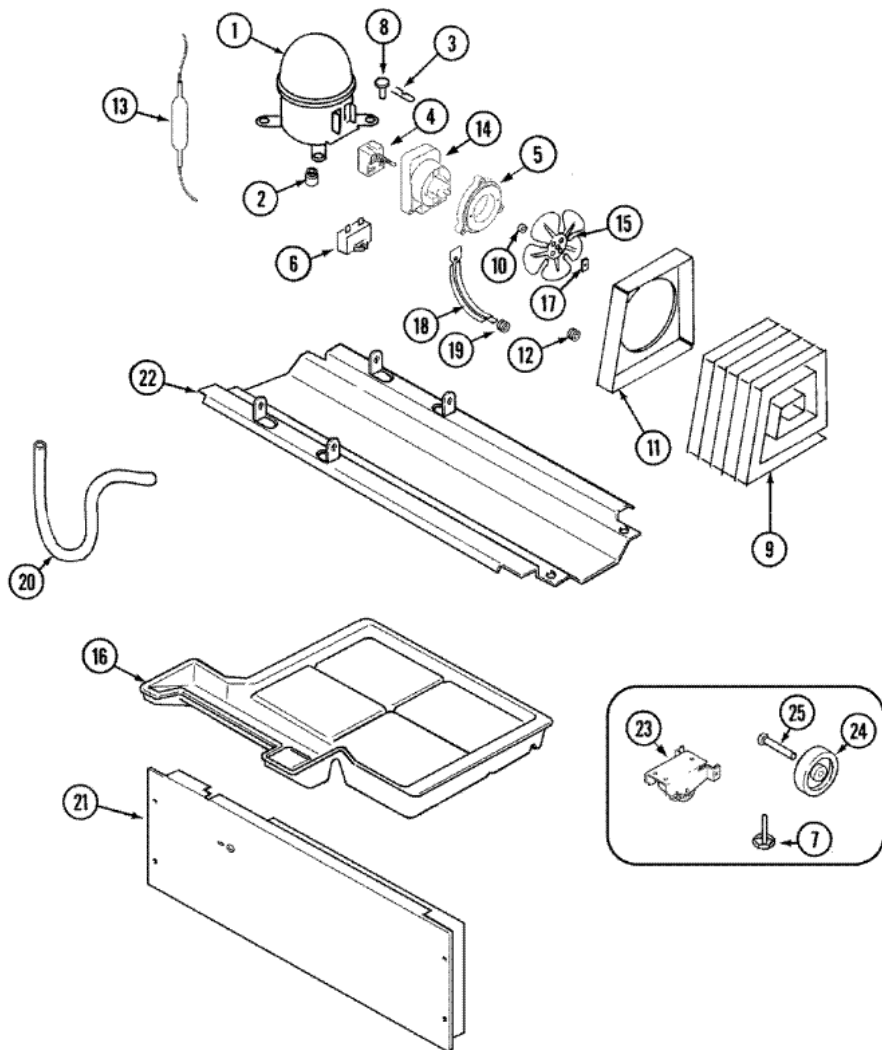
1	61005322	WIRE HARNESS, COMPRESSOR (S/P)
1	12001872	KIT, COMPRESSOR (R134A) (S/P)
2	61005241	GROMMET, COMPRESSOR (S/P)
3	61005561	CLIP, COMPRESSOR (S/P)
4	12002782	RELAY/OVERLOAD ASSY. (S/P)
5	61005325	ADAPTER, FAN MOTOR (S/P)
5	61005326	SCREW (S/P)
6	65889-4	CAPACITOR, RUN (S/P)
7	61002014	LEG, LEVELING (S/P)
8	61006030	PLUG, COMPRESSOR (S/P)
9	61004378	SCREW (S/P)
9	61005427	CONDENSER (S/P)
10	61001686	WASHER, FAN BLADE (S/P)
11	61001941	SHROUD, CONDENSER (S/P)
12	61002033	GROMMET, CONDENSER TUBING (S/P)
13	13900-1	DRIER (S/P)
14	61005323	MOTOR, CONDENSER FAN
14	61005324	SCREW (S/P)
15	12587601	BLADE, CONDENSER FAN (S/P)
16	61004095	PAN, DRAIN (S/P)
17	486692	CLIP, FAN BLADE (S/P)
18	69181-1	BRACKET, FAN MOTOR (S/P)
19	61004743	GROMMET, BRACKET (S/P)
20	61006123	TUBE, DRAIN TRAP (S/P)
21	61004397	COVER, COMPRESSOR COMPARTMENT (S/P)
21	61005388	SCREW (S/P)
22	61005242	PAN, COMPRESSOR MTG. (S/P)
22	61002407	SCREW (S/P)
23	61005165	SCREW (S/P)
23	61005216	WHEEL ASSY. (FRT) (S/P)
24	61003826	WHEEL (REAR) (S/P)
25	61002104	PIN, WHEEL (S/P)
26	12001492	YODER LOOP HEATER REPAIR (115V (S/P)

Distribuidor Autorizado

SurteRápido.com

Venta de Refacciones
Electrodomesticas

CTL1511GEW COMPRESSOR REV.17





CTL1511GEW COMPRESSOR REV.17

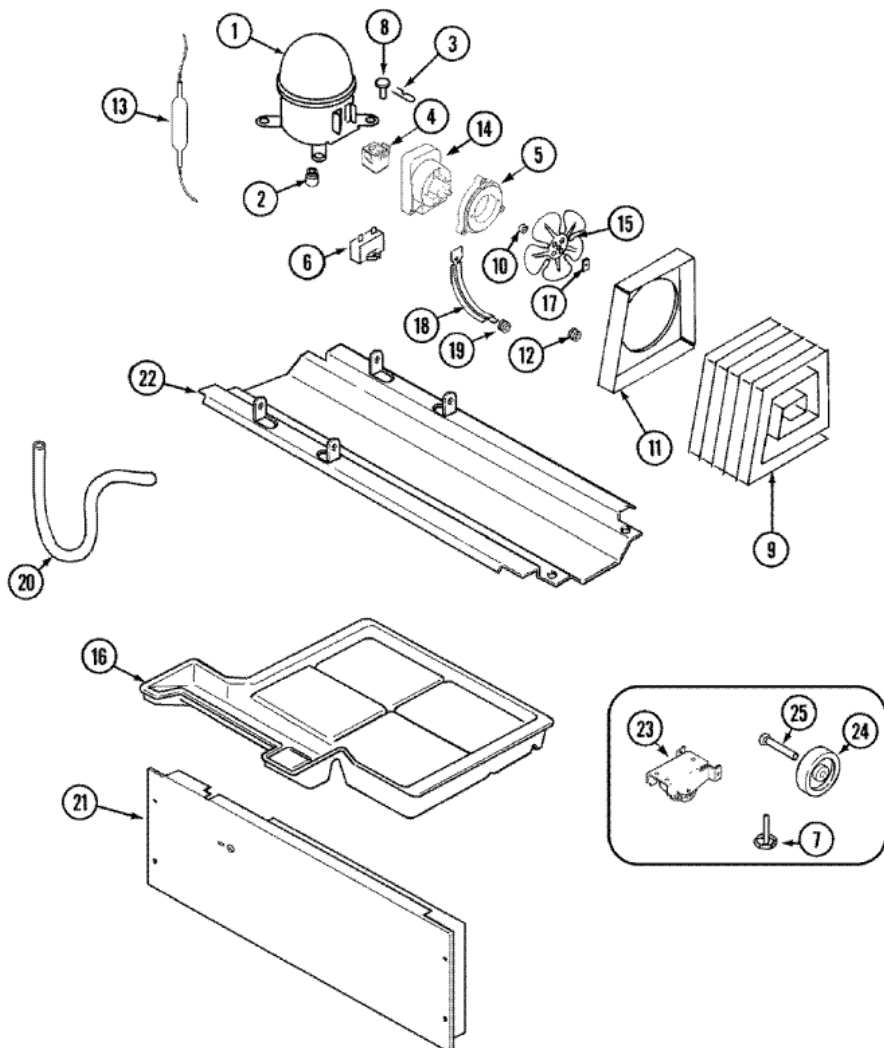
1	12001872	KIT, COMPRESSOR (S/P)
1	61006023	WIRE HARNESS, COMPRESSOR (S/P)
2	61005241	GROMMET, COMPRESSOR (S/P)
3	61005561	CLIP, COMPRESSOR (S/P)
4	61006029	CLIP, RETAINER (S/P)
4	61006022	RELAY/OVERLOAD ASSY. (S/P)
5	61005326	SCREW (S/P)
5	61005325	ADAPTER, FAN MOTOR (S/P)
6	65889-4	CAPACITOR, RUN (S/P)
7	61002014	LEG, LEVELING (S/P)
8	61006030	PLUG, COMPRESSOR (S/P)
9	61004378	SCREW (S/P)
9	61005427	CONDENSER (S/P)
10	61001686	WASHER, FAN BLADE (S/P)
11	61001941	SHROUD, CONDENSER (S/P)
12	61002033	GROMMET, CONDENSER TUBING (S/P)
13	13900-1	DRIER (S/P)
14	61005324	SCREW (S/P)
14	61005323	MOTOR, CONDENSER FAN
15	12587601	BLADE, CONDENSER FAN (S/P)
16	61004095	PAN, DRAIN (S/P)
17	486692	CLIP, FAN BLADE (S/P)
18	69181-1	BRACKET, FAN MOTOR (S/P)
19	61004743	GROMMET, BRACKET (S/P)
20	61006123	TUBE, DRAIN TRAP (S/P)
21	61004397	COVER, COMPRESSOR COMPARTMENT (S/P)
21	61005388	SCREW (S/P)
22	61002407	SCREW (S/P)
22	61005242	PAN, COMPRESSOR MTG. (S/P)
23	61005216	WHEEL ASSY. (FRT) (S/P)
24	61003826	WHEEL (REAR) (S/P)
25	61002104	PIN, WHEEL (S/P)
26	12001492	YODER LOOP HEATER REPAIR (115V (S/P)

Distribuidor Autorizado

SurteRápido.com

Venta de Refacciones
Electrodomesticas

CTL1511GEW COMPRESOR REV.18





CTL1511GEW COMPRESSOR REV.18

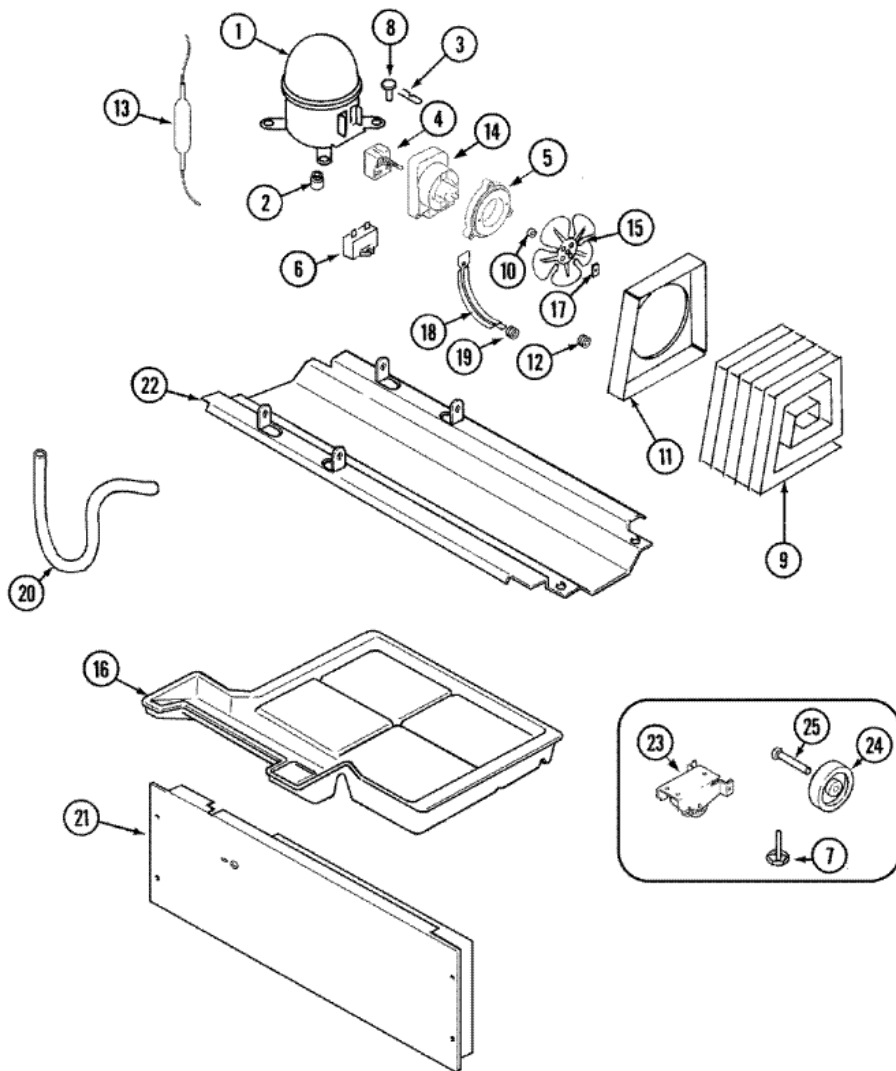
1	61005322	WIRE HARNESS, COMPRESSOR (S/P)
1	12001872	KIT, COMPRESSOR (R134A) (S/P)
2	61005241	GROMMET, COMPRESSOR (S/P)
3	61005561	CLIP, COMPRESSOR (S/P)
4	12002782	RELAY/OVERLOAD ASSY. (S/P)
5	61005325	ADAPTER, FAN MOTOR (S/P)
5	61005326	SCREW (S/P)
6	65889-4	CAPACITOR, RUN (S/P)
7	61002014	LEG, LEVELING (S/P)
8	61006030	PLUG, COMPRESSOR (S/P)
9	61004378	SCREW (S/P)
9	61005427	CONDENSER (S/P)
10	61001686	WASHER, FAN BLADE (S/P)
11	61001941	SHROUD, CONDENSER (S/P)
12	61002033	GROMMET, CONDENSER TUBING (S/P)
13	13900-1	DRIER (S/P)
14	61005324	SCREW (S/P)
14	61005323	MOTOR, CONDENSER FAN (S/P)
15	12587601	BLADE, CONDENSER FAN (S/P)
16	61004095	PAN, DRAIN (S/P)
17	486692	CLIP, FAN BLADE (S/P)
18	69181-1	BRACKET, FAN MOTOR (S/P)
19	61004743	GROMMET, BRACKET (S/P)
20	61006123	TUBE, DRAIN TRAP
21	61004397	COVER, COMPRESSOR COMPARTMENT (S/P)
21	61005388	SCREW (S/P)
22	61002407	SCREW (S/P)
22	61005242	PAN, COMPRESSOR MTG. (S/P)
23	61005216	WHEEL ASSY. (FRT) (S/P)
23	61005165	SCREW (S/P)
24	61003826	WHEEL (REAR) (S/P)
25	61002104	PIN, WHEEL (S/P)
26	12001492	YODER LOOP HEATER REPAIR (115V (S/P)

Distribuidor Autorizado

SurteRápido.com

Venta de Refacciones
Electrodomesticas

CTL1511GEW COMPRESOR REV.19





CTL1511GEW COMPRESSOR REV.19

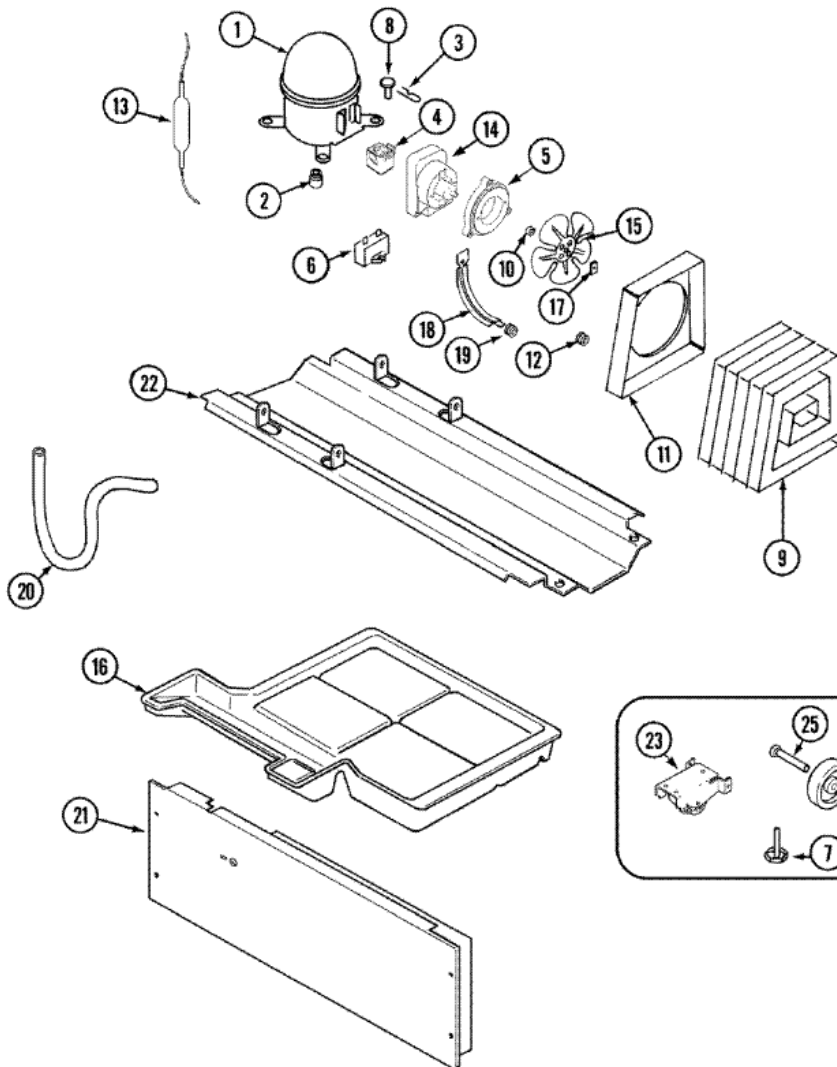
1	12001872	KIT, COMPRESSOR (S/P)
1	61006023	WIRE HARNESS, COMPRESSOR (S/P)
2	61005241	GROMMET, COMPRESSOR (S/P)
3	61005561	CLIP, COMPRESSOR (S/P)
4	61006029	CLIP, RETAINER (S/P)
4	61006022	RELAY/OVERLOAD ASSY. (S/P)
5	61005326	SCREW (S/P)
5	61005325	ADAPTER, FAN MOTOR (S/P)
6	65889-4	CAPACITOR, RUN (S/P)
7	61002014	LEG, LEVELING (S/P)
8	61006030	PLUG, COMPRESSOR (S/P)
9	61005427	CONDENSER (S/P)
10	61001686	WASHER, FAN BLADE (S/P)
11	61001941	SHROUD, CONDENSER (S/P)
12	61002033	GROMMET, CONDENSER TUBING (S/P)
13	13900-1	DRIER (S/P)
14	61005324	SCREW (S/P)
14	61005323	MOTOR, CONDENSER FAN
15	12587601	BLADE, CONDENSER FAN (S/P)
16	61004095	PAN, DRAIN (S/P)
17	486692	CLIP, FAN BLADE (S/P)
18	69181-1	BRACKET, FAN MOTOR (S/P)
19	61004743	GROMMET, BRACKET (S/P)
20	61006123	TUBE, DRAIN TRAP (S/P)
21	61005388	SCREW (S/P)
21	61004397	COVER, COMPRESSOR COMPARTMENT (S/P)
22	61002407	SCREW (S/P)
22	61005242	PAN, COMPRESSOR MTG. (S/P)
23	61005216	WHEEL ASSY. (FRT) (S/P)
23	61005165	SCREW (S/P)
24	61003826	WHEEL (REAR) (S/P)
25	61002104	PIN, WHEEL (S/P)
26	12001492	YODER LOOP HEATER REPAIR (115V (S/P)

Distribuidor Autorizado

SurteRápido.com

Venta de Refacciones
Electrodomesticas

CTL1511GEW COMPRESOR REV.20

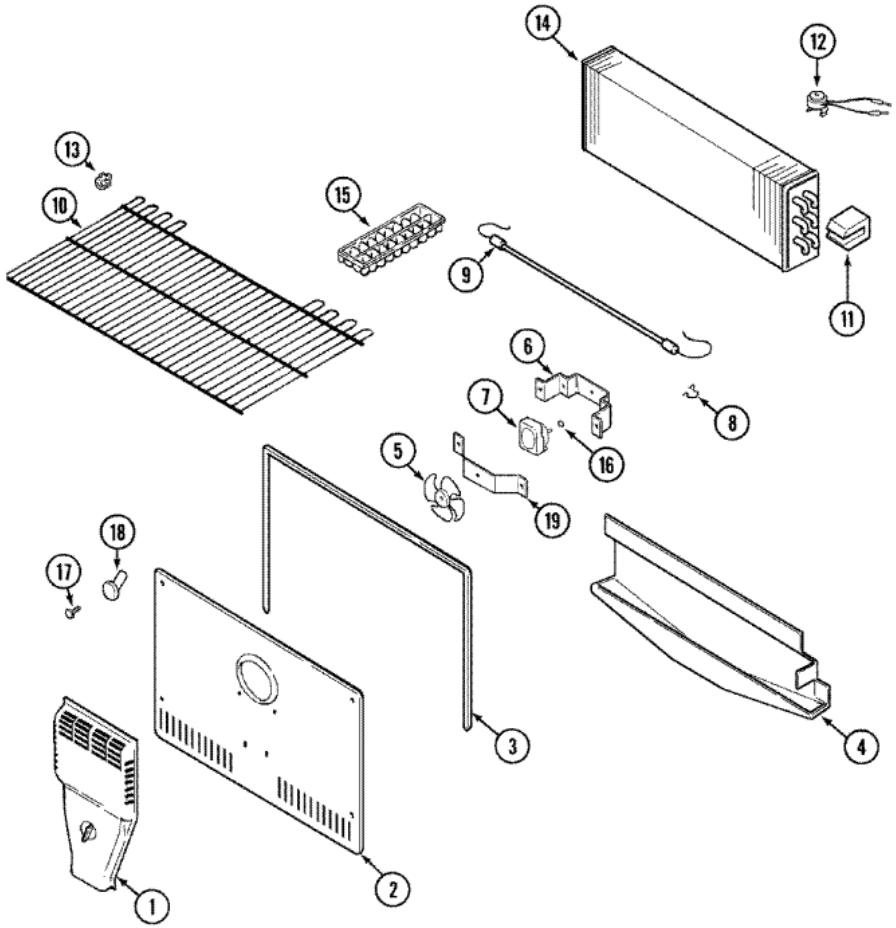




CTL1511GEW COMPRESSOR REV.20

1	61005322	WIRE HARNESS, COMPRESSOR (S/P)
1	12001872	KIT, COMPRESSOR (R134A) (S/P)
2	61005241	GROMMET, COMPRESSOR (S/P)
3	61005561	CLIP, COMPRESSOR (S/P)
4	12002782	RELAY/OVERLOAD ASSY. (S/P)
5	61005325	ADAPTER, FAN MOTOR (S/P)
5	61005326	SCREW (S/P)
6	65889-4	CAPACITOR, RUN (S/P)
7	61002014	LEG, LEVELING (S/P)
8	61006030	PLUG, COMPRESSOR (S/P)
9	61004378	SCREW (S/P)
9	61005427	CONDENSER (S/P)
10	61001686	WASHER, FAN BLADE (S/P)
11	61001941	SHROUD, CONDENSER (S/P)
12	61002033	GROMMET, CONDENSER TUBING (S/P)
13	13900-1	DRIER (S/P)
14	61005324	SCREW (S/P)
14	61005323	MOTOR, CONDENSER FAN
15	12587601	BLADE, CONDENSER FAN (S/P)
16	61004095	PAN, DRAIN (S/P)
17	486692	CLIP, FAN BLADE (S/P)
18	69181-1	BRACKET, FAN MOTOR (S/P)
19	61004743	GROMMET, BRACKET (S/P)
20	61006123	TUBE, DRAIN TRAP (S/P)
21	61005388	SCREW (S/P)
21	65275-1	SCREW (S/P)
21	61004397	COVER, COMPRESSOR COMPARTMENT (S/P)
22	61005242	PAN, COMPRESSOR MTG. (S/P)
23	61005165	SCREW (S/P)
23	61005216	WHEEL ASSY. (FRT) (S/P)
24	61003826	WHEEL (REAR) (S/P)
25	61002104	PIN, WHEEL (S/P)
26	12001492	YODER LOOP HEATER REPAIR (115V (S/P)

**CTL1511GEW FREEZER
 COMPARTMENT**

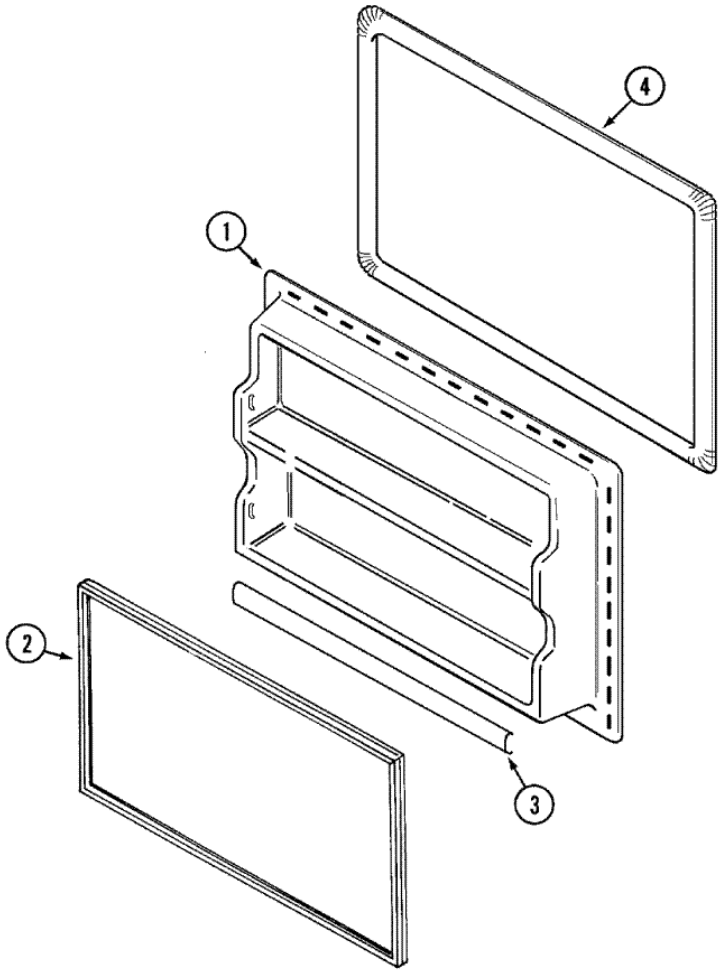




CTL1511GEW FREEZER COMPARTMENT

1	61001943	TUNNEL, AIR (S/P)
2	61002429	SCREW (S/P)
2	61002106	DESCONTINUADO
2	61001952	PLUG BUTTON, EVAP. COVER (S/P)
3	61001967	SEAL, FOAM (CTR.) (S/P)
3	61004560	SEAL, EVAPORATOR COVER (S/P)
4	61004830	TRAY, DRIP (S/P)
4	61004832	BARRIER, FOIL (S/P)
5	61001935	BLADE, EVAPORATOR FAN (S/P)
6	61005240	SCREW (S/P)
6	61001930	BRACKET, EVAPORATOR FAN (S/P)
7	61005935	MOTOR, EVAPORATOR FAN (W/LEAD) (S/P)
7	61005339	MOTOR, EVAPORATOR FAN
8	61006173	CLIP, DEFROST HEATER (S/P)
9	61001946	HEATER, DEFROST (S/P)
10	61002141	SHELF, FREEZER (S/P)
11	61004835	SUPPORT, EVAPORATOR (LT) (S/P)
11	61004836	SUPPORT, EVAPORATOR (RT) (S/P)
12	61005254	THERMOSTAT, DEFROST
13	61002142	SUPPORT, FRZ. SHELF (FRT) (S/P)
13	61002143	SUPPORT, FRZ. SHELF (REAR) (S/P)
14	12001396	EVAP/HEAT EXCH. ASSY. 15 & 17 (S/P)
15	59281-2	TRAY, ICE (S/P)
16	61005341	BUSHING, EVAPORATOR FAN (S/P)
17	61005015	PLUG BUTTON, ICE MAKER (S/P)
18	61002109	CAP, FILL TUBE (S/P)
19	61005340	RETAINER, EVAPORATOR FAN (S/P)
19	61005240	SCREW (S/P)
20	61005521	WIRE HARNESS, FRZ. (S/P)
20	61006025	WIRE HARNESS, FRZ. (S/P)

CTL1511GEW FREEZER INNER DOOR





CTL1511GEW FREEZER INNER DOOR

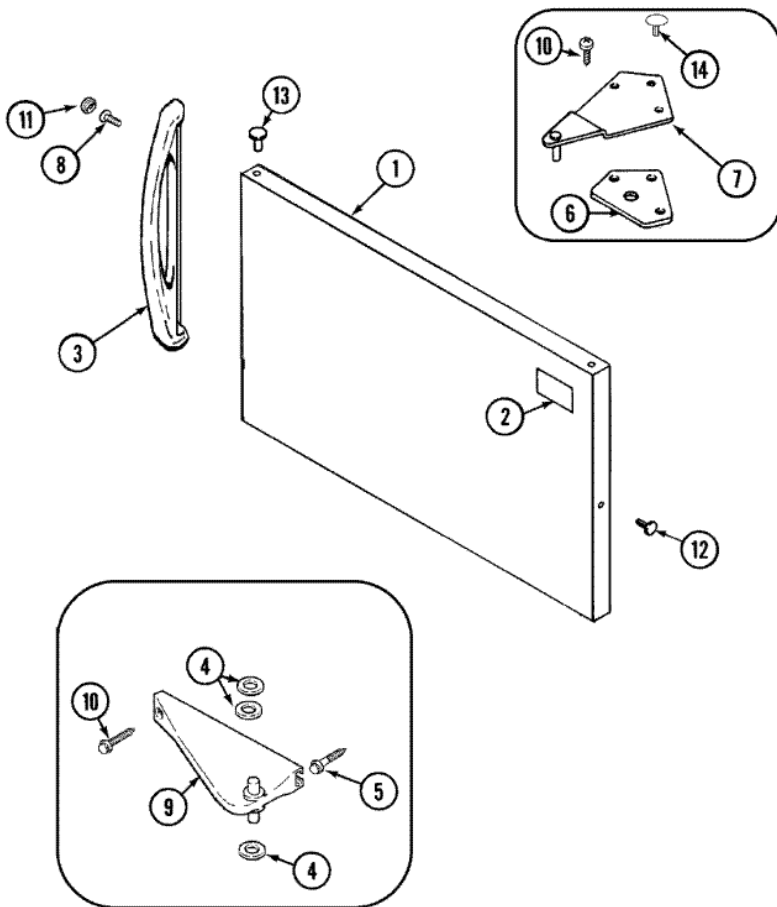
1	61005522	INSULATION, LINER SUPPORT (S/P)
1	61001927	LINER, FRZ. DOOR (S/P)
1	61002229	INSERT, LINER SUPPORT (S/P)
1	61005388	SCREW (S/P)
2	61004002	SEAL, FRZ. DOOR (WHT) (S/P)
3	61001962	TRIM, DOOR SHELF (20 7/8``) (S/P)
4	61005523	SEAL, SECONDARY DOOR (S/P)
4	56686-5	CLIP, SECONDARY SEAL (S/P)

Distribuidor Autorizado

SurteRápido.com

Venta de Refacciones
Electrodomesticas

CTL1511GEW FREEZER OUTER DOOR

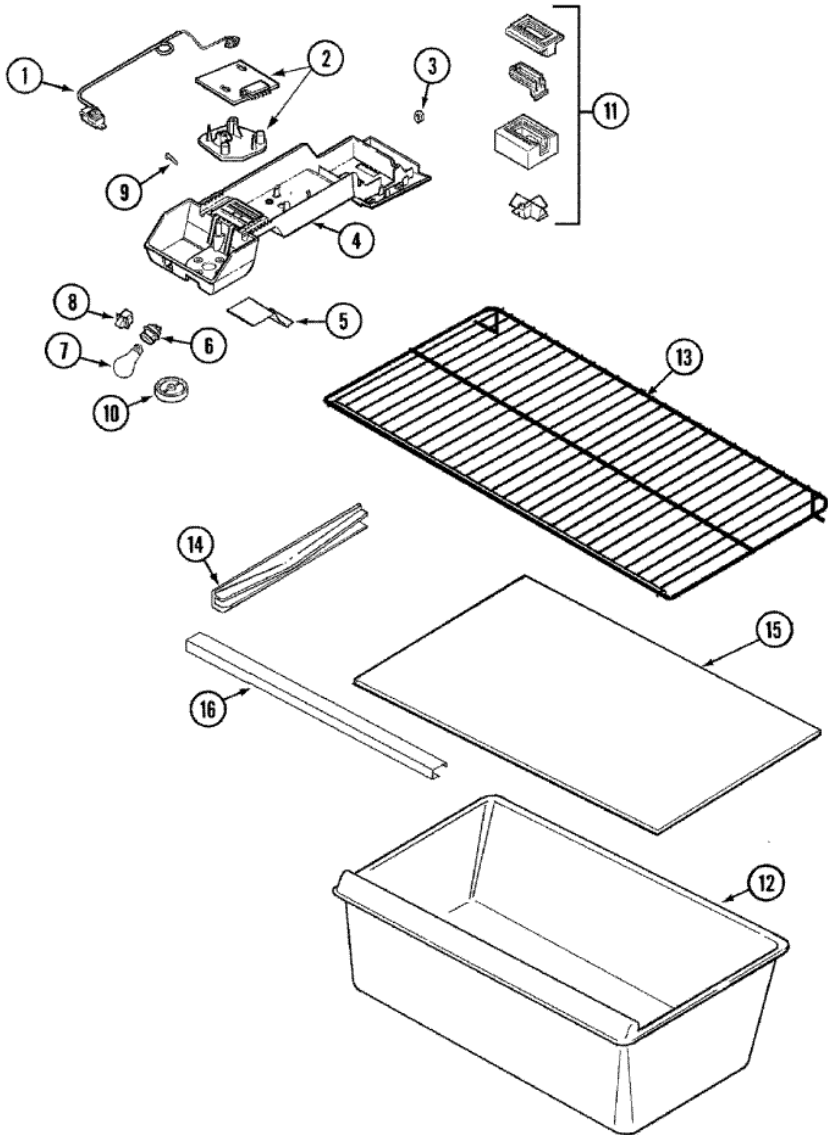




CTL1511GEW FREEZER OUTER DOOR

1	61002197	PANEL, FRZ. DOOR (WHT) (S/P)
1	61005735	LABEL, DUAL ENERGY GUIDE (S/P)
2	66982-31	NAMEPLATE (WHT) (S/P)
3	61002017	HANDLE, DOOR (WHT) (S/P)
4	61002231	WASHER, HINGE (S/P)
5	61002025	SCREW (S/P)
6	61001922	SHIM, UPPER HINGE (S/P)
7	61004896	HINGE, UPPER (S/P)
8	61002912	ANCHOR, SCREW (S/P)
8	61002031	SCREW, HANDLE (S/P)
9	61001920	HINGE, CENTER (WHT) (S/P)
10	61003128	SCREW (S/P)
10	61004763	SCREW (S/P)
11	69922-1	PLUG BUTTON, HANDLE (WHT) (S/P)
12	61001910	PLUG BUTTON, HANDLE HOLE (WHT) (S/P)
13	61001908	PLUG BUTTON, HINGE CUP (WHT) (S/P)
14	61001923	PLUG BUTTON, HINGE (WHT) (S/P)

**CTL1511GEW FRESH FOOD
COMPARTMENT REV.10-14**





**CTL1511GEW FRESH FOOD
COMPARTMENT REV.10-14**

1	65275-81	SCREW (S/P)
1	61005789	CONTROL ASSY., TEMPERATURE (S/P)
1	61005789	CONTROL ASSY., TEMPERATURE (S/P)
2	405007-1	SCREW (S/P)
2	61005988	DEFROST ASSY., ADAPTIVE
3	61001977	SEAL, DRAIN (S/P)
4	61005519	HOUSING, CONTROL (S/P)
4	61004485	SCREW (S/P)
5	61003861	FOIL, HEAT SHIELD (S/P)
6	61005604	RECEPTACLE, BULB (S/P)
7	31956-1	BULB, LIGHT (S/P)
8	61003026	SWITCH, LIGHT (S/P)
9	61002117	CLIP, RECEPTACLE (S/P)
10	61006072	KNOB, CONTROL (F.F.)
11	12001838	DAMPER/INSULATION KIT (S/P)
12	61001933	DESCONTINUADO
13	61001950	SHELF (S/P)
14	61004887	RAIL, CRISPER PAN (RT) (S/P)
14	61004886	RAIL, CRISPER PAN (LT) (S/P)
14	400017-1	SCREW (S/P)
15	12001442	KIT, CRISPER SHELF (W/RAIL) (S/P)
16	61001961	TRIM, GLASS (S/P)
17	61002988	WIRE HARNESS, CONTROLS (S/P)

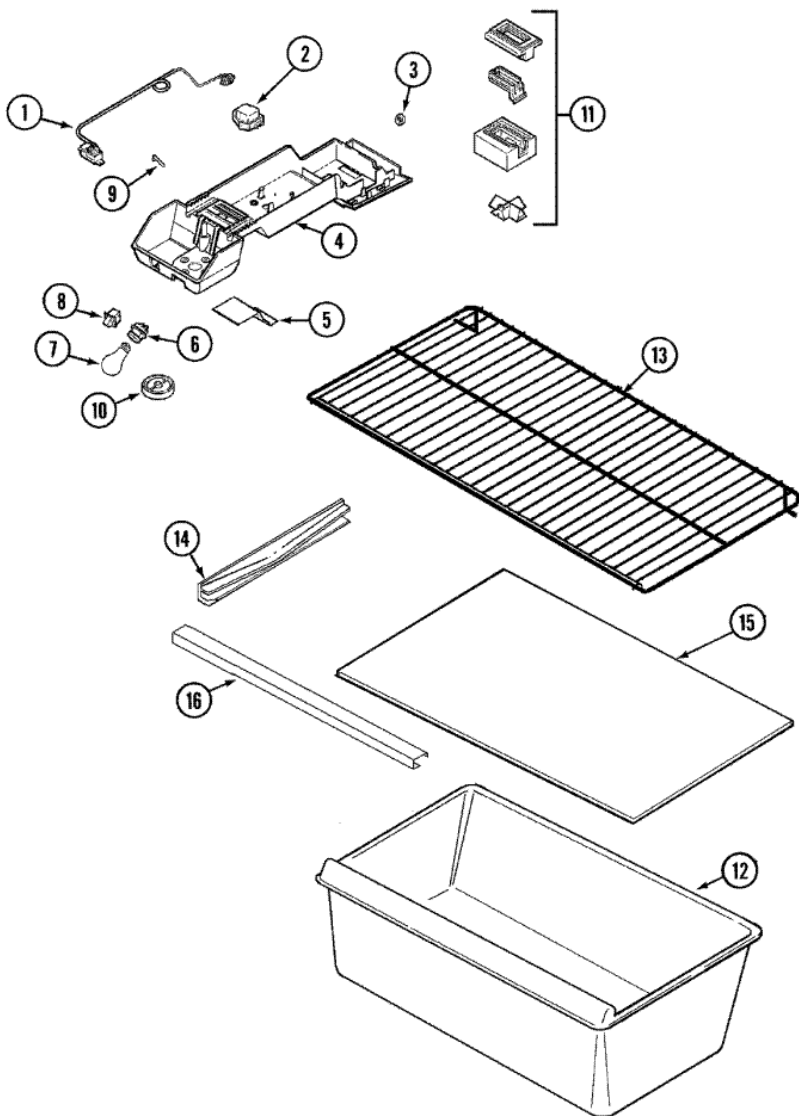
Distribuidor Autorizado

SurteRápido.com

Venta de Refacciones
Electrodomesticas



CTL1511GEW FRESH FOOD COMPARTMENT REV.15

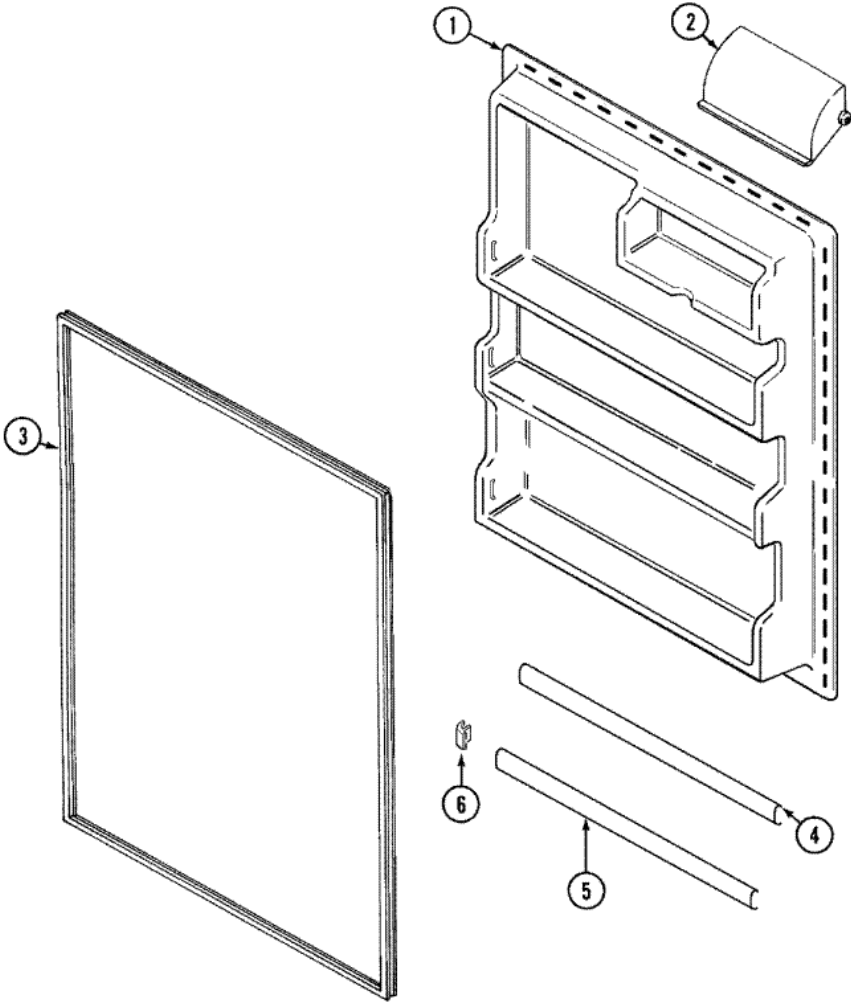




**CTL1511GEW FRESH FOOD
COMPARTMENT REV.15**

1	65275-81	SCREW (S/P)
1	61005789	CONTROL ASSY., TEMPERATURE (S/P)
2	405007-1	SCREW (S/P)
2	68233-2	TIMER, DEFROST (S/P)
3	61001977	SEAL, DRAIN (S/P)
4	61004485	SCREW (S/P)
4	61004946	HOUSING, CONTROL (S/P)
5	61003861	FOIL, HEAT SHIELD (S/P)
6	61005604	RECEPTACLE, BULB (S/P)
7	31956-1	BULB, LIGHT (S/P)
8	61006075	SWITCH, LIGHT (S/P)
8	61003026	SWITCH, LIGHT (S/P)
9	61002117	CLIP, RECEPTACLE (S/P)
10	61006072	KNOB, CONTROL (F.F.)
11	12001838	DAMPER/INSULATION KIT (S/P)
12	61001933	DESCONTINUADO
13	61001950	SHELF (S/P)
14	61004886	RAIL, CRISPER PAN (LT) (S/P)
14	61004887	RAIL, CRISPER PAN (RT) (S/P)
14	400017-1	SCREW (S/P)
15	12001442	KIT, CRISPER SHELF (W/RAIL) (S/P)
16	61001961	TRIM, GLASS (S/P)
17	61002212	WIRE HARNESS, CONTROLS (S/P)

**CTL1511GEW FRESH FOOD INNER
DOOR**

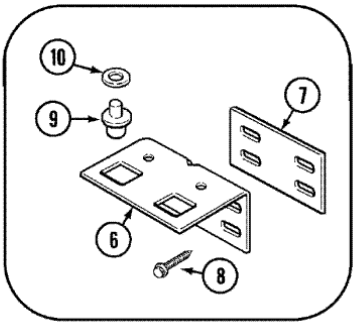
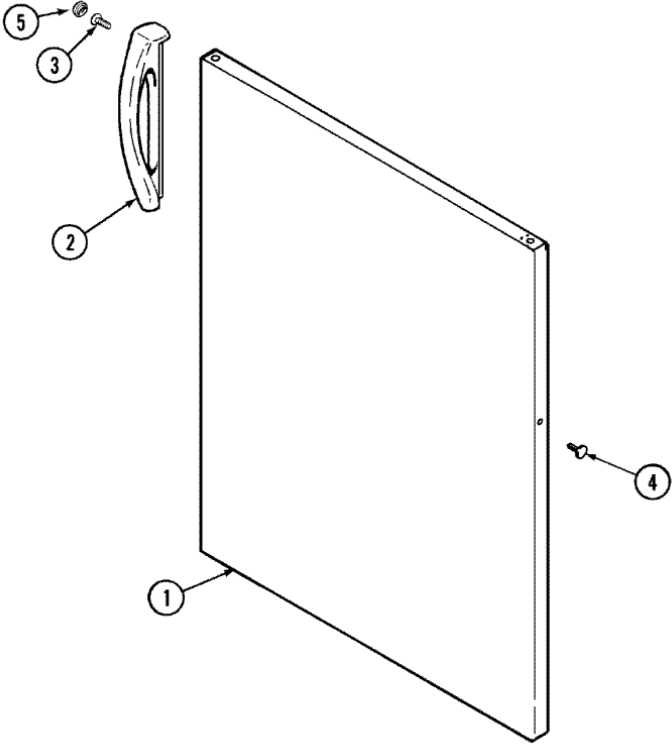




CTL1511GEW FRESH FOOD INNER DOOR

1	61005388	SCREW (S/P)
1	61003027	LINER, F.F. DOOR (S/P)
1	61002225	INSUL., F.F. LINER SUPPORT (S/P)
1	61002226	INSERT, LINER SUPPORT (S/P)
2	61002469	DOOR, DAIRY (S/P)
3	61004003	SEAL, F.F. DOOR (WHT) (S/P)
4	61001965	TRIM, DOOR SHELF (21``) (S/P)
5	61001964	TRIM, SHELF (21 5/8``) (S/P)
6	61002112	END CAP, SHELF TRIM (S/P)

**CTL1511GEW FRESH FOOD OUTER
DOOR**





**CTL1511GEW FRESH FOOD OUTER
DOOR**

1	61002195	PANEL, F.F. DOOR (WHT) (S/P)
2	61002016	HANDLE, DOOR (WHT) (S/P)
3	61002912	ANCHOR, SCREW (S/P)
3	61002031	SCREW, HANDLE (S/P)
4	61001910	PLUG BUTTON, HANDLE HOLE (WHT) (S/P)
5	69922-1	PLUG BUTTON, HANDLE (WHT) (S/P)
6	61001918	HINGE, LOWER (WHT) (S/P)
7	61001926	SHIM, LOWER HINGE (S/P)
8	61002022	SCREW (S/P)
9	12002047	PIN, LOWER HINGE (S/P)
10	61002231	WASHER, HINGE (S/P)