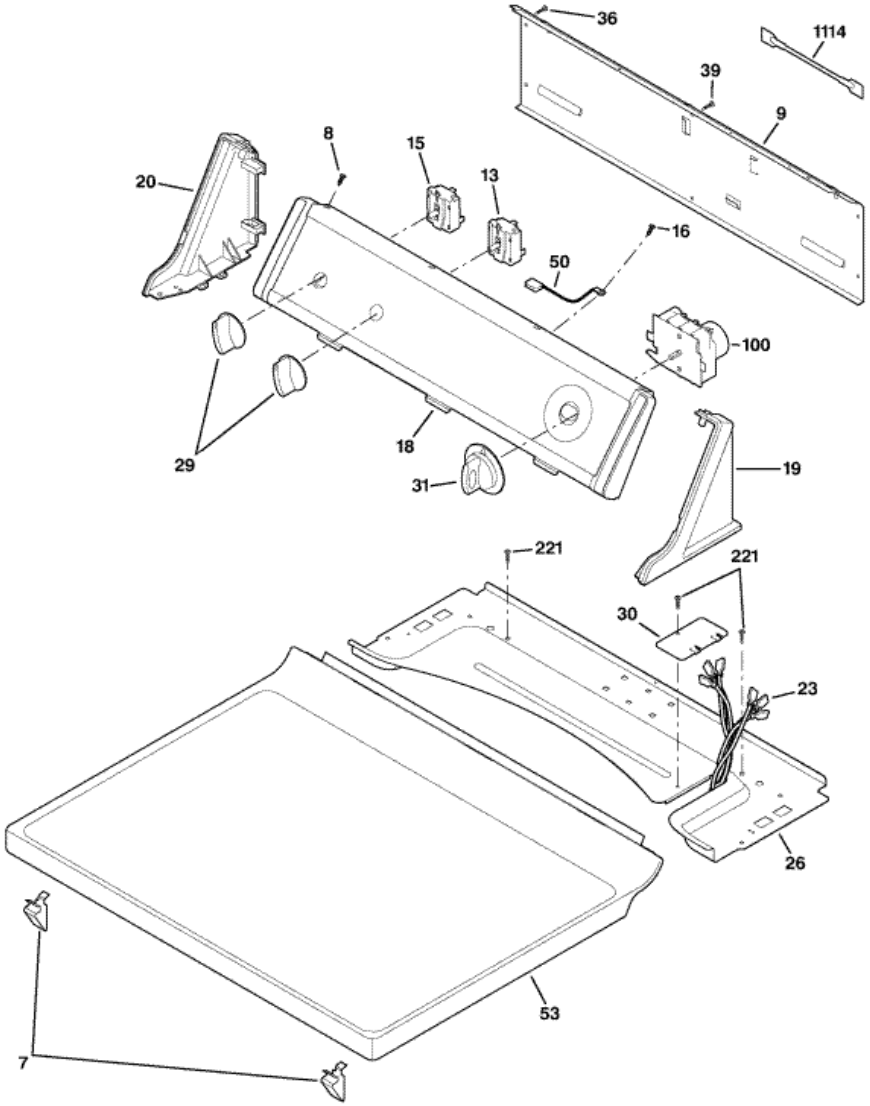


**DBL333EB0CC TABLERO**

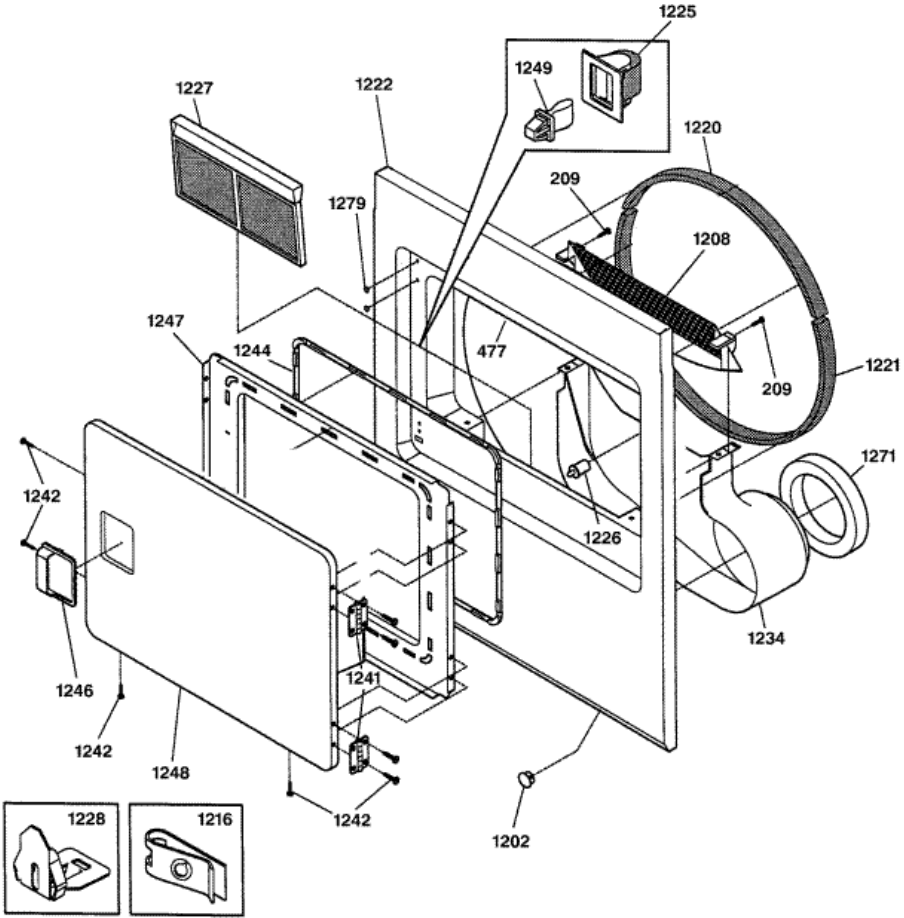




**DBL333EB0CC TABLERO**

7	WE2X10009	CLIP-TOP FRONT/PANEL (S/P)
8	WE2X10021	SCR 8-18 X .50 FLT HD/SN (S/P)
9	WE20X10010	PANEL BACK (S/P)
13	WE4X10037	SELECTOR SWITCH ASM (S/P)
15	WE4X881	SWITCH-START
16	WE2X10050	SCREW (S/P)
18	WE19X10054	TRIMPLATE (S/P)
18	WE19X10059	TRIMPLATE (S/P)
19	WE19X10020	END CAP R.H. WH (S/P)
19	WE19X10060	END CAP R.H. (S/P)
20	WE19X10022	END CAP L.H. WH (S/P)
20	WE19X10061	END CAP L.H. (S/P)
23	WE8X10009	HARNESS (S/P)
26	WE19X10035	CONSOLE BOTTOM (S/P)
29	WH1X10060	KNOB-SELECTOR (S/P)
29	WH1X10140	KNOB-SELECTOR (S/P)
30	WE1X10034	COVER PLATE (S/P)
31	WE1X10141	KNOB-TIMER (S/P)
31	WE1X10146	KNOB-TIMER (S/P)
36	WH2X10007	SCW #8 PAN HD 10-10BX.50 (S/P)
39	WH2X10013	SCREW, 8-18 X 1/2 (S/P)
50	WE8X10006	GROUND WIRE (S/P)
53	WE20X10011	PANEL TOP WH (S/P)
53	WE20X10048	PANEL-TOP (S/P)
100	WH12X10079	TIMER (S/P)
221	WH1X10004	SCREW 8-18 AB X .375 (S/P)
1114	WE4X752	RESISTOR-POWER, 4.4K (S/P)

**DBL333EB0CC PUERTA**





## DBL333EB0CC PUERTA

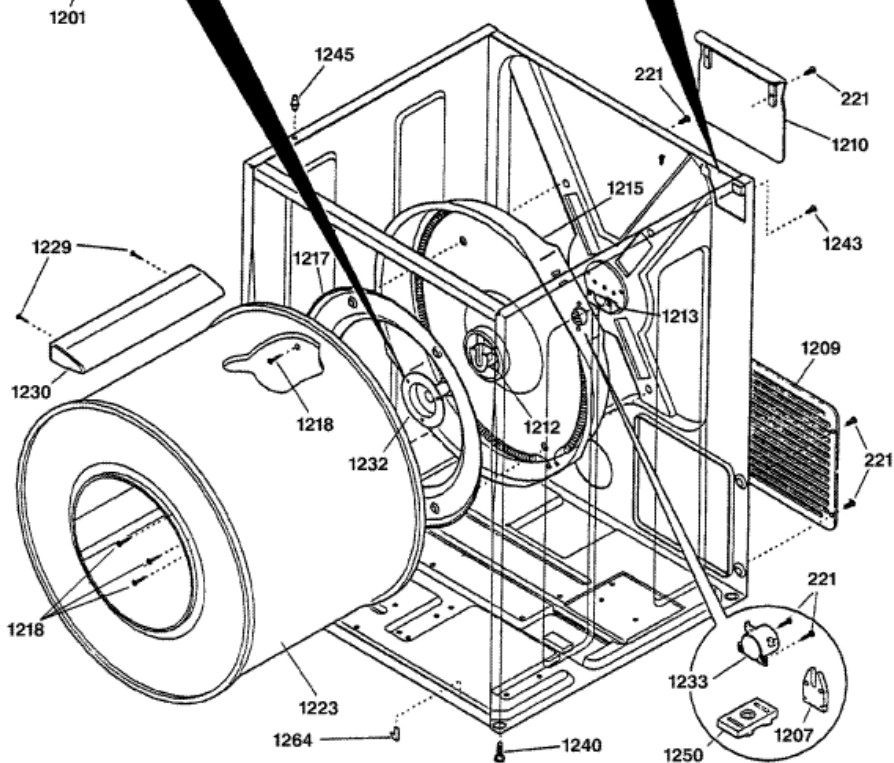
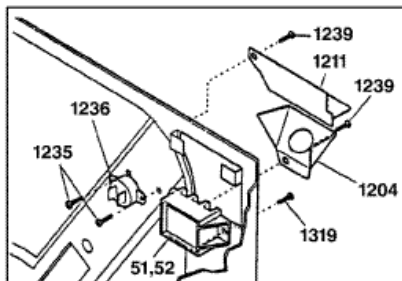
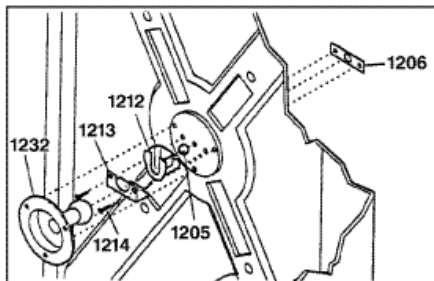
209	WH2X10009	SCREW-LOCK, 10-16 X .500 (S/P)
477	WE1X10137	PLUG-LIGHT HOLE (S/P)
1202	WE1X10088	PLUG BISQUE (S/P)
1202	WE1X10010	PLUG WH (S/P)
1208	WE18X10001	COVER-LINT TRAP (S/P)
1216	WE2X10010	CLIP-WIRING (S/P)
1220	WE3X73	GLIDE-DRUM (S/P)
1221	WE9X105	SEAL BASKET LOWER
1222	WE20X10049	PANEL-FRONT (S/P)
1222	WE20X10012	PANEL FRONT WH (S/P)
1225	WE1X10023	DOOR CATCH (S/P)
1226	WE4X10034	SWITCH-DOOR W/O LITE (S/P)
1227	WE18X10002	LINT TRAP (S/P)
1228	WE2X361	CLIP-GUIDE (S/P)
1234	WE14X10022	DUCT-AIR (S/P)
1241	WE1X10012	HINGE DOOR (S/P)
1242	WH2X10038	SCREW, 8-18 AB X .44 (S/P)
1244	WE9X107	GASKET DOOR (S/P)
1246	WE1X10089	HANDLE-DOOR CC (S/P)
1246	WE1X10013	HANDLE-DOOR WH (S/P)
1247	WE10X10008	PANEL-INNER DOOR WH (S/P)
1248	WE10X10012	DOOR-OUTER, BISQUE (S/P)
1248	WE10X10002	DOOR-OUTER WH (S/P)
1249	WE1X1158	STRIKE DOOR (S/P)
1271	WE9X10004	SEAL AIR DUCT (S/P)
1279	WE1X10011	PLUG WH (S/P)
1279	WE1X10090	PLUG CC (S/P)

Distribuidor Autorizado

SurteRápido.com

Venta de Refacciones  
Electrodomesticas

# DBL333EB0CC TAMBOR

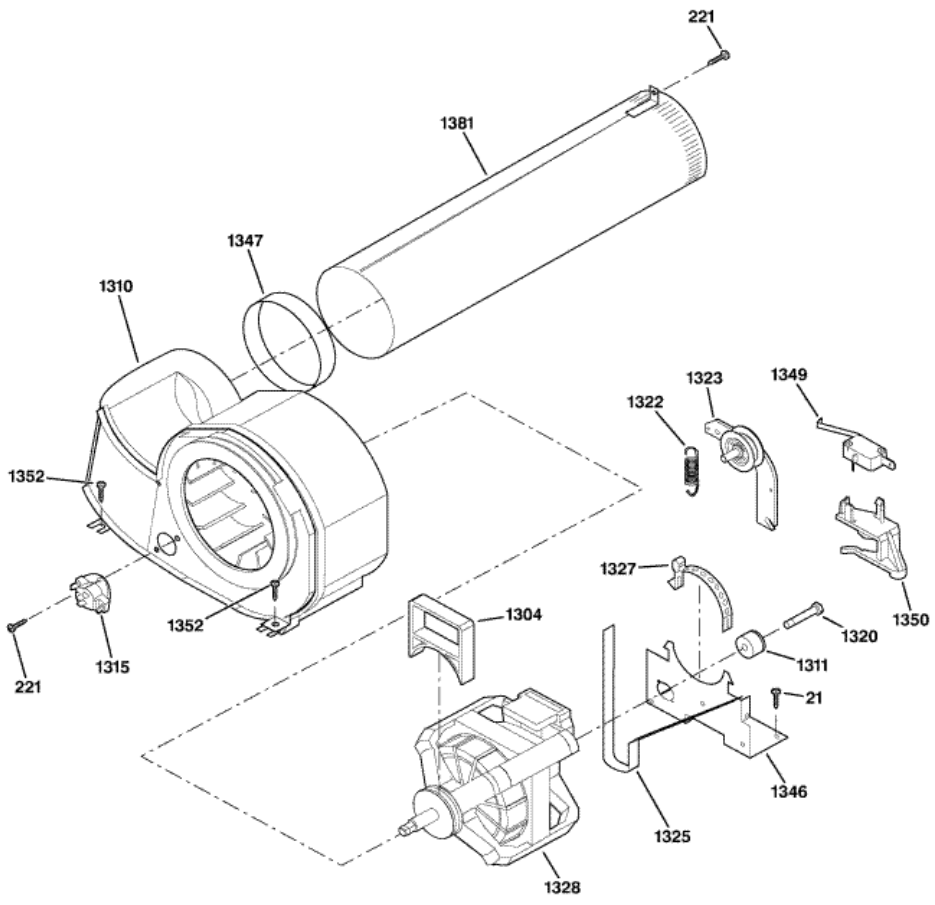




## DBL333EB0CC TAMBOR

51	WE4X716	BLOCK-TERMINAL (S/P)
52	WE2X10024	SCREW-TERM BLK (3) (S/P)
221	WH1X10004	SCREW 8-18 AB X .375 (S/P)
1201	WE25X10001	KIT REAR BEARING (S/P)
1204	WE13X10010	BRACKET CORD (S/P)
1205	WE1X1152	BALL (S/P)
1206	WE2X358	CLIP BALL (S/P)
1207	WE4X10026	INSULATOR, HEATER HSNQ (S/P)
1209	WE20X10009	PANEL-ACCESS (S/P)
1210	WE11X10002	<b>DESCONTINUADO</b>
1211	WE20X10005	COVER TERM BLOCK (S/P)
1212	WE3X70	BEARING-DRUM SUPPORT (S/P)
1213	WE13X10009	BRACKET BEARING (S/P)
1214	WE2X10005	SCREW, 10-16B X 1.375 (S/P)
1215	WE14X10015	HEATER-HOUSING ASS'Y (S/P)
1217	WE14X202	BAFFLE-HEATER (S/P)
1218	WE2X10006	SCREW 10-16 X.375 (S/P)
1223	WE21X10003	DRUM ASM. (S/P)
1229	WE2X10007	SCREW-VANE (S/P)
1230	WE21X69	VANE (S/P)
1232	WE13X10011	SHAFT SUPPORT (S/P)
1233	WE4X757	THERMOSTAT-SAFETY (S/P)
1235	WE2X10033	SCREW 6-20 X .230 (S/P)
1236	WE25X10011	THERMAL LIMITER (S/P)
1239	WE2X10011	SCREW, 8-18 X .375 (S/P)
1240	WE2X10012	FOOT-CABINET (S/P)
1243	WE2X10020	SCREW, 8-18 AB X.44 (S/P)
1245	WE1X10035	PIN-LOCATING (S/P)
1250	WE4X10027	BLOCK TERM HEATER HSG (S/P)
1264	WE2X10013	CLIP CABINET BTM (S/P)
1319	WE2X10017	SCREW 10-16 X .75 (S/P)

**DBL333EB0CC MOTOR**





## DBL333EB0CC MOTOR

21	WR2X9494	SCREW PANEL (S/P)
221	WH1X10004	SCREW 8-18 AB X .375 (S/P)
1304	WE1X10016	LOCK FAN HOUSING (S/P)
1310	WE14X10025	BLOWER HOUSING ASM (S/P)
1311	WE1X10029	SPACER IDLER (S/P)
1315	WE4X10028	THERMOSTAT-CONTROL (S/P)
1320	WE2X10014	SCREW HX HD 1/4-20TX1.25 (S/P)
1322	WE1X10027	SPRING IDLER (S/P)
1323	WE1X10218	ASMY-IDLER BRKT & PULLEY (S/P)
1325	WE12X10009	BELT-DRYER (S/P)
1327	WE1X10003	CLAMP MOTOR (S/P)
1328	WE17X10002	MOTOR & PULLEY (S/P)
1346	WE13X10006	BRACKET MOTOR (S/P)
1347	WE9X10003	SEAL EXHAUST TUBE (S/P)
1349	WE4X10096	SWITCH-BELT (S/P)
1350	WE13X10008	BRACKET BELT SWITCH (S/P)
1352	WH2X10028	SCREW-BRACKET 10-16X.625 (S/P)
1381	WE14X10007	TUBE ASM EXHAUST (S/P)