

Distribuidor Autorizado

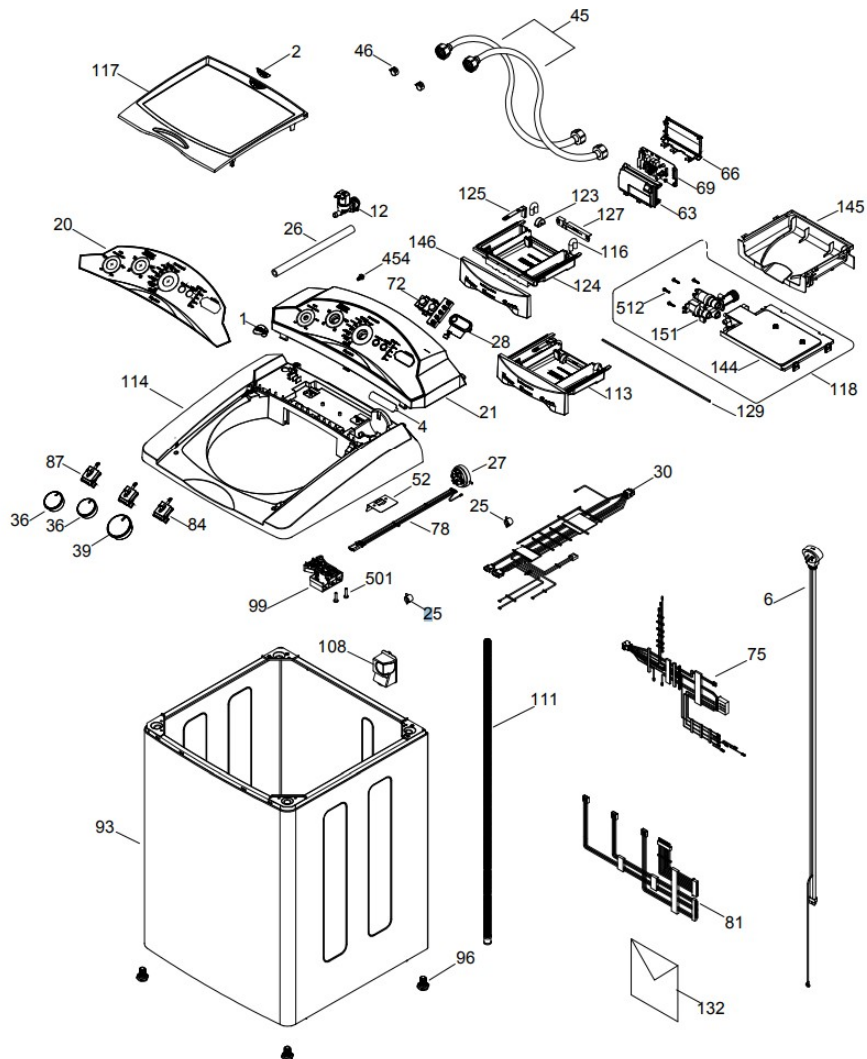
SurteRápido.com

Venta de Refacciones
Electrodomesticas

Lavadora Mabe DCA17385XBB00

COPETE / BACKSPLASH
GABINETE Y CUBIERTA / CABINET & COVER

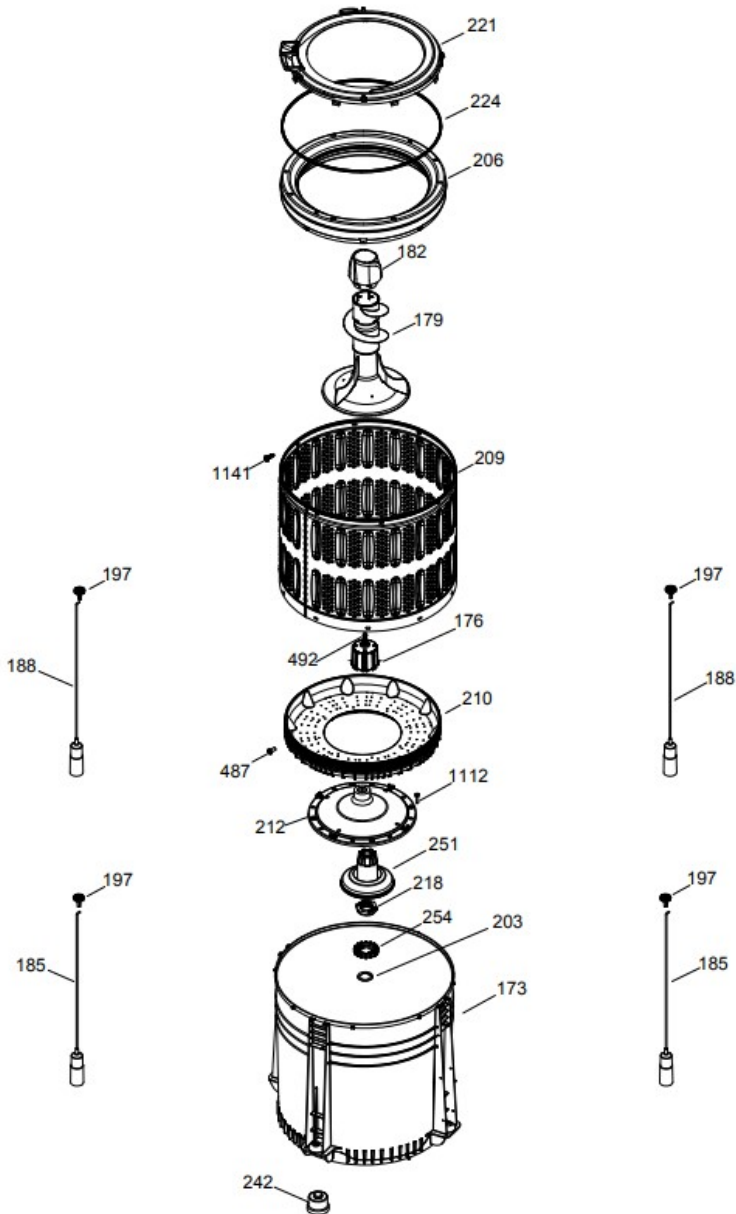
DCA17385XBB00
DCA17385XGG00



Lavadora Mabe DCA17385XBB00

PARTES PARA TINA
 TUB BASKET & AGITATOR

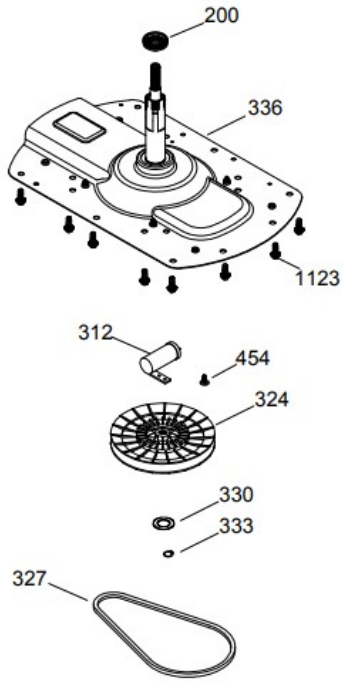
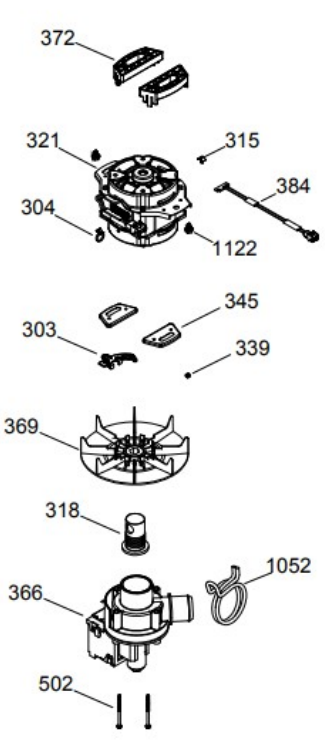
DCA17385XBB00
 DCA17385XGG00



Lavadora Mabe DCA17385XBB00

DCA17385XBB00
 DCA17385XGG00

SISTEMA MOTORIZADO
 PULP & DRIVE COMPONENTS





Lavadora Mabe DCA17385XBB00

Guía	Componente	Descripción
1	323B2569P002	LOGO CENTRALES
2	323B2304P002	LOGO GOTA
4	277B1190P001	LOGO
6	189D3208P002	CABLE TOMACORRIENTE
12	323B1472P002	UNIVALVULA
20	233D1532P002	OVERLAY
21	189D3331P008	PAINEL DE CONTROLE
25	323B1408P001	ABRAZADERA MANGUERA
26	277B1147P001	MANGUERA
27	228C2084P006	PRESOSTATO
28	323B2625G002	DELAY START ENS
30	189D3983G006	ARNES GABINETE
30	189D3983G009	ARNES GABINETE
36	323B2342G018	PERILLA ROTATORIA
39	323B2343G002	ENS. PERILLA CONTROL
39	323B2343G013	ENS. PERILLA CONTROL
45	233D1368G001	MANGUERA
45	233D2851G001	MANGUERA
46	277B1146P002	ABRAZADERA MANGUERA
52	228C2385P001	SOPORTE METALICO
63	189D5318P001	PROTECTOR TARJETA
66	189D5218P001	PROTECTOR BASE TARJETA
69	T09G17R14	TARJETA TNT
72	189D2761G009	BOTON SELECTOR
75	189D3832G008	ARNES CUBIERTA
78	189D3652G002	ARNES PRESOSTATO
81	189D3653G005	ARNES SELECTOR
84	228C1256G005	SELECTOR PROGRAMA



Lavadora Mabe DCA17385XBB00

Guía	Componente	Descripción
87	228C1256G002	SELECTOR 5 PROGRAMAS
93	189D2655G009	ENS. GABINETE 10KG CURVO
93	189D2655G011	ENS. GABINETE 10KG CURVO
96	228C1202P001	PATA NIVELADORA
99	228C2107P002N	ENS. BLOCAPUERTAS
99	253C1215P001	ENS. BLOCAPUERTAS
108	323B2659P001	TAPA MANGUERA
111	253C1066G002	MANGUERA
113	233D1185G023	CAJON SIPHON ENS
114	189D3057P004F	CUBIERTA IGUAZU BLANCO MABE
116	277B1063P001	SIFON
117	189D3157G015	TAPA
118	189D3114G023F	REGADERA Y VAVULA ENSAMBLE
123	277B1075P001	SIFON CUADRADO
124	233D1144P003F	CAJON DESPACHADOR
124	233D1144P003	CAJON DESPACHADOR
124	233D1144P001	CAJON DESPACHADOR
125	277B1064P001	CLIP DESPACHADOR
127	253C1056P001	PARED DESPACHADOR
129	277B1172P001	SELLO REGADERA
132	233D1397G002	BOLSA ACCESORIOS
144	189D3115G005F	REGADERA MULTIPLE ENS
145	189D3063P007F	BASE DISPENSER GRIS 221C
146	323B2286G020	MASCARA IGUAZU
151	189D3116P005	VALVULA ENT 3 VIAS
151	189D3116P017	VALVULA ENT 3 VIAS
173	189D2668P002	TINA
173	189D2668P003	TINA



Lavadora Mabe DCA17385XBB00

Guía	Componente	Descripción
176	189D3624P001F	COPE AGITADOR LOW COS
179	189D3746G001	ENS. AGITADOR
182	189D5059P001	TAPA AGITADOR
185	189D3916G011	ENS. VARILLA
188	189D3916G012	ENS. VARILLA
197	228C2372P001	ROTULA
200	228C2451P001	SELLO TINA
200	228C2451P003	SELLO TINA
203	323B2127P001	ARANDELA
206	189D1111G005	ARO DE BALANCE ENS
209	189D3561P006	CANASTA
210	189D3562P002F	FONDO PLASTICO
210	189D3562P003	FONDO PLASTICO
210	189D3562P001	FONDO PLASTICO
212	189D3533P001C	FONDO CANASTA FLOTADOR
212	189D3533P001L	FONDO CANASTA FLOTADOR
212	233D2211G001	FONDO CANASTA
218	228C2160P001	TUERCA AMAZ IZQ.
221	189D2789P001	CUBIERTA TINA
221	189D2789P003	CUBIERTA TINA
224	228C1177P002	SELLO TINA
242	228C2217P001F	TAPON TUBO PRESOSTATO
242	228C2217P001	TAPON TUBO PRESOSTATO
242	228C2217P002	TAPON TUBO PRESOSTATO
251	189D3590G001	ENS. FLOTADOR
254	228C2415P001	EMBRAGUE FIJO
256	189D3533P001	FONDO CANASTA
256	233D2211G001	FONDO CANASTA



Lavadora Mabe DCA17385XBB00

Guía	Componente	Descripción
303	228C2110P001	SOPORTE TARJETA
303	253C1058P001	SOPORTE TARJETA
303	253C1142P003	SOPORTE TARJETA
304	143B9478P001	CINCHO ESPADA (BOMBA Y ARNES)
312	228C1259P001	CAPACITOR
315	323B1365P001	BOTON MONTAJE
318	228C2136P001	SELLO BOMBA
321	189D4153P002	ENS. MOTOR
321	233D1560P001	ENS. MOTOR
324	189D2652P001	POLEA TRANSMISION
327	228C2115P003	BANDA UNIFICADA
327	228C2115P004	BANDA UNIFICADA
330	323B2052P001	ARANDELA DE FRICCION
333	323B2000P001	ANILLO DE RETENCION
336	189D3593G001	SOPORTE LOW CO
339	323B1279P002	OPRESOR POLEA
345	323B2167P001	REFUERZO MOTOR
366	233D1148P001	BOMBA UNIFICADA
366	233D2229P001	BOMBA UNIFICADA
369	189D2645G002C	POLEA MOTOR AMAZONA ENS
369	189D2645G002L	POLEA MOTOR AMAZONA ENS
372	228C2112P001	ESPACIADOR MOTOR
372	253C1092P002	ESPACIADOR MOTOR
384	228C2076P003	TARJETA SENSOR
384	253C1058P001	TARJETA SENSOR
384	253C1142P003	TARJETA SENSOR
454	323B2186P001	TORNILLO VALVULA
454	8911201P341	TORNILLO VALVULA



Lavadora Mabe DCA17385XBB00

Guía	Componente	Descripción
487	323B2433P001	TORNILLO
492	323B1346P001	TORNILLO C/GROMET COPLÉ
492	323B1346P004	TORNILLO C/GROMET COPLÉ
501	323B2092P001	TORNILLO LID LOCK
502	323B2145P001	TORNILLO BOMBA
512	323B2575P001	TORNILLO VALVULA
1052	323B2665P002	ABRAZADERA
1112	8911238P041	TORNILLO FONDO CANASTA
1122	323B2094P001	TORNILLO SUJECION
1123	323B2190P002	TORNILLO
1141	323B1193P001	TORNILLO