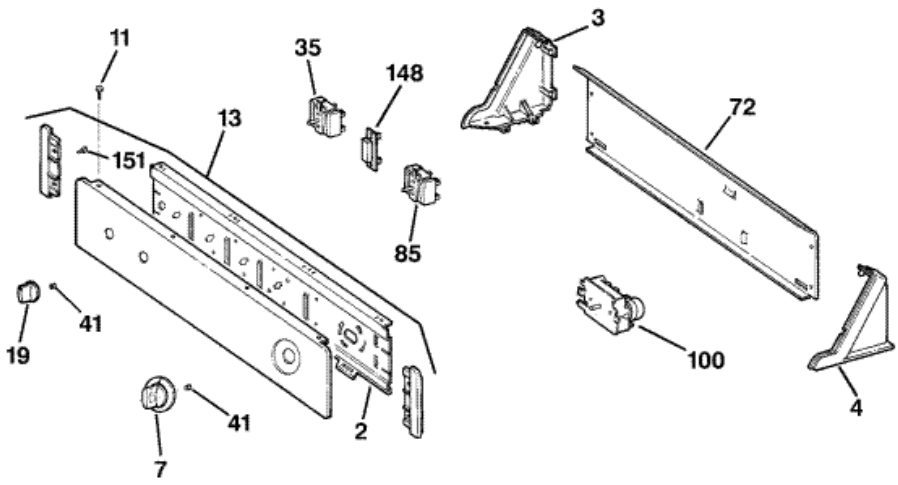


DCLR333ET0WW TABLERO

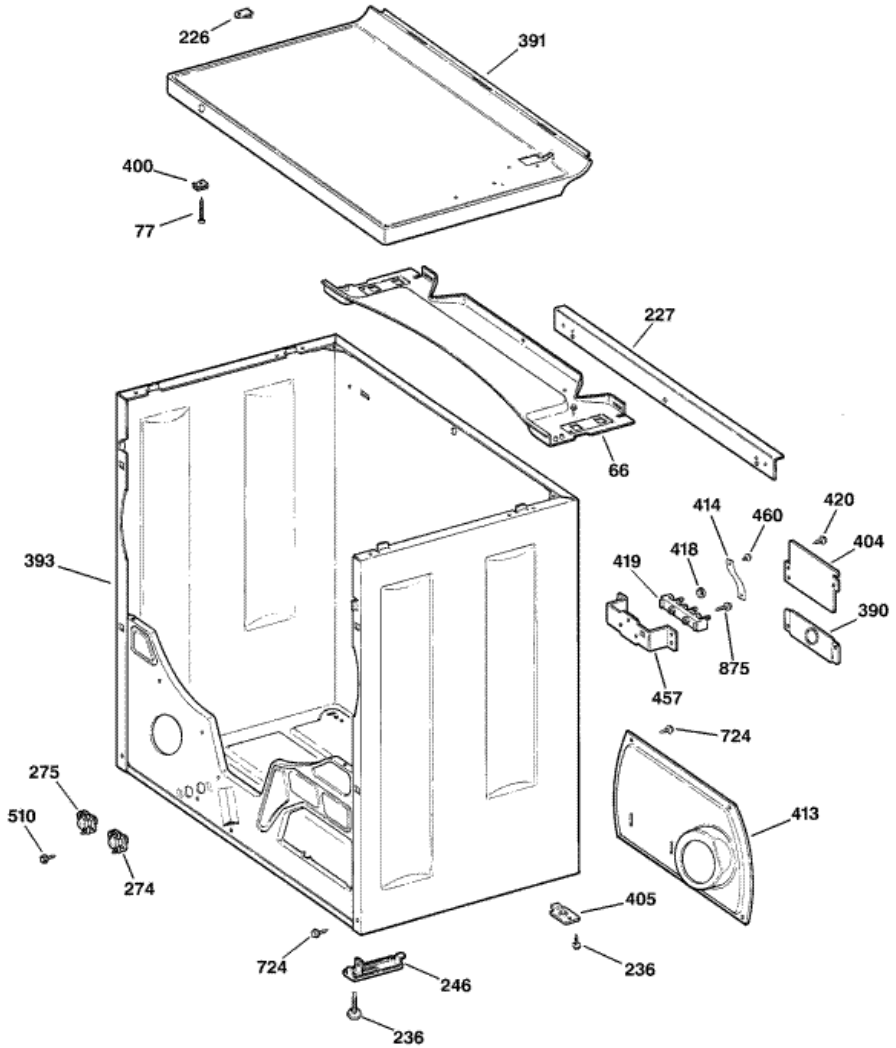




DCLR333ET0WW TABLERO

2	WH46X10019	SUPPORT SWITCH (S/P)
3	WH42X10710	END CAP LH (S/P)
3	WE19X1002	END CAP L.H. (S/P)
4	WE19X1003	END CAP R.H. (S/P)
4	WH42X10711	END CAP RH (S/P)
7	WE1X1263	KNOB, TIMER
7	WE1X1264	KNOB, TIMER (S/P)
7	WE1X1267	KNOB TIMER WH
11	WH2X1206	SCR 8-18 AB FLT 5/8 SN (S/P)
11	WH2X1219	SCR 8-18 AB FLT 5/8 SN (S/P)
13	WE19X985	CONTROL PANEL ASM (S/P)
13	WE19X987	CONTROL PANEL ASM (S/P)
13	WE19X991	DESCONTINUADO
13	WE19X994	DESCONTINUADO
13	WE19X999	DESCONTINUADO
13	WE19X986	CONTROL PANEL ASM (S/P)
13	WE19X988	CONTROL PANEL ASM (S/P)
13	WE19X993	CONTROL PANEL ASM (S/P)
13	WE19X998	DESCONTINUADO
19	WH1X2721	KNOB & CLIP ASM (S/P)
19	WH1X2756	KNOB & CLIP ASM (S/P)
19	WE1X1208	KNOB & CLIP ASM AD (S/P)
35	WE4X881	SWITCH ROTARY START
41	WE1X980	U CLIP (S/P)
72	WE20X814	PANEL BACK (S/P)
85	WE4X880	SWITCH ROTARY TEMP (S/P)
85	WE4X873	DESCONTINUADO
100	WE4X871	TIMER (S/P)
100	WE4X882	TIMER DRYER (S/P)
100	WE4X872	TIMER (S/P)
148	WE4X799	RESISTOR & BOARD ASM (S/P)
151	WH2X1210	SCR 8-18 B IHW 1/2 S N (S/P)
207	WE17X53	SWITCH-START FORM J MTR. (S/P)

DCLR333ET0WW GABINETE

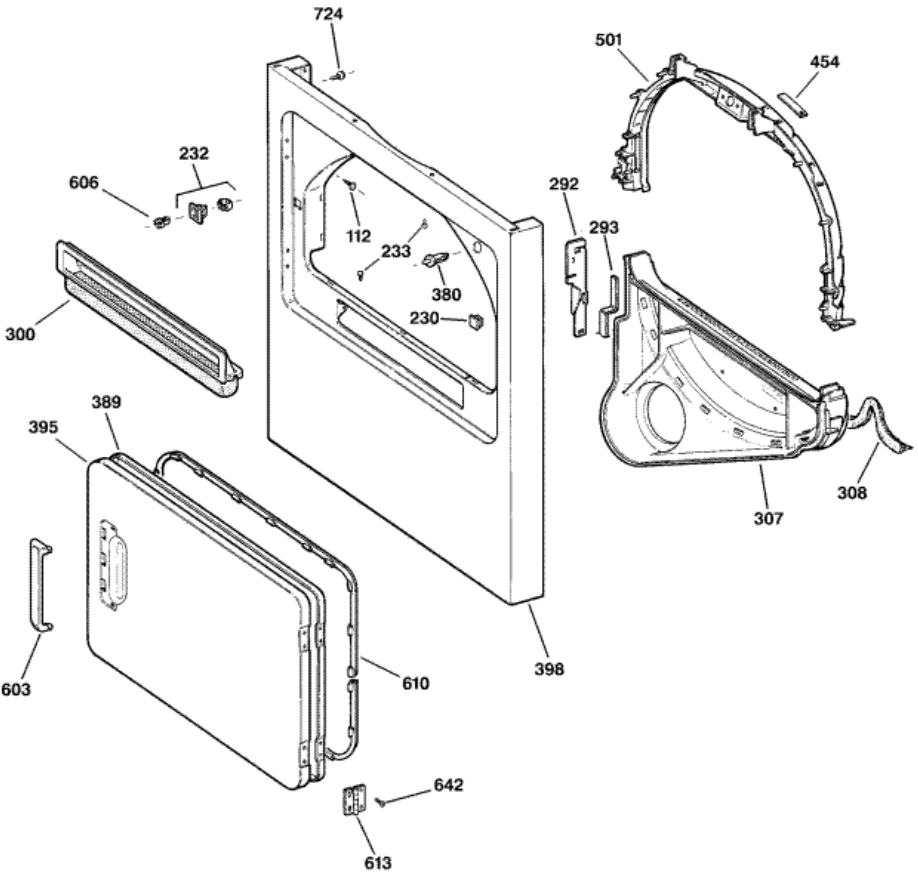




DCLR333ET0WW GABINETE

66	WE19X1001	COVER BOTTOM (S/P)
77	WE2X377	SCR 8-18 AB OVP 1.75 S (S/P)
226	WH2X1154	GROMMET SCREW (S/P)
227	WE20X813	RAIL BACK (S/P)
236	WE1M642	SCREW LEVELLING 5/16-24 (S/P)
246	WE1X1190	FOOT LEVELING (S/P)
274	WE4X811	THERMOSTAT, HIGH CONTROL (S/P)
275	WE4X812	THERMOSTAT, LOW CONTROL (S/P)
275	WE1X1225	PLUG THERMOSTAT (S/P)
390	WE1X1174	PLATE (S/P)
391	WE20X815	TOP AD (S/P)
391	WE20X10011	TOP WH (S/P)
393	WE20X816	DESCONTINUADO
393	WE20X812	BASE & WRAPPER ASM AD (S/P)
400	WE02X134	CLIP (S/P)
404	WE1X425	PLATE (S/P)
405	WE1X468	PLATE LEVELING SCREW (S/P)
413	WE14X212	PANEL ACCESS (S/P)
414	WE1X339	GROUND STRAP (S/P)
418	WZ7X31	DESCONTINUADO
419	WE4X168	BLOCK TERMINAL (S/P)
420	WH2X893	SCR 10-16 HX 3/8 S (S/P)
457	WE13X162	BRACKET TERMINAL BLOCK (S/P)
460	WZ4X264	SCR 10-16 AB HXW 1 S (S/P)
510	WE2X263	SCREW 10-16X1/2 HXW (S/P)
724	WZ4X288	SCR 10-16 AB HXW 1/2S #8 (S/P)
875	WH2X930	SCR 8-18 AB HXW 3/8 S (S/P)

DCLR333ET0WW PUERTA

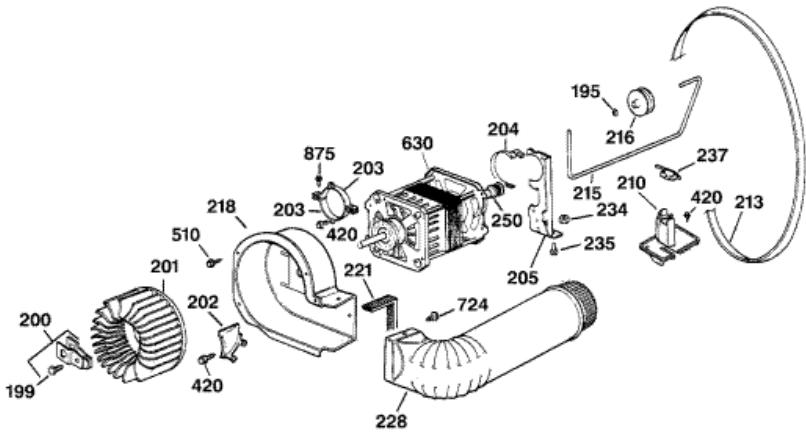
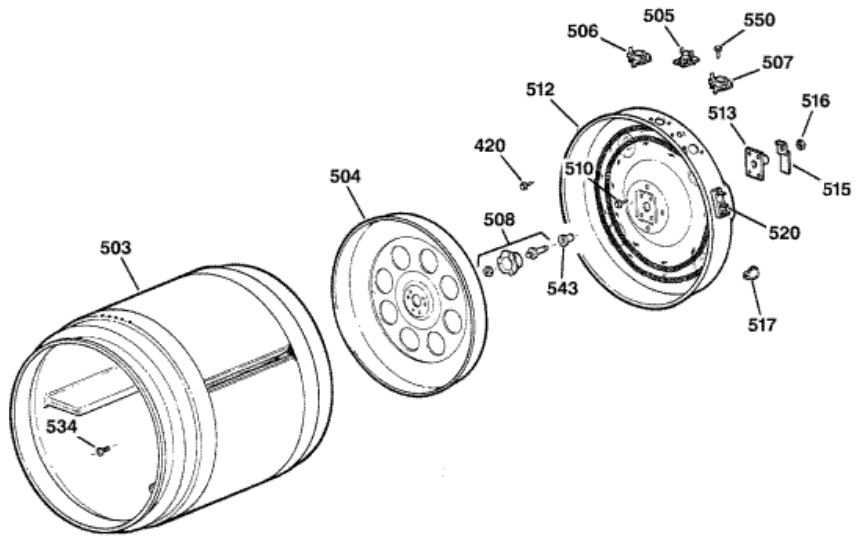




DCLR333ET0WW PUERTA

112	WR2X8693	PLUG DOOR RVSBL WH (S/P)
112	WR2X8697	PLUG DOOR RVSBL AD (S/P)
230	WE1X1230	PLUG DOOR ALMOND (S/P)
230	WE1X1224	PLUG, LATCH ASM (S/P)
232	WE1M536	LATCH DOOR (S/P)
233	WZ4X236	SCR (S/P)
292	WE13X199	SUPPORT SPANNER (S/P)
293	WE9X110	SEAL DUCT FILTER (S/P)
300	WE18X54	FILTER ASM
307	WE14X226	DUCT, AIR (S/P)
308	WE9M10	FELT DUCT
380	WE4X197	SWITCH ASM PUSH BUTTON
389	WE10X325	LINER DOOR WH (S/P)
389	WE10X330	LINER DOOR AD (S/P)
395	WE10X331	PANEL DOOR AD (S/P)
395	WE10X326	PANEL DOOR WH (S/P)
398	WE20X794	FRONT CAB AD (S/P)
398	WE20X775	FRONT CAB WH (S/P)
454	WE3X87	BEARING, SLIDE
501	WE3X77	SUPPORT FRONT BRG
603	WE1M463	HANDLE DOOR WH
603	WE1M482	HANDLE, DOOR AD (S/P)
606	WE1X1192	STRIKE DOOR (S/P)
610	WE9X1090	GASKET DOOR (S/P)
613	WE1M505	HINGE (S/P)
642	WE2X378	SCR 8-18 AB OVP 1/2 S 6H (S/P)
724	WZ4X288	SCR 10-16 AB HXW 1/2S #8 (S/P)

DCLR333ET0WW TAMBOR / MOTOR





DCLR333ET0WW TAMBOR / MOTOR

195	WH2X885	NUT (S/P)
199	WE2X280	SCR 14-10 A HX 1 S (S/P)
200	WE1X688	CLAMP
201	WE16X30	WHEEL BLOWER
202	WE1X689	BAFFLE BLOWER HOUSING (S/P)
203	WE13X200	STRAP MOTOR (S/P)
204	WE1X921	STRAP MOTOR (S/P)
205	WE13X161	BRACKET MOTOR (S/P)
210	WE13X218	HOUSING SWITCH BELT (S/P)
213	WE12X82	BELT DRIVE
215	WE3X69	SPRING IDLER (S/P)
216	WE12X83	PULLEY IDLER
218	WE14X134	HOUSING BLOWER (S/P)
221	WE1X1171	AIR SEAL (S/P)
228	WE14X213	ELBOW EXHAUST (S/P)
234	WE2X154	DESCONTINUADO
235	WE2X194	SCR (S/P)
237	WE4X532	SWITCH ASM (S/P)
250	WE12X41	PULLEY DRIVE
420	WH2X893	SCR 10-16 HX 3/8 S (S/P)
503	WE21X10001	DRUM ASM (S/P)
504	WE14X86	DEFLECTOR (S/P)
505	WE4X800	T'STAT ASM SAFETY (S/P)
506	WE4X813	THERMOSTAT ASM (S/P)
507	WE4X584	THERMOSTAT L258-50 (S/P)
508	WE25M40	SHAFT & BRACKET ASM
510	WE2X263	SCREW 10-16X1/2 HXW (S/P)
512	WE11X103	HEATER ASM (S/P)
513	WE1X461	BEARING RETAINER (S/P)
515	WE1X1172	GROUND STRAP ASM (S/P)
516	WR1X10212	NUT SHEET METAL (S/P)
517	WE1X1176	INSULATOR CERAMIC (S/P)
520	WE1X1177	TERMINAL RECEPTACLE (S/P)

534	WE2X153	SCREW (S/P)
543	WE3X75	BEARING DRUM
550	WE2X281	SCR 8-15 HX 3/8 S (S/P)
630	WE17X53	MOTOR ASM FORM-J (S/P)
724	WZ4X288	SCR 10-16 AB HXW 1/2S #8 (S/P)
875	WH2X930	SCR 8-18 AB HXW 3/8 S (S/P)