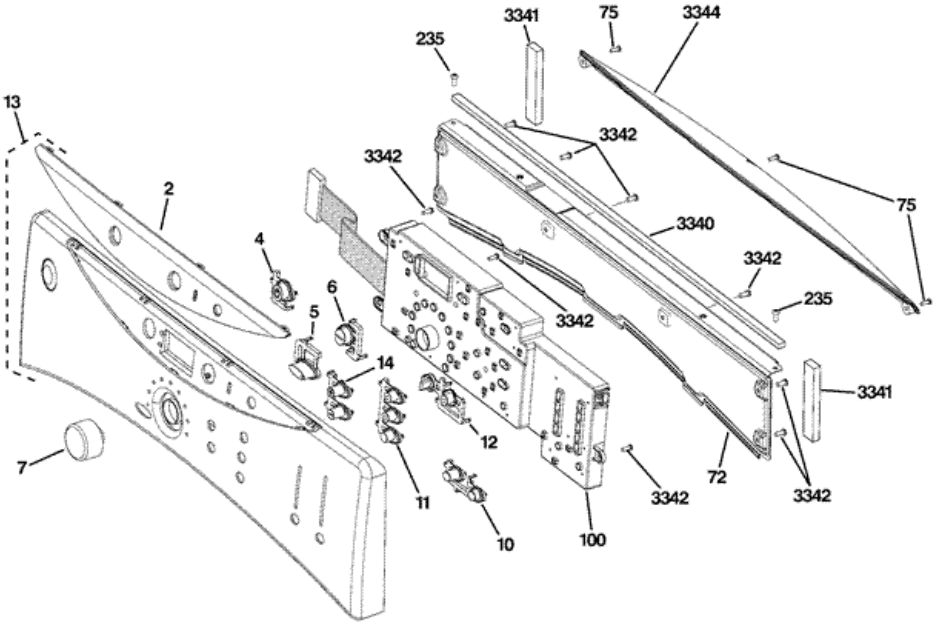


DCVH515EF0WW TABLERO

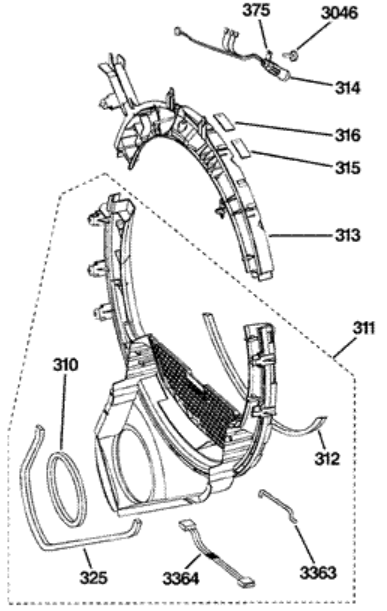
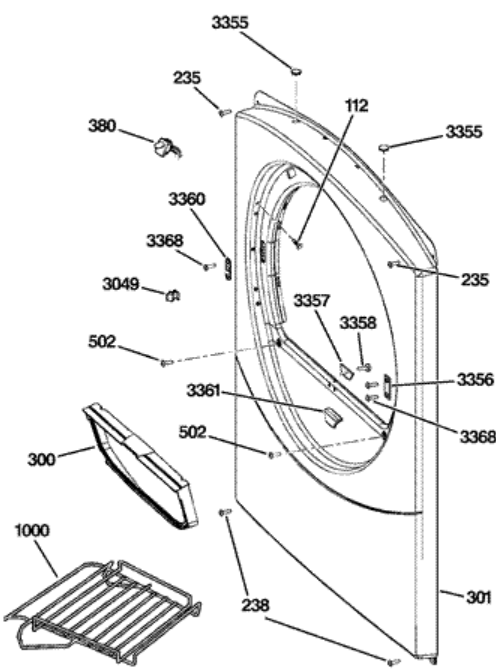




DCVH515EF0WW TABLERO

2	WE19M1606	LEXAN WINDOW ENGLISH (S/P)
4	WE1M557	POWER BUTTON (S/P)
5	WE1M558	MY CYCLE BUTTON (S/P)
6	WE1M827	START PAUSE BUTTON (S/P)
7	WE1M592	ROTARY KNOB (S/P)
10	WE1M560	BAR GRAPH BUTTONS (S/P)
11	WE1M561	OPTION BUTTONS (S/P)
12	WE1M562	LOCK BUTTON (S/P)
13	WE19M1429	CONTROL PANEL ASM WH (S/P)
13	WE19M1432	CONTROL PANEL ASM GG (S/P)
14	WE1M563	PLUS MINUS BUTTONS (S/P)
72	WE1M564	FRONT SHEILD (S/P)
75	WE2M210	SCREW BACK HOUSING (S/P)
100	WE4M385	USER INTERFACE BOARD ASM (S/P)
235	WE2X263	SCREW (S/P)
3340	WE1M565	GASKET SEAL TOP FRONT SH (S/P)
3341	WE1M566	GASKET SEAL SIDE FRONT S (S/P)
3342	WE2M211	SCREW FRONT (S/P)
3344	WE19M1437	BACK HOUSING WH (S/P)
3344	WE19M1438	BACK HOUSING GG (S/P)

DCVH515EF0WW PUERTA

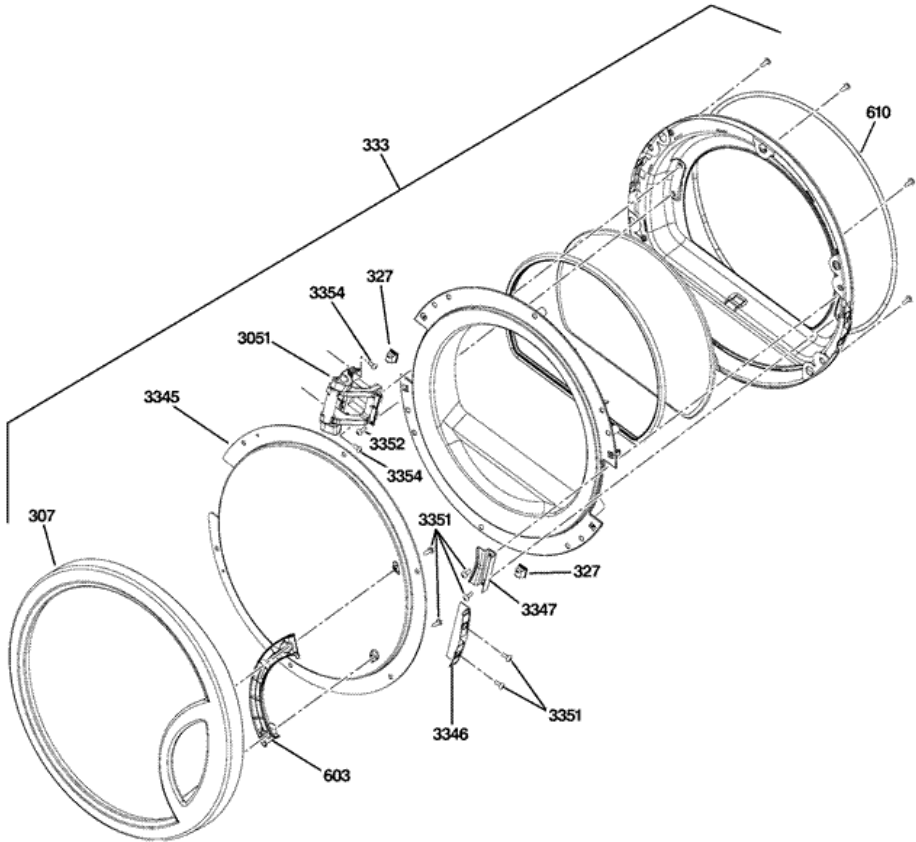




DCVH515EF0WW PUERTA

112	WR2X8693	PLUG DOOR RVSBL WH (S/P)
112	WE1M567	PLUG DOOR RVSBL (S/P)
235	WE2X263	SCREW (S/P)
238	WE2M224	SCREW GRAY #10-16 3/4 (S/P)
238	WE2M225	SCREW WHITE #10-16 3/4 (S/P)
300	WE18M24	FILTER ASM (S/P)
301	WE20M325	FRONT PANEL " WHITE " (S/P)
301	WE20M326	FRONT PANEL " GRANITE " (S/P)
310	WE14M119	GASKET (SEAL) (S/P)
311	WE14M119	TRAP DUCT COMPLETE ASM (S/P)
312	WE9M30	FELT (S/P)
313	WE14M124	TOP BEARING (S/P)
314	WE4M305	LAMP (S/P)
315	WE1M504	SLIDE DRUM – WHITE
316	WE1M481	SLIDE, DRUM – GREEN
325	WE14M119	TRAP DUCT / FRONT SEAL (S/P)
375	WE5M62	SOCKET ASM (S/P)
380	WE4M126	DOOR SWITCH
502	WE2M174	SCREW #10 (S/P)
1000	WE1M568	SHOE RACK (S/P)
3046	WE2M196	SCREW #8 (S/P)
3049	WE1X1192	STRIKE DOOR (S/P)
3355	WE1M572	PRONGUED PLUG BUTTON (S/P)
3356	WE1M569	STRIKE PLATE (S/P)
3357	WE2M213	NUT-STRIP DOOR GUIDE (S/P)
3358	WD21M131	SCREW GROUND FRONT (S/P)
3360	WE1M570	STRIKE PLATE W/STRK HOLE (S/P)
3361	WE1M571	DOOR GUIDE (S/P)
3363	WE14M119	SENSOR RODS (S/P)
3364	WE5M47	HARNESS SENSOR TRAP DUCT (S/P)
3368	WE2M217	SCREW HINGE TO FRONT (S/P)

DCVH515EF0WW PUERTA

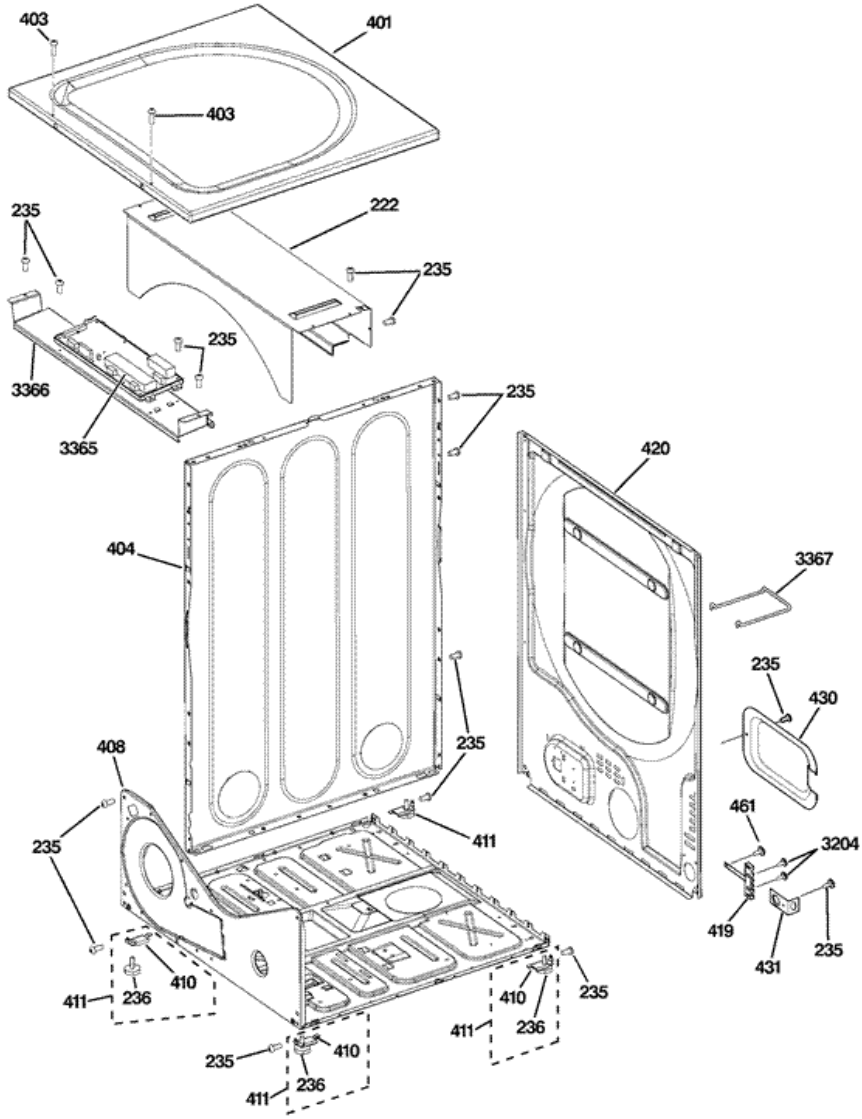




DCVH515EF0WW PUERTA

307	WE1M588	DOOR OUTER RING (S/P)
327	WE1M536	LATCH (S/P)
333	WE10M114	DOOR ASM (S/P)
603	WE1M576	DOOR HANDLE COVER (S/P)
610	WE9M19	DOOR GASKET (S/P)
3051	WE1M577	DOOR HINGE ASM. (S/P)
3345	WE1M578	DOOR OUTER WINDOW (S/P)
3346	WE1M579	DOOR HINGE COVER (S/P)
3347	WE1M593	INNER WINDOW RETAINER (S/P)
3351	WE1M582	SCREW #8 X 5/8 SS DOOR H (S/P)
3352	WE1M583	SCREW #8-32 X 1/2 HINGE (S/P)
3354	WE2M212	SCREW HINGE TO FRONT (S/P)

DCVH515EF0WW GABINETE





DCVH515EF0WW GABINETE

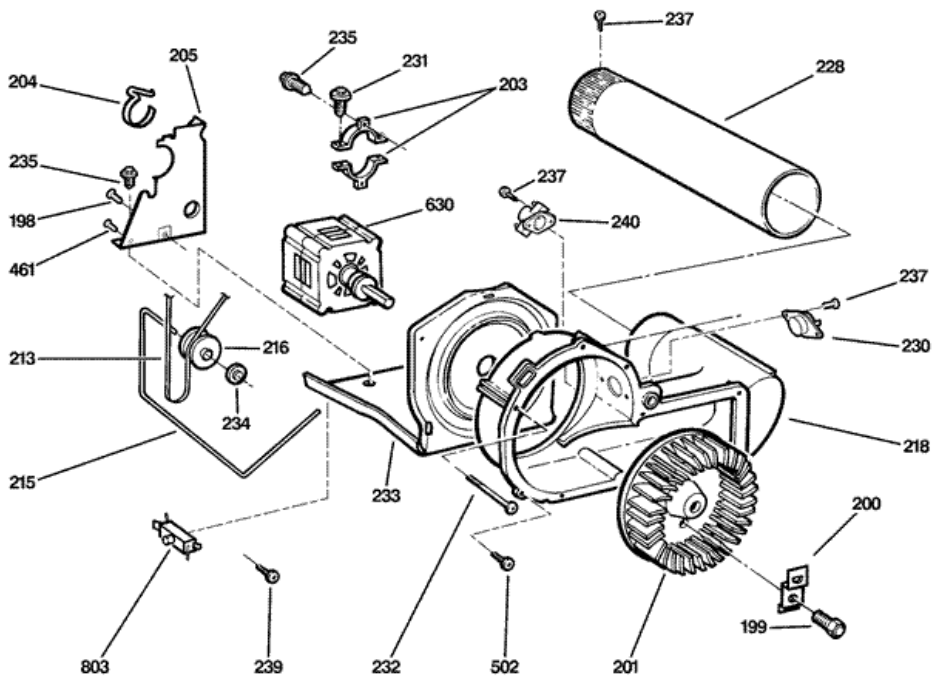
222	WE1M585	REAR PLATE (S/P)
235	WE2X263	SCREW (S/P)
236	WE1M642	LEVELLING SCREW (S/P)
401	WE20M328	COVER " GRANITE " (S/P)
401	WE20M327	COVER " WHITE " (S/P)
403	WE2M214	SCREW FLAT HEAD/AB (S/P)
404	WE20M382	SIDE PANEL " WHITE " (S/P)
404	WE20M383	SIDE PANEL " GRANITE " (S/P)
408	WE20M331	CHASSIS BOTTOM (S/P)
410	WE1M528	REAR BRKT LEVEL LEG (S/P)
411	WE1M468	LEVEL LEG & BRKT REAR (S/P)
419	WE4M325	TERM BLK & GRND STRAP (S/P)
420	WE20M301	PANEL REAR 6 CU FT (S/P)
430	WE1M458	TERM. BLOCK COVER (S/P)
431	WE1M457	STRAIN RELIEF BRACKET (S/P)
461	WZ5X158	SCREW 8-32X3/8 GRD SCR (S/P)
3204	WH2M270	SCREW (S/P)
3365	WE4M388	MAIN POWER BOARD ASM. (S/P)
3366	WE1M864	MAIN POWER BOARD SUPPORT (S/P)
3367	WE1M587	EXAUST PROTECTOR (S/P)

Distribuidor Autorizado

SurteRápido.com

Venta de Refacciones
Electrodomesticas

DCVH515EF0WW MOTOR





DCVH515EF0WW MOTOR

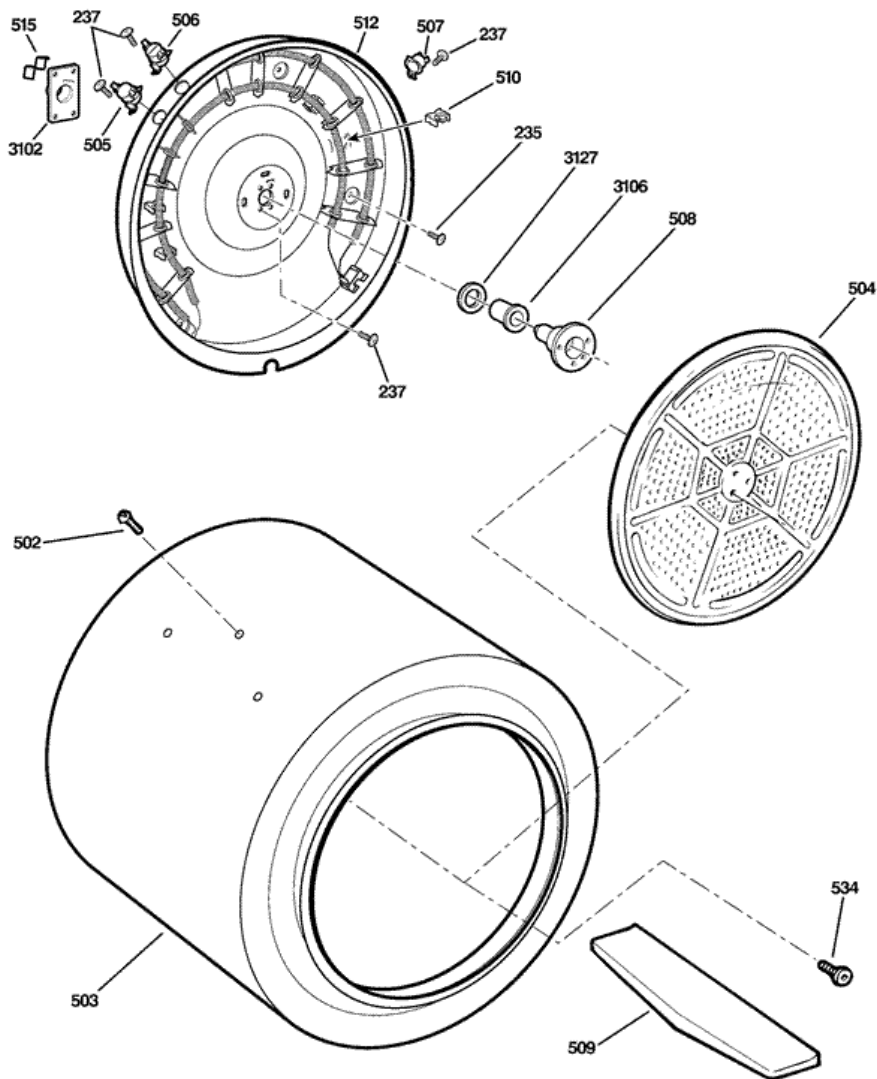
198	WE2M200	SCREW GROUND (S/P)
199	WE2M98	SCREW (S/P)
200	WE00M111	BLOWER CLAMP (S/P)
200	WE00M112	BLOWER CLAMP (S/P)
201	WE16M15	BLOWER WHEEL (S/P)
203	WE13X200	STRAP MOTOR (S/P)
204	WE1X921	STRAP MOTOR (S/P)
205	WE13M39	MOTOR SUPPORT (S/P)
213	134503900	BELT DRIVE
215	WE3M25	IDLER ARM
216	WE12X83	PULLEY IDLER
218	WE14M94	BLOWER HOUSING (S/P)
228	WE14M107	EXHAUST DUCT (S/P)
230	WE4M300	T-STAT , OUTLET BKUP ORG (S/P)
231	WE2M187	SCREW (S/P)
232	WE2M202	SCREW (S/P)
233	WE13M41	MOTOR PLATE (S/P)
234	WE2X329	CAP NUT (S/P)
235	WE2X263	SCREW (S/P)
237	WE2M154	SCREW (S/P)
239	WE2M167	SCREW DESCONTINUADO
240	WE4M336	THERMISTOR , OUTLET CNTR (S/P)
461	WZ5X158	SCREW 8-32X3/8 GRD SCR (S/P)
502	WE2M174	SCREW #10 (S/P)
630	WE17M42	MOTOR & PULLEY ASM. (S/P)
803	WD21X0557	SWITCH INTERLOCK

Distribuidor Autorizado

SurteRápido.com

Venta de Refacciones
Electrodomesticas

DCVH515EF0WW TAMBOR





DCVH515EF0WW TAMBOR

235	WE2X263	SCREW (S/P)
237	WE2M154	SCREW (S/P)
502	WE2M174	SCREW #10 (S/P)
503	WE21M13	DRUM ASM 7.0 CU FT (S/P)
504	WE14M77	DEFLECTOR HEAT (S/P)
505	WE4M160	T'STAT , SAFETY LEFT (S/P)
506	WE4M398	INLET CONTROL THERMISTOR (S/P)
507	WE4M137	T'STAT HI-LIMIT (S/P)
508	WE25M40	SHAFT & BRACKET ASM
509	WE14M75	BAFFLE DRUM (S/P)
510	WE1M452	CERAMIC INSULATOR (S/P)
512	WE11M23	HEATER ASM. (S/P)
515	WE1M554	GROUND STRAP (S/P)
534	WE2M163	SCREW #10 (S/P)
3102	WE1M300	BEARING RETAINER (S/P)
3106	WE1M462	BEARING, DRUM SHAFT (S/P)
3127	WE1M461	O-RING (S/P)