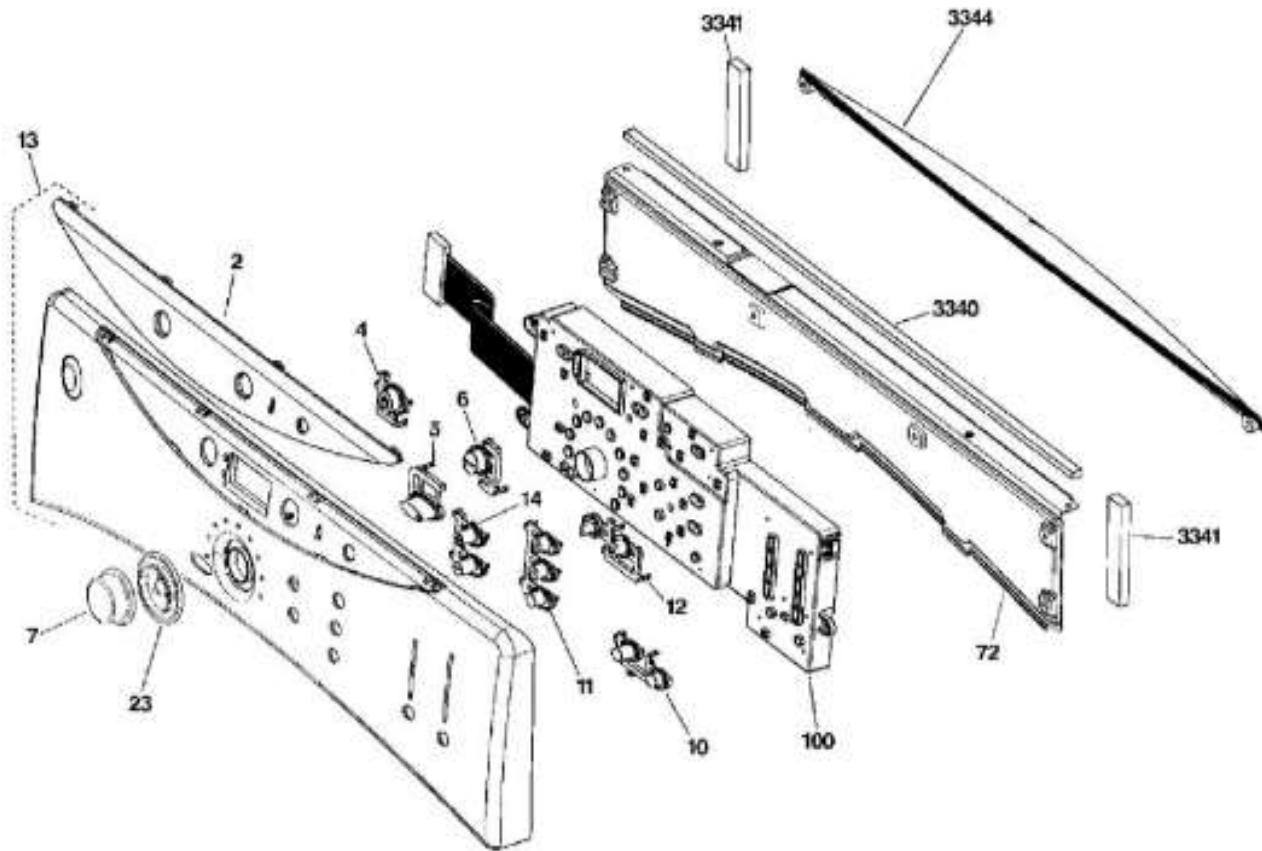




# SECADORA DCVH680GJ0MS

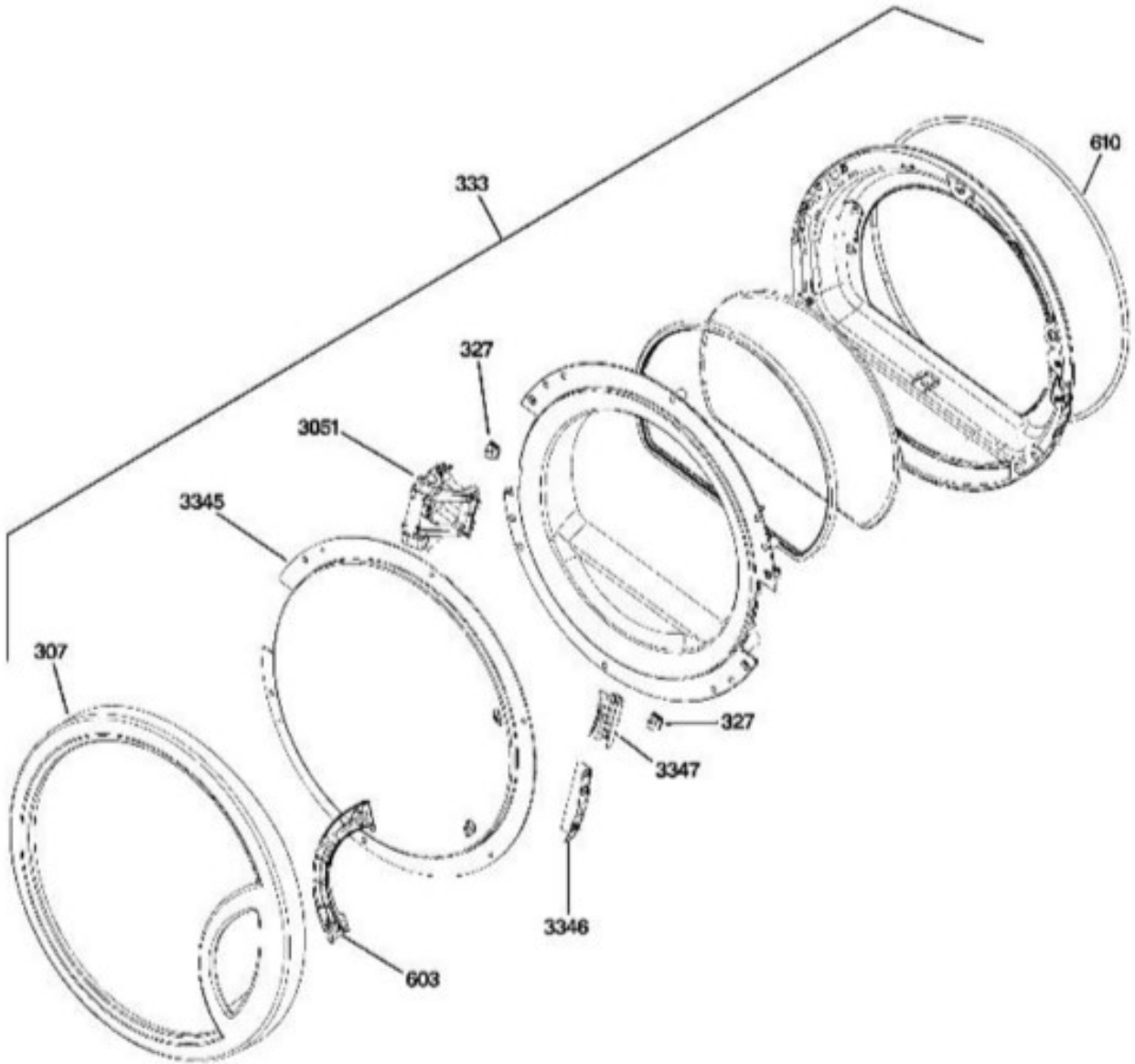


BENITO JUÁREZ #1500 GPE ZITON, CD. GUADALUPE NUEVO LEÓN TEL: 8183377999 Y 49  
HORARIOS: LUNES A VIERNES 8:30 A 6:00 PM Y SÁBADOS DE 8:30 A 2:00 PM  
WEB: [www.denek.com](http://www.denek.com)





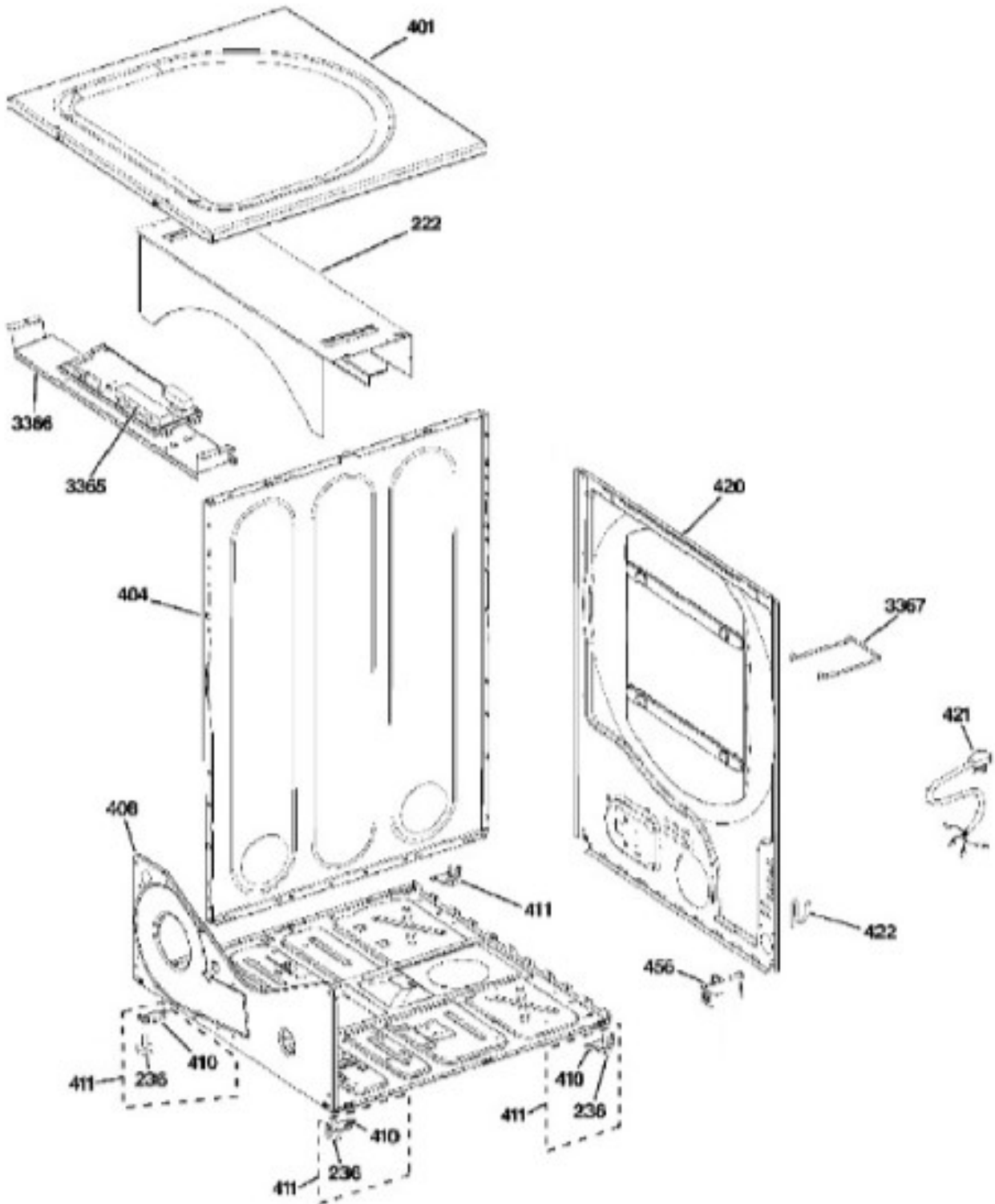
# SECADORA DCVH680GJ0MS



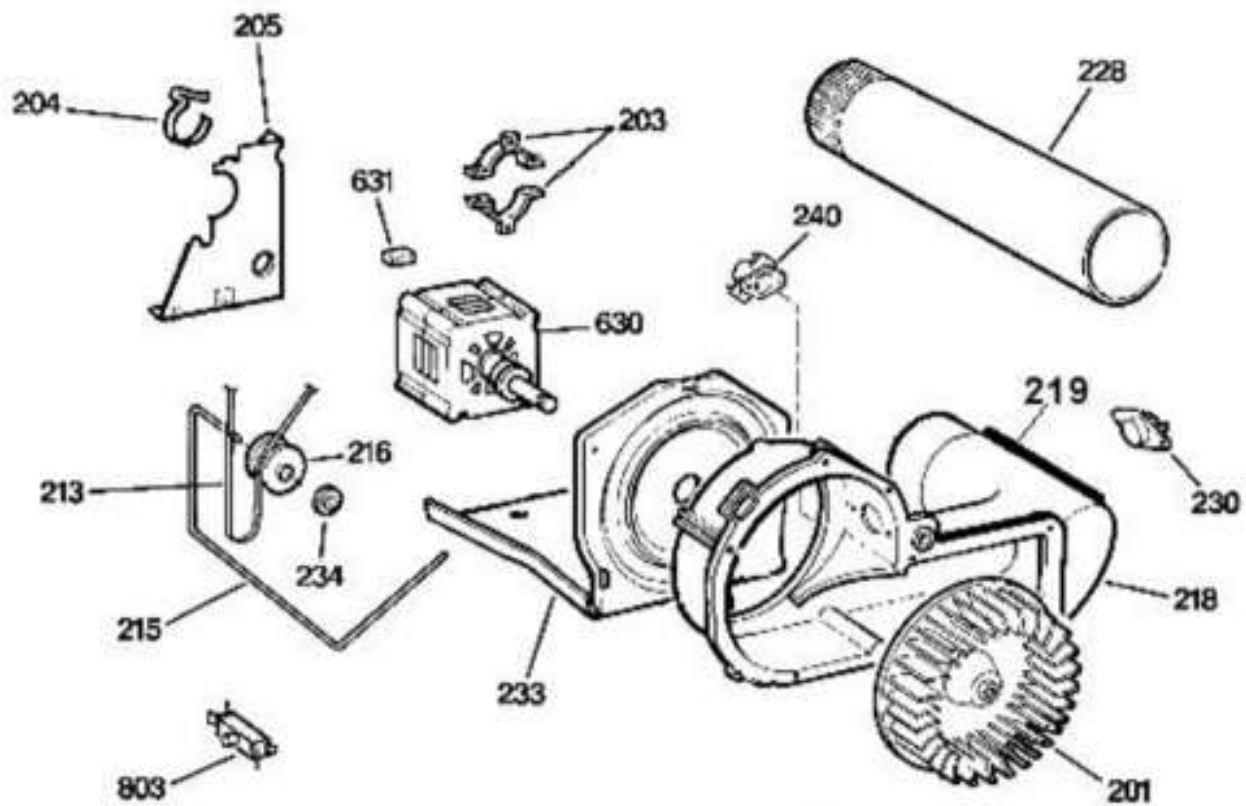
BENITO JUÁREZ #1500 GPE ZITON, CD. GUADALUPE NUEVO LEÓN TEL: 8183377999 Y 49  
HORARIOS: LUNES A VIERNES 8:30 A 6:00 PM Y SÁBADOS DE 8:30 A 2:00 PM  
WEB: [www.denek.com](http://www.denek.com)



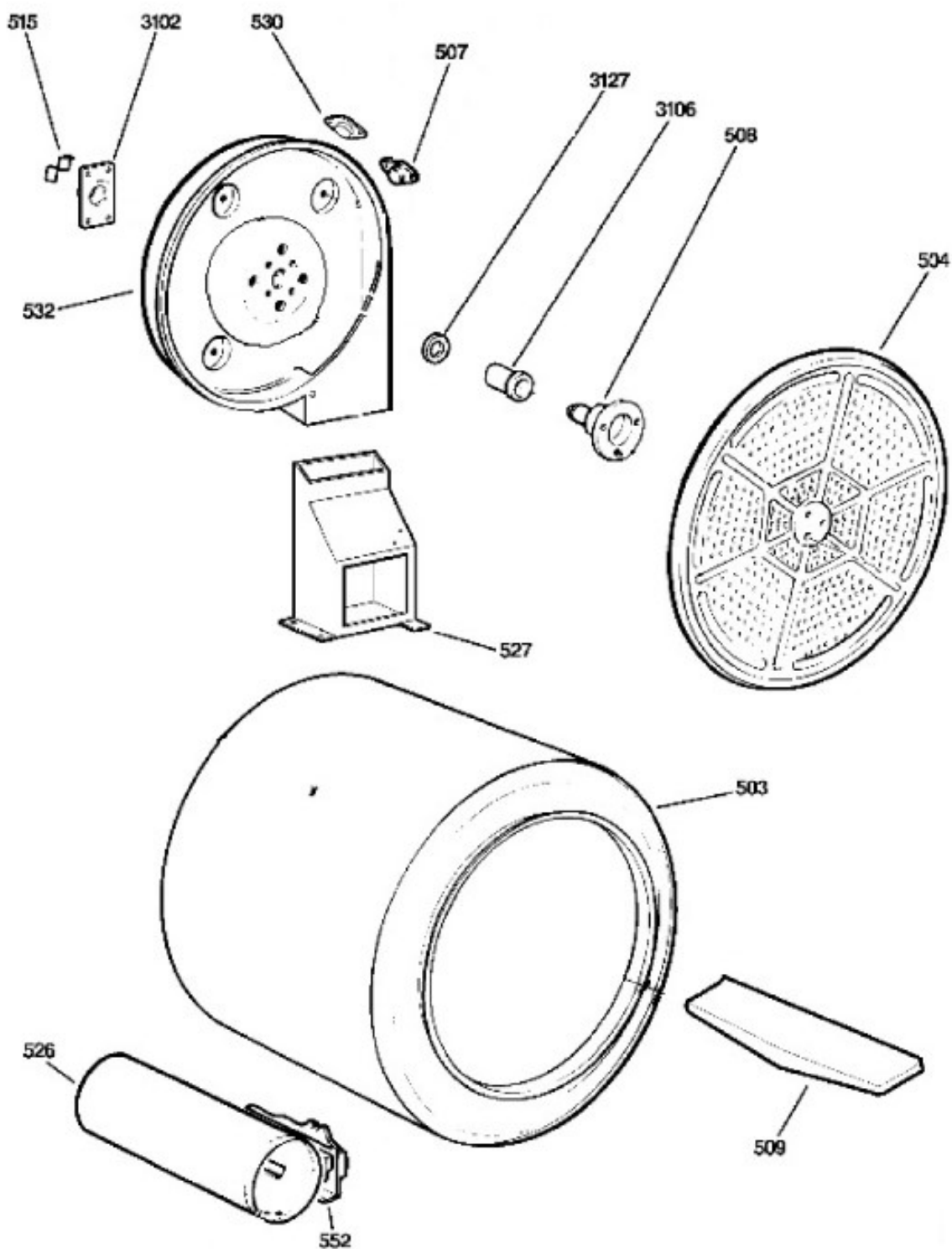
# SECADORA DCVH680GJ0MS

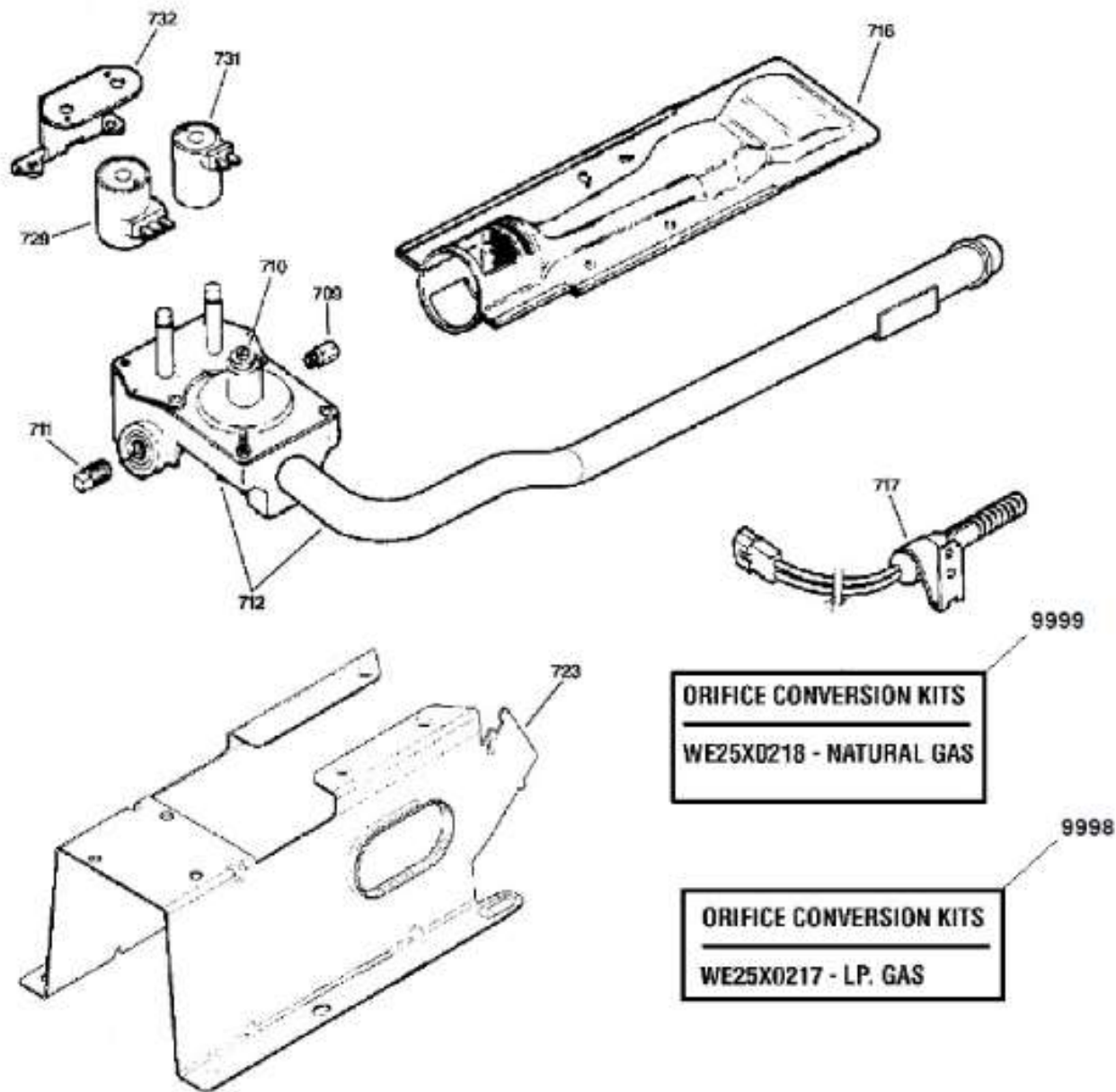


BENITO JUÁREZ #1500 GPE ZITON, CD. GUADALUPE NUEVO LEÓN TEL: 8183377999 Y 49  
HORARIOS: LUNES A VIERNES 8:30 A 6:00 PM Y SÁBADOS DE 8:30 A 2:00 PM  
WEB: [www.denek.com](http://www.denek.com)









Guía	Refacción	Descripción
2	WG04F01756	LEXAN WINDO
4	WG04L04010	POWER BUTTON
5	WE1M558	MY CYCLE BUTTON
6	WG04L04072	START PAUSE BUTTON
6	WG04L04088	START PAUSE BUTTON
7	WG04F00969	SELECT CYCLE KNOB
10	WG04F04339	BAR GRAPH BUTTONS
11	WG04L04073	OPTION BUTTONS
12	WG04F04256	LOCK BUTTON
13	WG04F00234	CONTROL PANEL ASM MS
14	WG04L03998	PLUS MINUS BUTTONS
23	WE1M787	BEZEL & INSERT ASM
72	WG04L03997	DRYER FRONT SHIELD GASKET
100	WG04F01234	USER INTERFACE BOARD ASM.
112	WE1M567	PLUG DOOR RVSBL
201	WW02A00011	BLOWER WHEEL W/NUT INSER
203	WW02F00003	STRAP MOTOR
204	WE01X0921	MOTOR DE CORREA
205	WG04A00990	SOPORTE
213	WG04F01569	BANDA TRANSMISION
215	WW02A00060	IDLER ARM SPRING
216	WE12M8	PULLEY IDLER
218	WE14M94	HOUSING BLOWER
219	WW02F00240	GASKET SEAL, HSNG EXH.
222	WG04L07218	DRYER REAR PLATE
228	WE14M107	CONDUCTO DE ESCAPE
230	WG04F01199	T-STAT OUTLET BKUP ORG
233	WE13M41	MOTOR PLATE
234	WG04A00124	NUT CAP
234	WG04A00124	NUT CAP
236	WE1M771	LEVELLING LEG-1PC Plasti
240	WG04F01117	THERMISTOR OUTLET CNTR
240	WG04F12391	THERMISTOR OUTLET CNTR
300	WG04A00744	DRYER LINT FILTER
307	WG04L00159	DOOR OUTER RING PLATED



Guía	Refacción	Descripción
310	WE1M573	CLEANING FELT
311	WG04F01571	TRAP DUCT COMPLETE ASM
312	WG04F03523	SELLO DE FIELTRO
312	WW02A00201	SELLO DE FIELTRO
313	WG04F03471	SOPORTE TAMBOR SUPERIOR
314	WW02A00067	DRYER LIGHT BULB, 120 VOLT, 10 WATTS
315	WG04A00023	BEARING-SLIDE WHITE
316	WE1M507	SLIDE, DRUM - GREEN
317	WE9M29	FELT TOP BEARING
325	WE1M574	CONDUCTO TRAMPA / SELLO DELANTERO
327	WG04F00606	LATCH
333	WE10M122	DOOR ASM (CHROME)
375	WE5M49	SOCKET ASM.
380	WG04L00174	DOOR SWITCH
401	WE20M361	COVER VIPER SILVER
404	WE20M363	SIDE PANEL VIPER SILVER
408	WG04F11509	BOTTOM CHASSIS BASE
410	WG04A01057	BRACKET LEVELLING LEG
411	WW01A00431	BRACKET & LEVEL LEG ASM
420	WG04F04436	PANEL REAR 6 CU FT
421	WE26M335	CORD SET 120V
422	WW02F00022	CORD CLIP
456	WE01X0617	PIPE CLAMP
503	WG04F04043	ENSAMBLE TAMBOR
503	WW03F00415	ENSAMBLE TAMBOR
504	WG04F00267	DEFLECTOR HEAT
504	WG04F00267	DEFLECTOR HEAT
504	WG04F12324	DIFUSOR
507	WG04F04880	INLET CONTROL THERMISTOR
508	WW02F00244	SOPORTE
508	WG02F02340	SOPORTE
509	WW01F01128	BAFFLE
515	WG04F00475	GROUND STRAP ASM
515	WW01A00443	GROUND STRAP ASM
515	WW02F00833	GROUND STRAP ASSEMBLY

Guía	Refacción	Descripción
526	WG04F04365	COMBUSTION CHAMBER
527	WG04F04386	DUCT TRANSITION
530	WG04F03776	THERMOSTAT SAFETY
532	WG04F00273	DIFFUSER GAZ ASM.
532	WG04F00273	DIFFUSER GAZ ASM.
552	WG04F03518	TERMOSTATO
603	WG04L00149	DOOR HANDLE COVER
610	WG04L00144	DRYER DOOR GASKET
630	WW03A00218	MOTOR THREADED AND PULLE
631	WG04F02264	CONNECTOR MOTOR
709	WG04F07287	ORIFICE, NAT.
710	WG04F00609	LEAR LIMITER
711	1/8-27 NPT	PLUG PIPE (NOT STOCKED)
712	WW02A00155	GAS VALVE & PIPE ASM. NG
716	WW02F00235	QUEMADOR DE GAS SECADOR
717	WW02F00002	IGNITER ASM
723	WE13M40	GAS VALVE BRACKET
729	WG04F00581	JUEGO DE BOBINAS
729	WG04F01859	JUEGO DE BOBINAS
731	WG04F00074	BOBINA VALVULA SEC.
732	WG04F04357	BRKT. COIL
803	WD21X0557	INTERRUPTOR DE BLOQUEO
1000	WG04A00205	SHOE RACK
3049	WG04L06355	STRIKE DOOR
3049	WG04F03491	STRIKE DOOR
3051	WG04L01612	DOOR HINGE ASM. PLATED
3102	WG04A00067	BUJE PARA SECADORA
3106	WG04L00501	SLEEVE BEARING
3127	WG04F00001	O RING
3340	WG04L01698	DRYER TOP FRONT SHIELD GASKET
3341	WG04L01699	DRYER SIDE FRONT SHIELD GASKET
3344	WE19M1570	BACK HOUSING VIPER SILVE
3345	WG04L00725	DOOR OUTER WINDOWS
3345	NLA	DOOR OUTER WINDOWS
3346	WW03L00337	CUBIERTA JALADERA PUERTA

Guía	Refacción	Descripción
3347	WG04L04076	INNER WINDOW RETAINER
3356	WG04L07073	PLACA DE PARO
3357	WG04A00631	TUERCA GUIA PUERTA
3360	WG04A00629	GUIA
3361	WE1M571	DRYER DOOR GUIDE
3363	WG04F01580	SENSOR ROD
3364	WG04F01593	HARNESS SENSORS
3365	WG04F02279	MAIN POWER BOARD ASM GAS
3365	WG04F02279	MAIN POWER BOARD ASM GAS
3366	WE1M586	MAIN POWER BOARD SUPPORT
3367	WE1M587	DRYER EXHAUST PROTECTOR
9998	WE25X0217	KIT LP GAS ORIFICE CONV
9999	WE25X0218	KIT NAT GAS ORIFICE CONV