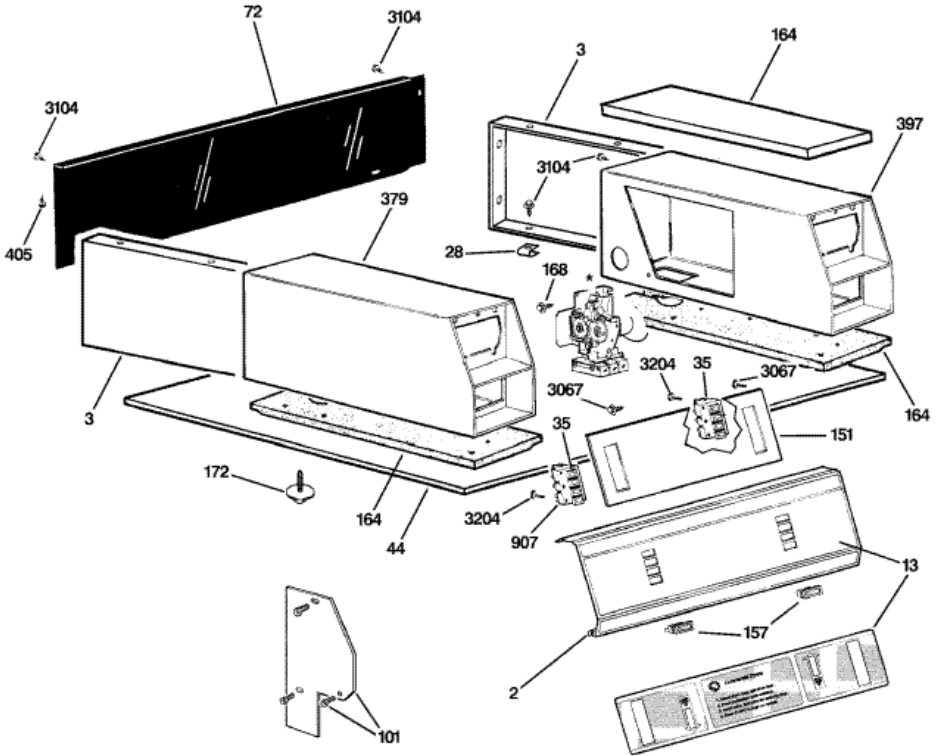


Distribuidor Autorizado

SurteRápido.com

Venta de Refacciones
Electrodomesticas

DDC4400SLMWH TABLERO

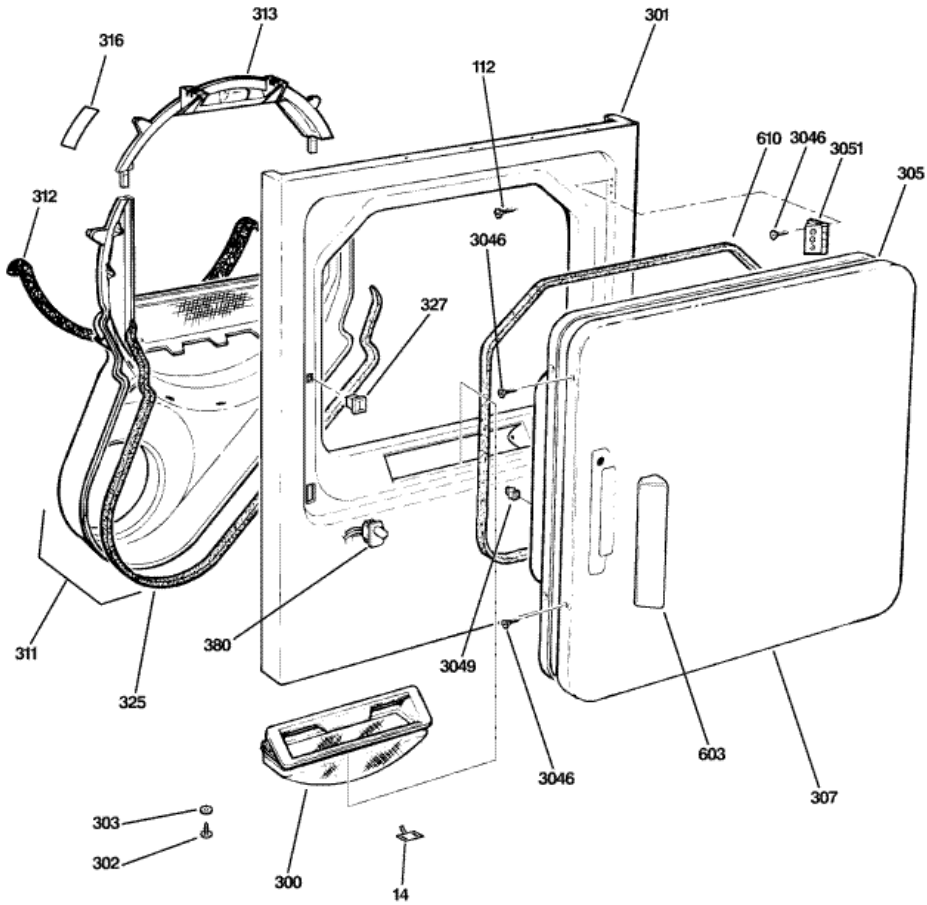




DDC4400SLMWH TABLERO

2	WE19M1444	ESCUTCHEON WH (S/P)
3	WE20M245	PANEL SIDE WH (S/P)
13	WE19M845	SWITCH TRIM ASM (S/P)
28	WE2M171	SPEEDNUT (S/P)
35	WE4M162	SWITCH PUSHBUTTON (S/P)
44	WE20M273	COVER TOP (S/P)
72	WE20M244	PANEL ACCESS REAR (S/P)
101	WE1M402	COVER, TIMER DOOR (S/P)
101	WE2M177	SCREW TORX, TIMER COVER (S/P)
151	WE1M372	BRACKET SWITCH (S/P)
157	WE1X950	LAMP ASM-AMBER (S/P)
164	WE1M397	PAD (S/P)
168	WE2M173	SCREW (S/P)
172	WH2X735	SCREW (S/P)
379	WH65M205	METER CASE L.H. WH (S/P)
397	WH65M203	METER CASE R.H. WH (S/P)
405	WE2X263D	SCREW 10-16X1/2 HXW (S/P)
907	WD9X206	PUSHBUTTON (S/P)
3067	WE2X343	SCREW (S/P)
3104	WE1M280	SCREW (S/P)
3204	WH2M270	SCREW (S/P)

DC4400SLMWH PUERTA

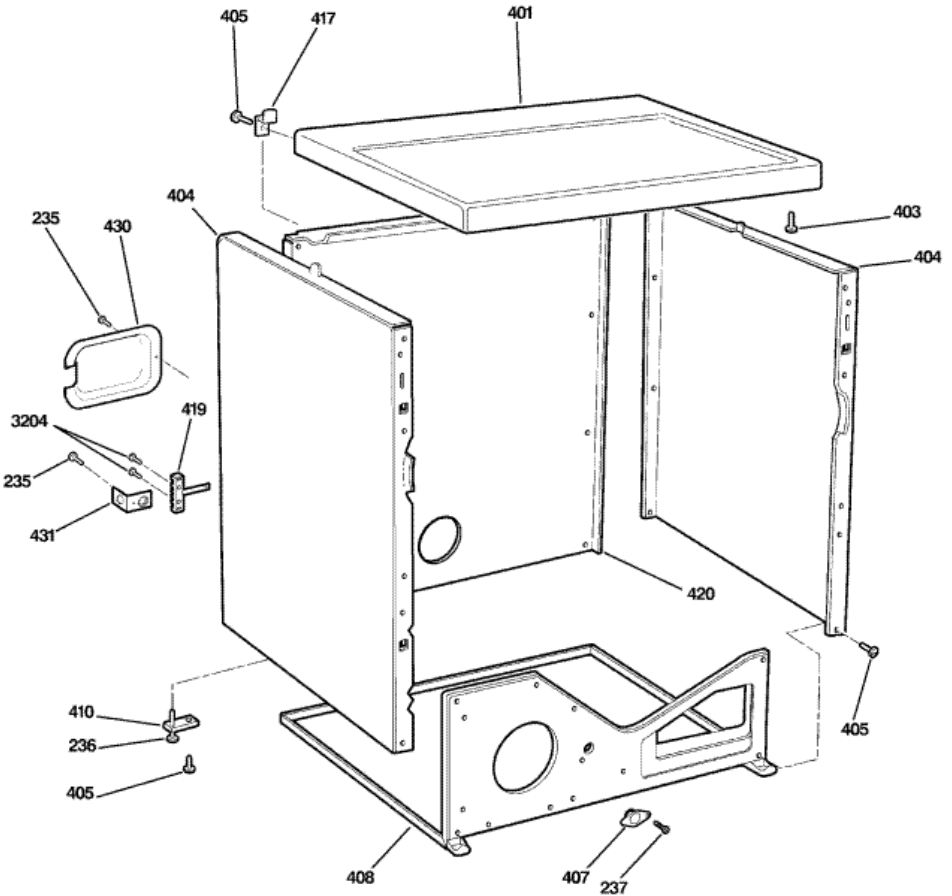




DDC4400SLMWH PUERTA

14	WH2X1151	CLIP GROUND (S/P)
112	WR2X8693	PLUG DOOR RVSBL WH (S/P)
300	WE18M30	FILTER FRAME COIN (S/P)
301	WE20M344	FRONT PANEL COIN WH (S/P)
302	WE2M189	SCREW (S/P)
303	WE2M181	RUBBER WASHER (S/P)
305	WE10M109	DOOR INNER WH (S/P)
307	WE10M96	PANEL OUTER WH (S/P)
311	WE14M92	AIR DUCT ASM.
312	WE9M15	FELT
313	WE3M26	TOP BEARING, DRUM
316	WE1M504	SLIDE DRUM – WHITE
316	WE1M415	BEARING-SLIDE GREEN (S/P)
325	WE1X10217	GASKET SEAL HSNG EXH (S/P)
327	WE1X1224	PLUG LATCH WH (S/P)
327	WE1M536	LATCH (S/P)
380	WE4M126	DOOR SWITCH
603	WE1M463	HANDLE DOOR WH
610	WE9M13	GASKET (S/P)
3046	WE2M170	SCREW (S/P)
3049	WE1X1192	STRIKE DOOR (S/P)
3051	WE1M505	HINGE (S/P)

DDC4400SLMWH GABINETE





DDC4400SLMWH GABINETE

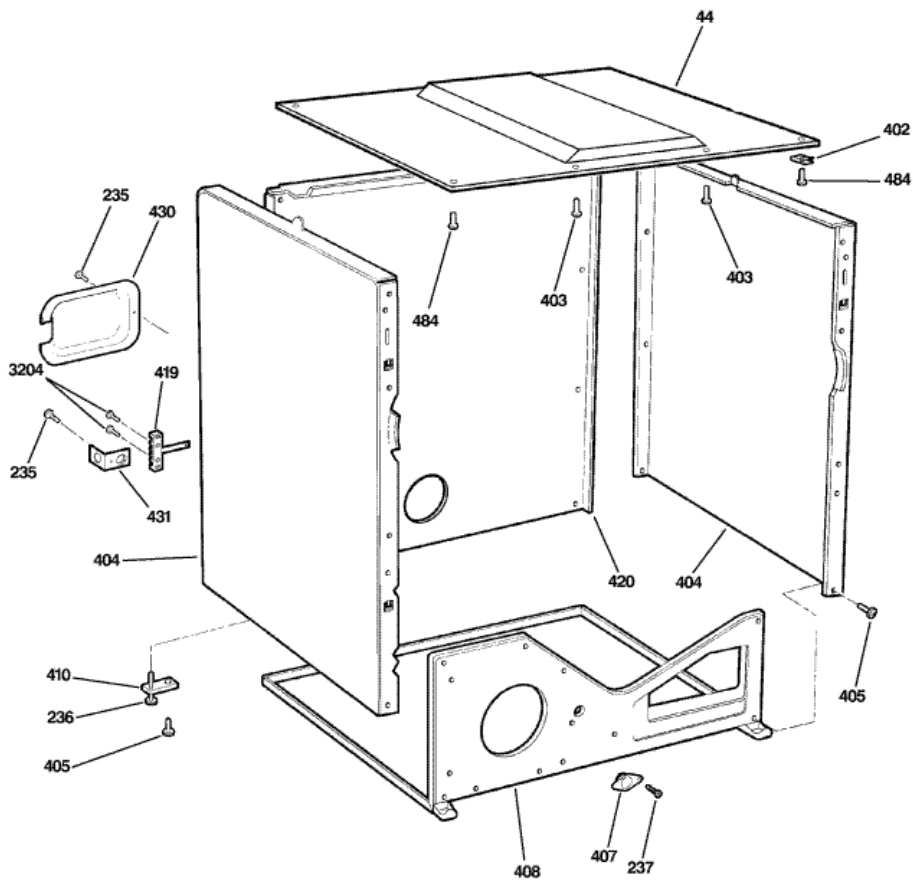
235	WE2M155	SCREW (S/P)
236	WE2X355	SCREW LEVELLING 5/16-24 (S/P)
237	WE2M154	SCREW (S/P)
401	WE20M335	TOP COVER WH (S/P)
403	WE2M160	SCREW #8 (S/P)
404	WE20M260	PANEL SIDE WH (S/P)
405	WE2X263D	SCREW 10-16X1/2 HXW (S/P)
407	WE4M127	THERMOSTAT DRUM OUT (S/P)
408	WE20M305	BASE CABINET (S/P)
410	WE1M374	BRKT LVL SCREW FRNT (S/P)
410	WE1M528	REAR BRKT LEVEL LEG (S/P)
410	WE1M468	LEVEL LEG & BRKT REAR (S/P)
410	WE1M467	LEVEL LEG & BRKT FRNT (S/P)
410	WE1M527	FRONT BRKT LEVEL LEG (S/P)
417	WE1M413	BRACKET COVER (S/P)
419	WE4M325	TERM BLOCK & GRND ST (S/P)
420	WE20M302	REAR PANEL (S/P)
430	WE1M458	TERM. BLOCK COVER (S/P)
431	WE1M457	STRAIN RELIEF BRACKET (S/P)
3204	WH2M270	SCREW (S/P)

Distribuidor Autorizado

SurteRápido.com

Venta de Refacciones
Electrodomesticas

DDC4400SLMWH GABINETE

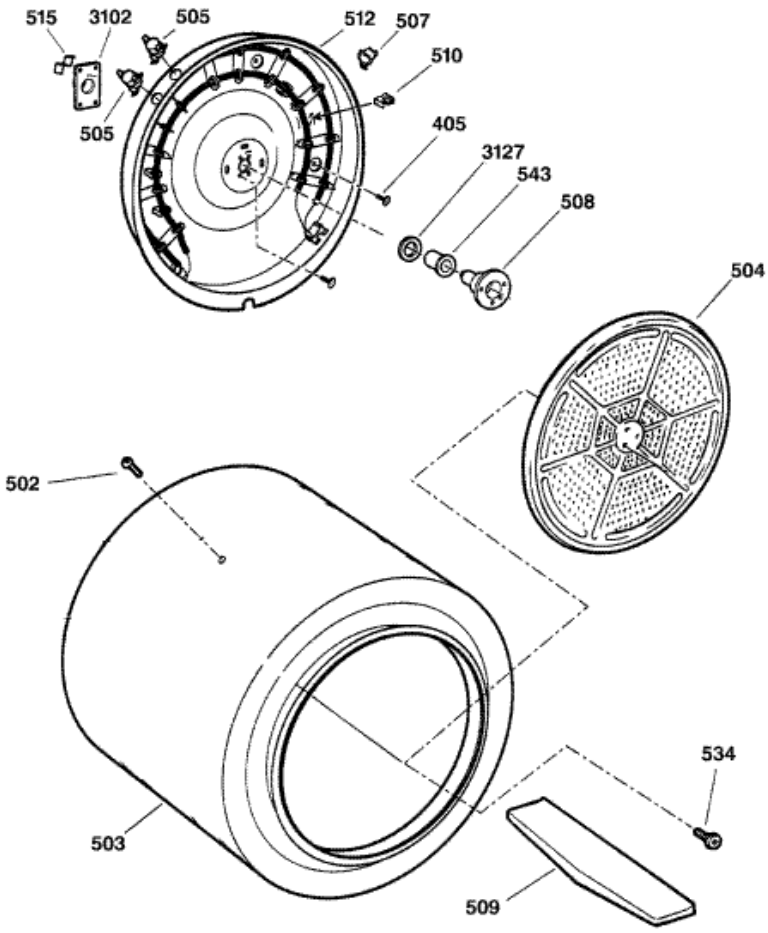




DDC4400SLMWH GABINETE

44	WE20M273	COVER TOP (S/P)
235	WE2M155	SCREW (S/P)
236	WE2X355	SCREW LEVELLING 5/16-24 (S/P)
237	WE2M154	SCREW (S/P)
402	WE2M162	SPEEDNUT (S/P)
403	WE2M160	SCREW #8 (S/P)
404	WE20M260	PANEL SIDE WH (S/P)
405	WE2X263D	SCREW 10-16X1/2 HW (S/P)
407	WE4M127	THERMOSTAT DRUM OUT (S/P)
408	WE20M305	BASE CABINET (S/P)
410	WE1M527	FRONT BRKT LEVEL LEG (S/P)
410	WE1M528	REAR BRKT LEVEL LEG (S/P)
410	WE1M467	LEVEL LEG & BRKT FRNT (S/P)
410	WE1M468	LEVEL LEG & BRKT REAR (S/P)
410	WE1M374	BRKT LVL SCREW FRNT (S/P)
419	WE4M324	TERM BLOCK & GRND ST (S/P)
420	WE20M302	REAR PANEL (S/P)
430	WE1M458	TERM. BLOCK COVER (S/P)
431	WE1M457	STRAIN RELIEF BRACKET (S/P)
484	WE2M172	SCREW 8-18X1 13/16 (S/P)
3204	WH2M270	SCREW (S/P)

DDC4400SLMWH TAMBOR





DDC4400SLMWH TAMBOR

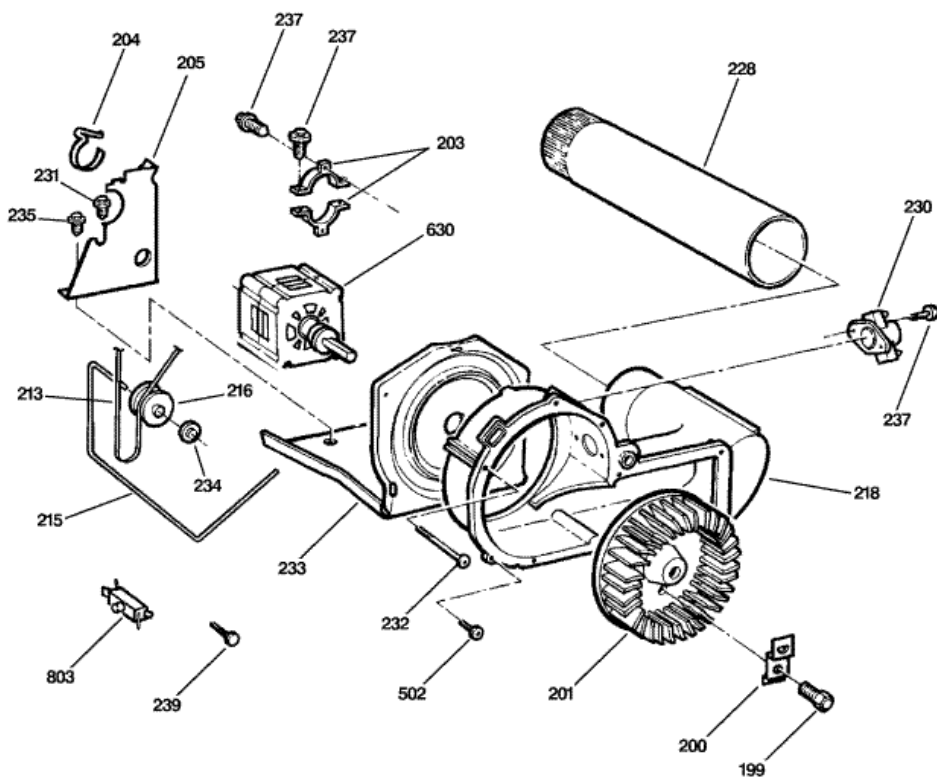
405	WE2X263D	SCREW 10-16X1/2 HXW (S/P)
502	WE2M174	SCREW #10 (S/P)
503	WE21M9	DRUM (S/P)
504	WE14M57	DEFLECTOR HEAT (S/P)
505	WE4M160	T'STAT , SAFETY LEFT (S/P)
507	WE4M137	T'STAT HI-LIMIT
508	WE25M40	SHAFT & BRACKET ASM
509	WE14M85	BAFFLE DRUM (S/P)
510	WE1M452	CERAMIC INSULATOR (S/P)
512	WE11M23	HEATER ASM. (S/P)
515	WE1M554	GROUND STRAP (S/P)
534	WE2M163	SCREW #10 (S/P)
543	WE1M462	BEARING, DRUM SHAFT (S/P)
3102	WE1M300	BEARING RETAINER (S/P)
3127	WE1M461	O-RING (S/P)

Distribuidor Autorizado

SurteRápido.com

Venta de Refacciones
Electrodomesticas

DDC4400SLMWH MOTOR





DDC4400SLMWH MOTOR

199	WE2M98	SCREW (S/P)
200	WE1X688	CLAMP
201	WE16M15	BLOWER WHEEL (S/P)
203	WE13X200	STRAP MOTOR (S/P)
204	WE1X921	STRAP MOTOR (S/P)
205	WE13M39	MOTOR SUPPORT (S/P)
213	WE12X82	BELT DRIVE
215	WE3M25	IDLER ARM
216	WE12X83	PULLEY IDLER
218	WE14M93	BLOWER HOUSING (S/P)
228	WE14M90	PIPE EXHAUST (S/P)
228	WE1M473	GASKET SEAL, HSNG EXH (S/P)
230	WE4M156	THERMOSTAT (POLY)
231	WE2M187	SCREW (S/P)
232	WE2M156	SCREW (S/P)
233	WE13M35	MOTOR PLATE (E-COAT) (S/P)
234	WE2X329	CAP NUT (S/P)
235	WE2M155	SCREW (S/P)
237	WE2M154	SCREW (S/P)
239	WE2M167	SCREW (S/P)
502	WE2M174	SCREW #10 (S/P)
630	WE17M22	MOTOR & PULLEY ASM.
803	WD21X557	SWITCH INTERLOCK