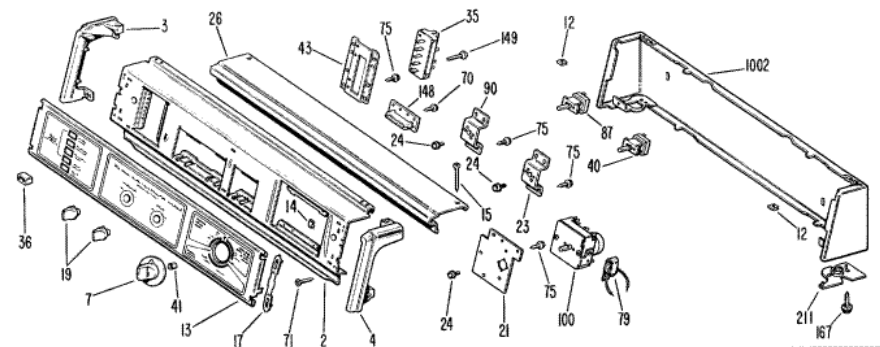


Distribuidor Autorizado

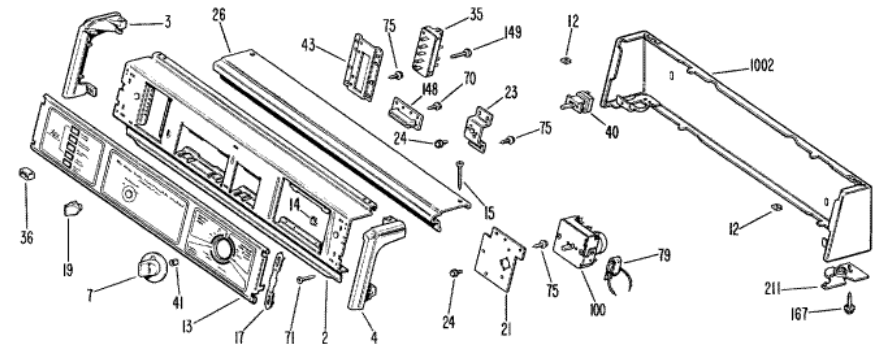
SurteRápido.com

Venta de Refacciones
Electrodomesticas

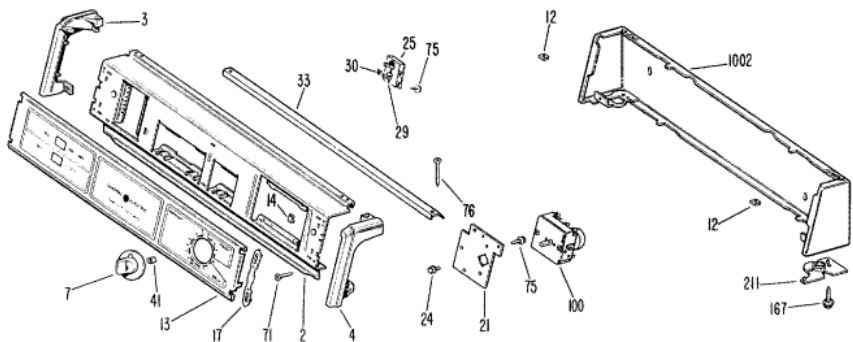
DDE7500GAL TABLERO



Modelos DDE7500GAL, DDE7109VML



Modelos DDE0580GAL, DDE4000GAL, DDE5300GAL, DDE5700GAL





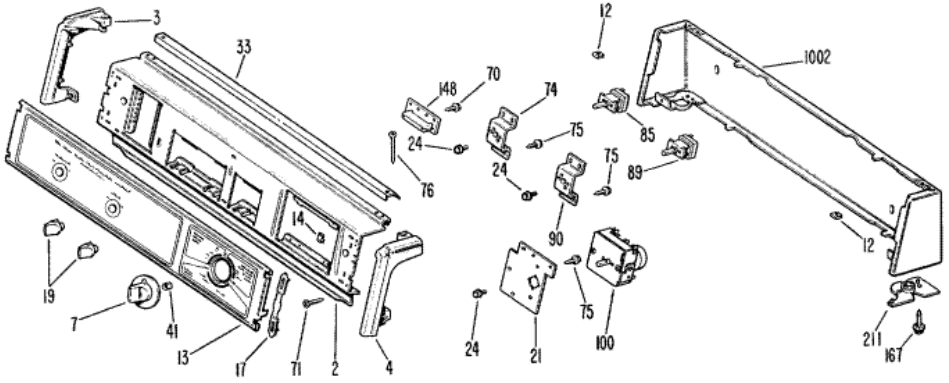
DDE7500GAL TABLERO

2	WE19X719	ESCUTCHEON ASM DESCONTINUADO
3	WH42X974	TRIM-END L.H. (S/P)
3	WE19X796	TRIM END LH (S/P)
3	WE19X793	TRIM END LH (S/P)
4	WE19X792	TRIM END RH (S/P)
4	WE19X796	TRIM END RH (S/P)
4	WH42X975	TRIM-END R.H. DESCONTINUADO
4	WE19X797	TRIM-END R. H. (S/P)
7	WE1X1266	KNOB CLIP ASM (S/P)
12	WB1X358	SPEEDNUT (S/P)
13	WE19X844	SWITCH TRIM ASM DESCONTINUADO
13	WE19X849	SWITCH TRIM ASM DESCONTINUADO
13	WE19X854	SWITCH TRIM ASM DESCONTINUADO
13	WE19X855	SWITCH TRIM ASM DESCONTINUADO
13	WE19X859	SWITCH TRIM ASM DESCONTINUADO
13	WE19X845	SWITCH TRIM ASM DESCONTINUADO
13	WE19X858	SWITCH TRIM ASM DESCONTINUADO
13	WE19X847	SWITCH TRIM ASM DESCONTINUADO
14	WE1X762	CLIP GROUNDING (S/P)
15	WZ4X319	SCR 8-18 BA OPR 1 7/16 S (S/P)
17	WE1X577	CLIP TRIM DESCONTINUADO
17	WH1X2008	CLIP TRIM (S/P)
19	WE1X1069	KNOB CLIP ASM DESCONTINUADO
21	WE13X76	PLATE CONTROL DESCONTINUADO
23	WH16X401	BRACKET SWITCH DESCONTINUADO
24	WZ2X510	SCREW (S/P)
25	WE4X352	SWITCH ASM 2 TOGL DESCONTINUADO
25	WE4X249	SWITCH ASM 1 TOGL DESCONTINUADO
26	WE19X860	TRIM ASM TOP (S/P)
26	WE19X810	TRIM ASM TOP (S/P)
29	WH1X1394	PIN DESCONTINUADO
30	WE1X835	KEY SWITCH (S/P)
33	WE19X310	TRIM REAR DESCONTINUADO

35	WE4X615	SWITCH ASM 5 BUTTON DESCONTINUADO
36	WH1X2257	BUTTON SWITCH (S/P)
36	WH1X2562	BUTTON SWITCH (S/P)
40	WE1X916	BUZZER (SIGNAL) (S/P)
41	WE1X980	CLIP KNOB (S/P)
43	WH16X343	PLATE SWITCH (S/P)
70	WH2X937	SCREW-TYPE A (S/P)
71	WH2X947	SCREW (S/P)
75	WH2X930	SCREW 8-18 AB HXW 3/8 (S/P)
76	WZ5X120	SCREW (S/P)
79	WE1X690	BUZZER (S/P)
87	WE4X605	SWITCH ASM ROTARY DESCONTINUADO
90	WH16X434	BRACKET SWITCH (S/P)
100	WE4X758	TIMER ASM DESCONTINUADO
100	WE4X821	TIMER ASM (S/P)
100	WE4X680	TIMER ASM (S/P)
100	WE4X525	TIMER ASM
148	WE4X499	RESISTOR BOARD (S/P)
149	WZ4X280	SCREW 8-18 HXW DESCONTINUADO
167	WE2X186	SCREW (S/P)
211	WE1X553	GASKET INSULATING DESCONTINUADO
309	WE1X427	HOUSING LAMP (S/P)
314	WX12X1456	LAMP K DESCONTINUADO
375	WE4X185	SOCKET ASM (S/P)
1002	WH46X212	WELD ASM-HOUSING AD (S/P)
1002	WH46X215	WELD ASM-HOUSING HA (S/P)
1002	WH46X247	BACKSPLASH WRAPPER DS DESCONTINUADO
1002	WH46X211	WELD ASM-HOUSING WH DESCONTINUADO
1002	WH46X248	BACKSPLASH WRAPPER SL DESCONTINUADO

DDE7500GAL TABLERO

Modelo DDE6350GAL



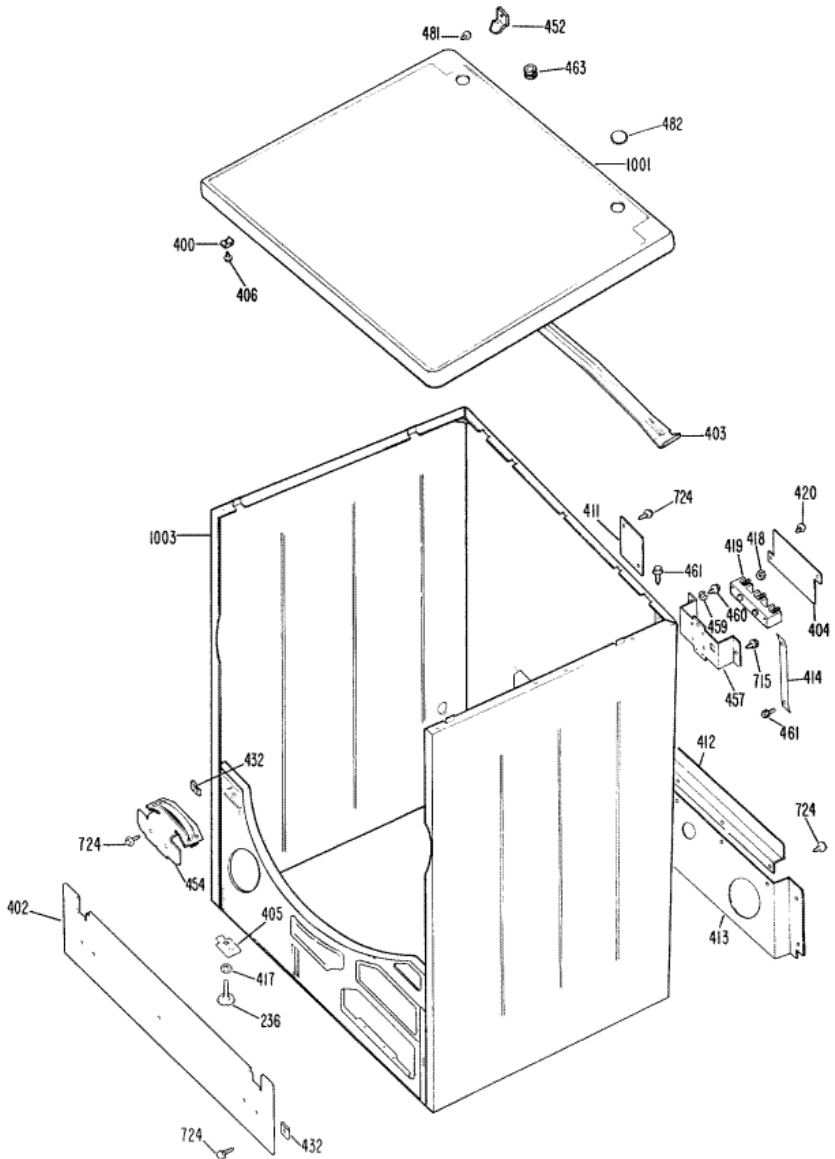


DDE7500GAL TABLERO

2	WE19X719	ESCUTCHEON ASM DESCONTINUADO
3	WE19X793	TRIM-END LH (S/P)
3	WE19X796	TRIM-END L.H. (S/P)
3	WH42X974	TRIM-END L.H. (S/P)
3	WE19X796	TRIM-END LH (S/P)
4	WE19X797	TRIM-END R.H. (S/P)
4	WE19X796	TRIM-END RH (S/P)
4	WE19X792	TRIM-END RH (S/P)
4	WH42X975	TRIM-END R.H. DESCONTINUADO
7	WE1X1266	KNOB & CLIP ASM (S/P)
12	WB1X358	NUT-SHEET METAL (S/P)
13	WE19X844	SWITCH TRIM ASM DESCONTINUADO
13	WE19X854	SWITCH TRIM ASM DESCONTINUADO
13	WE19X855	SWITCH TRIM ASM DESCONTINUADO
13	WE19X858	SWITCH TRIM ASM DESCONTINUADO
13	WE19X859	SWITCH TRIM ASM DESCONTINUADO
13	WE19X849	SWITCH TRIM ASM DESCONTINUADO
13	WE19X847	SWITCH TRIM ASM DESCONTINUADO
13	WE19X845	SWITCH TRIM ASM DESCONTINUADO
14	WE1X762	CLIP-GROUND (S/P)
17	WH1X2008	CLIP-TRIM (S/P)
17	WE1X577	CLIP-TRIM DESCONTINUADO
19	WE1X1069	KNOB ASM-SWITCH DESCONTINUADO
21	WE13X76	PLATE-CONTROL DESCONTINUADO
24	WZ2X510	SCR 8-32 M HX 3/16 S (S/P)
33	WE19X310	TRIM-REAR DESCONTINUADO
41	WE1X980	CLIP-KNOB (S/P)
70	WH2X937	SCR 10-1 5 A HXW 7/16 S (S/P)
71	WH2X947	SCR 8-18 AB OV 3/4 S (S/P)
74	WE13X137	BRACKET SWITCH (S/P)
75	WH2X930	SCR 8-18 AB HXW 3/8 S (S/P)
76	WZ5X120	SCR 8-18 AB OPR 3/4 S (S/P)
85	WE4X603	SWITCH ASM-ROTARY 4 POS (S/P)

89	WE4X679	SWITCH ROTARY START
90	WH16X434	BRACKET SWITCH (S/P)
100	WE4X538	TIMER ASM (S/P)
100	WE4X680	TIMER ASM (S/P)
100	WE4X622	TIMER ASM (S/P)
100	WE4X525	TIMER ASM
148	WE4X499	BOARD & RESISTOR-TERM (S/P)
167	WE2X186	SCR 1/4-14 AB HXW 3/4 S (S/P)
211	WE1X553	GASKET-INSULATING DESCONTINUADO
1002	WH46X215	BACKSPLASH WRAPPER HA DESCONTINUADO
1002	WH46X211	BACKSPLASH WRAPPER WH DESCONTINUADO
1002	WH46X247	BACKSPLASH WRAPPER DS DESCONTINUADO
1002	WH46X248	BACKSPLASH WRAPPER SL DESCONTINUADO
1002	WH46X212	BACKSPLASH WRAPPER AD (S/P)

DDE750GAL GABINETE

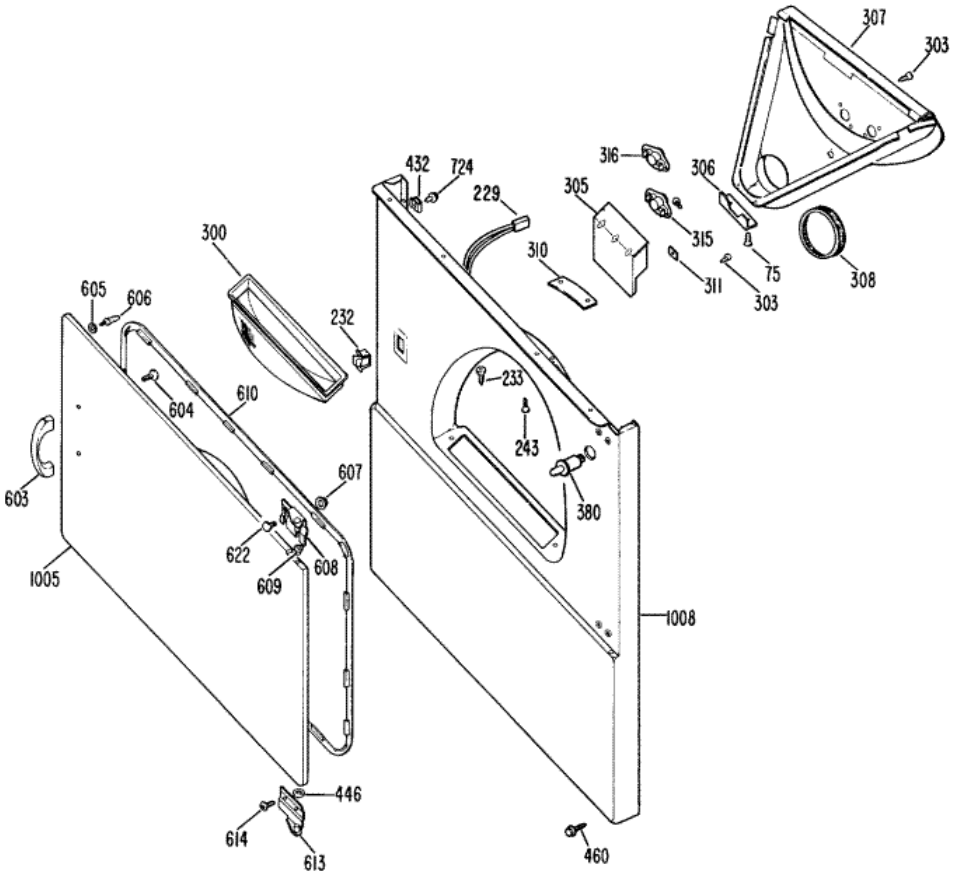




DDE7500GAL GABINETE

236	WE2X229	SCR 5/16-24 LVL 2 S (S/P)
400	WE2X134	CLIP (S/P)
402	WE20X347	TOEBOARD (S/P)
403	WH16X514	BRACE-CABINET TOP (S/P)
404	WE1X425	PLATE (S/P)
405	WE1X468	PLATE-LEVELING SCREW (S/P)
406	WZ4X236	SCR 8-15 A OVR 1/2 S (S/P)
411	WE1X426	KNOCKOUT-CABINET WRAPPER DESCONTINUADO
412	WE14X54	BRACKET-RECESS (S/P)
413	WE14X55	BOX ASM-RECESS DESCONTINUADO
414	WE1X339	STRAP-GROUND (S/P)
417	WZ7X38	NUT DESCONTINUADO
418	WZ7X31	NUT DESCONTINUADO
419	WE4X168	BLOCK-TERMINAL (S/P)
420	WH2X893	SCR 10-16 B HXW 3/8 S (S/P)
432	WL2X71	NUT-CLIP DESCONTINUADO
452	WH16X431	BRACKET-HINGE DESCONTINUADO
454	WE25X60	SLIDE ASM
457	WE13X162	BRACKET TERMINAL BLOCK (S/P)
459	WE2X92	WASHER-CUP DESCONTINUADO
460	WZ4X264	SCR 10-16 AB HXW 7/8 S (S/P)
461	WZ5X158	SCR 8-32 D HXW 3/8 S (S/P)
463	WE1X956	SLEEVE-SPLIT (S/P)
481	WH2X967	SCR 12-14 AB HXW 1/2 S (S/P)
525	WE25X97	PACK ASM INSTALLATION (S/P)
715	WD2X5063	SCR 8-18 PH HX 13/32 S (S/P)
724	WZ4X288	SCR 10-16 AB HXW 1/2 S (S/P)
1001	WE20X664	WELD ASM-COVER WH DESCONTINUADO
1001	WE20X665	WELD ASM-COVER AD DESCONTINUADO
1001	WE20X666	WELD ASM-COVER HA DESCONTINUADO
1003	WE20X670	CABINET ASM AD DESCONTINUADO
1003	WE20X671	CABINET ASM HA DESCONTINUADO

DDE7500GAL PUERTA





DDE7500GAL PUERTA

75	WH2X930	SCR 8-18 AB HXW 3/8 S (S/P)
229	WH12X183	HOUSING-RECEPTACLE (S/P)
232	WE1M536	LATCH-ASM (S/P)
233	WZ4X236	SCR 8-15 A OV 1/2 S (S/P)
243	WZ5X155	SCR 8-15 A FL 3/8 S DESCONTINUADO
300	WE18X26	FILTER ASM-LINT
303	WE2X270	SCR 8-15 A TR 1/2 S DESCONTINUADO
305	WE1X944	COVER-THERMOSTAT DESCONTINUADO
306	WE1X409	CLAMP (S/P)
307	WE14X144	DUCT-TRAP DESCONTINUADO
307	WE14X143	DUCT-TRAP DESCONTINUADO
308	WE9X38	SEAL ASM-FELT (S/P)
310	WE1X446	PLATE-CLOSURE DESCONTINUADO
311	WE2X192	CLIP (S/P)
315	WE4X600	THERMOSTAT L1 45-15 (S/P)
316	WE4X601	THERMOSTAT LL 35-15 (S/P)
380	WE4X197	SWITCH ASM-PUSH BUTTON
432	WL2X71	NUT-CLIP DESCONTINUADO
446	WE2X279	WASHER-FLAT (S/P)
460	WZ4X264	SCR 10-16 AB HXW 7/8 S DESCONTINUADO
603	WE1X257	HANDLE DOOR (S/P)
604	WE2X227	SCR 10-24 T PT 13/16 S (S/P)
605	WZ10X16	WASHER-FLAT (S/P)
606	WE1X1042	STRIKE (S/P)
607	WE2X110	NUT-SHEET METAL K (S/P)
608	WE1X345	BRACKET ASM-HINGE (S/P)
609	WE1X404	BUSHING-HINGE (S/P)
610	WE9X28	GASKET-DOOR (S/P)
613	WE1X344	BRACKET ASM-HINGE (S/P)
614	WZ4X257	SCR 10-32 TT PH 3/8 S (S/P)
622	WE2X177	SCR 10-32 M RD 1/2 S DESCONTINUADO
724	WZ4X288	SCR 10-16 AB HXW 1/2 S (S/P)
1005	WE10X262	DOOR ASM AD DESCONTINUADO

1005	WE10X258	DOOR ASM WH DESCONTINUADO
1005	WE10X260	DOOR ASM HA DESCONTINUADO
1008	WE20X500	CABINET FRONT ASM WH (S/P)
1008	WE20X564	CABINET FRONT ASM HA DESCONTINUADO
1008	WE20X566	CABINET FRONT ASM AD DESCONTINUADO
1008	WE20X685	CABINET FRONT ASM DS DESCONTINUADO
1008	WE20X686	CABINET FRONT ASM SL DESCONTINUADO



DDE7500GAL TAMBOR / MOTOR

14	WE1X762	CLIP-GROUND (S/P)
195	WH2X885	NUT (S/P)
199	WE2X280	SCR 14-10 A HX 1 S (S/P)
200	WE1X688	CLAMP ASM
201	WE16X16	WHEEL-BLOWER
201	WE16X30	WHEEL-BLOWER
202	WE1X689	BAFFLE-BLOWER HOUSING (S/P)
203	WE13X200	STRAP-MOTOR (S/P)
204	WE1X921	BRACKET-MOTOR (S/P)
205	WE13X161	BRACKET-MOTOR (S/P)
207	WE4X344	SWITCH-START FORM T MTR (S/P)
207	WE17X10010	SWITCH-START FORM V MTR
213	WE12X82	BELT-DRIVE
215	WE3X69	SPRING IDLER (S/P)
216	WE12X81	PULLEY ASM-IDLER
217	WE13X159	BRACKET IDLER SPRING (S/P)
218	WE14X85	HOUSING WELD ASM-BLOWER DESCONTINUADO
220	WE2X275	SCR 8-18 B HXW 5/8 S (S/P)
225	WE2X276	SCR 10-16 B HX 1/2 S (S/P)
228	WE14X65	ELBOW-EXHAUST DESCONTINUADO
234	WE2X154	NUT-SHEET METAL DESCONTINUADO
235	WE2X194	SCR 5/16-12 B HX 3/4 S (S/P)
247	WE1X759	BEARING
250	WE12X41	PULLEY-DRIVE
420	WH2X893	SCR 10-16 B HXW 3/8 S (S/P)
446	WE2X279	WASHER-FLAT (S/P)
500	WE1X299	CLIP (S/P)
501	WE9X30	SEALASM
503	WE21X49	DRUM ASM DESCONTINUADO
504	WE14X86	DEFLECTOR (S/P)
507	WE4X584	THERMOSTAT L258-50 (S/P)
508	WE25M40	SHAFT & BRACKET ASM
510	WE2X263	SCR 10-16 AB HXW 1/2 S (S/P)

512	WE11X67	HOUSING-HEATER DESCONTINUADO
513	WE1X461	RETAINER-BEARING (S/P)
515	WE1X1172	STRAP-GROUND (S/P)
516	WR1X10212	NUT-SHEET METAL (S/P)
517	WE1X336	INSULATOR (S/P)
518	WE1X335	CLIP (S/P)
519	WE11X260	COIL ASM-HEATER
520	WE1X158	INSULATOR-TERMINAL (S/P)
521	WE1X159	INSULATOR-TERMINAL (S/P)
522	WE2X136	SCR 1/4-28 HX 3/4 S DESCONTINUADO
523	WE2X183	WASHER-FLAT DESCONTINUADO
524	WE1X5104	RING-RETAINING (S/P)
530	WE2X278	NUT (S/P)
534	WE2X153	SCR 10-14 TF TR 1/2 S (S/P)
535	WE1X1063	TERMINAL (S/P)
539	WE25M40	WASHER-FLAT
540	WE2X198	WASHER-FLAT (S/P)
543	WE3X75	BEARING DRUM
550	WE2X281	SCR 8-18 AB HXW 3/8 S (S/P)
609	WE1X404	BUSHING-HINGE (S/P)
630	WE17X10010	MOTOR ASM