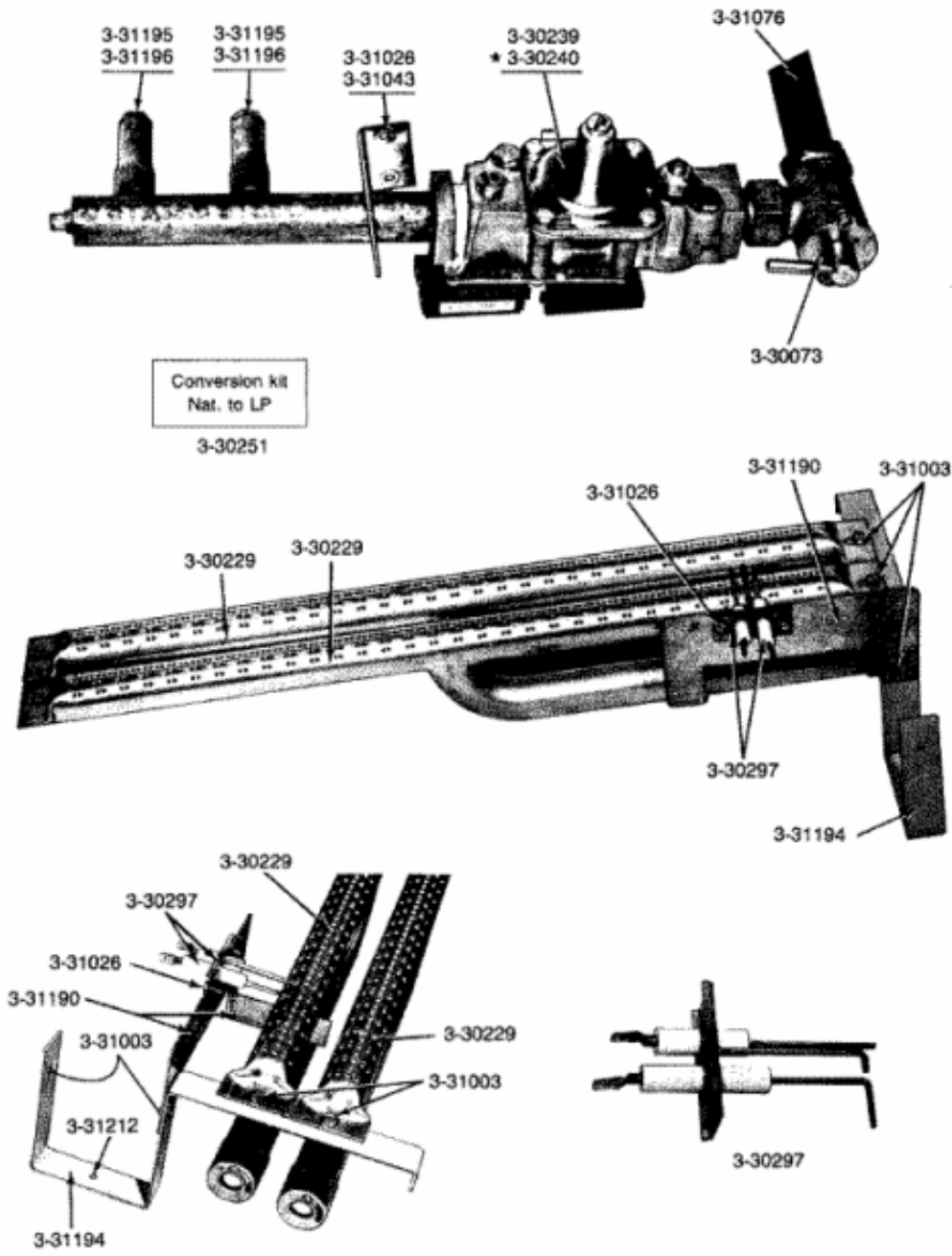




Denek

Benito Juárez 1500 Fracc. Zitoón, Guadalupe N.L.
Tels: 83-37-79-99 y 49 Sin costo: 01-800-872-79-99
Fax: 01-800-872-16-11 Sin costo: 01-800-87-16-10
www.denek.com e-mail: ventas@denek.com

MAYTAG SECADORA INDUSTRIAL MOD. DG33CA
ENSAMBLE QUEMADOR Y VALVULA DE GAS





Denek

Benito Juárez 1500 Fracc. Zitoón, Guadalupe N.L.
Tels: 83-37-79-99 y 49 Sin costo: 01-800-872-79-99
Fax: 01-800-872-16-11 Sin costo: 01-800-87-16-10
www.denek.com e-mail: ventas@denek.com

MAYTAG SECADORA INDUSTRIAL MOD. DG33CA

ENSAMBLE QUEMADOR Y VALVULA DE GAS

NUMERO	N. DE PARTE	DESCRIPCION
1	Y330073	VALVE, SHUT-OFF
2	Y330229	BURNER ASSEMBLY
3	Y330239	GAS VALVE - NAT
4	330240	GAS VALVE - LPG
5	Y330250	COIL ON GAS VALVE
6	330251	CONVERSION KIT-NAT TO LPG
7	330297	HI-VOLT CABLE & IGNITER KIT
8	331003	SCREW - BURNER TO BRACKET
9	331026	SCREW-SWITCH PLATE TO VAULT
10	331043	BRACKET FOR GAS CONTROL
11	331076	GAS SUPPLY LINE-28 1/2 INCH
12	331190	MOUNTING BRACKET
13	331194	BURNER SUPPORT BRACKET
14	331195	ORIFICE, MAIN BURNER-NAT.
15	331196	ORIFICE, MAIN BURNER-LPG
16	331212	SCREW

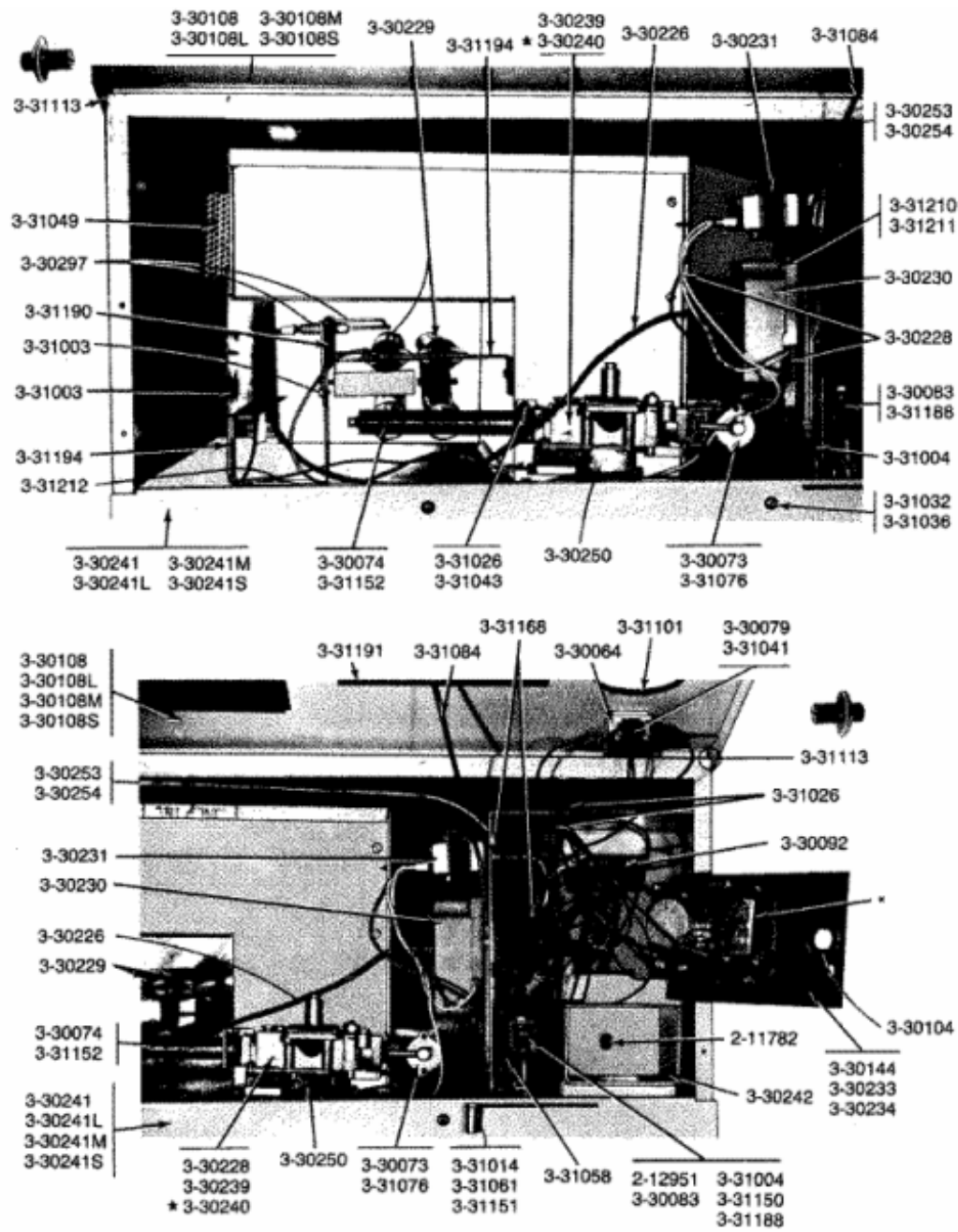


Denek

Benito Juárez 1500 Fracc. Zitoón, Guadalupe N.L.
Tels: 83-37-79-99 y 49 Sin costo: 01-800-872-79-99
Fax: 01-800-872-16-11 Sin costo: 01-800-87-16-10
www.denek.com e-mail: ventas@denek.com

MAYTAG SECADORA INDUSTRIAL MOD. DG33CA

VALVULA DEL QUEMADOR Y CONTROLES





Denek

Benito Juárez 1500 Fracc. Zitoón, Guadalupe N.L.
Tels: 83-37-79-99 y 49 Sin costo: 01-800-872-79-99
Fax: 01-800-872-16-11 Sin costo: 01-800-87-16-10
www.denek.com e-mail: ventas@denek.com

MAYTAG SECADORA INDUSTRIAL MOD. DG33CA

VALVULA DEL QUEMADOR Y CONTROLES

NUMERO	N. DE PARTE	DESCRIPCION
1	211782	CAGE NUT
2	212951	SCREW, No.6-32 X 1/4 INCH
3	Y330064	PILOT LIGHT
4	Y330073	VALVE, SHUT-OFF
5	330074	MANIFOLD FOR MAIN BURNER
6	Y330079	SWITCH, PUSH-TO-START
7	Y330083	CONTROL, TEMPERATURE
8	Y330092	TERMINAL BLOCK
9	330104	LOCK
10	330108	FRONT PANEL-WHITE
14	Y330201	HIGH LIMIT THERMOSTAT
15	Y330226	WIRE F/IGNITION CONTROL ASS
16	Y330228	HARNESS FOR GAS VALVE
17	Y330229	BURNER ASSEMBLY
18	Y330230	IGNITION CTRL ASSY.
19	Y330231	TRANSFORMER
21	330234	MOUNTING PLATE
22	Y330239	GAS VALVE - NAT
23	330240	GAS VALVE - LPG
24	Y330241	FRONT PANEL-WHITE
27	Y330242	VAULT ASSEMBLY
28	Y330250	COIL ON GAS VALVE
29	Y330253	FUSE
30	Y330254	FUSE BLOCK
31	330297	HI-VOLT CABLE & IGNITER KIT
32	331003	SCREW - BURNER TO BRACKET
33	331004	SCREW - BRACKET TO VAULT
34	331012	SCREW-HEX HEAD SLOTTED 8X3/
35	331014	SCREW - TEMP. KNOB TO LEVER



Denek

Benito Juárez 1500 Fracc. Zitoón, Guadalupe N.L.
Tels: 83-37-79-99 y 49 Sin costo: 01-800-872-79-99
Fax: 01-800-872-16-11 Sin costo: 01-800-87-16-10
www.denek.com e-mail: ventas@denek.com

MAYTAG SECADORA INDUSTRIAL MOD. DG33CA

VALVULA DEL QUEMADOR Y CONTROLES

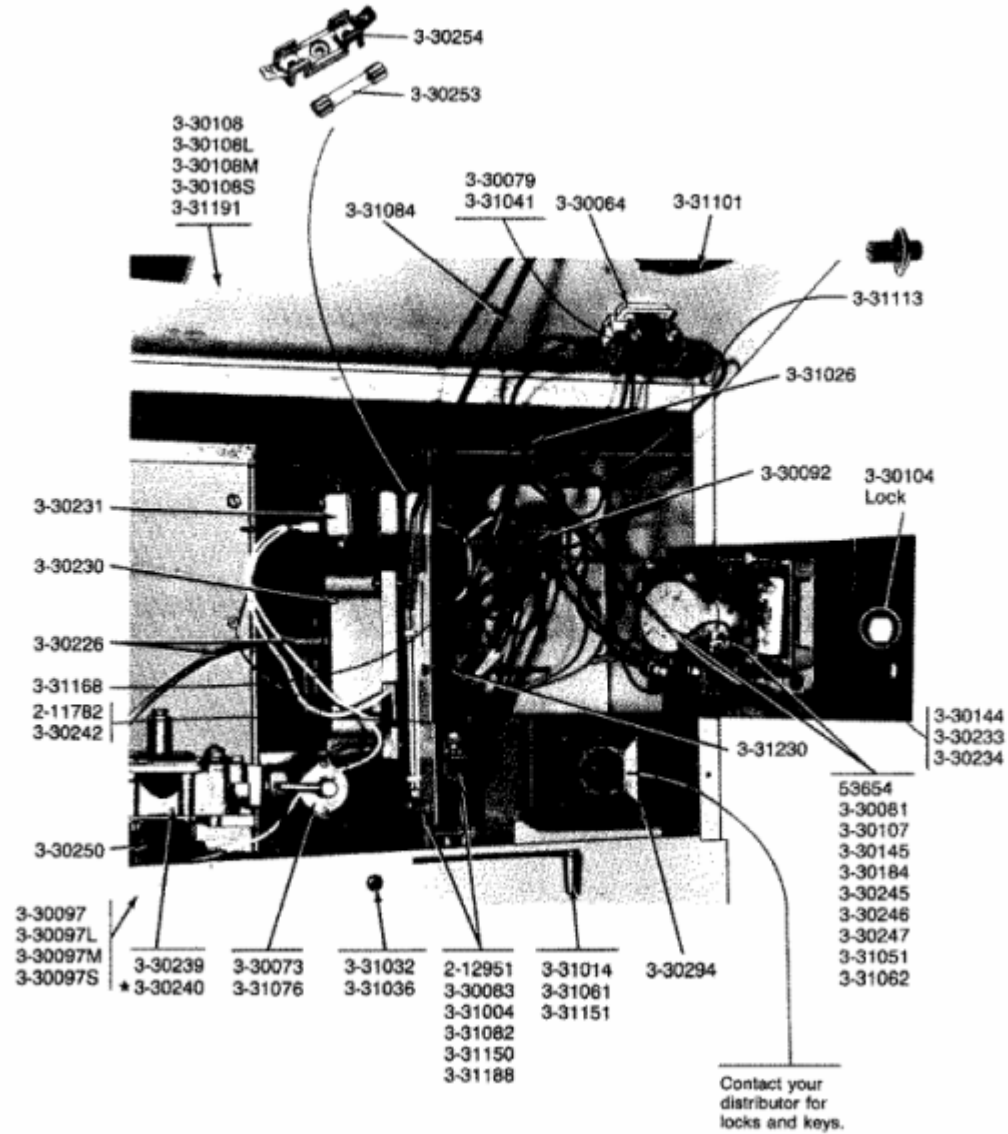
36	331026	SCREW-SWITCH PLATE TO VAULT
37	331032	SCREW - CENTER PANEL
38	331036	WASHER-FRONT PANEL SCREWS
39	331041	BUTTON-PUSH-TO-START SWITCH
40	331043	BRACKET FOR GAS CONTROL
41	331049	VENTILATED COVER - HI-LIMIT
42	331058	GROMMET-TEMP. CONTROL TUBIN
43	331061	KNOB FOR TEMPERATURE CONTRO
44	331076	GAS SUPPLY LINE-28 1/2 INCH
45	331081	SPACER - HI-LIMIT TO HOOD
46	331084	SUPPORT ROD FOR UPPER DOOR
47	331101	BEZEL FOR TIMER-ACCUMULATOR
48	331113	HINGE RIVET
49	331150	BRACKET-TEMPERATURE CONTROL
50	331151	LEVER-TEMPERATURE CONTROL
51	331152	BRACKET FOR MANIFOLD
52	331168	NUT FOR CONDUIT
53	331188	GROMMET-TEMP. CONTROL TUBIN
54	331190	MOUNTING BRACKET
55	331191	DECAL-LIGHTING & CLEARANCE
56	331194	BURNER SUPPORT BRACKET
57	331210	SCREW
58	331211	NUT
60	331212	SCREW



Denek

Benito Juárez 1500 Fracc. Zitoón, Guadalupe N.L.
 Tels: 83-37-79-99 y 49 Sin costo: 01-800-872-79-99
 Fax: 01-800-872-16-11 Sin costo: 01-800-87-16-10
www.denek.com e-mail: ventas@denek.com

MAYTAG SECADORA INDUSTRIAL MOD. DG33CA
 CENTRO DE CONTROL Y COMPONENTES





Denek

Benito Juárez 1500 Fracc. Zitoón, Guadalupe N.L.
Tels: 83-37-79-99 y 49 Sin costo: 01-800-872-79-99
Fax: 01-800-872-16-11 Sin costo: 01-800-87-16-10
www.denek.com e-mail: ventas@denek.com

MAYTAG SECADORA INDUSTRIAL MOD. DG33CA

CENTRO DE CONTROL Y COMPONENTES

NUMERO	N. DE PARTE	DESCRIPCION
1	53654	SCREW, No.5-40 X 3/8
2	211782	CAGE NUT
3	212951	SCREW, No.6-32 X 1/4 INCH
4	Y330064	PILOT LIGHT
5	Y330073	VALVE, SHUT-OFF
6	Y330079	SWITCH, PUSH-TO-START
7	330081	TIMER - CA 60 MINUTES
8	Y330083	CONTROL, TEMPERATURE
9	Y330092	TERMINAL BLOCK
10	330097	FRONT PANEL-WHITE
13	330104	LOCK
15	330108	FRONT PANEL-WHITE
18	330144	MOUNTING PLATE-ACCUMULATOR
19	Y330145	CONTA ACCUMULATOR ASSEMBLY
20	330184	TIMER ACCUMULATOR-25
21	Y330294	COIN BOX ASSEMBLY
22	Y330226	WIRE F/IGNITION CONTROL ASS
23	Y330230	IGNITION CTRL ASSY.
24	Y330231	TRANSFORMER
26	Y330239	GAS VALVE - NAT
27	330240	GAS VALVE - LPG
28	Y330242	VAULT ASSEMBLY
29	330245	TIMER ACCUMULATOR - .25-.10
30	330246	TIMER ACCUMULATOR - .10
31	330247	TIMER ACCUMULATOR - .25
32	Y330250	COIL ON GAS VALVE
33	Y330253	FUSE
34	Y330254	FUSE BLOCK
35	331004	SCREW - BRACKET TO VAULT



Denek

Benito Juárez 1500 Fracc. Zitoón, Guadalupe N.L.
Tels: 83-37-79-99 y 49 Sin costo: 01-800-872-79-99
Fax: 01-800-872-16-11 Sin costo: 01-800-87-16-10
www.denek.com e-mail: ventas@denek.com

MAYTAG SECADORA INDUSTRIAL MOD. DG33CA

CENTRO DE CONTROL Y COMPONENTES

36	331014	SCREW - TEMP. KNOB TO LEVER
37	331026	SCREW-SWITCH PLATE TO VAULT
38	331032	SCREW - CENTER PANEL
39	331036	WASHER-FRONT PANEL SCREWS
40	331041	BUTTON-PUSH-TO-START SWITCH
41	331051	TIMER DIAL - CA 60 MINUTES
42	331061	KNOB FOR TEMPERATURE CONTROL
43	331062	KNOB FOR TIMER
44	331076	GAS SUPPLY LINE-28 1/2 INCH
45	331082	SPACER - TEMP CONTROL COVER
46	331084	SUPPORT ROD FOR UPPER DOOR
47	331101	BEZEL FOR TIMER-ACCUMULATOR
48	331113	HINGE RIVET
49	331150	BRACKET-TEMPERATURE CONTROL
50	331151	LEVER-TEMPERATURE CONTROL
51	331168	NUT FOR CONDUIT
52	331188	GROMMET-TEMP. CONTROL TUBING
53	331191	DECAL-LIGHTING & CLEARANCE
54	331230	CLIP

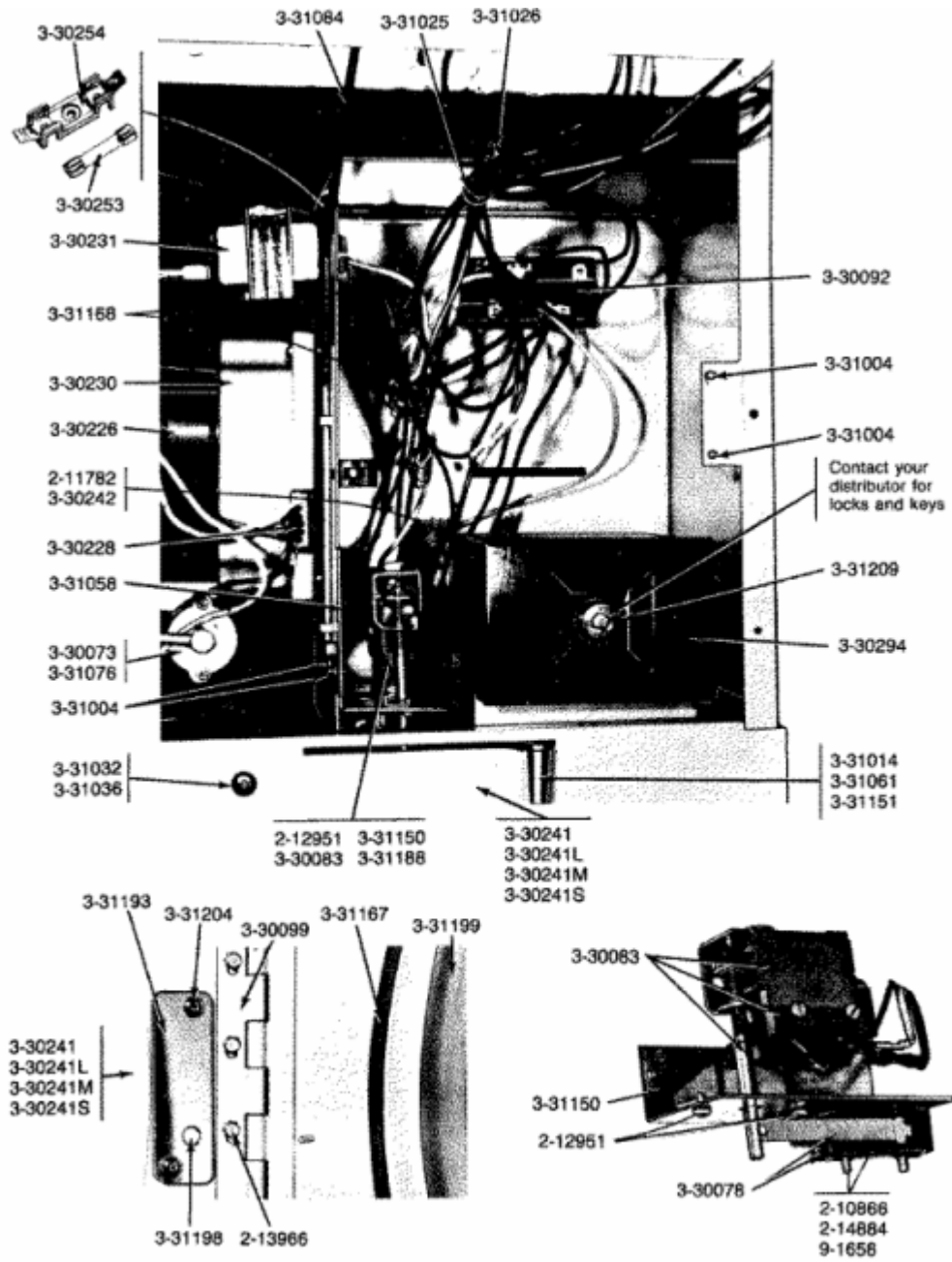


Denek

Benito Juárez 1500 Fracc. Zitoón, Guadalupe N.L.
Tels: 83-37-79-99 y 49 Sin costo: 01-800-872-79-99
Fax: 01-800-872-16-11 Sin costo: 01-800-87-16-10
www.denek.com e-mail: ventas@denek.com

MAYTAG SECADORA INDUSTRIAL MOD. DG33CA

SWITCH DE PUERTA, CONTROL DE TEMPERATURA





Denek

Benito Juárez 1500 Fracc. Zitoón, Guadalupe N.L.
Tels: 83-37-79-99 y 49 Sin costo: 01-800-872-79-99
Fax: 01-800-872-16-11 Sin costo: 01-800-87-16-10
www.denek.com e-mail: ventas@denek.com

MAYTAG SECADORA INDUSTRIAL MOD. DG33CA

SWITCH DE PUERTA, CONTROL DE TEMPERATURA

NUMERO	N. DE PARTE	DESCRIPCION
1	210866	TWIN SPEED NUT
2	211782	CAGE NUT
3	212951	SCREW, No.6-32 X 1/4 INCH
4	213966	SCREW-TIMER TO CONTROL PANE
5	214884	SCREW - LID SWITCH
6	Y330073	VALVE, SHUT-OFF
8	Y330083	CONTROL, TEMPERATURE
9	Y330092	TERMINAL BLOCK
10	330099	HINGE FOR DOOR
11	Y330226	WIRE F/IGNITION CONTROL ASS
12	Y330228	HARNESS FOR GAS VALVE
13	Y330230	IGNITION CTRL ASSY.
14	Y330231	TRANSFORMER
15	Y330232	DOOR SWITCH
16	Y330241	FRONT PANEL-WHITE
19	Y330242	VAULT ASSEMBLY
20	Y330253	FUSE
21	Y330254	FUSE BLOCK
22	Y330294	COIN BOX ASSEMBLY
23	331004	SCREW - BRACKET TO VAULT
24	331014	SCREW - TEMP. KNOB TO LEVER
25	331025	CABLE CLAMP
26	331026	SCREW-SWITCH PLATE TO VAULT
27	331032	SCREW - CENTER PANEL
28	331036	WASHER-FRONT PANEL SCREWS
29	331058	GROMMET-TEMP. CONTROL TUBIN
30	331061	KNOB FOR TEMPERATURE CONTRO
31	331076	GAS SUPPLY LINE-28 1/2 INCH
32	331084	SUPPORT ROD FOR UPPER DOOR



Denek

Benito Juárez 1500 Fracc. Zitoón, Guadalupe N.L.
Tels: 83-37-79-99 y 49 Sin costo: 01-800-872-79-99
Fax: 01-800-872-16-11 Sin costo: 01-800-87-16-10
www.denek.com e-mail: ventas@denek.com

MAYTAG SECADORA INDUSTRIAL MOD. DG33CA

SWITCH DE PUERTA, CONTROL DE TEMPERATURA

33	331150	BRACKET-TEMPERATURE CONTROL
34	331151	LEVER-TEMPERATURE CONTROL
35	331167	GASKET FOR DOOR-OUTER
36	331168	NUT FOR CONDUIT
37	331188	GROMMET-TEMP. CONTROL TUBIN
38	331193	COVER FOR DOOR SWITCH BOX
39	331197	SHIELD FOR DOOR SWITCH
40	331198	ACTUATOR FOR DOOR SWITCH
41	331199	GASKET FOR DOOR GLASS
42	331201	DOOR SWITCH BOX
43	331204	SCREW
44	331205	SCREW
45	331206	TWIN FASTENER
46	331209	WASHER FOR COIN BOX LOCK
47	901658	TWIN FASTENER WITH SCREWS

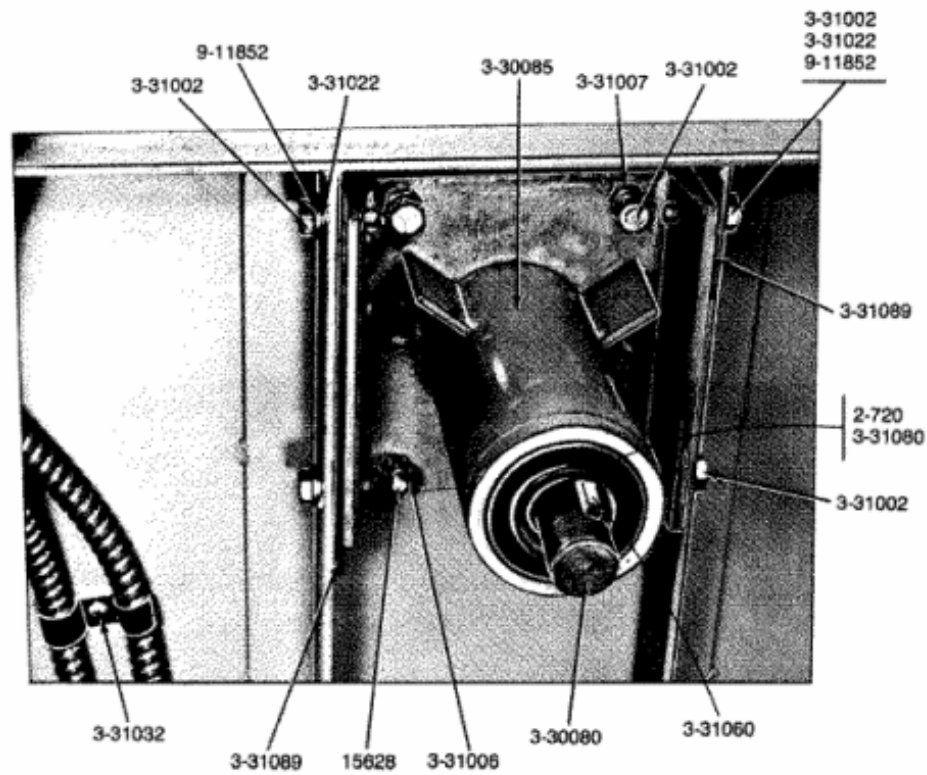


Denek

Benito Juárez 1500 Fracc. Zitoón, Guadalupe N.L.
Tels: 83-37-79-99 y 49 Sin costo: 01-800-872-79-99
Fax: 01-800-872-16-11 Sin costo: 01-800-87-16-10
www.denek.com e-mail: ventas@denek.com

MAYTAG SECADORA INDUSTRIAL MOD. DG33CA

ENSAMBLE BALERO DE TAMBOR





Denek

Benito Juárez 1500 Fracc. Zitoón, Guadalupe N.L.
Tels: 83-37-79-99 y 49 Sin costo: 01-800-872-79-99
Fax: 01-800-872-16-11 Sin costo: 01-800-87-16-10
www.denek.com e-mail: ventas@denek.com

MAYTAG SECADORA INDUSTRIAL MOD. DG33CA

ENSAMBLE BALERO DE TAMBOR

NUMERO	N. DE PARTE	DESCRIPCION
1	15628	BOLT, 5/16 X 3/4 HEX
2	Y200720	BALL BEARING, RADIAL
3	Y330080	SPIDER AND SHAFT ASY.
4	Y330085	DRUM SUPPORT HOUSING
5	331002	BOLT FOR DRUM
6	331006	NUT-DRUM SUPPORT BOLT, 5/16
7	331007	NUT-DRUM SUPPORT BOLT, 3/8
8	331022	WASHER FOR DRUM SUPPORT
9	331032	SCREW - CENTER PANEL
10	331060	KEY FOR DRUM
11	331080	SPACER FOR CENTER BEARING
12	331089	SHIM FOR DRUM ROD
13	911852	WASHER, LOCK (BRACE)

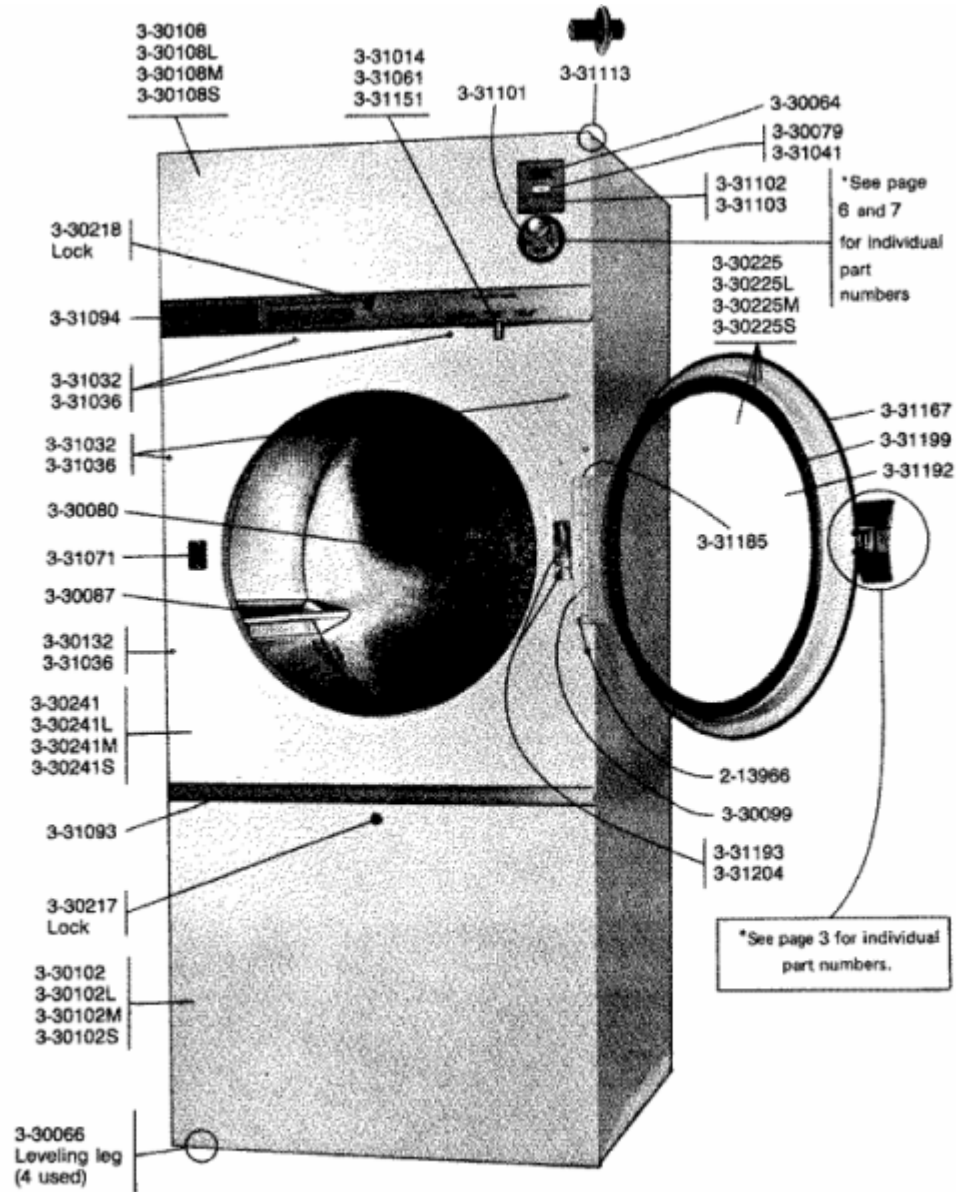


Denek

Benito Juárez 1500 Fracc. Zitoón, Guadalupe N.L.
Tels: 83-37-79-99 y 49 Sin costo: 01-800-872-79-99
Fax: 01-800-872-16-11 Sin costo: 01-800-87-16-10
www.denek.com e-mail: ventas@denek.com

MAYTAG SECADORA INDUSTRIAL MOD. DG33CA

VISTA FRONTAL





Denek

Benito Juárez 1500 Fracc. Zitoón, Guadalupe N.L.
Tels: 83-37-79-99 y 49 Sin costo: 01-800-872-79-99
Fax: 01-800-872-16-11 Sin costo: 01-800-87-16-10
www.denek.com e-mail: ventas@denek.com

MAYTAG SECADORA INDUSTRIAL MOD. DG33CA

VISTA FRONTAL

NUMERO	N. DE PARTE	DESCRIPCION
1	213966	SCREW-TIMER TO CONTROL PANE
2	Y330064	PILOT LIGHT
3	330066	LEVELING LEG
4	Y330079	SWITCH, PUSH-TO-START
5	Y330080	SPIDER AND SHAFT ASY.
6	Y330087	DRUM ASSEMBLY COMPLETE
7	330099	HINGE FOR DOOR
8	Y330102	FRONT PANEL-WHITE
11	330108	FRONT PANEL-WHITE
14	Y330217	LOCK
15	Y330218	LOCK
16	Y330225	DOOR ASSEMBLY-WHITE
19	Y330241	FRONT PANEL-WHITE
22	331014	SCREW - TEMP. KNOB TO LEVER
23	331032	SCREW - CENTER PANEL
24	331036	WASHER-FRONT PANEL SCREWS
25	331041	BUTTON-PUSH-TO-START SWITCH
26	331061	KNOB FOR TEMPERATURE CONTRO
27	331064	MAGNET FOR DOOR HANDLE
28	331071	STRIKE PLATE FOR DOOR
29	331093	TRIM STRIP-LOWER FRONT PANE
30	331094	TRIM BAR FOR UPPER PANEL
31	331096	POLE BLOCK FOR DOOR MAGNET
32	331101	BEZEL FOR TIMER-ACCUMULATOR
33	331102	INSTRUCTION PLATE - CA
34	331113	HINGE RIVET
35	331151	LEVER-TEMPERATURE CONTROL
36	331167	GASKET FOR DOOR-OUTER
37	331185	HINGE PIN FOR DOOR
38	331192	GLASS FOR LOADING DOOR
39	331193	COVER FOR DOOR SWITCH BOX
40	331199	GASKET FOR DOOR GLASS
41	331200	HANDLE FOR DOOR
42	331204	SCREW
43	331207	SCREW FOR DOOR HANDLE
44	331208	ROLL PIN FOR DOOR HANDLE

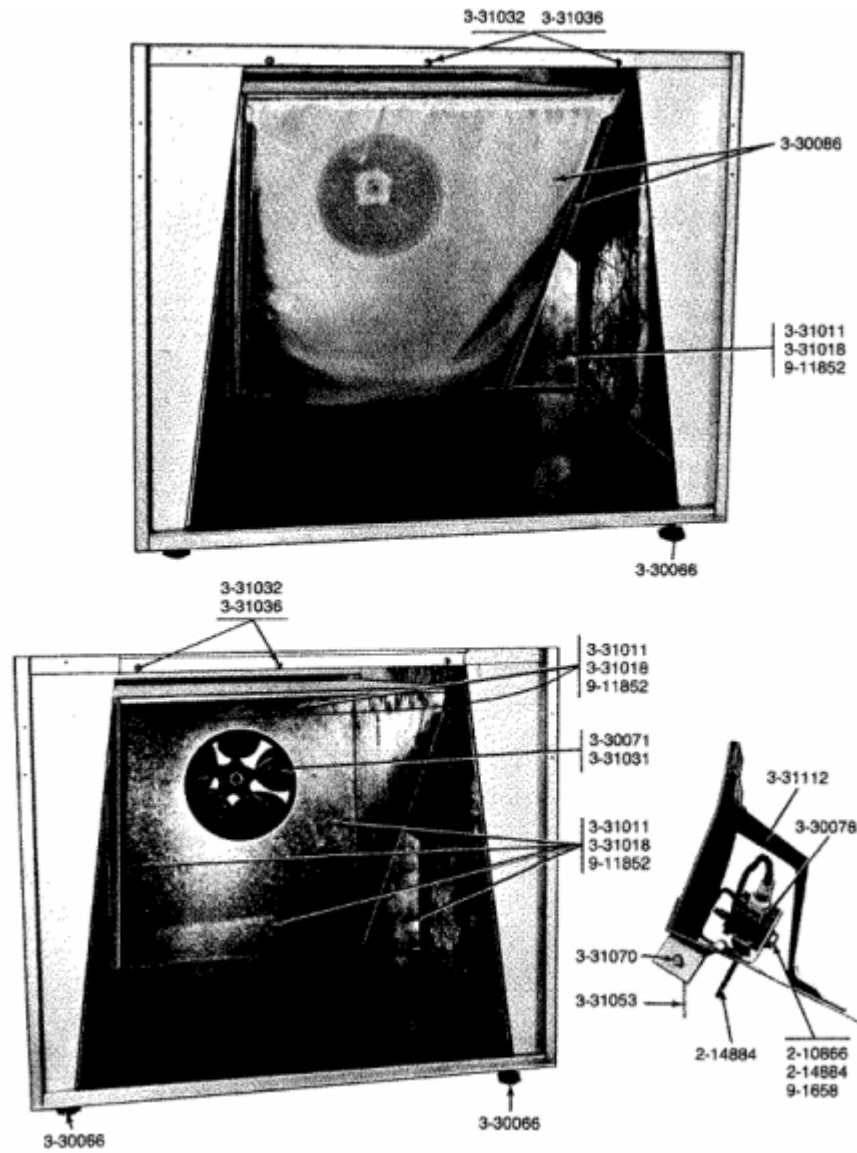


Denek

Benito Juárez 1500 Fracc. Zitoón, Guadalupe N.L.
Tels: 83-37-79-99 y 49 Sin costo: 01-800-872-79-99
Fax: 01-800-872-16-11 Sin costo: 01-800-87-16-10
www.denek.com e-mail: ventas@denek.com

MAYTAG SECADORA INDUSTRIAL MOD. DG33CA

FILTRO VISTA INFERIOR





Denek

Benito Juárez 1500 Fracc. Zitoón, Guadalupe N.L.
Tels: 83-37-79-99 y 49 Sin costo: 01-800-872-79-99
Fax: 01-800-872-16-11 Sin costo: 01-800-87-16-10
www.denek.com e-mail: ventas@denek.com

MAYTAG SECADORA INDUSTRIAL MOD. DG33CA

FILTRO VISTA INFERIOR

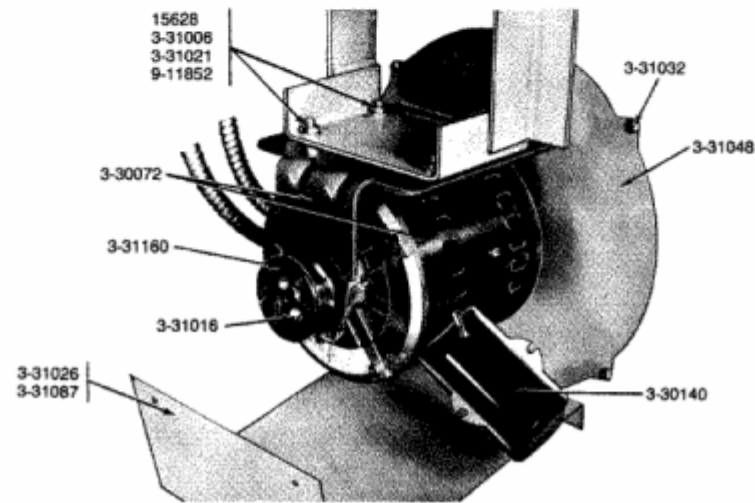
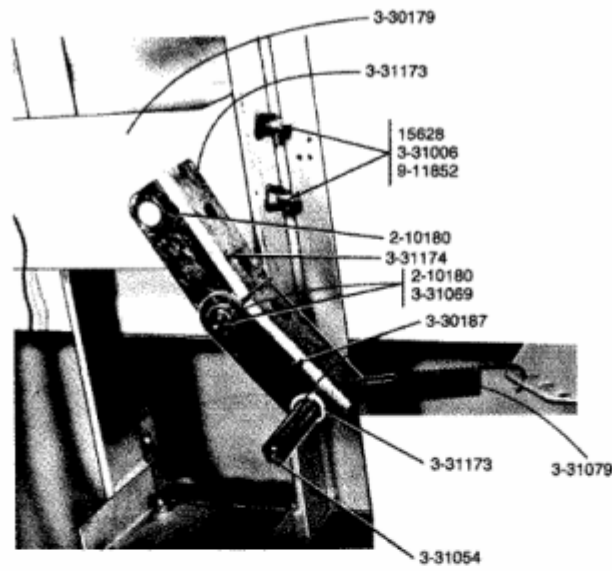
NUMERO	N. DE PARTE	DESCRIPCION
1	Y055980	HI-TEMP ADHESIVE, 2 OZ TUBE
2	210866	TWIN SPEED NUT
3	214884	SCREW - LID SWITCH
4	330066	LEVELING LEG
5	Y330071	IMPELLER FOR BLOWER
6	Y330078	SWITCH, DAMPER
7	Y330086	LINT SCREEN WITH FRAME
8	331011	WING NUT - LINT HOOD TO CAB
9	331018	WASHER-LINT HOOD TO CABINET
10	331031	SET SCREW FOR IMPELLER
11	331032	SCREW - CENTER PANEL
12	331036	WASHER-FRONT PANEL SCREWS
13	331053	DAMPER
14	331070	HINGE PIN FOR DAMPER
15	331112	SHIELD FOR DAMPER SWITCH
16	901658	TWIN FASTENER WITH SCREWS
17	911852	WASHER, LOCK (BRACE)



Denek

Benito Juárez 1500 Fracc. Zitoón, Guadalupe N.L.
Tels: 83-37-79-99 y 49 Sin costo: 01-800-872-79-99
Fax: 01-800-872-16-11 Sin costo: 01-800-87-16-10
www.denek.com e-mail: ventas@denek.com

MAYTAG SECADORA INDUSTRIAL MOD. DG33CA
MOTOR Y POLEA ENSAMBLADA





Denek

Benito Juárez 1500 Fracc. Zitoón, Guadalupe N.L.
Tels: 83-37-79-99 y 49 Sin costo: 01-800-872-79-99
Fax: 01-800-872-16-11 Sin costo: 01-800-87-16-10
www.denek.com e-mail: ventas@denek.com

MAYTAG SECADORA INDUSTRIAL MOD. DG33CA

MOTOR Y POLEA ENSAMBLADA

NUMERO	N. DE PARTE	DESCRIPCION
1	15628	BOLT, 5/16 X 3/4 HEX
2	210180	RETAINING RING
3	Y330072	MOTOR COMPLETE
4	330140	CAPICATOR
5	Y330179	BRACKET AND PIN
6	330187	IDLER ARM ASSEMBLY WITH PIN
7	330204	INTERNAL MOTOR SWITCH
8	331006	NUT-DRUM SUPPORT BOLT, 5/16
9	331016	SET SCREW FOR MOTOR PULLEY
10	331021	WASHER - MOTOR SUPPORT BOLT
11	331026	SCREW-SWITCH PLATE TO VAULT
12	331032	SCREW - CENTER PANEL
13	331048	COVER FOR BLOWER IMPELLER
14	331054	GREASE FITTING - PULLEY PIN
15	331069	PIVOT PIN FOR TENSION ARMS
16	331079	TENSION SPRING
17	331087	SHIELD FOR MOTOR
18	331104	SUPPORT FOR REAR COVER-LEFT
19	331105	RIB, TUMBLER (ONLY)
20	331160	MOTOR PULLEY
21	331162	V BELT - DRIVE
22	331173	WASHER
23	331174	IDLER BRACKET
24	911852	WASHER, LOCK (BRACE)

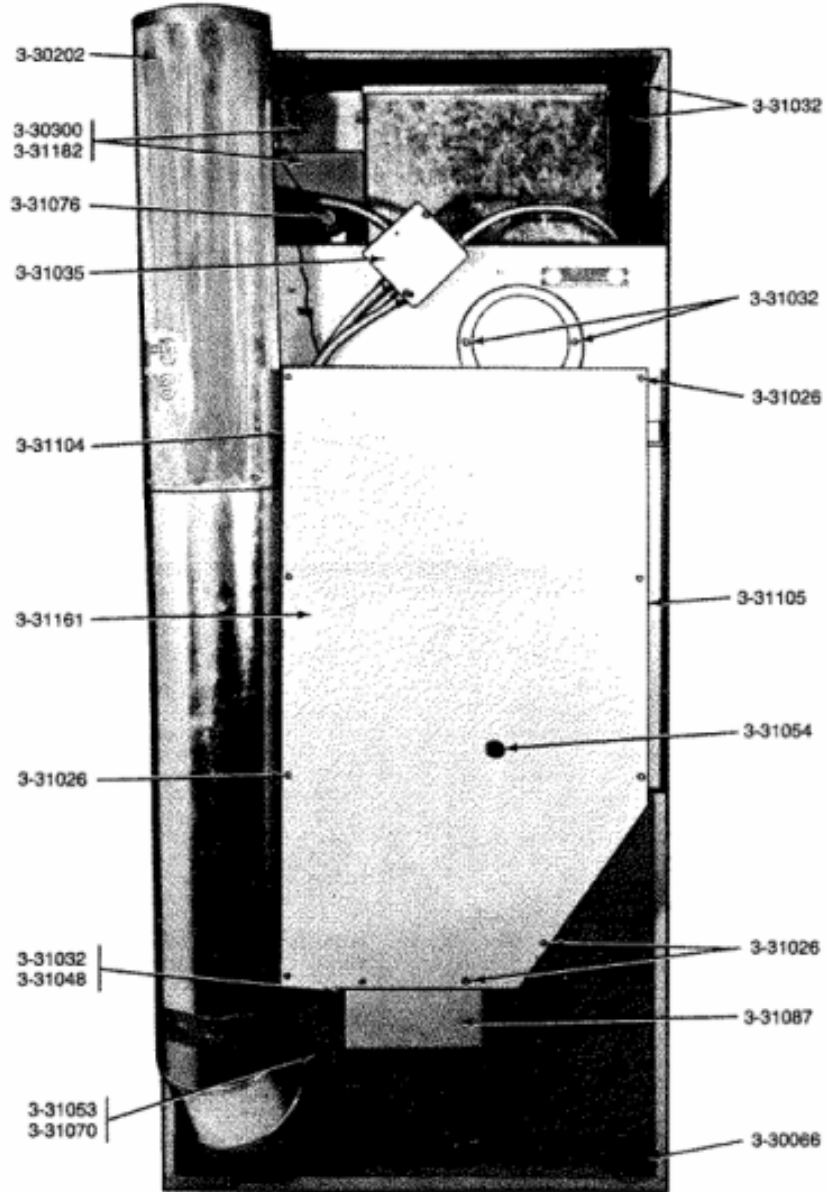


Denek

Benito Juárez 1500 Fracc. Zitoón, Guadalupe N.L.
Tels: 83-37-79-99 y 49 Sin costo: 01-800-872-79-99
Fax: 01-800-872-16-11 Sin costo: 01-800-87-16-10
www.denek.com e-mail: ventas@denek.com

MAYTAG SECADORA INDUSTRIAL MOD. DG33CA

VISTA POSTERIOR





Denek

Benito Juárez 1500 Fracc. Zitoón, Guadalupe N.L.
Tels: 83-37-79-99 y 49 Sin costo: 01-800-872-79-99
Fax: 01-800-872-16-11 Sin costo: 01-800-87-16-10
www.denek.com e-mail: ventas@denek.com

MAYTAG SECADORA INDUSTRIAL MOD. DG33CA

VISTA POSTERIOR

NUMERO	N. DE PARTE	DESCRIPCION
1	Y052749	HEX. NUT, 3/8 INCH
2	330066	LEVELING LEG
3	Y330080	SPIDER AND SHAFT ASY.
4	Y330087	DRUM ASSEMBLY COMPLETE
5	Y330202	RECIRCULATION TEE ASSEMBLY
6	Y330300	SAFETY THERMOSTAT
7	331026	SCREW-SWITCH PLATE TO VAULT
8	331029	CLIP
9	331032	SCREW - CENTER PANEL
10	331035	WIRE NUT - 6 USED
11	331048	COVER FOR BLOWER IMPELLER
12	331053	DAMPER
13	331054	GREASE FITTING - PULLEY PIN
14	331070	HINGE PIN FOR DAMPER
15	331076	GAS SUPPLY LINE-28 1/2 INCH
16	331078	DRUM ROD
17	331087	SHIELD FOR MOTOR
18	331104	SUPPORT FOR REAR COVER-LEFT
19	331105	RIB, TUMBLER (ONLY)
20	331161	BACK GUARD
21	331182	RECIRCULATION BOOT
22	911852	WASHER, LOCK (BRACE)

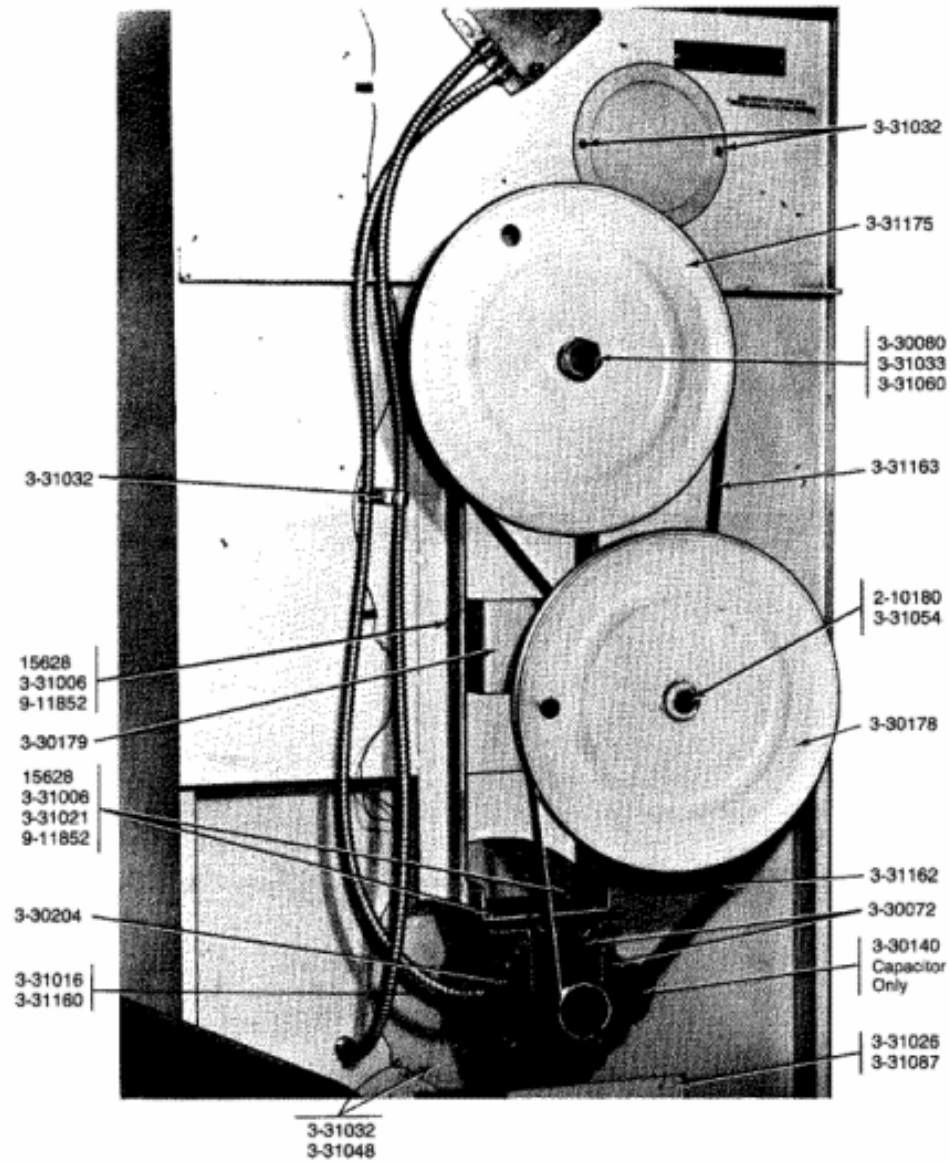


Denek

Benito Juárez 1500 Fracc. Zitoón, Guadalupe N.L.
Tels: 83-37-79-99 y 49 Sin costo: 01-800-872-79-99
Fax: 01-800-872-16-11 Sin costo: 01-800-87-16-10
www.denek.com e-mail: ventas@denek.com

MAYTAG SECADORA INDUSTRIAL MOD. DG33CA

VISTA POSTERIOR (CUBIERTA REMOVIDA)





Denek

Benito Juárez 1500 Fracc. Zitoón, Guadalupe N.L.
Tels: 83-37-79-99 y 49 Sin costo: 01-800-872-79-99
Fax: 01-800-872-16-11 Sin costo: 01-800-87-16-10
www.denek.com e-mail: ventas@denek.com

MAYTAG SECADORA INDUSTRIAL MOD. DG33CA

VISTA POSTERIOR (CUBIERTA REMOVIDA)

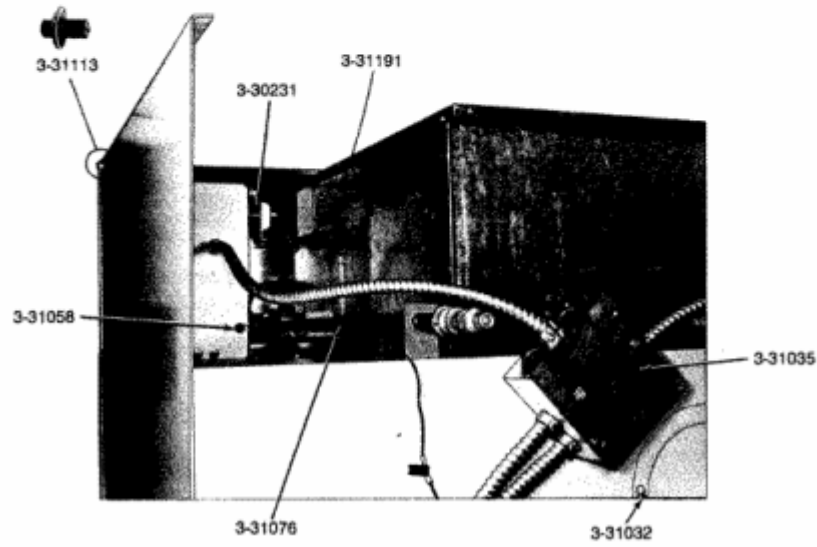
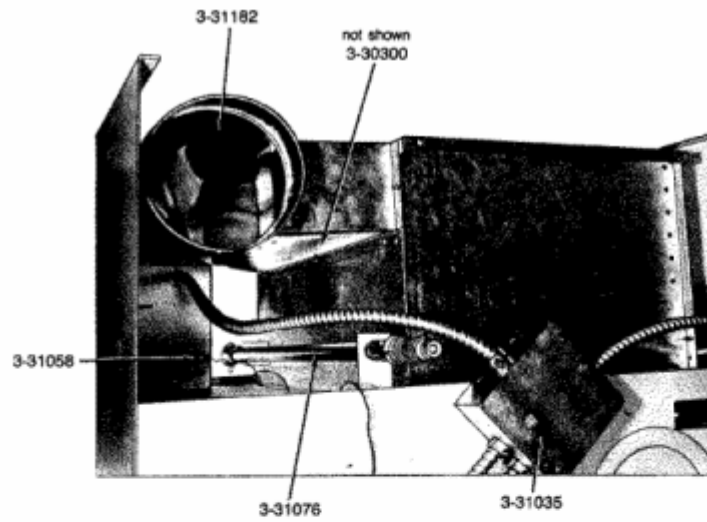
NUMERO	N. DE PARTE	DESCRIPCION
1	15628	BOLT, 5/16 X 3/4 HEX
2	210180	RETAINING RING
3	Y330072	MOTOR COMPLETE
4	Y330080	SPIDER AND SHAFT ASY.
5	330140	CAPICATOR
6	Y330178	REDUCTION PULLEY
7	Y330179	BRACKET AND PIN
8	330204	INTERNAL MOTOR SWITCH
9	331006	NUT-DRUM SUPPORT BOLT, 5/16
10	331016	SET SCREW FOR MOTOR PULLEY
11	331021	WASHER - MOTOR SUPPORT BOLT
12	331026	SCREW-SWITCH PLATE TO VAULT
13	331032	SCREW - CENTER PANEL
14	331033	HEX NUT-DRUM PULLEY SHAFT
15	331048	COVER FOR BLOWER IMPELLER
16	331054	GREASE FITTING - PULLEY PIN
17	331060	KEY FOR DRUM
18	331087	SHIELD FOR MOTOR
19	331160	MOTOR PULLEY
20	331162	V BELT - DRIVE
21	331163	V BELT - REDUCTION
22	331175	DRUM PULLEY
23	911852	WASHER, LOCK (BRACE)



Denek

Benito Juárez 1500 Fracc. Zitoón, Guadalupe N.L.
Tels: 83-37-79-99 y 49 Sin costo: 01-800-872-79-99
Fax: 01-800-872-16-11 Sin costo: 01-800-87-16-10
www.denek.com e-mail: ventas@denek.com

MAYTAG SECADORA INDUSTRIAL MOD. DG33CA
COMPONENTES DE RECIRCULACION





Denek

Benito Juárez 1500 Fracc. Zitoón, Guadalupe N.L.
Tels: 83-37-79-99 y 49 Sin costo: 01-800-872-79-99
Fax: 01-800-872-16-11 Sin costo: 01-800-87-16-10
www.denek.com e-mail: ventas@denek.com

MAYTAG SECADORA INDUSTRIAL MOD. DG33CA

COMPONENTES DE RECIRCULACION

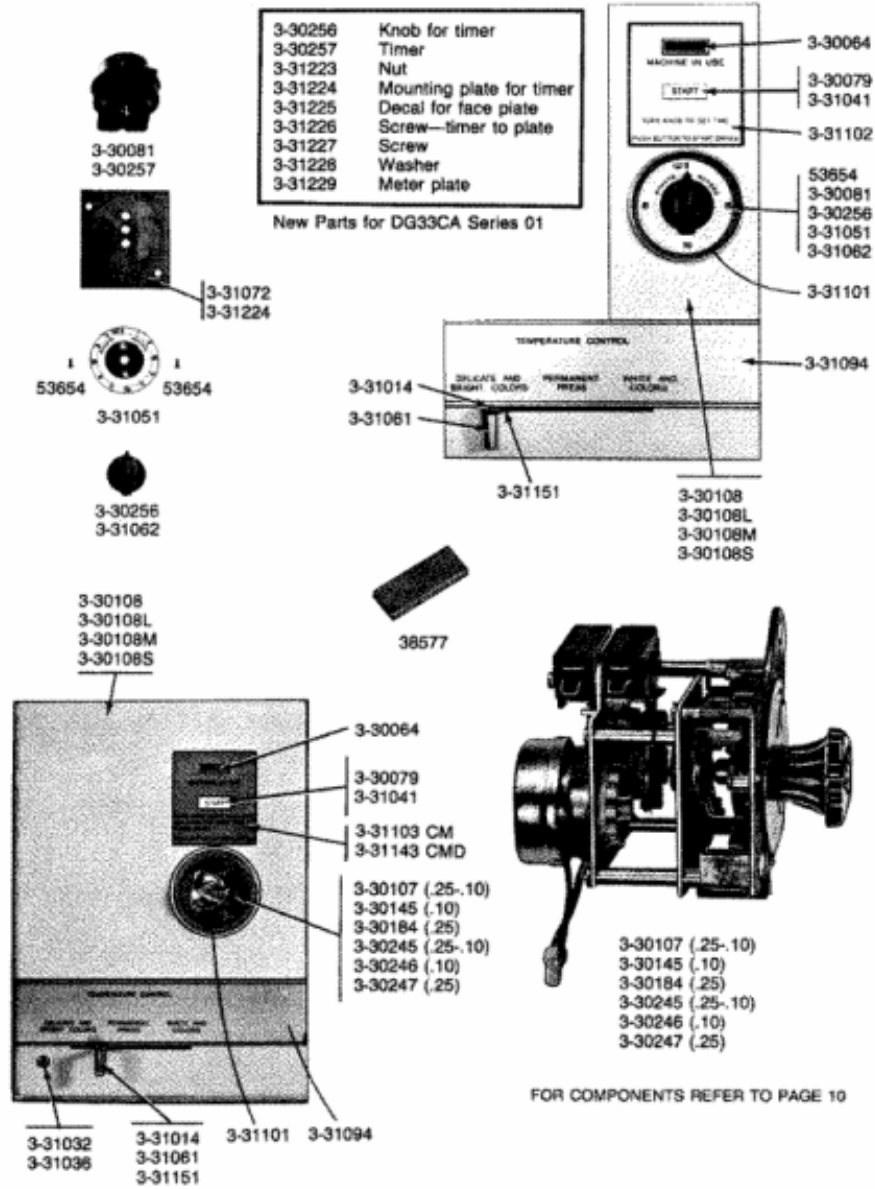
NUMERO	N. DE PARTE	DESCRIPCION
1	Y330231	TRANSFORMER
2	Y330300	SAFETY THERMOSTAT
3	331032	SCREW - CENTER PANEL
4	331035	WIRE NUT - 6 USED
5	331058	GROMMET-TEMP. CONTROL TUBIN
6	331076	GAS SUPPLY LINE-28 1/2 INCH
7	331113	HINGE RIVET
8	331182	RECIRCULATION BOOT
9	331191	DECAL-LIGHTING & CLEARANCE



Denek

Benito Juárez 1500 Fracc. Zitoón, Guadalupe N.L.
 Tels: 83-37-79-99 y 49 Sin costo: 01-800-872-79-99
 Fax: 01-800-872-16-11 Sin costo: 01-800-87-16-10
www.denek.com e-mail: ventas@denek.com

MAYTAG SECADORA INDUSTRIAL MOD. DG33CA
 TIMER



FOR COMPONENTS REFER TO PAGE 10



Denek

Benito Juárez 1500 Fracc. Zitoón, Guadalupe N.L.
Tels: 83-37-79-99 y 49 Sin costo: 01-800-872-79-99
Fax: 01-800-872-16-11 Sin costo: 01-800-87-16-10
www.denek.com e-mail: ventas@denek.com

MAYTAG SECADORA INDUSTRIAL MOD. DG33CA

TIMER

NUMERO	N. DE PARTE	DESCRIPCION
1	38577	TOOL TO ADJUST TIMING SWITC
2	53654	SCREW, No.5-40 X 3/8
3	Y330064	PILOT LIGHT
4	Y330079	SWITCH, PUSH-TO-START
5	330081	TIMER - CA 60 MINUTES
7	330108	FRONT PANEL-WHITE
10	Y330145	CONTA ACCUMULATOR ASSEMBLY
11	330184	TIMER ACCUMULATOR-25
12	330245	TIMER ACCUMULATOR - .25-.10
13	330246	TIMER ACCUMULATOR - .10
14	330247	TIMER ACCUMULATOR - .25
15	Y330256	KNOB FOR TIMER
16	Y330257	TIMER
17	331014	SCREW - TEMP. KNOB TO LEVER
18	331032	SCREW - CENTER PANEL
19	331036	WASHER-FRONT PANEL SCREWS
20	331041	BUTTON-PUSH-TO-START SWITCH
21	331051	TIMER DIAL - CA 60 MINUTES
22	331061	KNOB FOR TEMPERATURE CONTRO
23	331062	KNOB FOR TIMER
24	331072	MOUNTING PLATE FOR TIMER
25	331094	TRIM BAR FOR UPPER PANEL
26	331101	BEZEL FOR TIMER-ACCUMULATOR
27	331102	INSTRUCTION PLATE - CA
28	331151	LEVER-TEMPERATURE CONTROL
29	331223	NUT
30	331224	MOUNTING PLATE FOR TIMER
31	331225	DECAL FOR FACE PLATE
32	331226	SCREW
33	331227	SCREW
34	331228	WASHER
35	331229	METER PLATE

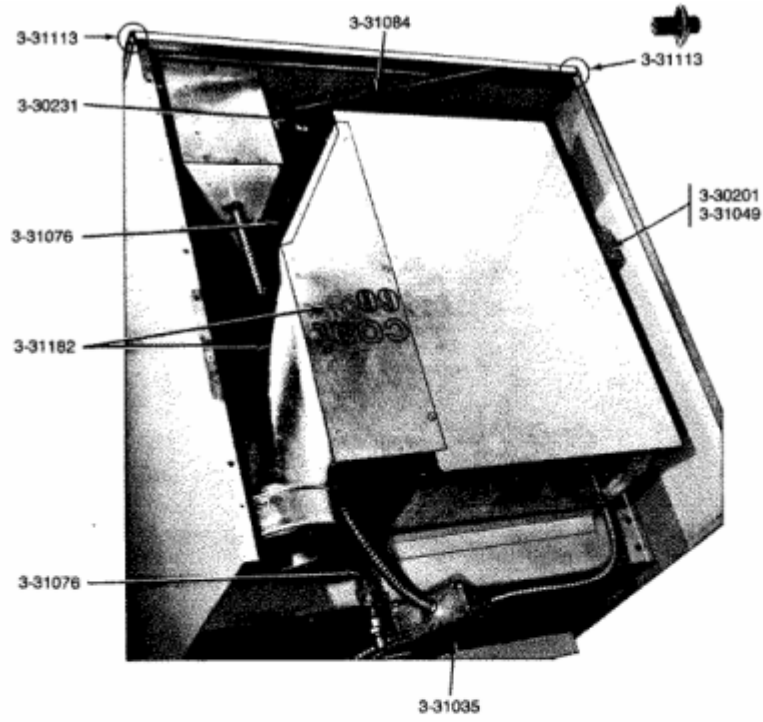


Denek

Benito Juárez 1500 Fracc. Zitoón, Guadalupe N.L.
Tels: 83-37-79-99 y 49 Sin costo: 01-800-872-79-99
Fax: 01-800-872-16-11 Sin costo: 01-800-87-16-10
www.denek.com e-mail: ventas@denek.com

MAYTAG SECADORA INDUSTRIAL MOD. DG33CA

VISTA DE LA TAPA



3-31182



3-30202



Denek

Benito Juárez 1500 Fracc. Zitoón, Guadalupe N.L.
Tels: 83-37-79-99 y 49 Sin costo: 01-800-872-79-99
Fax: 01-800-872-16-11 Sin costo: 01-800-87-16-10
www.denek.com e-mail: ventas@denek.com

MAYTAG SECADORA INDUSTRIAL MOD. DG33CA

VISTA DE LA TAPA

NUMERO	N. DE PARTE	DESCRIPCION
1	Y330201	HIGH LIMIT THERMOSTAT
2	Y330202	RECIRCULATION TEE ASSEMBLY
3	330203	BAFFLE ASSEMBLY
4	Y330231	TRANSFORMER
5	331035	WIRE NUT - 6 USED
6	331049	VENTILATED COVER - HI-LIMIT
7	331076	GAS SUPPLY LINE-28 1/2 INCH
8	331084	SUPPORT ROD FOR UPPER DOOR
9	331113	HINGE RIVET
10	331182	RECIRCULATION BOOT