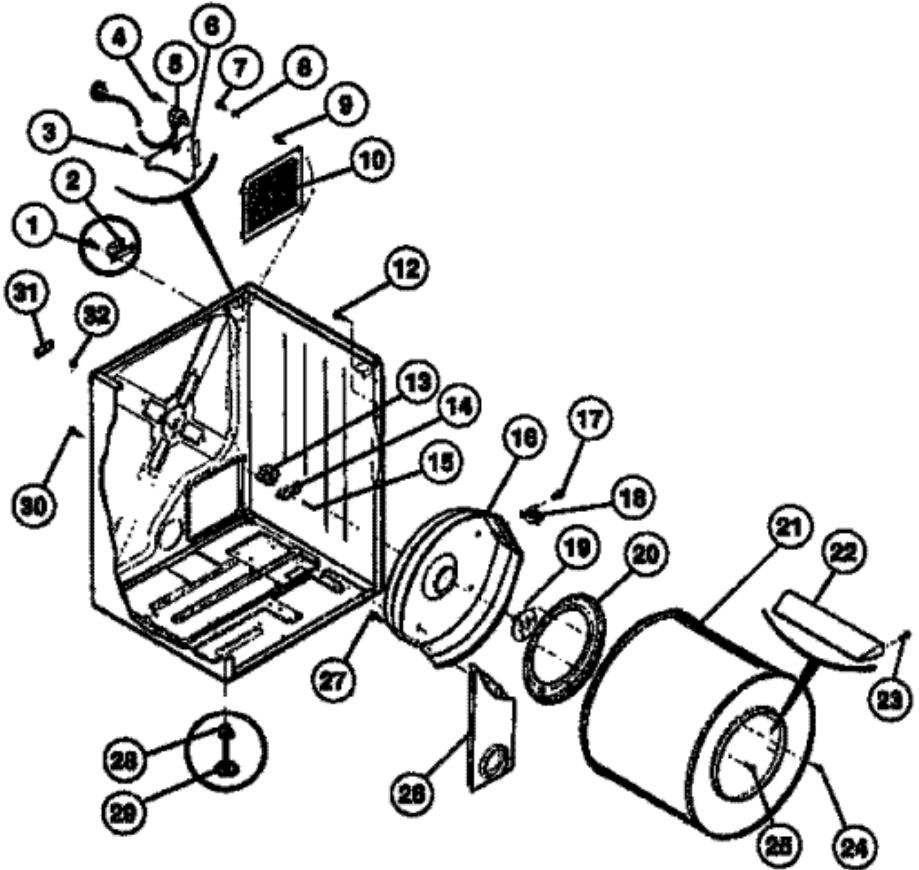


Distribuidor Autorizado

SurteRápido.com

Venta de Refacciones
Electrodomesticas

DG400AXD2 TAMBOR





DG400AXD2 TAMBOR

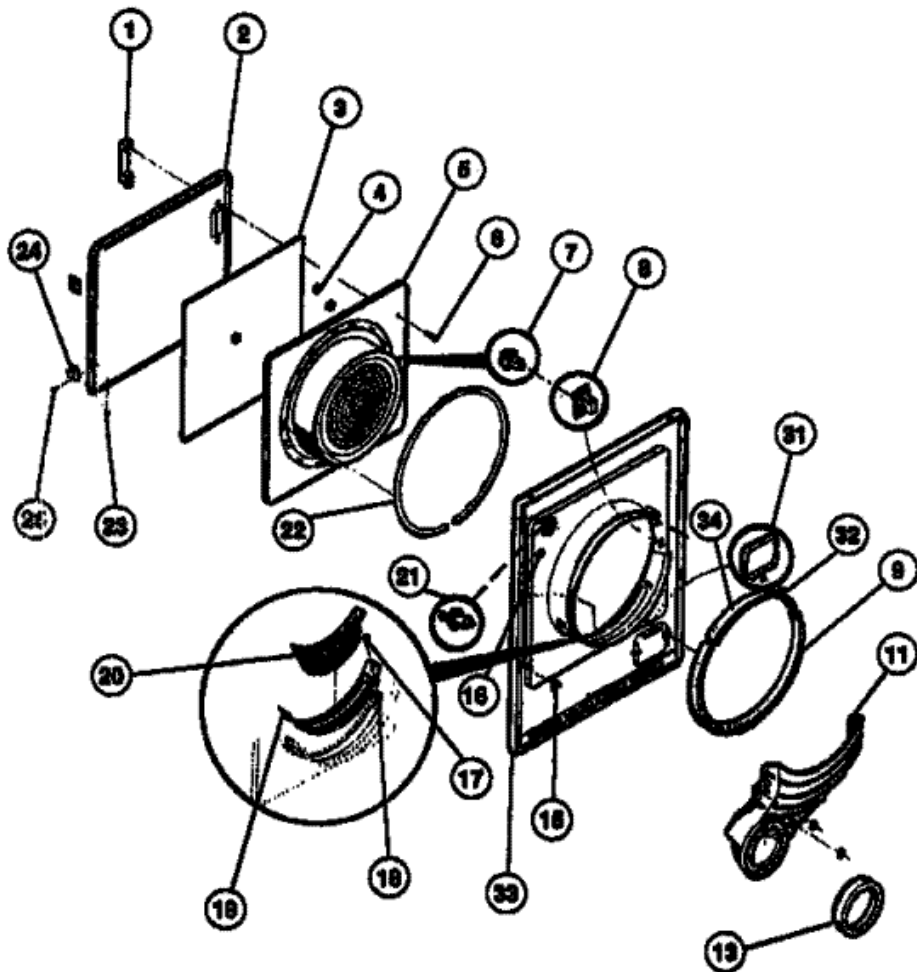
1	8011338	SCREW (4) (S/P)
2	3281175	HINGE (2) (S/P)
3	5303015671	SCREW (2) (S/P)
4	5308015309	SCREW (S/P)
5	134501200	CORD-SERVICE (S/P)
6	131363200	COVER (S/P)
7	3281106	SCREW (S/P)
8	3281107	WASHER (S/P)
9	5303281035	SCREW (S/P)
10	131793201	PLATE-COVER (S/P)
12	5303010202	SCREW (4) (S/P)
13	131825900	BEARING (PART OF REAR BEARING KIT.)
14	131724300	BRACKET-BEARING (S/P)
15	5303281033	SCREW (PART OF REAR BEARING KIT.) (S/P)
16	131776500	HEATER HSG & SEAL ASSEMBLY (S/P)
17	3281120	DESCONTINUADO
18	5308015399	THERMOSTAT-SAFETY
19	5303931781	SHAFT (PART OF REAR BEARING KIT.) (S/P)
20	3204254	BAFFLE (S/P)
21	3201199	DRUM (S/P)
22	5303201200	VANE
23	3202754	SCREW (6) (S/P)
24	5303207393	SCREW (3) (S/P)
25	5303205255	SCREW (3) (PART OF REAR BEARING KIT.) (S/P)
26	3281123	DUCT HEAT (S/P)
27	5303281035	SCREW (S/P)
28	3201202	GROMMET (4)
29	5303281032	BOLT-FOOT (4)
30	5303010202	SCREW (S/P)
31	5303281020	NUT-FLAT (PART OF REAR BEARING KIT.) (S/P)
32	5303281019	BALL (PART OF REAR BEARING KIT.) (S/P)
*78682	5303281153	REAR BEARING KIT (PART OF REAR BEARING KIT.)
*78682	5303281039	CLIP-CAB. FRONT-BTM (S/P)

Distribuidor Autorizado

SurteRápido.com

Venta de Refacciones
Electrodomesticas

DG400XD2 PUERTA





DG400AXD2 PUERTA

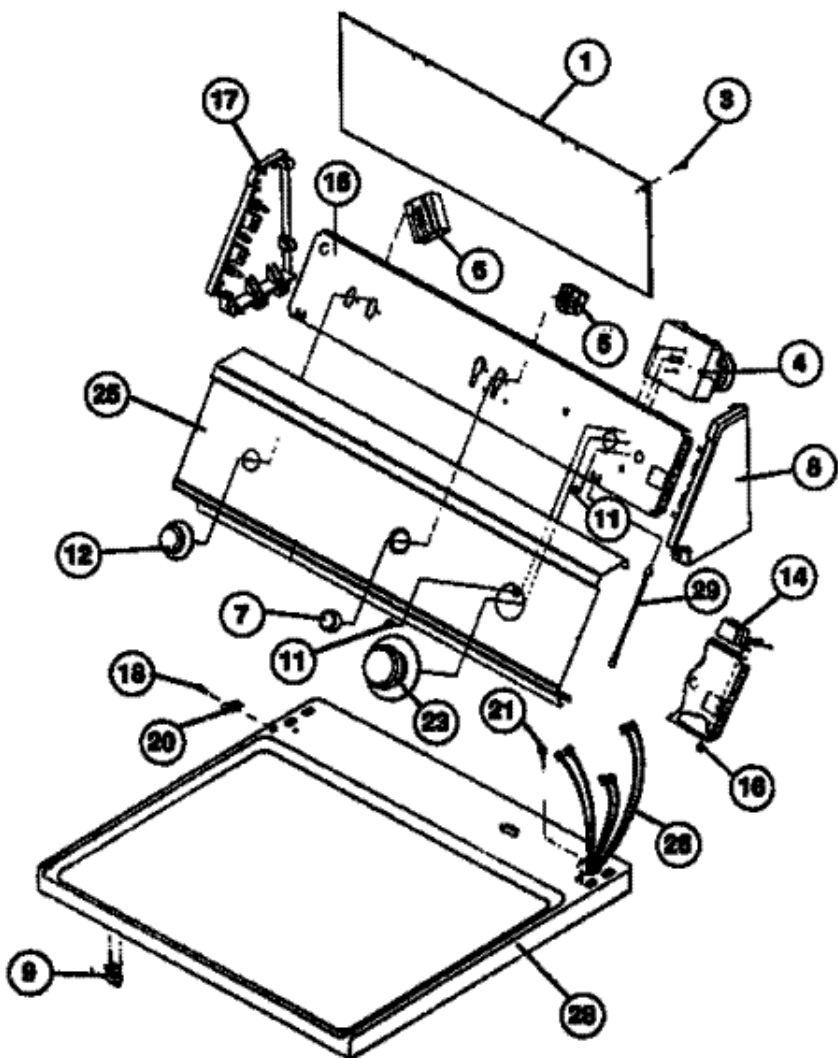
1	5303288839	HANDLE
2	5303937147	PANEL-OD ALMD (S/P)
3	5303281067	SHIELD-HEAT (S/P)
4	3201205	SPACER (S/P)
5	5303318707	PANEL-ID ALMD (S/P)
6	5303281051	SCREW (S/P)
7	5303207102	STRIKE-DOOR (S/P)
8	131658800	CATCH-DOOR (S/P)
9	5303281049	SEAL
11	5303937116	DUCT-AIR (S/P)
13	134417000	SEAL (S/P)
15	5303281074	CLIP-GUIDE (4)
16	3281045	CLIP (S/P)
17	3281178	SCREW (S/P)
18	3281061	CLIP (S/P)
19	131390300	FRAME-LINT TRAP
20	131390300	TRAP-LINT
21	5308001614	DESCONTINUADO
22	5303201210	GASKET-DOOR (S/P)
23	5303161187	SCREW (2) (S/P)
24	5303281050	HINGE-DOOR (2) (S/P)
25	5303161187	SCREW (8) (S/P)
31	3201213	DESCONTINUADO
32	3281066	SCREW (S/P)
33	5303937122	DESCONTINUADO
34	5303937139	DRUM-GLIDE (S/P)

Distribuidor Autorizado

SurteRápido.com

Venta de Refacciones
Electrodomesticas

DG400AXD2 TABLERO





DG400AXD2 TABLERO

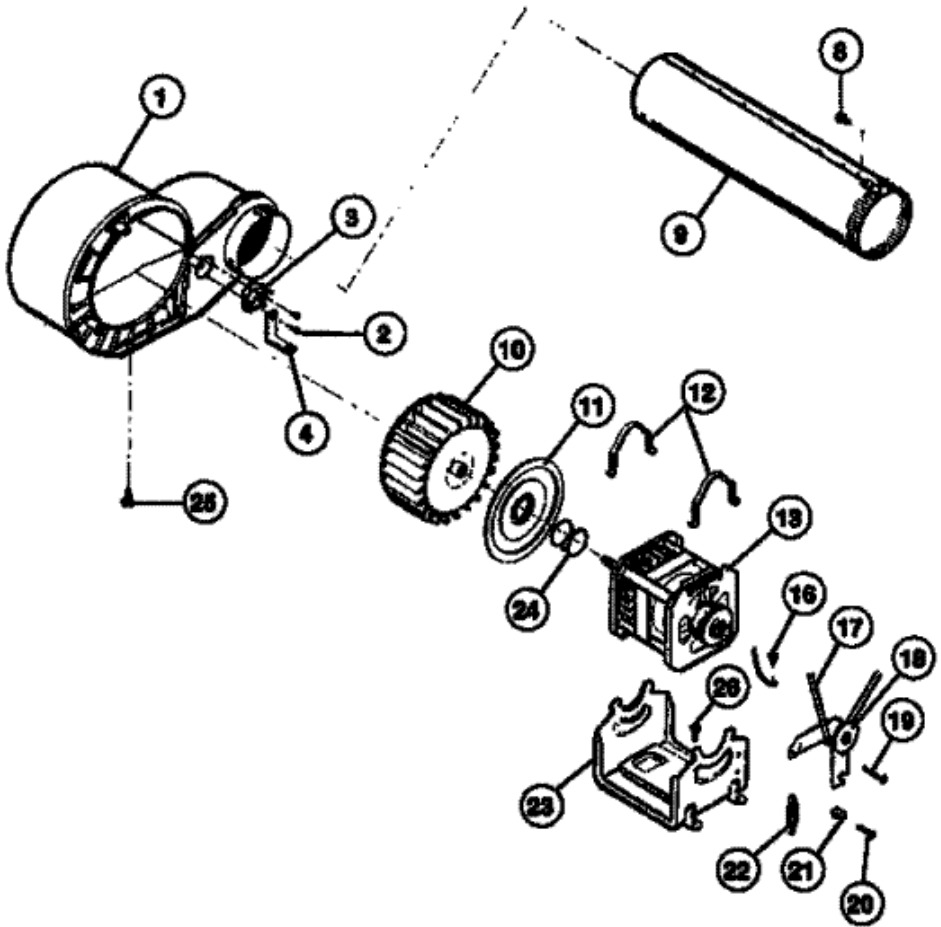
1	3205898	COVER-BACK (S/P)
3	131052100	SCREW (S/P)
4	131062800	TIMER
5	131048000	SWITCH-START
7	131032900	PUSHBUTTON (S/P)
8	5303291352	END CAP-RH
9	3205821	SPRING CATCH (2) (S/P)
11	5303283289	SCREW (S/P)
15	131728900	BRACKET-CONTROLS (S/P)
17	5303291344	END CAP-LH
18	5303289526	DESCONTINUADO
20	5300503065	CLIP (S/P)
21	8001689	SCREW (S/P)
23	131873200	KNOB-TIMER (S/P)
25	131224300	DESCONTINUADO
26	131159400	DESCONTINUADO
28	5303931763	PANEL-TOP ALMD (S/P)
29	131062202	WIRE-GROUND (S/P)

Distribuidor Autorizado

SurteRápido.com

Venta de Refacciones
Electrodomesticas

DG400AXD2 MOTOR





DG400AXD2 MOTOR

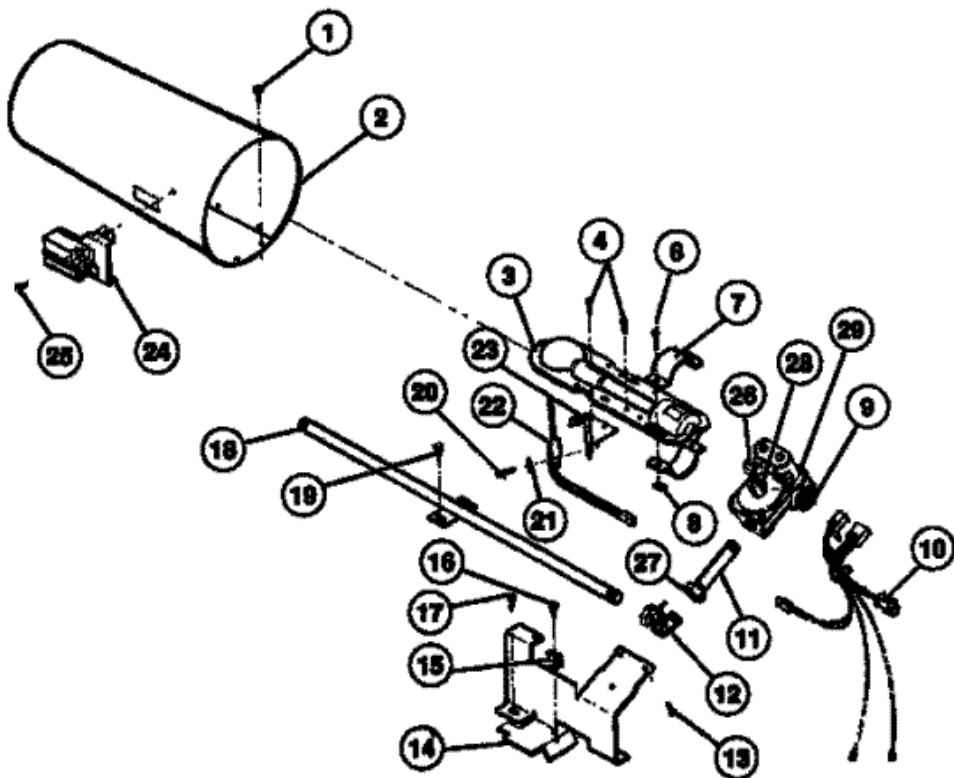
1	5303270858	HOUSING-FAN (S/P)
2	3261048	SCREW (S/P)
3	131298400	THERMOSTAT-CONTROL
4	5303269972	BRACKET-GROUNDING (S/P)
8	5303015671	SCREW (S/P)
9	5303269973	DUCT-EXHAUST (S/P)
10	5303281079	WHEEL-BLOWER
11	5303307784	COVER-FAN (S/P)
12	5303212834	CLAMP-MOTOR
13	5303283470	MOTOR & PULLEY
16	3281120	DESCONTINUADO
17	134503600	BELT
18	5303212849	IDLER ASSEMBLY
19	3261230	SCREW-STOP (S/P)
20	131017900	SCREW (S/P)
21	5303281076	SPACER (S/P)
22	5303281085	SPRING-IDLER
23	131367101	CRADLE-MOTOR (S/P)
24	5303281083	SPRING
25	3281036	DESCONTINUADO
26	3281077	SCREW (S/P)

Distribuidor Autorizado

SurteRápido.com

Venta de Refacciones
Electrodomesticas

DG400AXD2 QUEMADOR





DG400AXD2 QUEMADOR

1	5303010202	SCREW (2) (S/P)
2	3201240	TUBE ASSY BURNER (S/P)
3	5303281136	BURNER ASSEMBLY
4	5303281132	SCREW (4) (S/P)
6	3205701	SCREW (S/P)
7	5303281138	AIR SHUTTER (2) (S/P)
8	5303281148	NUT (2) (S/P)
9	5303281147	VALVE
10	131827100	HARNESS (S/P)
11	5303212837	CONNECTION-UNION MALE (S/P)
12	131498500	VALVE-ANGLE (S/P)
13	5303281132	SCREW (3) (S/P)
14	5303281145	BRACKET (S/P)
15	3281126	CLIP (S/P)
16	5303010202	SCREW (2) (S/P)
17	3281134	DESCONTINUADO
18	8015271	PIPE (S/P)
19	5303010202	SCREW (2) (S/P)
20	5303281150	SCREW (S/P)
21	5300809968	WASHER (S/P)
22	5303937186	IGNITOR (S/P)
23	5303281149	BRACKET-IGNITOR (S/P)
24	5303281135	SENSOR (S/P)
25	5303281035	SCREW (S/P)
26	8015677	ORIFICE (NATURAL GAS) (S/P)
27	8015194	NUT-HEX UNION (S/P)
28	5303931775	COIL-SECONDARY
29	5303931775	COIL-BOOSTER
26A	5300171852	LP GAS KIT