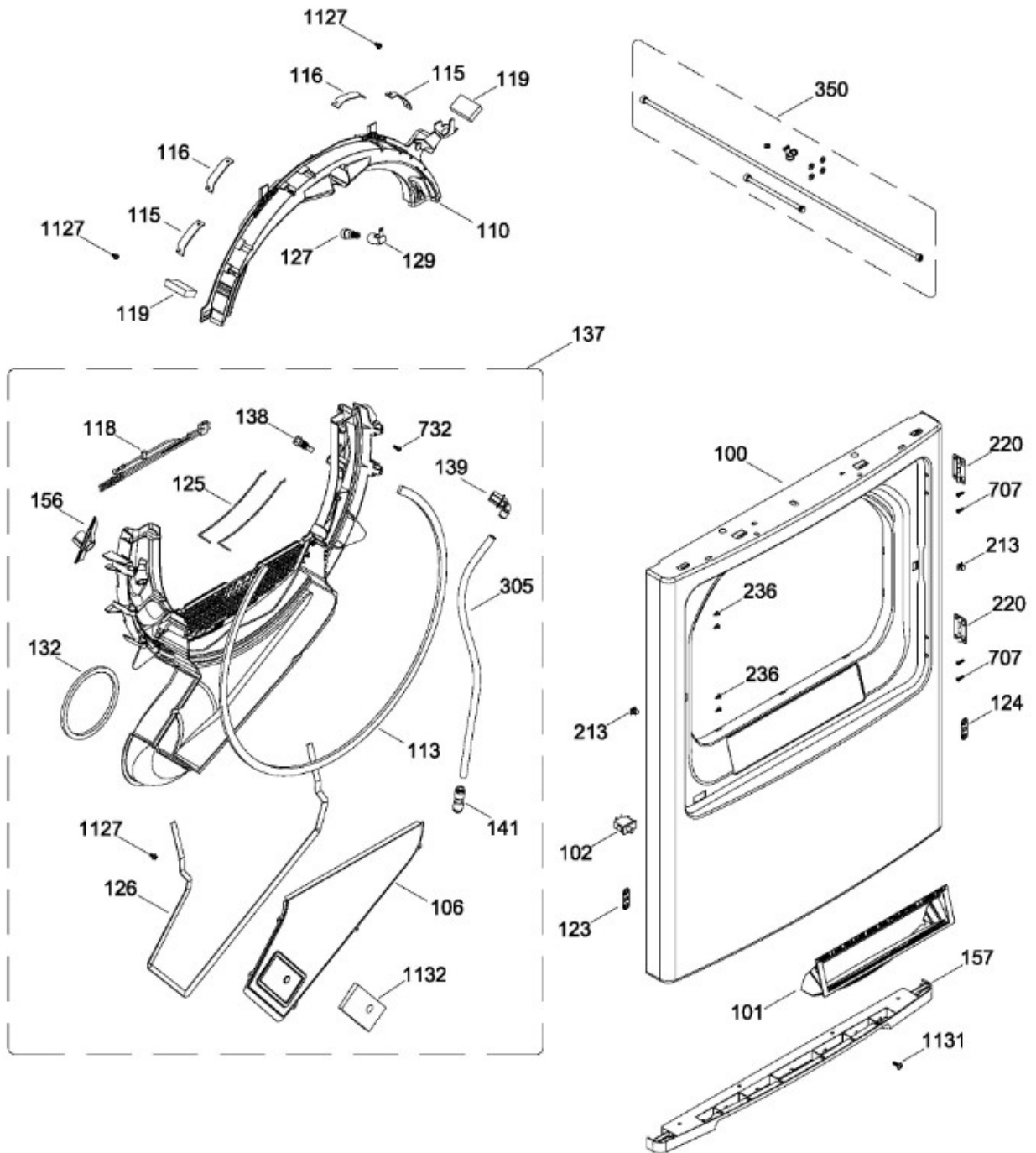
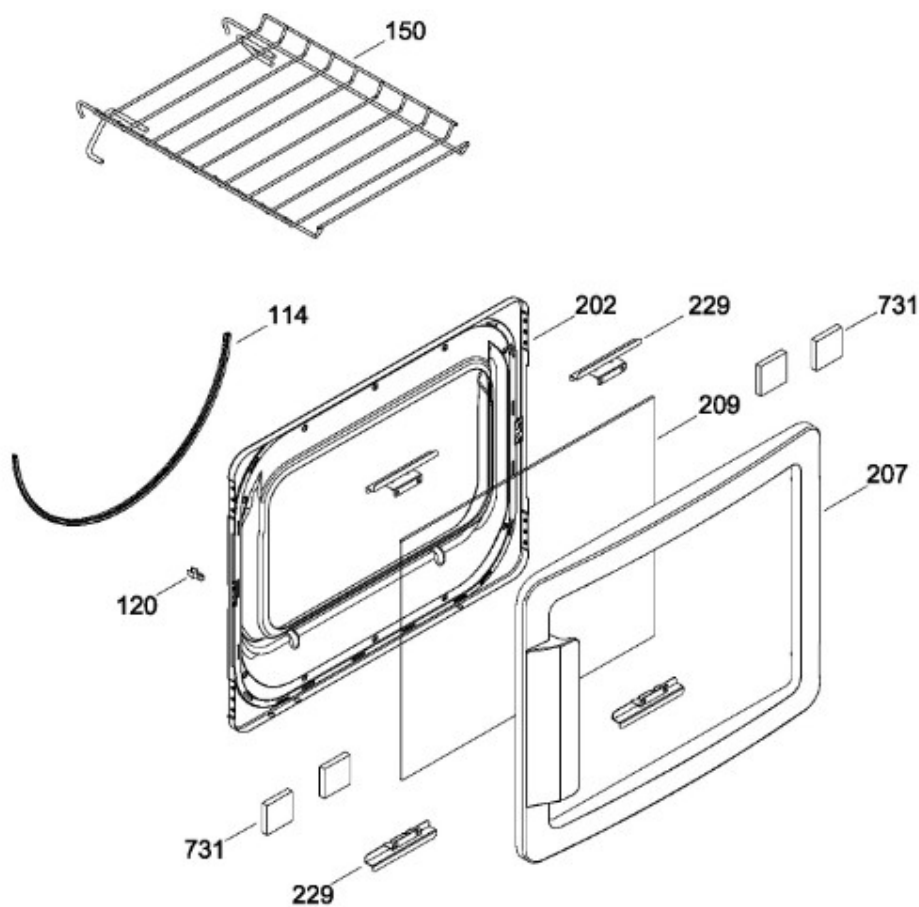


PANEL FRONTAL (ENS) / FRONT PANEL (ASM)

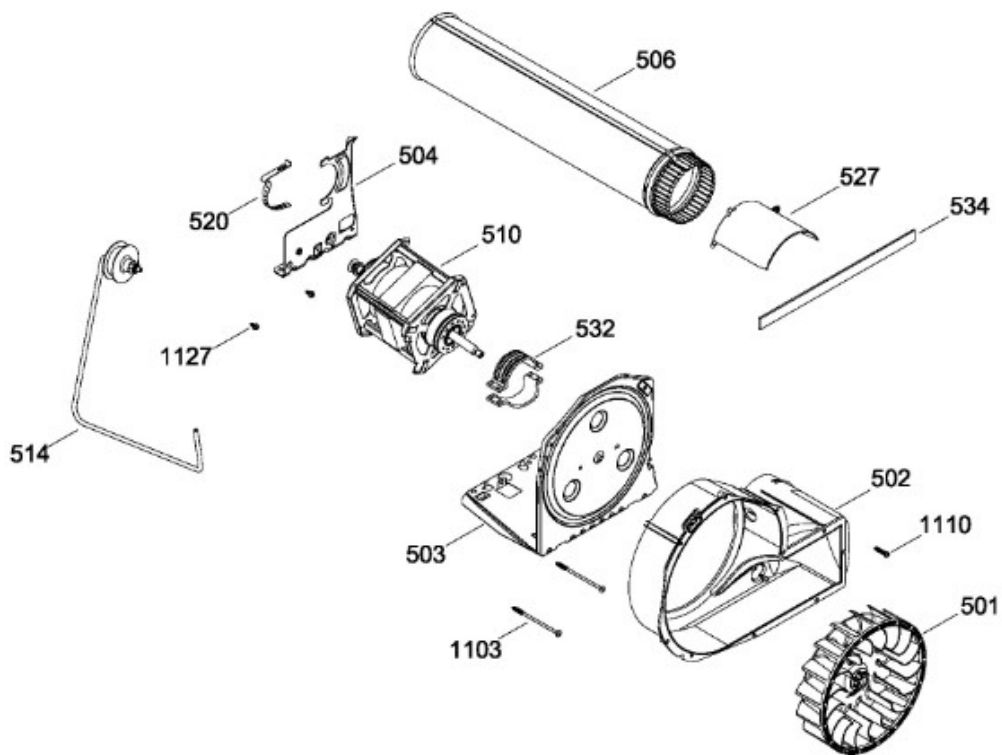
DG7027P2US0



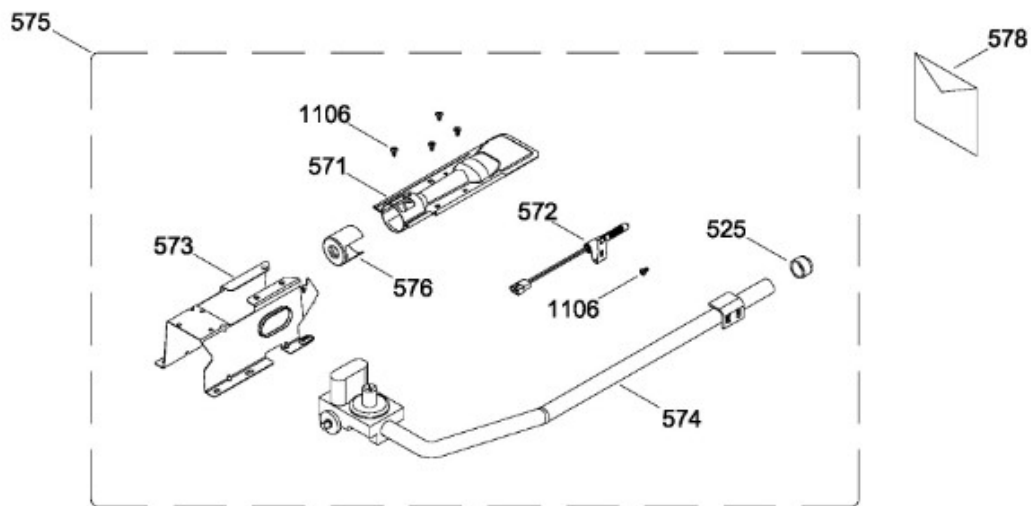


SISTEMA DE TRANSMISION (ENS) / BLOWER & DRIVE (ASM)

DG7027P2US0

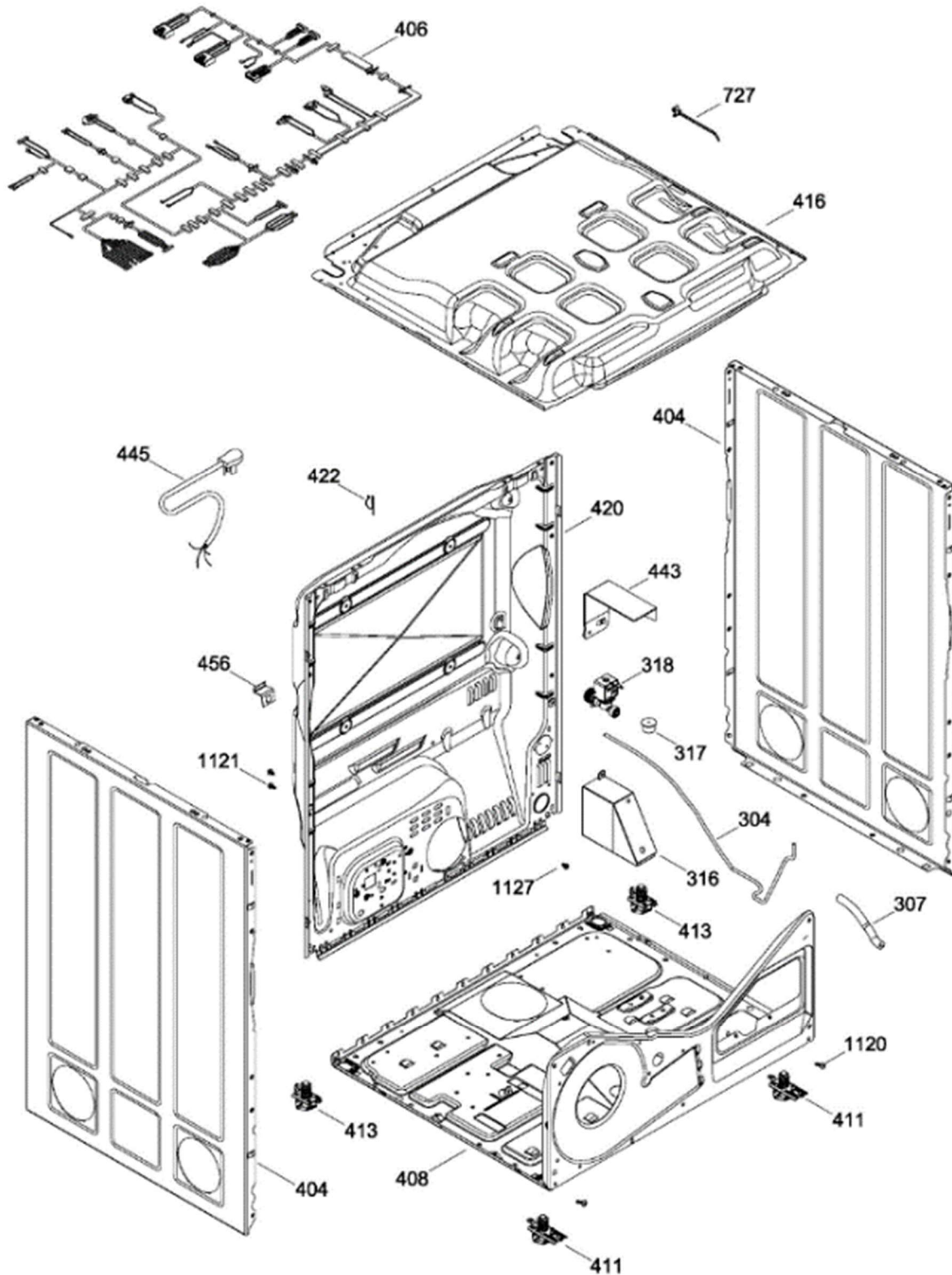


QUEMADOR / BURNER



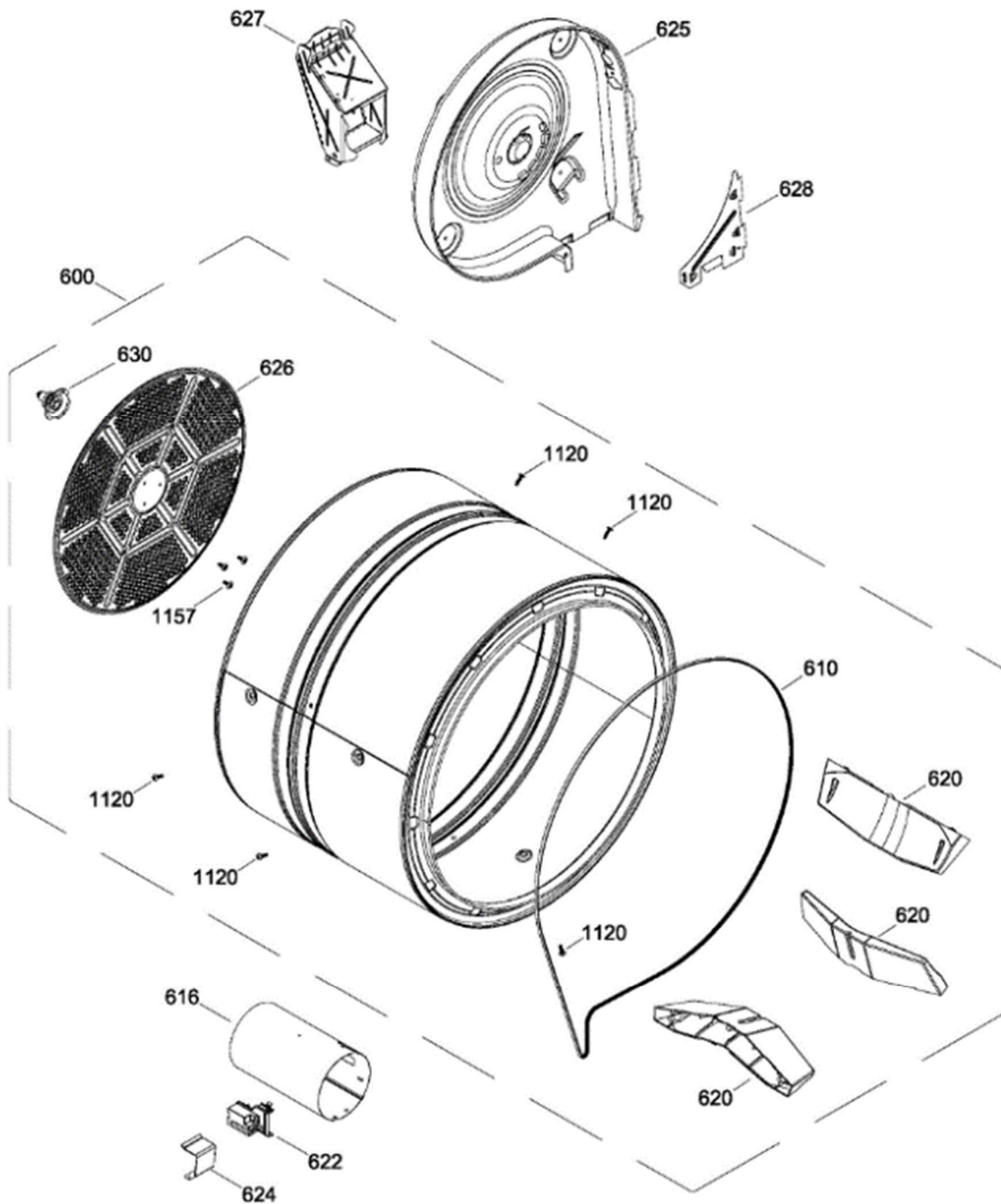
GABINETE / STRUCTURE

DG7027P2US0



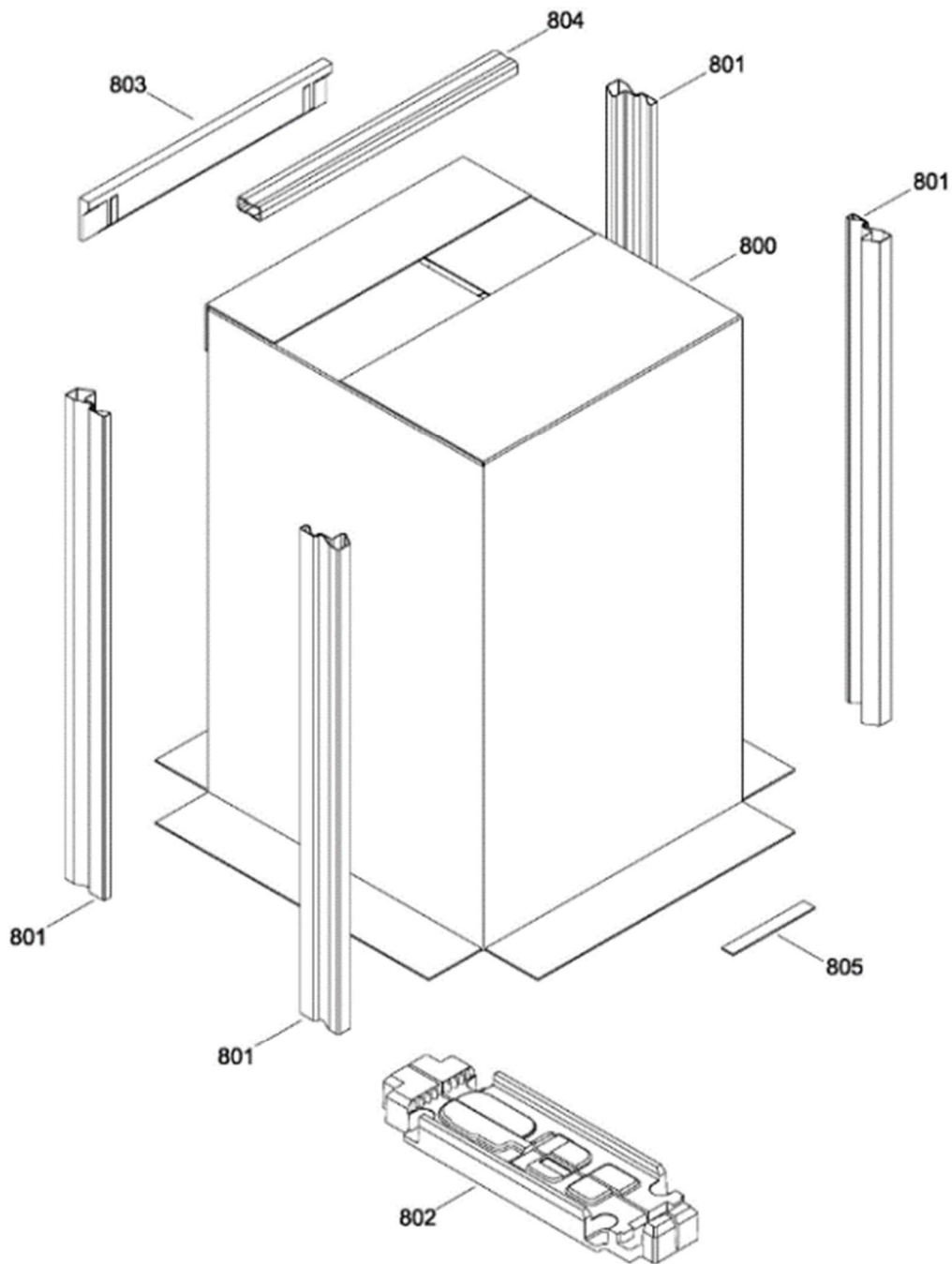
TAMBOR (ENS) / DRUM (ASM)

DG7027P2US0



EMPAQUE (ENS) / PACKAGE (ASM)

DG7027P1US2DG7027P2US0



| Guía | Refacción | Descripción |
|------|---------------|---------------------------|
| 26 | WW03F00187 | ARNES PUENTE |
| 31 | WW03F00188 | TARJETA CONTROL |
| 31 | WW01F01932 | TARJETA CONTROL |
| 40 | WW02L00567 | ENSAMBLE COPETE |
| 62 | WW03L00105 | TAPA BASE TARJETA |
| 63 | WW03L00106 | TAPA PROTECTOR TARJETA |
| 100 | 234D1643P004P | PANEL FRONTAL (BCO) |
| 101 | WW02F00616 | FILTRO Y MALLA |
| 102 | WW02L00025 | INTERRUPTOR PUERTA |
| 106 | WW02L00061 | CUBIERTA COLECTOR AIRE |
| 110 | WW02L00517 | COJINETE SUPERIOR |
| 113 | WW01L01329 | FELPA COLECTOR DE AIRE |
| 113 | WW02F00783 | FELPA COLECTOR DE AIRE |
| 113 | WW02F00783 | FELPA DUCTO RECOLECTOR |
| 114 | WW02L00145 | SELLO PUERTA |
| 115 | WW03A00015 | COJINETE DESLIZABLE |
| 116 | WW03A00016 | COJINETE DESLIZABLE |
| 116 | WW02A00250 | COJINETE DESLIZABLE |
| 118 | WW02F00094 | ARNES SENS.OR |
| 119 | WW02F00131 | FIELTRO |
| 119 | WW02F00784 | FIELTRO |
| 120 | WW02A00004 | STRIKE |
| 123 | WW02A00056 | STRIKE PLATE |
| 124 | WW02A00057 | STRIKE PLATE |
| 125 | WW02F00088 | SENSOR ROD |
| 126 | WW02L00040 | GASKET FOAM |
| 127 | WW02A00067 | LAMP |
| 127 | WW03F00458 | LAMP |
| 129 | WW02L00104 | ENS. CLAVIJA |
| 129 | WW01F01584 | ENS. CLAVIJA |
| 132 | WW03F00354 | SELLO |
| 137 | WW03L00107 | DUCTO TRAMPA CON SENSORES |
| 137 | WW02F00594 | DUCTO TRAMPA CON SENSORES |
| 138 | WW02A00092 | BOQUILLA |
| 139 | WW02F00121 | CODO |
| 141 | WW01F01458 | CONECTOR DE SERVICIO |
| 150 | WW02L00190 | PARRILLA PARA ZAPATOS |
| 156 | WW03A00091 | SOPORTE BOQUILLA |

| Guía | Refacción | Descripción |
|------|------------|-------------------------------|
| 157 | WW03L00143 | REMATE PANEL FRONTAL |
| 202 | WW02L00052 | PUERTA INTERIOR(BLANCA) |
| 202 | WW02L00052 | PUERTA INTERIOR(BLANCA) |
| 207 | WW03L00144 | MARCO PUERTA |
| 209 | WW03L00145 | VIDRIO PUERTA TEMPLADO |
| 213 | WW02L00037 | LATCH ASM. |
| 220 | WW02L00028 | BISAGRA PUERTA |
| 229 | WW02L00101 | SOPORTE VIDRIO |
| 229 | WW02L00101 | SOPORTE VIDRIO |
| 236 | WW02A00065 | BOTON BELLEZA |
| 304 | WW03F00176 | TUBO |
| 305 | WW03F00132 | TUBO FRONTAL |
| 307 | WW03F00133 | AISLANTE |
| 316 | WW03L00146 | CUBIERTA VALVULA DE AGUA |
| 317 | WW03F00134 | TAPON VALVULA DE AGUA |
| 318 | WW03F00135 | VALVULA DE AGUA ENS |
| 318 | WW02F00182 | VALVULA DE AGUA ENS |
| 350 | WW02A00088 | KIT MANGUERAS EXTERNAS |
| 401 | WW02L00222 | TAPA SECADORA ENSAMBLE |
| 404 | WW02L00149 | PANEL LATERAL |
| 404 | WW02L00149 | PANEL LATERAL |
| 406 | WW02F00462 | ARNES GAS ENS |
| 408 | WW02F00076 | BASTIDOR BASE |
| 411 | WW03A00118 | PATA NIVELADORA FRONTAL ENS |
| 413 | WW03A00119 | PATA NIVELADORA POSTERIOR ENS |
| 414 | WW03L00147 | TAPA SECADORA |
| 416 | WW03L00148 | REFLECTOR SUPERIOR |
| 420 | WW03L00095 | PANEL POSTERIOR |
| 422 | WW02F00022 | CORD SET RETAINER |
| 443 | WW03L00111 | CUBIERTA VALVULA DE GAS |
| 445 | WW02F00091 | CABLE TOMACORRIENTE |
| 449 | WW03L00149 | VIDRIO TEMPLADO TAPA |
| 450 | WW03A00121 | SOPORTE TAPA SECADORA |
| 456 | WW02A00037 | BRIDE |
| 501 | WW01F01162 | VENTILADOR REDONDO |
| 502 | WW03L00150 | CAJA VENTILADOR |
| 503 | WW01L01163 | BASE MOTOR |
| 503 | WW01L01163 | BASE MOTOR |

| Guía | Refacción | Descripción |
|------|------------|-------------------------------|
| 157 | WW03L00143 | REMATE PANEL FRONTAL |
| 202 | WW02L00052 | PUERTA INTERIOR(BLANCA) |
| 202 | WW02L00052 | PUERTA INTERIOR(BLANCA) |
| 207 | WW03L00144 | MARCO PUERTA |
| 209 | WW03L00145 | VIDRIO PUERTA TEMPLADO |
| 213 | WW02L00037 | LATCH ASM. |
| 220 | WW02L00028 | BISAGRA PUERTA |
| 229 | WW02L00101 | SOPORTE VIDRIO |
| 229 | WW02L00101 | SOPORTE VIDRIO |
| 236 | WW02A00065 | BOTON BELLEZA |
| 304 | WW03F00176 | TUBO |
| 305 | WW03F00132 | TUBO FRONTAL |
| 307 | WW03F00133 | AISLANTE |
| 316 | WW03L00146 | CUBIERTA VALVULA DE AGUA |
| 317 | WW03F00134 | TAPON VALVULA DE AGUA |
| 318 | WW03F00135 | VALVULA DE AGUA ENS |
| 318 | WW02F00182 | VALVULA DE AGUA ENS |
| 350 | WW02A00088 | KIT MANGUERAS EXTERNAS |
| 401 | WW02L00222 | TAPA SECADORA ENSAMBLE |
| 404 | WW02L00149 | PANEL LATERAL |
| 404 | WW02L00149 | PANEL LATERAL |
| 406 | WW02F00462 | ARNES GAS ENS |
| 408 | WW02F00076 | BASTIDOR BASE |
| 411 | WW03A00118 | PATA NIVELADORA FRONTAL ENS |
| 413 | WW03A00119 | PATA NIVELADORA POSTERIOR ENS |
| 414 | WW03L00147 | TAPA SECADORA |
| 416 | WW03L00148 | REFLECTOR SUPERIOR |
| 420 | WW03L00095 | PANEL POSTERIOR |
| 422 | WW02F00022 | CORD SET RETAINER |
| 443 | WW03L00111 | CUBIERTA VALVULA DE GAS |
| 445 | WW02F00091 | CABLE TOMACORRIENTE |
| 449 | WW03L00149 | VIDRIO TEMPLADO TAPA |
| 450 | WW03A00121 | SOPORTE TAPA SECADORA |
| 456 | WW02A00037 | BRIDE |
| 501 | WW01F01162 | VENTILADOR REDONDO |
| 502 | WW03L00150 | CAJA VENTILADOR |
| 503 | WW01L01163 | BASE MOTOR |
| 503 | WW01L01163 | BASE MOTOR |

| Guía | Refacción | Descripción |
|------|------------|-------------------------------|
| 503 | WW01L01163 | BASE MOTOR |
| 503 | WW02L00642 | BASE MOTOR |
| 504 | WW03A00123 | SOPORTE MOTOR |
| 504 | WW02F00027 | SOPORTE MOTOR |
| 506 | WW01F01581 | DUCTODEESCAPE |
| 506 | WW02L00148 | DUCTODEESCAPE |
| 506 | WW02L00148 | CONDUCTO DE ESCAPE |
| 510 | WW03F00447 | MOTOR POLEA ENSAMBLE |
| 514 | WW02A00008 | ENS. BRAZO AUXILIAR |
| 514 | WW03F00350 | ENS. BRAZO AUXILIAR |
| 520 | WW02F00031 | CLIP MOTOR |
| 525 | WW02A00003 | TAPA |
| 527 | WW03L00112 | CUBIERTA MOTOR |
| 530 | WW02A00019 | SOPORTE Y FLECHA ENSAMBLE |
| 532 | WW02F00003 | CORREA MOTOR |
| 532 | WW02A00232 | CORREA MOTOR |
| 534 | WW02A00026 | EMPAQUE ESCAPE SOPLADOR |
| 534 | WW02F00785 | EMPAQUE ESCAPE SOPLADOR |
| 571 | WW02A00020 | QUEMADORES |
| 572 | WW02F00002 | ALLUME-GAZ |
| 572 | WW02F00740 | ALLUME-GAZ |
| 572 | WW01F01432 | ENCENDEDOR INCANDESCENTE |
| 573 | WW03A00125 | SOPORTE VALVULA DE GAS |
| 574 | WW02A00155 | ENS VALVULA Y TUBERIA GAS NAT |
| 575 | WW03F00190 | VALVULA Y QUEMADOR ENSAMBLE |
| 576 | WW02L00140 | AIRADOR |
| 578 | WW01F01529 | VALVULA Y TUBO PARA GAS LP |
| 600 | WW03L00151 | TAMBOR Y ALETA ENSAMBLE |
| 610 | WW02F00028 | BANDA SECADORA |
| 610 | WW02F00854 | BANDA SECADORA |
| 616 | WW03F00138 | CAMARA DE COMBUSTION |
| 616 | WW02F00825 | CAMARA DE COMBUSTION |
| 620 | WW03L00153 | ALETA |
| 622 | WW02F00001 | DETECTOR TERMOSTATO |
| 624 | WW03L00113 | CUBIERTA DETECTOR DE FLAMA |
| 625 | WW03F00095 | DIFUSOR DE GAS |
| 626 | WW02F00221 | DIFUSOR |
| 626 | WW02F00827 | DIFUSOR |

| Guía | Refacción | Descripción |
|------|------------|--------------------------|
| 627 | WW02F00127 | DUCTO TRANSICION |
| 627 | WW02F00127 | DUCTO TRANSICION |
| 627 | WW03F00539 | DUCTO TRANSICION |
| 628 | WW03F00097 | PLACA DIFUSOR |
| 707 | WW01A00539 | TORNILLO |
| 727 | WW02A00061 | TIE WRAP ARNESS |
| 727 | WW02F00402 | TIE WRAP ARNESS |
| 731 | WW02A00120 | CALZA |
| 732 | WW03A00092 | TORNILLO 6-16 B B1Q1 3/4 |
| 800 | WW03A00107 | CAJA |
| 801 | WW03A00110 | ESQUINERO DELANTERO |
| 802 | WW01A00568 | PATINES |
| 803 | WW01A00569 | REFUERZO |
| 804 | WW01A00570 | TRAVESAÑO |
| 805 | WW01A00571 | BLOQUE DE CORRUGADO |
| 1103 | WW02A00032 | TORNILLO |
| 1106 | WW02A00027 | SCREW |
| 1110 | WW02A00121 | TORNILLO |
| 1120 | WW02A00031 | TORNILLO |
| 1121 | WW01A00001 | TORNILLO |
| 1127 | WW03A00195 | TORNILLO |
| 1127 | WW02A00211 | TORNILLO |
| 1131 | WW02A00028 | TORNILLO |
| 1132 | WW02L00033 | ESPACIADOR ESPUMADO |
| 1157 | WW01A00456 | TORNILLO #10 |
| 1161 | WW03A00124 | TORNILO MAGNET PLATE |