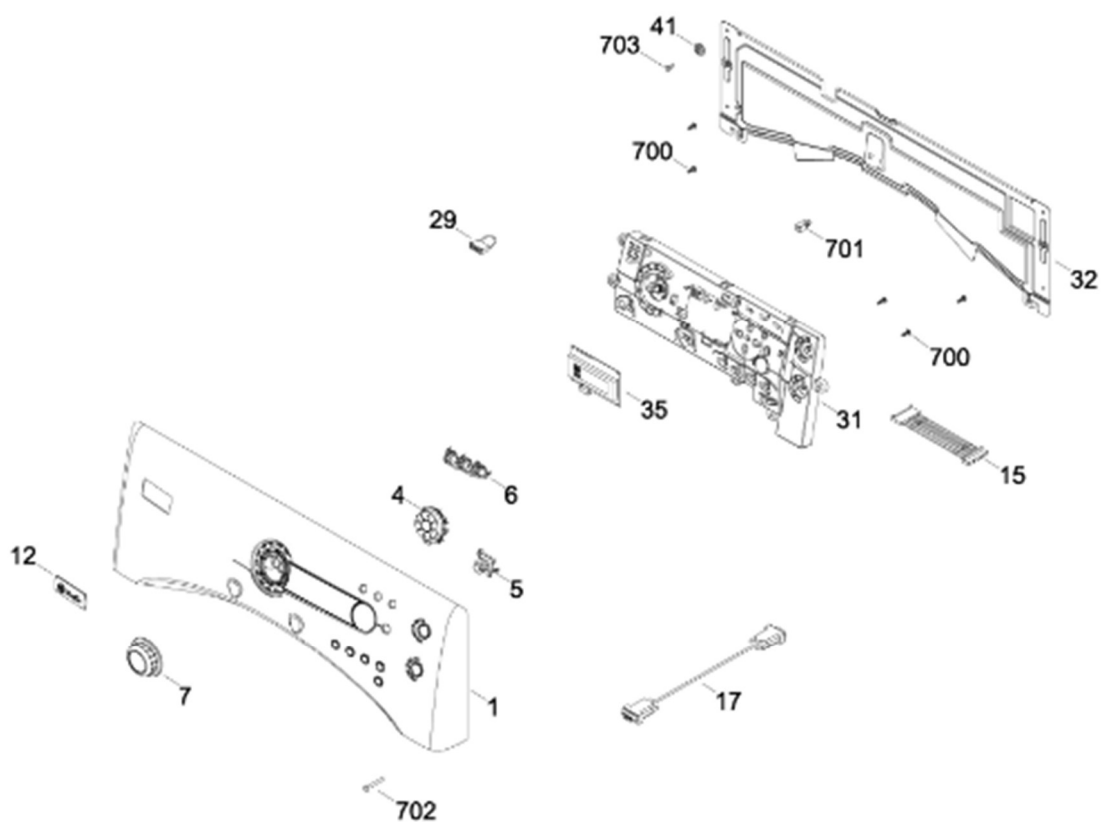


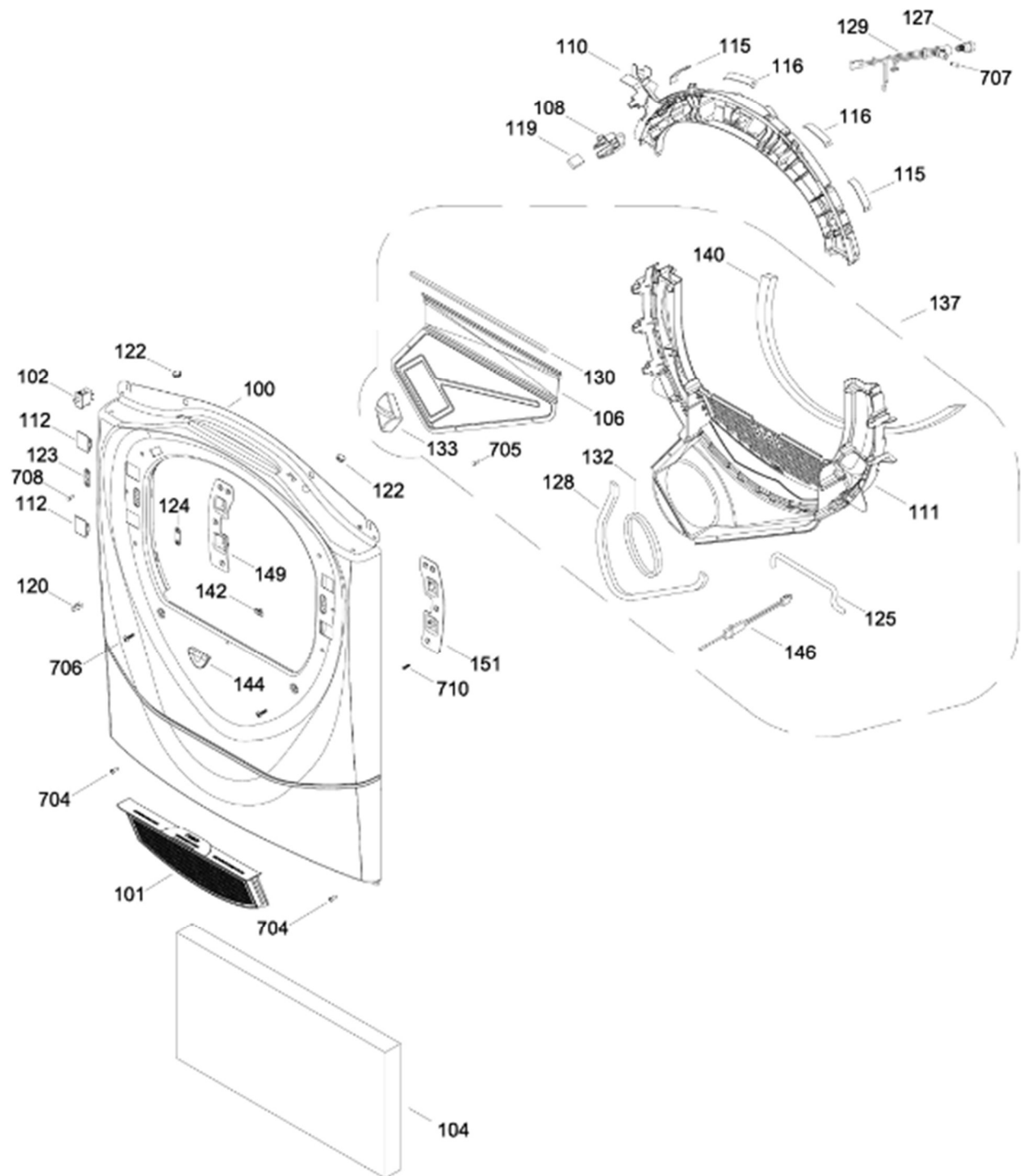
CONTROL & BACKSPLASH

DPVH880EJMG



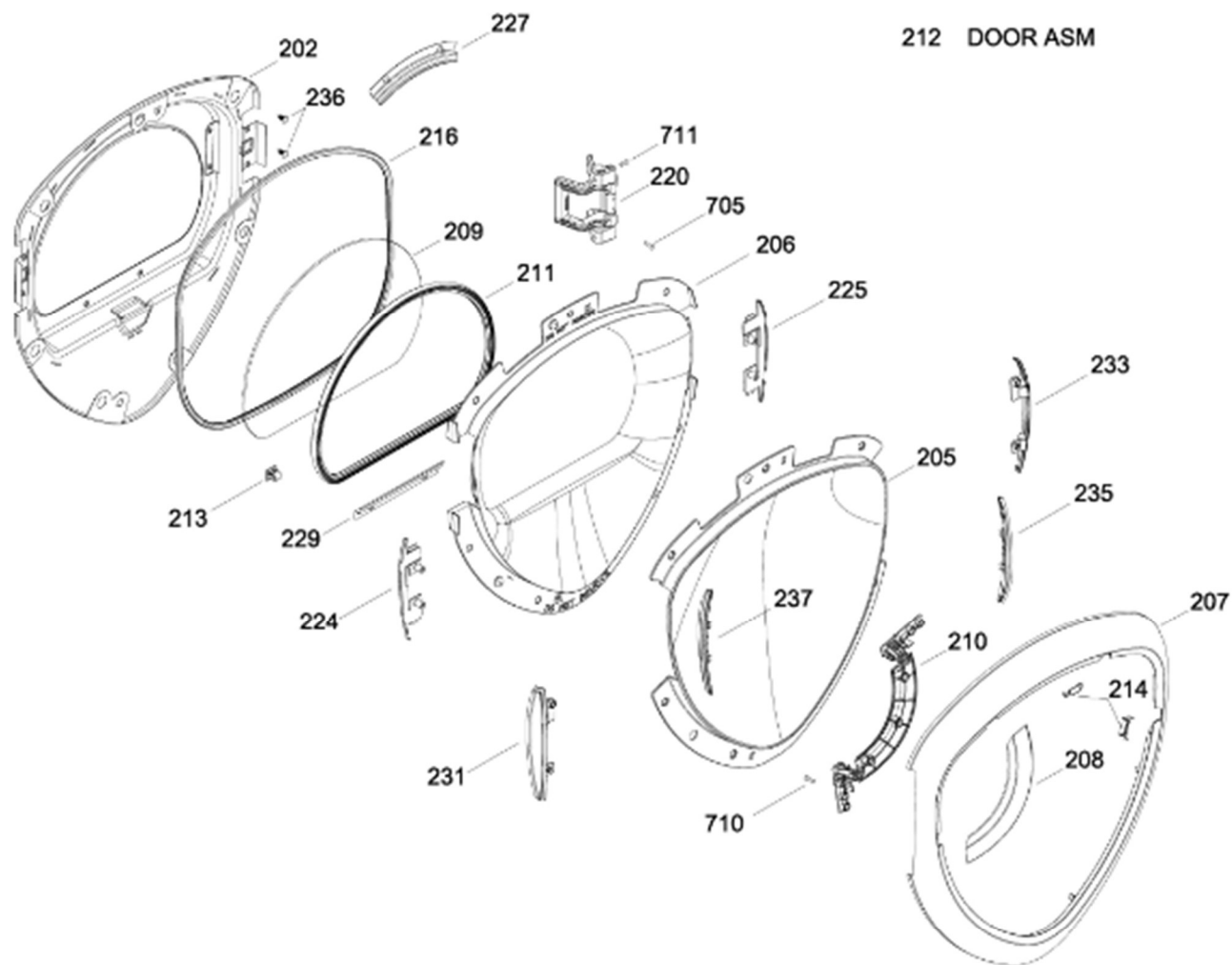
FRONT PANEL

DPVH880EJMG



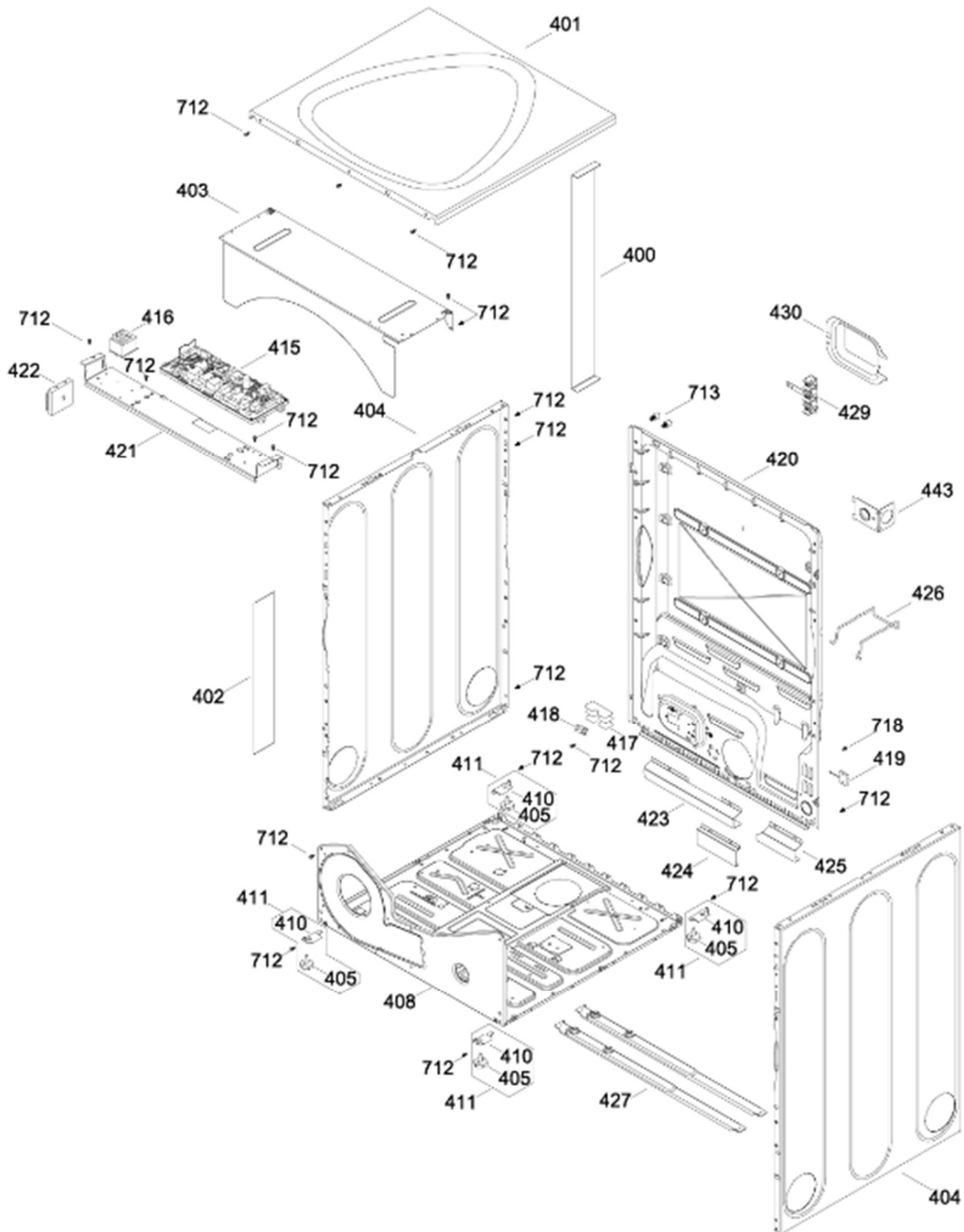
DOOR

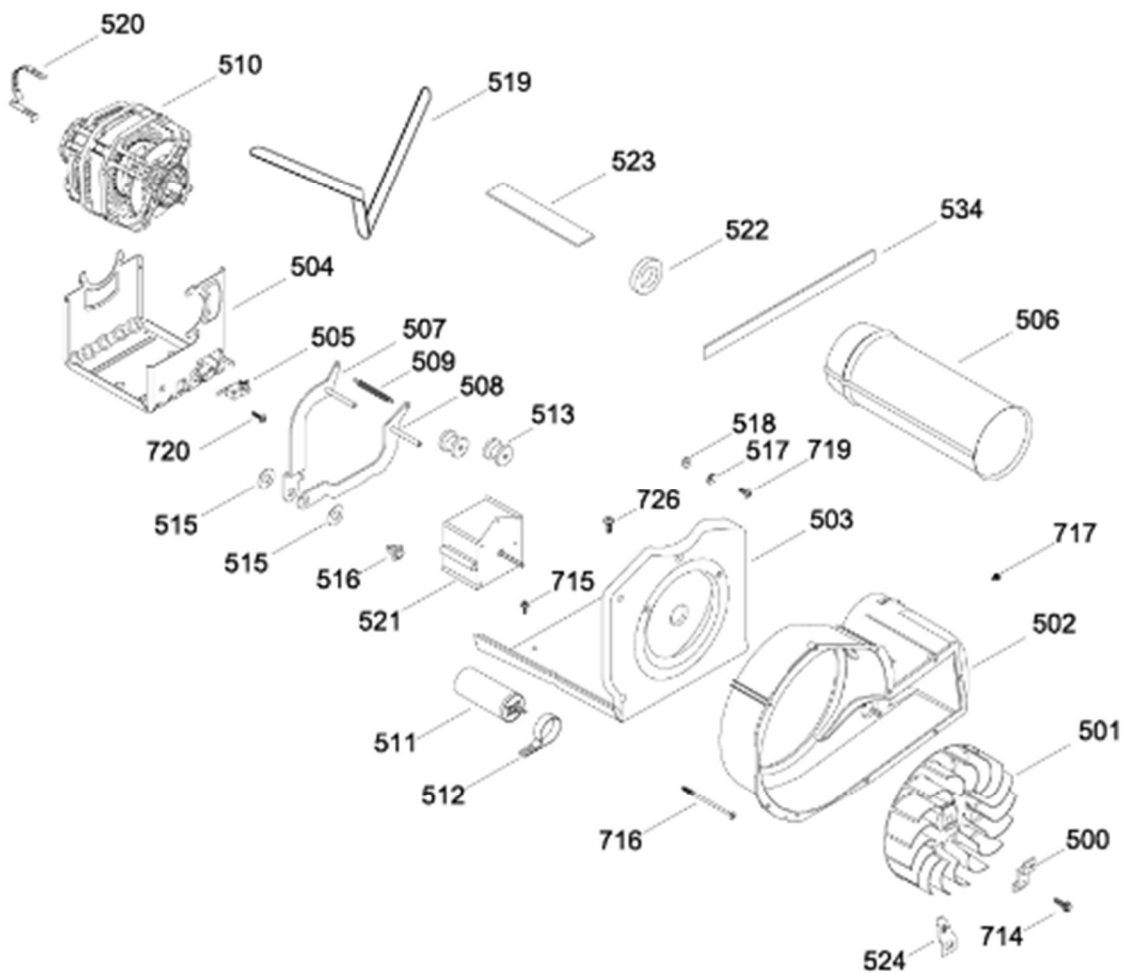
DPVH880EJMG



GABINETE

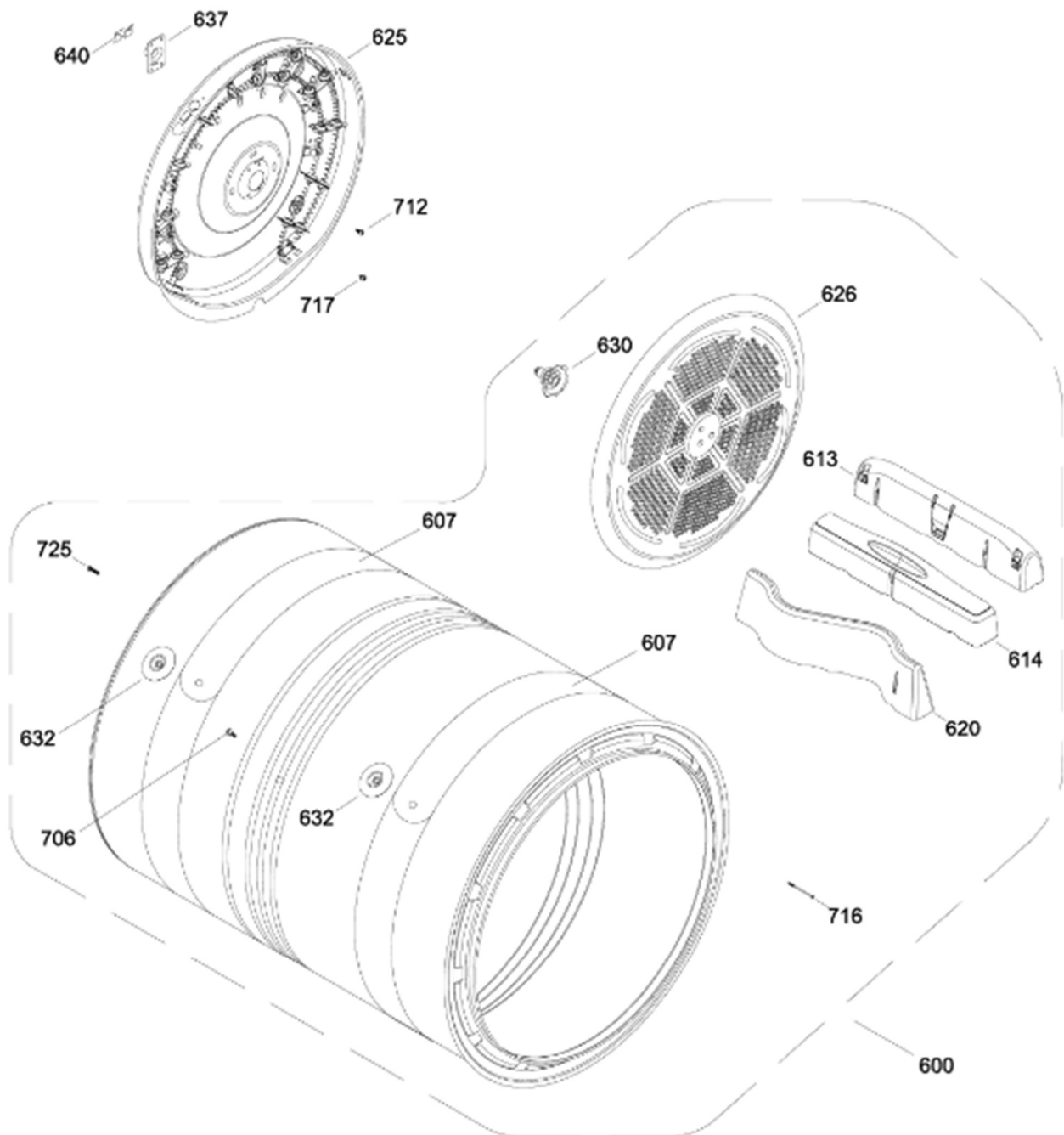
DPVH880EJMG





DRUM

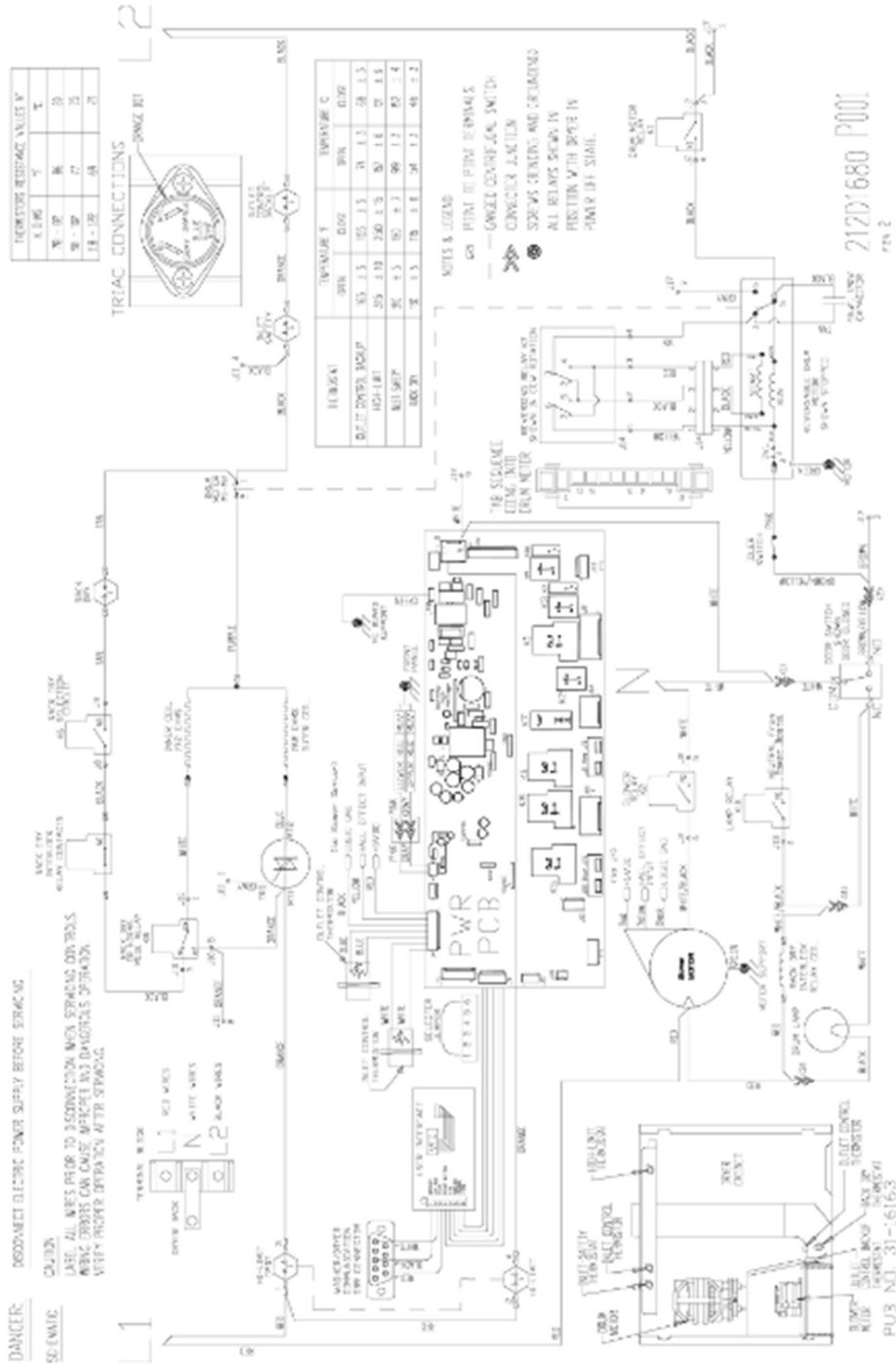
DPVH880EJMG



WIRING SCHEMATICS GAS

DPVH880EJMG

212D1606G001



Guía	Refacción	Descripción
1	WW02L00095	FRONT HOUSING-STAKING ASM
4	WW02L00357	CLUSTER BUTTON ASM GOLD
5	WW02L00358	BACK BUTTON - GOLD
6	WW02L00359	DELAY BUTTONS (3) ASM. GOLD
7	WW02L00092	KNOB ASSEMBLY
12	WW02A00079	BADGE GE PROFILE
13	212D1606G001	DIAGRAMA ESQUEMATICO
15	WW02A00117	WIRING HARNESS: UI VFD AND
17	WW02F00120	COMMUNICATION CABLE (WASHER-DR
29	WW02A00091	JUMPER ELECTRIC
31	WW02L00093	PCB BOARD WKK GAS
32	WW02L00177	FRONT SHIELD
35	WW02F00085	VFD DISPLAY BOARD
38	WW02A00055	KIT REVESIBLE ASM
41	WW02F00184	WHEEL FRONT SHIELD
100	WW03L00185	FRONT PANEL MAQUILA
101	WW02L00089	FILTER + MESH ASSEMBLY
101	WW03L00186	FILTER + MESH ASSEMBLY
101	WW02F00614	MARCO Y FILTRO ENS
102	WW02L00025	INTERRUPTOR PUERTA
104	WW02F00386	FRONT INSULATION
106	WW02F00179	TRAP DUCT COVER
106	WW02F00179	TRAP DUCT COVER
108	WW02L00172	DOOR SWITCH COVER
110	WW02A00054	TOP BEARING ASM. WITH SLIDES
110	WW02A00054	TOP BEARING ASM. WITH SLIDES
110	WW03A00154	TOP BEARING ASM. WITH SLIDES
110	WW02L00521	COJINETE SUPERIOR ENS
111	WW02L00091	TRAP DUCT
112	WW03L00189	TAPON APERTURA FRONTAL(ORO)
115	WW02A00033	BEARING_SLIDE
116	WW02L00038	BEARING_SLIDE
119	WW02A00084	CLEANING FELT
120	WW02A00004	STRIKE
122	102A3160P183	PLUG BUTTON
123	WW02A00056	STRIKE PLATE
124	WW02A00057	STRIKE PLATE

Guía	Refacción	Descripción
125	WW02F00088	SENSOR ROD
126	WW02L00039	SELLO
126	WW03F00354	SELLO
127	WW03F00458	LAMPARA
128	WW02L00041	SELLO
129	WW02F00137	HARNESS TOP BEARING (SOCKET AS
130	WW02L00042	SELLO
133	WW02F00132	FOAM SPACER- TRAP DUCT COVER
137	WW02F00366	TRAP DUCT ASM
140	WW02F00180	TRAP DUCT FELT
142	WW02A00093	NUT-STRIP DOOR GUIDE
144	WW02L00167	DOOR GUIDE
146	WW02F00135	HARNESS SENSORS
149	WW02L00183	HINGE BASE PART L
151	WW02L00184	HINGE BASE PART R
202	212D1470P001	INNER DOOR
205	WW02L00170	DOOR OUTER WINDOW
206	WW02L00169	DOOR MASK
207	WW02F00150	OUTER RING
208	WW02L00181	HANDLE TOP
209	WW02L00168	DOOR INNER WINDOW
210	WW02L00353	HANDLE BOTTOM
211	WW02F00185	WINDOW GASKET
212	212D1465G001F	DOOR ASSEMBLY
213	WW02L00037	LATCH ASM.
214	WW02L00180	HANDLE CAP
216	WW02L00099	DOOR GASKET
220	WW02L00182	HINGE ASSEMBLY
224	WW02L00188	INNER DOOR CAP LEFT
225	WW02L00189	INNER DOOR CAP RIGHT
227	248C1092P001	WINDOW RETAINER TOP
229	248C1093P001	WINDOW RETAINER BOTTOM
231	WW02L00166	DOOR CAP LEFT
233	WW02L00105	DOOR CAP RIGHT (REVERSIBILITY)
235	WW02L00185	HINGE CAP LEFT (REVERSIBILITY)
236	WW02A00082	BEAUTY BOTTON
237	WW02L00186	HINGE CAP RIGHT

Guía	Refacción	Descripción
400	WW03L00203	PLACA AMORTIGUADOR
401	WW03L00204	CUBIERTA SUPERIOR
402	WW02L00147	DAMPENING PLATE
403	212D1495P001	PLACA POSTERIOR
404	WW03L00206	LATERAL(ORO)
405	WW02L00191	PATTE DE NIVELLEMENT
408	WW02L00156	CHASSIS BASE
410	WW02A00113	SUPPORT (PATTE DE NIVELLEMENT
411	WW02F00139	PATA NIVELADORA ENS
415	WW02F00075	MC BOARD
416	WW02F00152	ESTANTE RELEVADOR BLOQUEO
417	WW02F00426	FUSE HOLDER
418	WW02F00428	FLM 30A 120V FUSE
419	WW02F00145	MOTOR CHANNEL FOAM
420	WW02L00196	REAR PANEL
420	WW02L00196	REAR PANEL
421	WW02F00140	MAIN POWER BOARD SUPPORT
422	212D1422G001F	TRIAC ASSY
423	WW02F00387	LOUVER GUARD 3
424	WW02F00388	LOUVER GUARD 1
425	WW02F00389	LOUVER GUARD 2
426	WW03A00167	PROTECTOR ESCAPE
427	WW02F00148	MOTOR SUPPORT CHANNEL
429	WW02F00172	TERMINAL BLOCK
430	WW03L00096	CUBIERTA BLOQUE TERMINALES
430	WW02L00246	CUBIERTA BLOQUE TERMINALES
443	WW02A00119	SOPORTE ANTI TENSION
500	WW02A00040	ABRAZADERA VENTILADOR
501	WW02A00073	VENTILADOR REDONDO
502	WW02F00107	BLOWER HOUSING
503	WW02F00187	MOTOR PLATE (E-COAT)
504	212D1456P001	U-SUPPORT
505	WW02F00138	INTERRUPTOR PRESENCIA BANDA
506	WW02F00129	EXHAUST DUCT
506	WW02F00721	EXHAUST DUCT
507	WW02A00076	ARM & PIN LEFT ASSY
508	WW02A00077	BRAZO Y PERNO DER ENS

Guía	Refacción	Descripción
509	WW02A00112	SPRING IDLER
510	WW02F00071	ENS. MOTOR POLEA
510	WW03F00445	ENS. MOTOR POLEA
511	WW01F00238	CAPACITOR
511	WW01F00342	CAPACITOR
512	WW02F00116	CAPACITOR HOLDER
513	WW02F00188	PULLEY
513	WW02L00151	PULLEY
513	WW02F00871	POLEA
515	WW02A00094	NYLON WASHER
516	WW02A00001	REVERSIBLE IDLER
517	WW02A00002	ARANDELA
518	WW02F00146	MOTOR RUBBER WASHER (GROMMET)
519	WW02F00072	BANDA
519	WW02F00896	BANDA
520	WW02F00031	CLIP MOTOR
521	WW02A00053	BLOWER MOTOR (w/control)
522	WW02A00068	BLOWER MOTOR FOAM
523	WW02A00075	ABSORBER FOAM
524	WW02A00041	ABRAZADERA VENTILADOR
534	WW02A00026	EMPAQUE ESCAPE SOPLADOR
534	WW02F00785	EMPAQUE ESCAPE SOPLADOR
600	WW02F00078	DRUM & BAFFLE ASSEMBLY
607	WW02L00098	BANDA TAMBOR
613	WW02F00133	HANG DRY BAFFLE ASSEMBLY
614	WW02L00153	BAFFLE AND SCREEN ASSEMBLY
620	WW02F00153	S-BAFFLE
625	WW02L00341	HEATER ASM
625	WW02L00341	HEATER ASM
626	WW02F00030	DIFUSOR
630	WW02A00019	SOPORTE Y FLECHA ENSAMBLE
632	WW02A00072	RONDANDA BANDA
637	WW02A00005	RETENEDOR RODAMIENTO
640	WW02F00026	GROUND STRAP ASM.
640	WW01A00443	GROUND STRAP ASM.
640	WW02F00833	GROUND STRAP ASSEMBLY
700	WW02A00102	SCREW CHASSIS TO FRONT HSG.

Guía	Refacción	Descripción
701	WW02A00087	ENCLOSED SCREW GROMMET
702	WW02A00104	SCREW KNOB AREA
703	WW02A00105	SCREW WHEEL MOUNTING
704	WW03A00144	TORNILLO # 10(GOLD)
705	WW02A00028	TORNILLO
706	WW02A00031	TORNILLO
707	WW02A00097	SCREW
708	WW02A00098	SCREW
708	WW01A00539	SCREW
710	WW02A00100	SCREW #8 FOR DOOR HINGE CAP
711	WW02A00101	TORNILLO
712	WW02A00029	TORNILLO
712	WW02A00211	TORNILLO
713	WW02A00074	3/16 HEX FEMAL SCREW
714	WW02A00071	TORNILLO
715	WW02A00070	TORNILLO
716	WW02A00032	TORNILLO
717	WW02A00030	TORNILLO
717	WW02A00211	TORNILLO
718	WW01A00001	TORNILLO
719	WW02A00106	SCREWS
719	WW02A00229	SCREWS
720	WW02A00096	SCREW
725	WW02A00121	TORNILLO
726	WW02A00027	SCREW