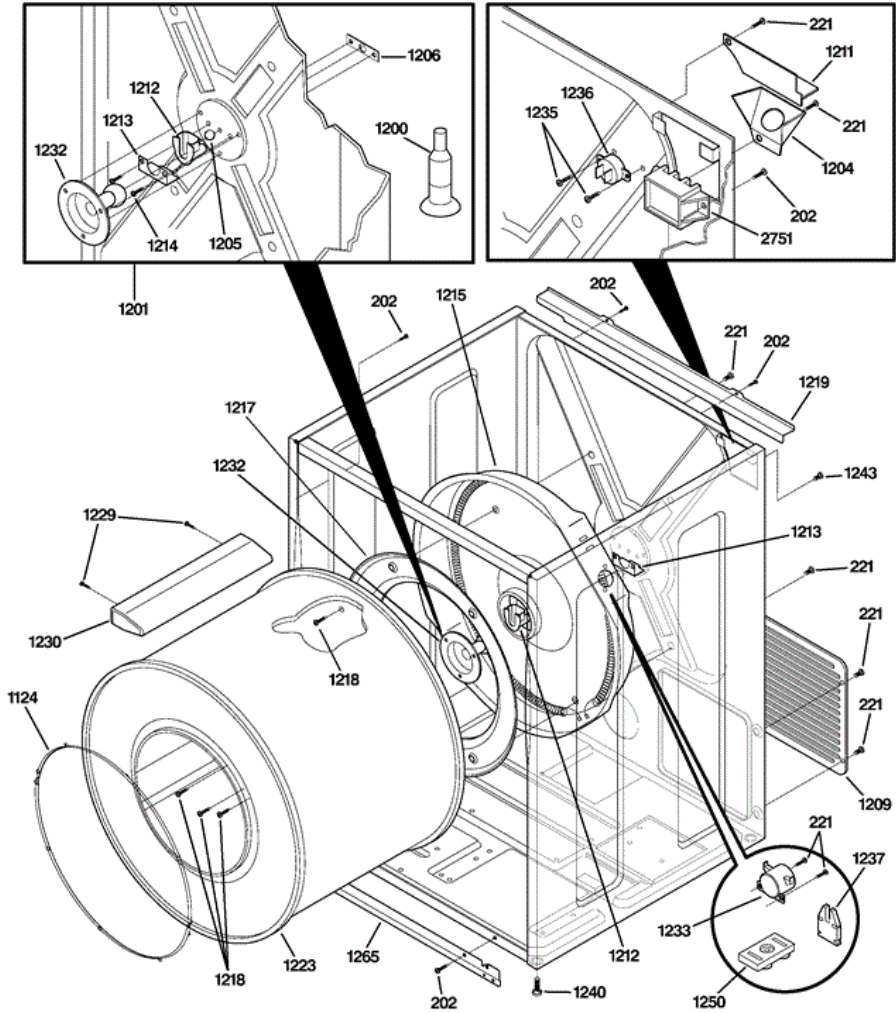


**DSXH47EG1WW GABINETE**

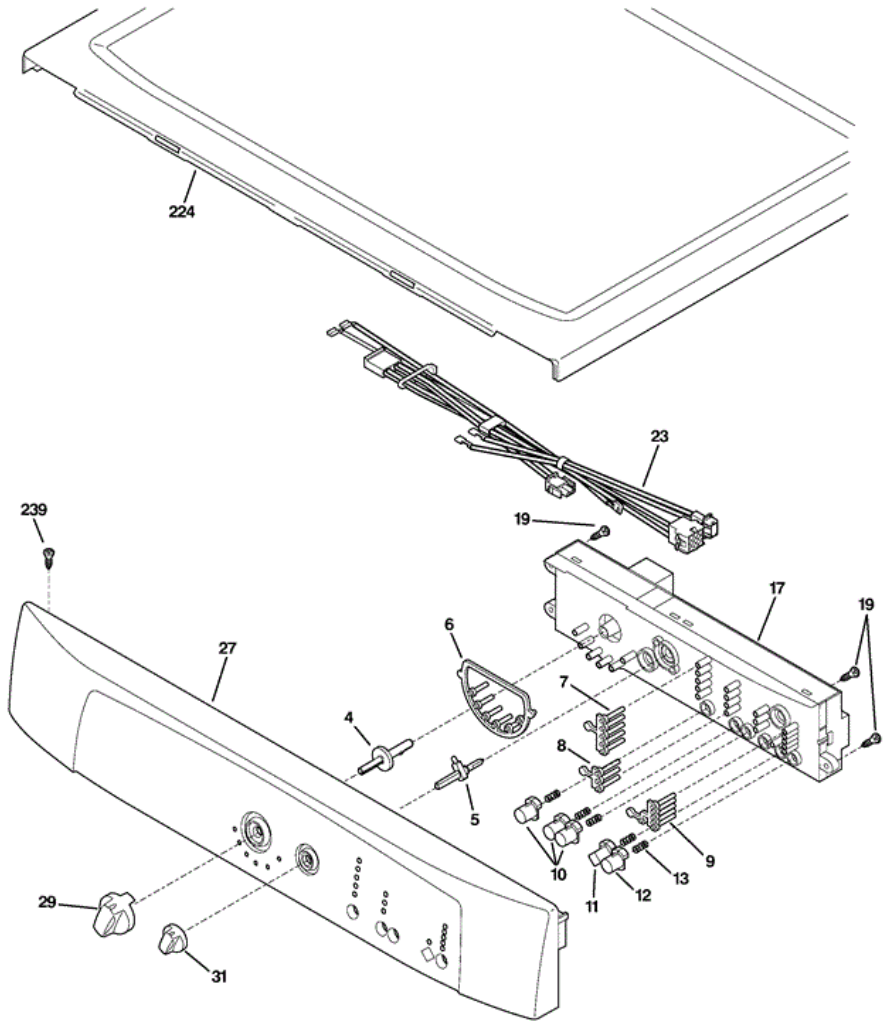




## DSXH47EG1WW GABINETE

202	WR02X9494	SCREW
221	WH01X10004	SCREW, 8-18AB X 0.375
1124	WE03X10007	GLIDE-DRUM
1200	WE25X10013	LUBRICANT, HIGH TEMP
1201	WE25X10001	KIT REAR BEARING
1204	WE13X10010	BRACKET CORD
1205	WE01X1152	BALL
1206	WE02X0358	CLIP BALL
1209	WE20X10086	PANEL ACCESS
1211	WE20X10005	COVER TERM BLOCK
1212	WE03X10002	BEARING-DRUM SUPPORT
1213	WE13X10009	BRACKET BEARING
1214	WE02X10005	SCREW, 10-16B X 1.375
1215	WE14X10015	HEATER-HOUSING ASS'Y
1217	WE14X0202	BAFFLE-HEATER
1218	WE02X10006	SCREW 10-16 X.375
1219	WE20X10090	BRACKET, TOP PANEL MTG.
1223	WE21X10013	DRUM ASM.
1229	WE02X10007	SCREW, 10-14 X 1.00
1230	WE21X0069	VANE
1232	WE13X10011	SHAFT SUPPORT
1233	WE04X10002	THERMOSTAT-SAFETY
1235	WE02X10033	SCREW 6-20 X .230
1236	WE04X10094	THERMAL LIMITER
1237	WE04X10026	INSULATOR, HEATER HSNQ
1240	WE02X10073	FOOT, CABINET
1243	WE02X10057	SCREW-GROUND
1250	WE04X10027	BLOCK TERM HEATER HSG
1265	WE20X10091	BRACKET, SVCE PANEL MTG.
2751	WE04X10095	BLOCK-TERMINAL

# DSXH47EG1WW TABLERO

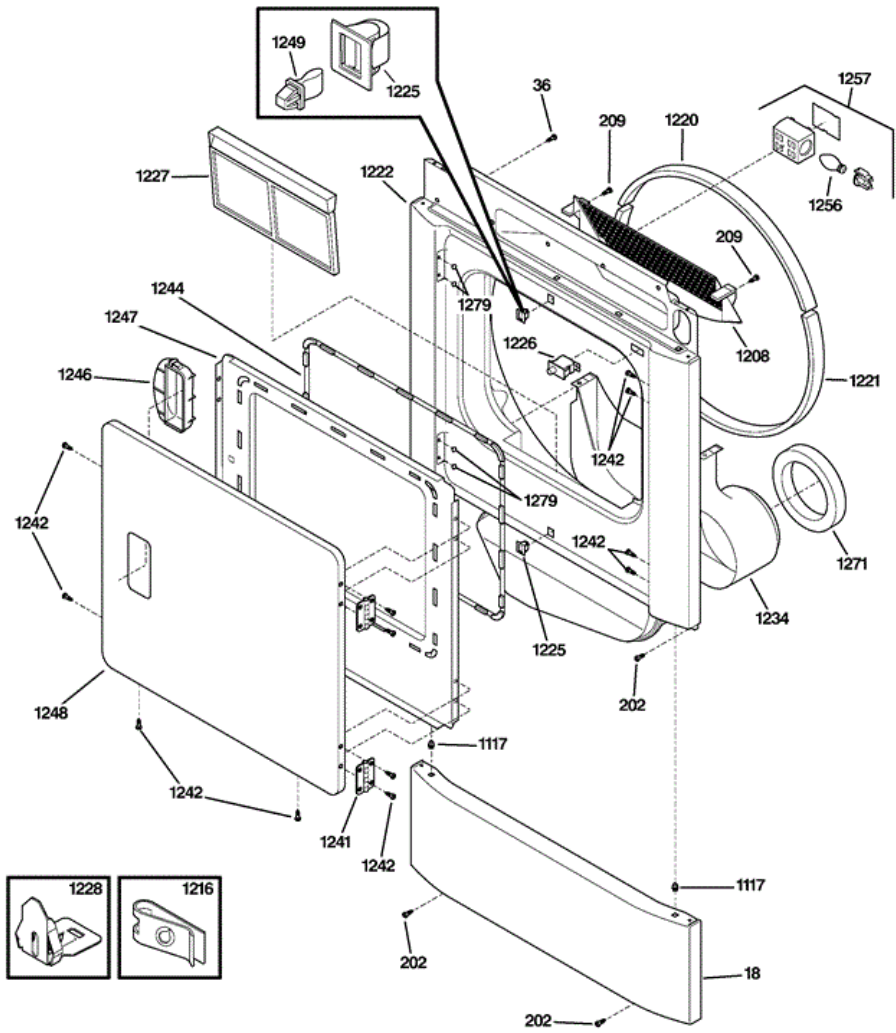




## DSXH47EG1WW TABLERO

4	WE01X10223	PIN, PROGRAM KNOB
5	WE01X10224	PIN, FUNCTION KNOB
6	WE01X10225	LIGHT PIPE,9-CURVED PRGM
7	WE01X10226	LIGHT PIPE, ARRAY, 1 ROW
8	WE01X10227	LIGHT PIPE, ARRAY, 2 ROW
9	WE01X10228	LIGHT PIPE, ARRAY, 4 STA
10	WE01X10229	PUSH BUTTON, FUNCTION
11	WE01X10230	PUSH BUTTON, START
12	WE01X10231	PUSH BUTTON, PAUSE
13	WE01X10232	SPRING, PUSH BUTTON
17	WE19X10076	CONTROL BOARD ASM
19	WE02X10070	SCREW, PHILLIPS, 6-19 X
23	WE08X10071	HARNES-CONTROL
27	WE20X10087	CONSOLE FRAME
29	WE01X10222	KNOB, PROGRAM
31	WE01X10221	KNOB, FUNCTION
224	WE04X10137	PANEL-TOP WH
239	WH02X10228	SCREW,8-18AB X 0.455

**DSXH47EG1WW PUERTA**

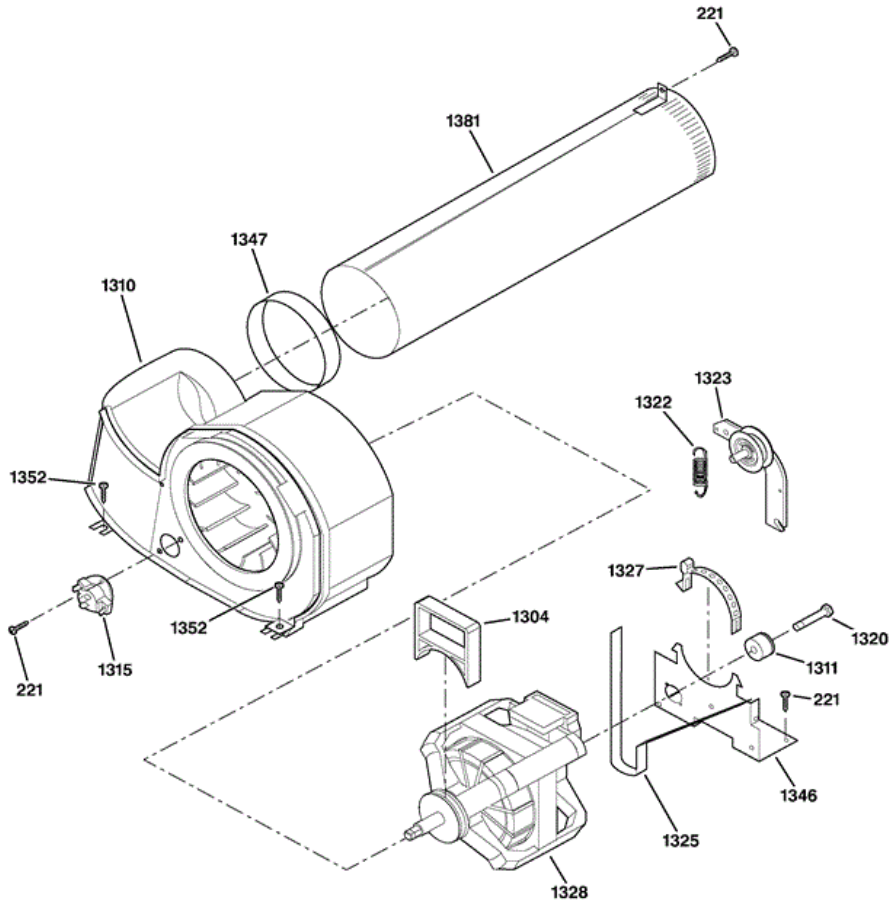




## DSXH47EG1WW PUERTA

18	WE20X10088	PANEL, FRONT SERVICE, WH
36	WH02X10007	SCW #8 PAN HD 10-10BX.50
202	WR02X9494	SCREW
209	WH02X10009	SCREW-LOCK, 10-16 X .500
1117	WE02X10072	CLIP, ASSEMBLY
1208	WE18X10013	COVER, LINT TRAP
1216	WE02X10068	CLIP-WIRING
1220	WE09X10016	FELT,UPPER
1221	WE09X10014	FELT-LOWER
1222	WE20X10102	PANEL-FRNT STK WH W/LITE
1225	WE01X10023	CATCH DOOR
1226	WE04X10046	SWITCH-DOOR W/DRUM LIGHT
1227	WE18X10002	LINT TRAP
1228	WE02X10069	CLIP GUIDE
1234	WE14X10073	DUCT, AIR
1241	WE01X10233	HINGE, DOOR
1242	WE02X10071	SCREW
1244	WE09X10017	GASKET, DOOR
1246	WE01X10234	HANDLE, DOOR
1247	WE10X10024	PANEL INNER DOOR WH
1248	WE10X10023	DOOR - OUTER WH
1249	WE01X10235	STRIKE DOOR
1256	WE04X10045	LAMP
1257	WE04X10058	LAMP ASSEMBLY
1271	WE09X10004	SEAL-HEATER HOUSING
1279	WE01X10011	PLUG WH

**DSXH47EG1WW MOTOR**





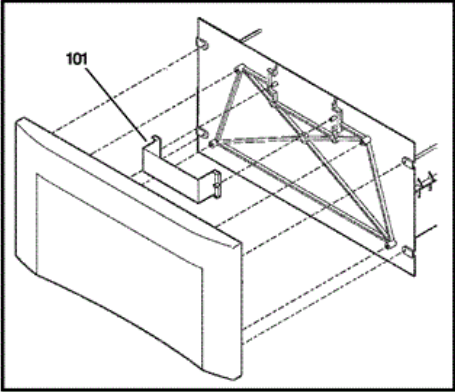
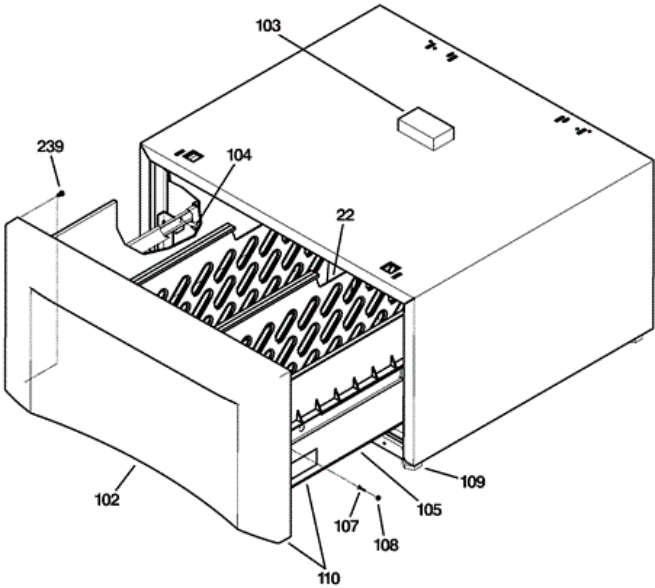
## DSXH47EG1WW MOTOR

221	WH01X10004	SCREW, 8-18AB X 0.375
1304	WE01X10016	LOCK FAN HOUSING
1310	WE14X10025	BLOWER HOUSING ASM
1311	WE01X10029	SPACER IDLER
1315	WE04X10138	THERMOSTAT CONTROL
1320	WE02X10014	SCREW HX HD 1/4-20TX1.25
1322	WE01X10027	SPRING IDLER
1323	WE01X10236	IDLER ARM ASSY, W/PULLEY
1325	WE12X10009	BELT-DRYER
1327	WE01X10211	CLAMP,MOTOR
1328	WE17X10001	MOTOR-MAIN,W/PULLEY
1346	WE13X10026	BRACKET-MOTOR
1347	WE09X10003	SEAL EXHAUST TUBE
1352	WE02X10002	SCREW 10-16 X 5/8 PPH AB
1381	WE14X10007	TUBE ASM EXHAUST





# DSXH47EG1WW PEDESTAL





## DSXH47EG1WW PEDESTAL

22	WH16X10095	DIVIDER DRAWER INNER
101	WH01X10341	HANDLE DRAWER
102	WH46X10166	PANEL DRAWER FRONT
103	WH01X10325	DAMPENER VIBRATION FOAM
104	WH02X10253	SCREW SHEET METAL 6-20 X
105	WH16X10094	DRAWER SLIDE
107	WH02X10254	SCREW MACHINE 6-32 X 0.6
108	WH02X10255	NUT LOCKING 6-32 (2) W/N
109	WH01X10338	FOOT BOLT / PAD ASM
110	WH44X10185	PEDESTAL DRAWER ASSEMBLY
239	WH02X10228	SCREW,8-18AB X 0.455