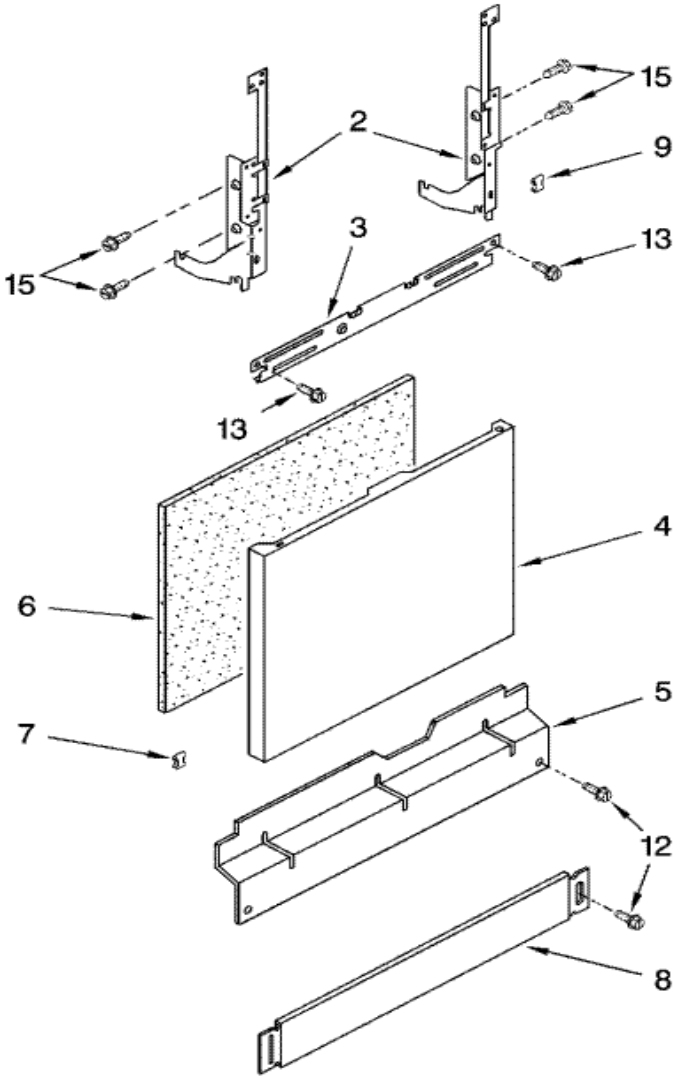


DU1100XTPBA DOOR AND PANEL

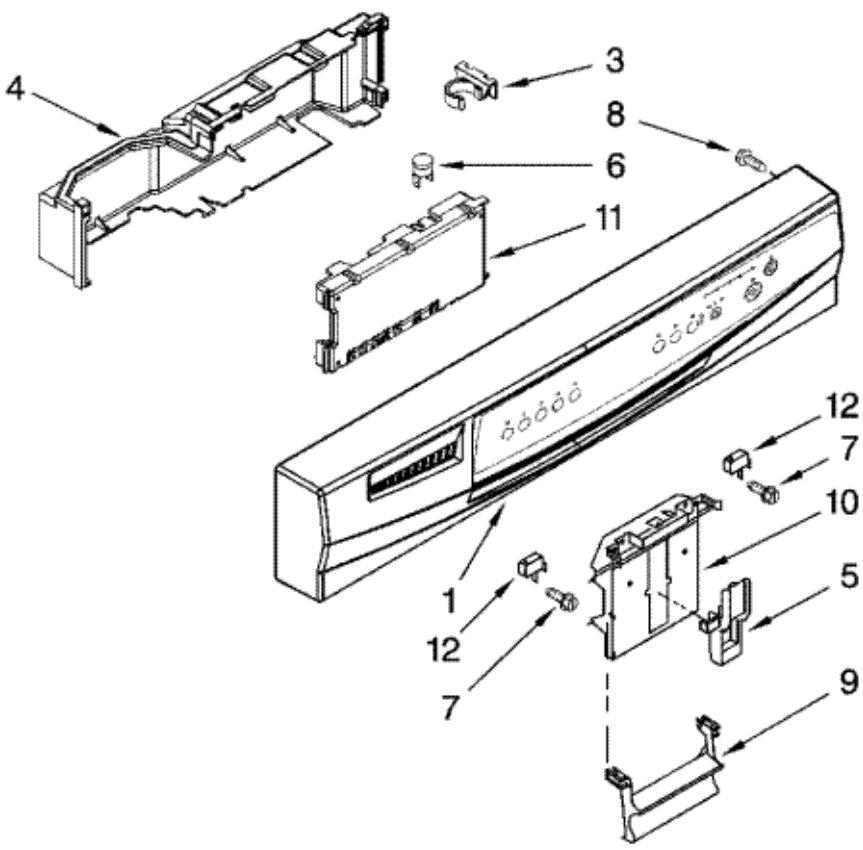




DU1100XTPBA DOOR AND PANEL

2	8534857	ARM, HINGE (RIGHT) (S/P)
2	8534858	ARM, HINGE (LEFT) (S/P)
3	8564886	STIFFENER, DOOR (S/P)
4	8269845	PANEL FRONT (INCLUDES 7) (STAINLESS) (S/P)
4	W10073200	PANEL FRONT (INCLUDES 7) (BLACK) (S/P)
4	W10073210	PANEL FRONT (INCLUDES 7) (WHITE) (S/P)
4	W10073220	PANEL FRONT (INCLUDES 7) (BISCUIT) (S/P)
5	8573257	ACCESS PANEL (BISCUIT) (S/P)
5	8573255	ACCESS PANEL (BLACK) (S/P)
5	8573256	ACCESS PANEL (WHITE) (S/P)
6	8268580	INSULATION, DOOR (S/P)
7	8269016	CLIP, GROUND (S/P)
8	8573286	TOE PANEL (INCLUDES CLIP) (BLACK) (S/P)
8	8573287	TOE PANEL (INCLUDES CLIP) (WHITE) (S/P)
8	8573288	TOE PANEL (INCLUDES CLIP) (BISCUIT) (S/P)
9	8269740	CLIP, GROUNDING (S/P)
12	302868	SCREW (BLACK) (S/P)
12	3400836	SCREW (WHITE) (S/P)
12	3400865	SCREW (BISCUIT) (S/P)
13	343641	SCREW (S/P)
15	489470	SCREW (S/P)

DU1100XTPBA CONTROL PANEL

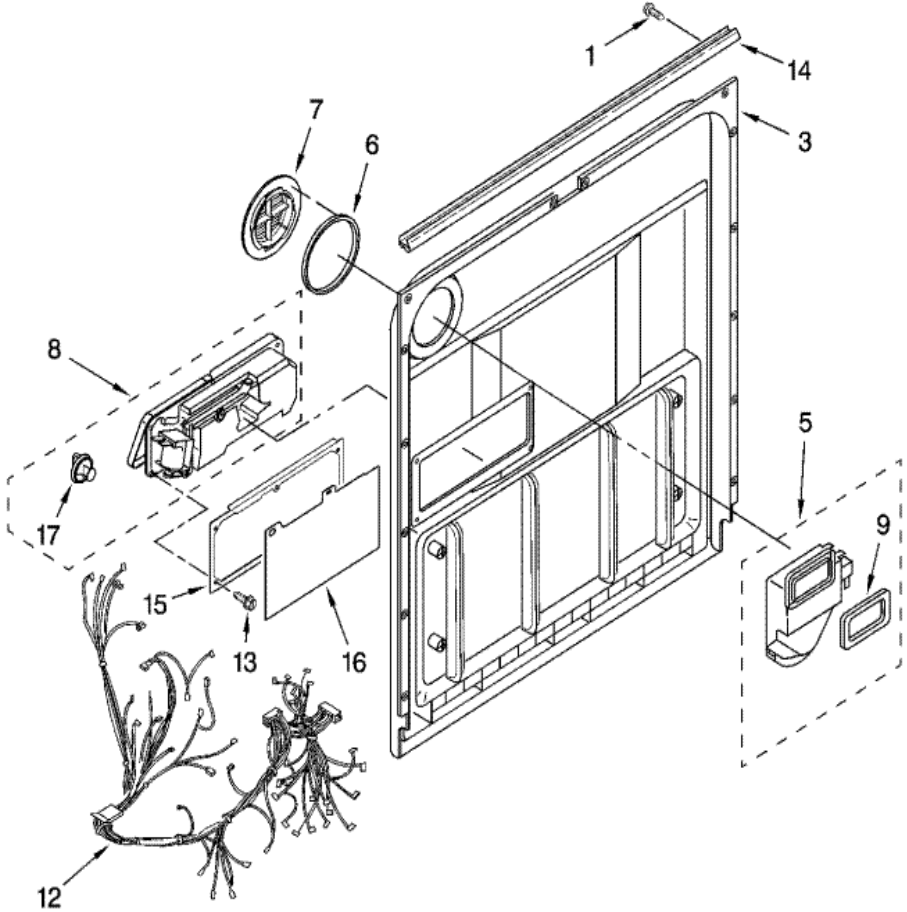




DU1100XTPBA CONTROL PANEL

1	3385734	CONSOLE ASM. (BLACK) (S/P)
1	3385735	CONSOLE ASM. (WHITE) (S/P)
1	3385736	CONSOLE ASM. (BISCUIT) (S/P)
3	8546546	CLIP, BI-METAL (S/P)
4	W10056090	COVER CONTROL SHIELD ASSEMBLY (S/P)
5	8524471	ACTUATOR, LATCH (S/P)
6	661663	BI-METAL (S/P)
7	3400412	SCREW (S/P)
8	3369051	SCREW (6) (S/P)
9	8534986	HANDLE, LATCH (BISCUIT) (S/P)
9	8534984	HANDLE, LATCH (BLACK) (S/P)
9	8534985	HANDLE, LATCH (WHITE) (S/P)
10	8193882	BOLT, LATCH (S/P)
11	8575277	CONTROL, ELECTRONIC (S/P)
12	8269209	SWITCH, DOOR (S/P)

DU1100XTPBA DOOR AND LATCH

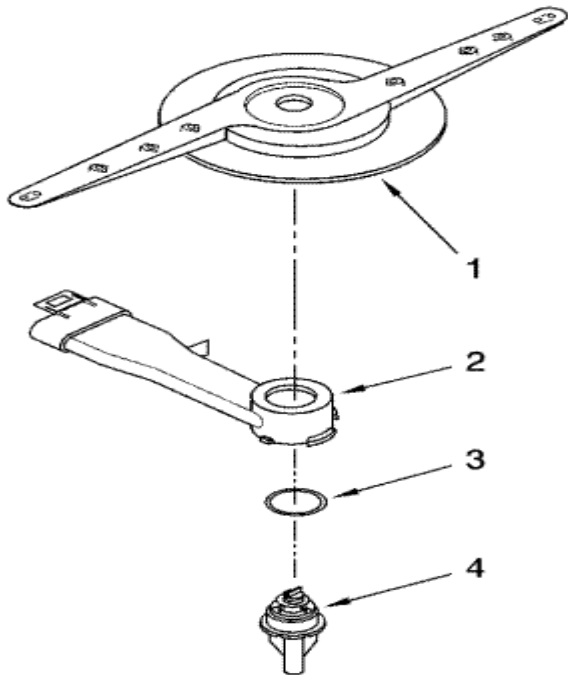




DU1100XTPBA DOOR AND LATCH

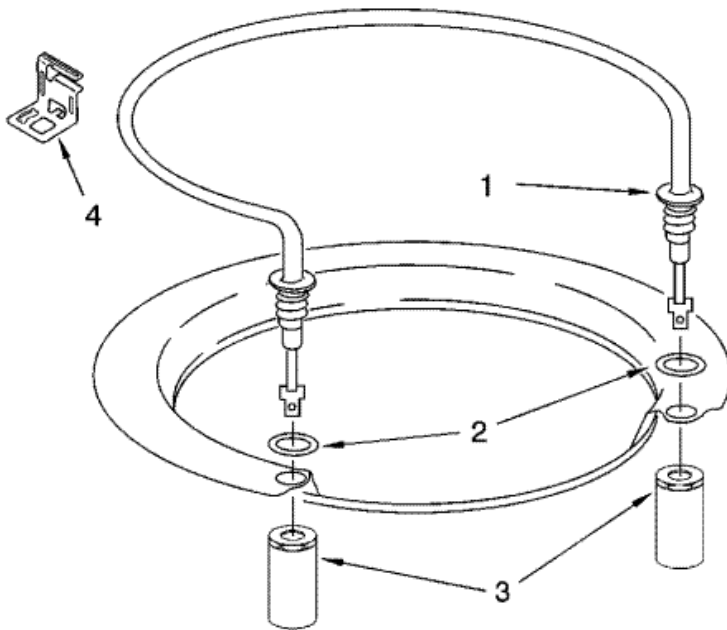
1	3369051	SCREW, DOOR (S/P)
3	8269311	INNER DOOR (ALSO ORDER ITEM 6) (S/P)
5	8558980	VENT ASSEMBLY (ALSO ORDER ITEM 6) (S/P)
6	8269259	GASKET, VENT (S/P)
7	8542566	DEFLECTOR, VENT (ALSO ORDER ITEM 6) (S/P)
8	8565814	DISPENSER, ASSEMBLY (S/P)
9	8269258	SEAL, FRONT (S/P)
12	8573175	WIRING HARNESS MAIN (S/P)
13	8281154	SCREW (S/P)
14	8269296	SEAL, CONSOLE/DOOR (S/P)
15	8535637	BRACKET, DISPENSER (S/P)
16	8531865	SHIELD, DISPENSER (S/P)
17	8558307	CAP, RINSE AID (S/P)

DU1100XTPBA LOWER WASHARM



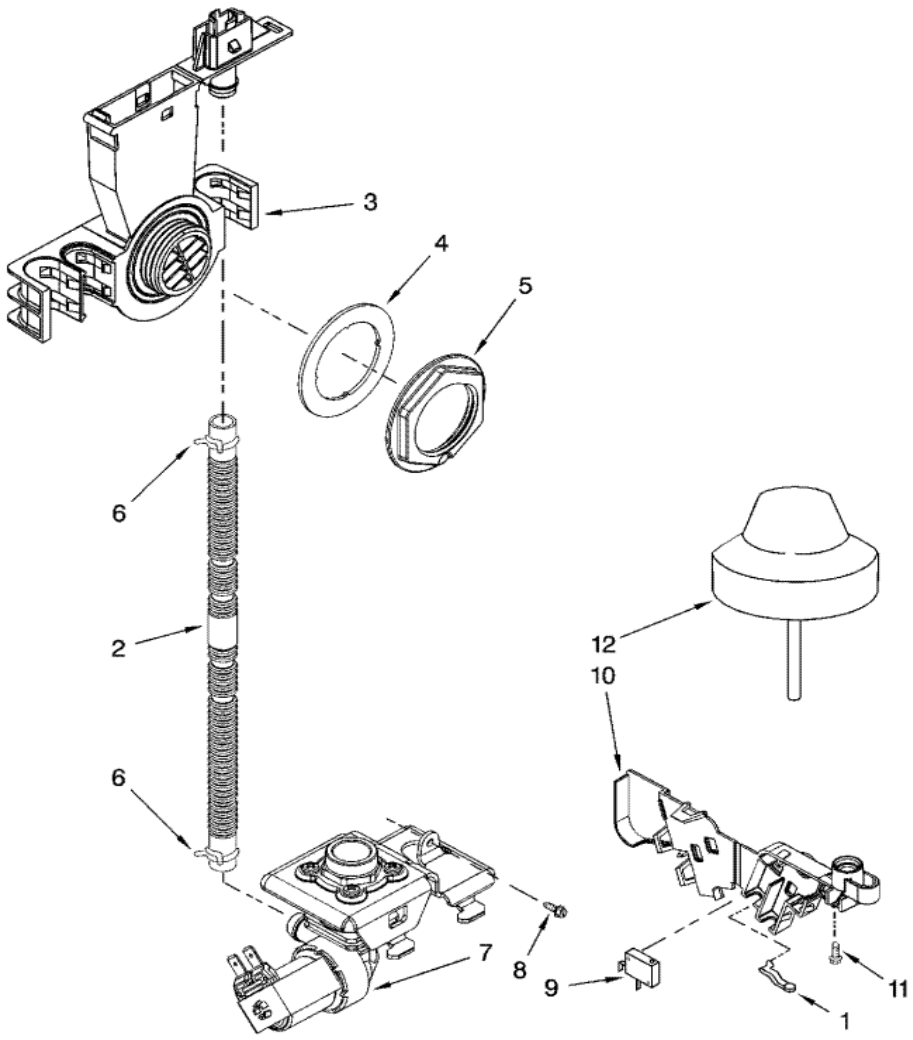
1	8268332	WASH ARM ASSEMBLY (S/P)
2	8268317	CAP, INTERNAL REAR FEED (S/P)
3	8268340	SEAL, SPRAYARM (S/P)
4	8268342	HUB, LOWER SPRAYARM (S/P)

DU1100XTPBA HEATER



1	8563007	HEATER ELEMENT ASSEMBLY (S/P)
2	717273	WASHER, HEATER ELEMENT (S/P)
3	8268548	NUT, HEATER ELEMENT (S/P)
4	8269262	BRACKET, HEATER SUPPORT (S/P)

DU1100XPBA FILL AND OVERFILL

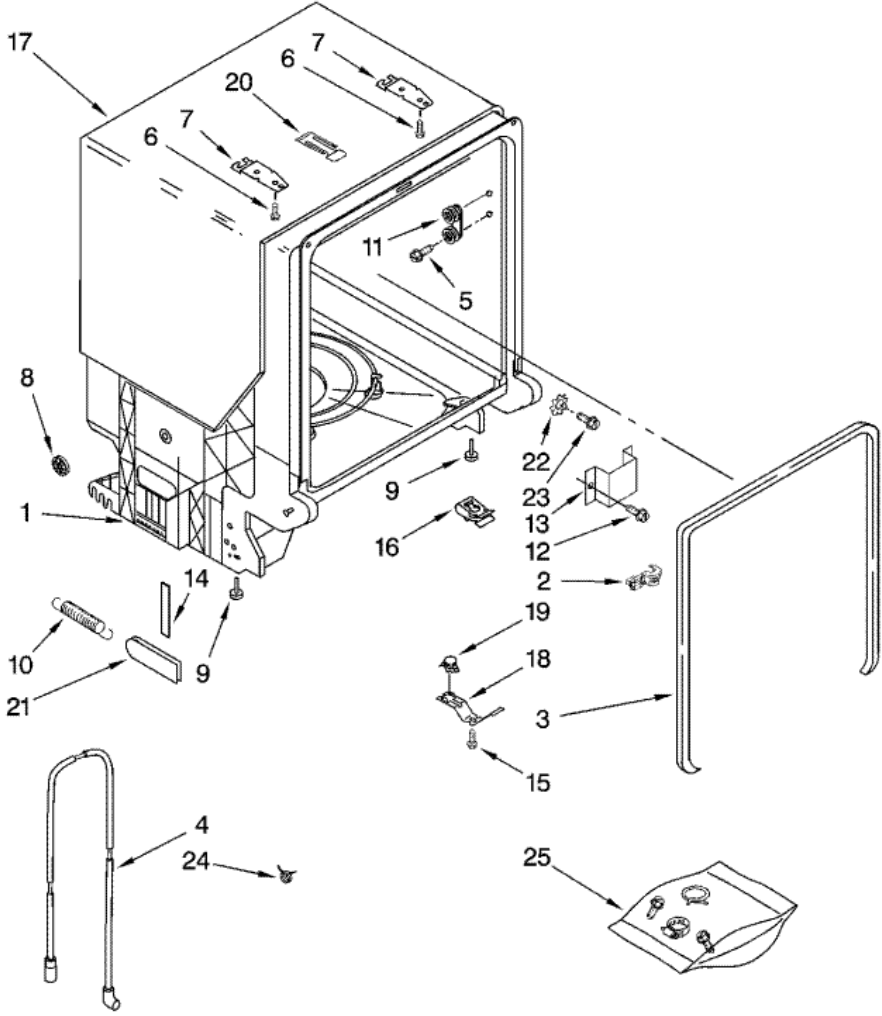




DU1100XPBA FILL AND OVERFILL

1	8268892	LEVER, OVERFLOW SWITCH (S/P)
2	8531412	HOSE, INLET (S/P)
3	8531325	WATER INLET (ALSO ORDER ITEM 4) (S/P)
4	8531323	GASKET (S/P)
5	8531326	NUT, INLET (ALSO ORDER ITEM 4) (S/P)
6	371505	CLAMP, HOSE (S/P)
7	8563405	FILL VALVE ASSEMBLY (S/P)
8	304392	SCREW (S/P)
9	8268909	SWITCH, OVERFILL CONTROL (S/P)
10	8545881	STANDPIPE, OVERFILL (S/P)
11	304231	SCREW (S/P)
12	8268913	FLOAT & RETAINER ASSEMBLY (S/P)

DU1100XTPBA TUB AND FRAME





DU1100XTPBA TUB AND FRAME

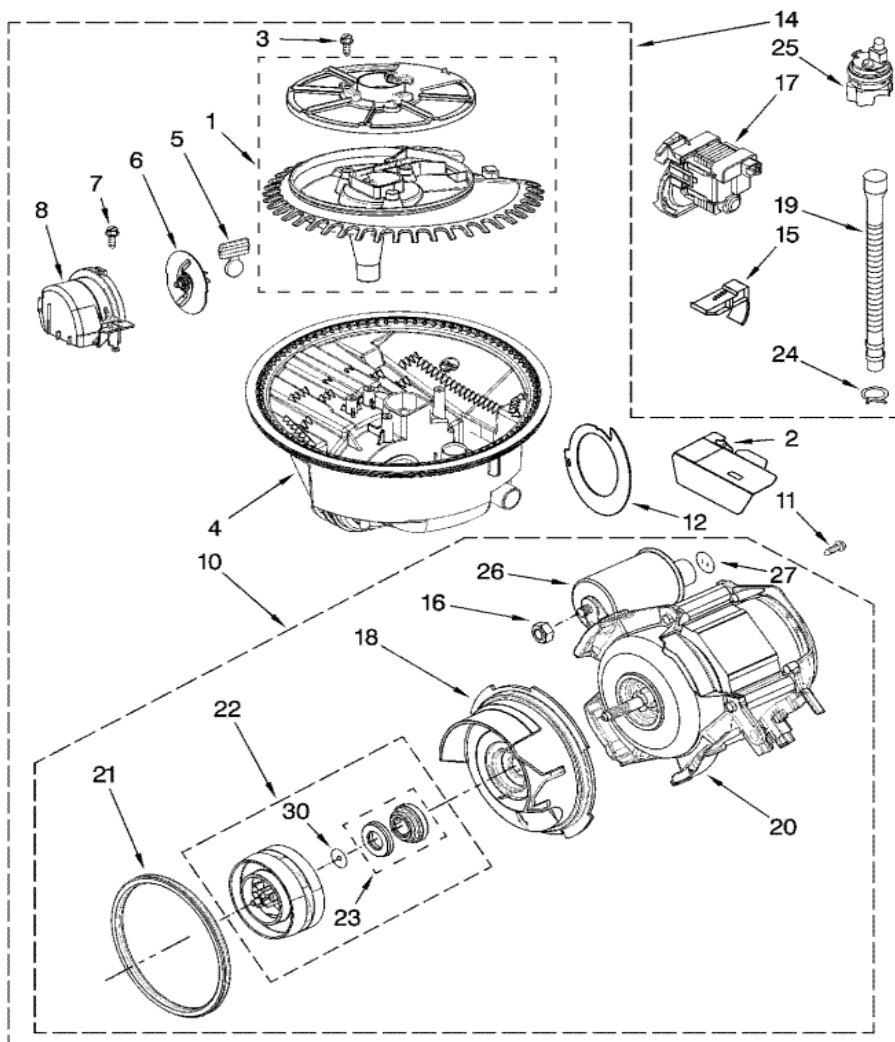
1	W10008370	TUB ASSEMBLY (S/P)
2	8573061	STRAIN RELIEF (S/P)
3	8268888	DOOR SEAL (S/P)
4	8531022	DRAIN LOOP WITH CHECK VALVE (S/P)
5	8533836	SCREW (8) (S/P)
6	3367670	SCREW (S/P)
7	8269145	BRACKET, UNDERCOUNTER (S/P)
8	8269831	WHEEL LEG (S/P)
9	8193716	LEVELER, LEG (S/P)
10	8524473	SPRING, DOOR BALANCE (S/P)
11	8270016	WHEEL & MOUNT ASSEMBLY (S/P)
12	3400892	SCREW (S/P)
13	8268991	COVER, TERMINAL BOX (S/P)
14	8268961	PAD, FRICTION (S/P)
15	304231	SCREW (S/P)
16	8269016	CLIP, GROUNDING (S/P)
17	8573240	SHIELD, SOUND TUB (S/P)
18	3378595	BRACKET, THERMOSTAT (S/P)
19	661566	THERMOSTAT (S/P)
20	8580309	STRIKE, PLATE (S/P)
21	8268990	BUSHING, DOOR SPRING (S/P)
22	3378128	WASHER (S/P)
23	3400014	SCREW (S/P)
24	356138	CLAMP, HOSE (1) (S/P)
25	8269297	MISCELLANEOUS PARTS BAG (S/P)

Distribuidor Autorizado

SurteRápido.com

Venta de Refacciones
Electrodomesticas

DU1100XTPBA PUMP AND MOTOR

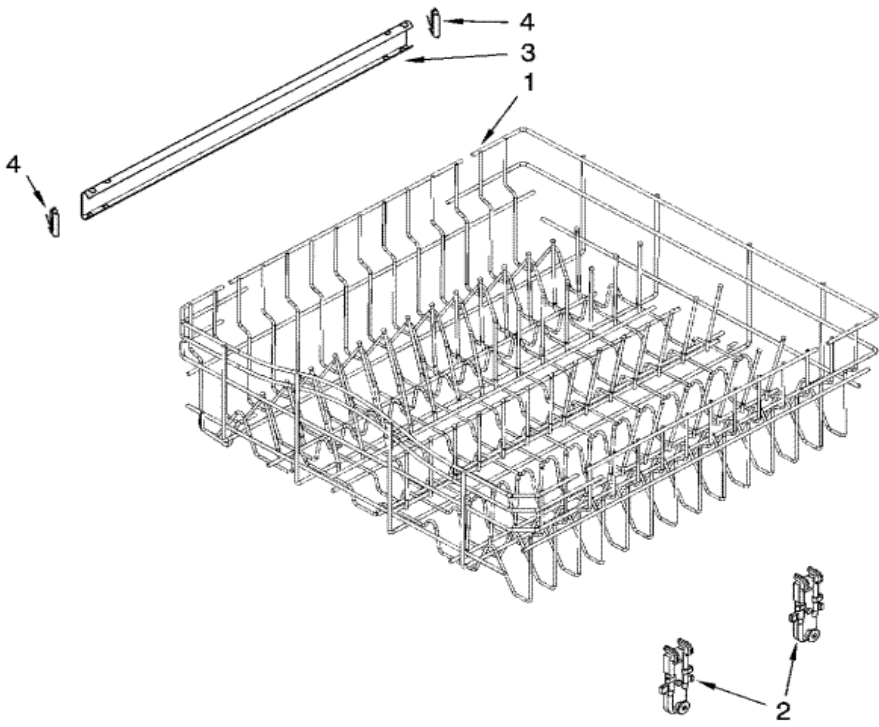




DU1100XTPBA PUMP AND MOTOR

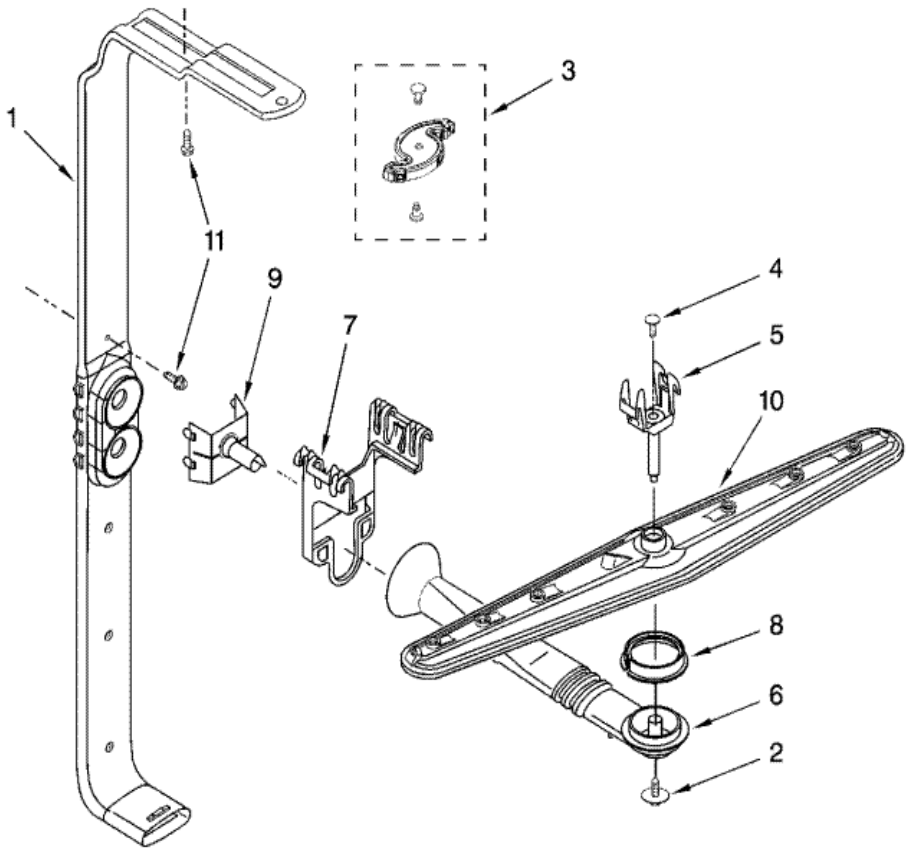
1	8193918	ACCUMULATOR ASSY (S/P)
2	8283527	SHIELD, MOTOR (S/P)
3	3400069	SCREW (S/P)
4	8572618	SUMP WITH SEAL (S/P)
5	8268375	CHECK VALVE, SUMP (S/P)
6	8268383	CHOPPER ASSEMBLY (S/P)
7	9741232	SCREW (S/P)
8	8531857	PROTECTOR, INLET (S/P)
10	8534942	MOTOR ASSEMBLY (S/P)
11	3400217	SCREW (S/P)
12	8268391	SCREEN, SEPARATION (S/P)
14	8572615	SUMP & MOTOR ASSEMBLY (S/P)
15	8269524	TAB, SUMP (S/P)
16	8533949	NUT (S/P)
17	661662	PUMP, DRAIN (S/P)
18	8531019	VOLUTE, BACK (ALSO ORDER ITEMS 23 & 30) (S/P)
19	8269144	HOSE, DRAIN (S/P)
20	8534941	MOTOR (S/P)
21	8268397	SEAL, VOLUTE (S/P)
22	8193951	IMPELLER KIT (ALSO ORDER ITEM 30) (S/P)
23	8193510	FACE SEAL ASSEMBLY (ALSO ORDER ITEM 30) (S/P)
24	356138	CLAMP, HOSE (S/P)
25	W10082647	OPTICAL WATER INDICATOR (S/P)
26	8269507	CAPACITOR (S/P)
27	8534946	SHIELD, CAPACITOR (S/P)
30	8531018	WASHER (S/P)

DU1100XTPBA UPPER RACK AND TRACK



1	8539214	DISHRACK, UPPER (S/P)
2	8268655	MOUNT, WHEEL (S/P)
3	3385089	TRACK, RACK (S/P)
4	8565920	STOP TRACK (S/P)

**DU1100XTPBA UPPER WASH AND
RINSE**

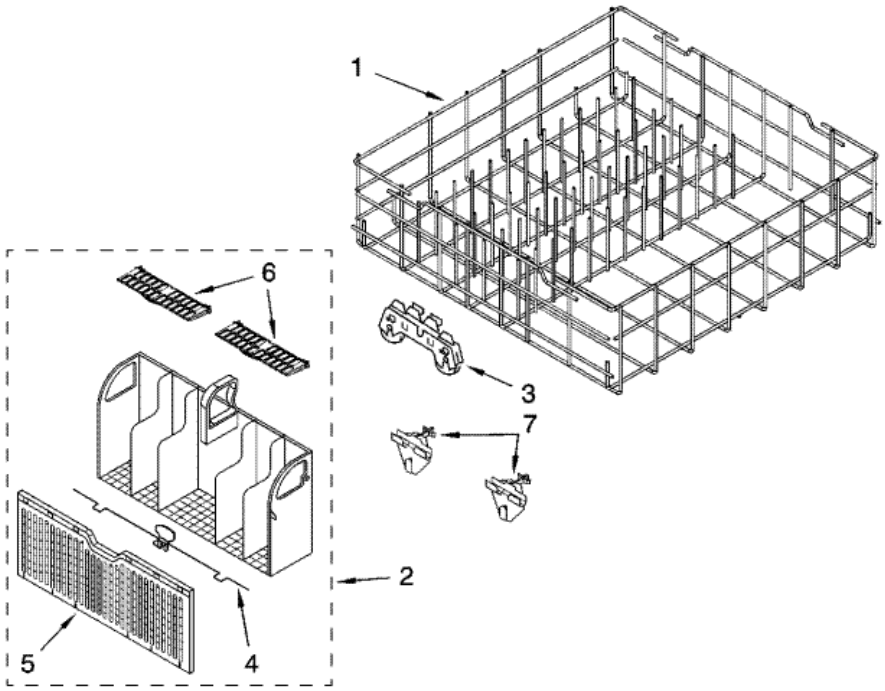




DU1100XTPBA UPPER WASH AND RINSE

1	8558968	FEED TUBE ASSEMBLY (S/P)
2	8533889	SCREW (S/P)
3	8193983	SPINNER, 3RD LEVEL WASH (S/P)
4	3400919	COVER, SCREW (S/P)
5	8268321	MOUNT (S/P)
6	8268326	MANIFOLD (S/P)
7	8268325	HOLDER, FEED TUBE (S/P)
8	8268433	SEAL, SPRAYARM (S/P)
9	8268293	NOZZLE (S/P)
10	8269024	SPRAYARM (S/P)
11	3400850	SCREW (S/P)

DU1100XTPBA LOWER RACK PARTS



1	8193795	LOWER RACK ASSEMBLY (S/P)
2	8535075	SILVERWARE BASKET (S/P)
3	8268645	WHEEL & TRANSPORT ASSEMBLY (S/P)
4	8539118	LATCH ASSEMBLY (S/P)
5	8535077	DOOR, SILVERWARE BASKET (S/P)
6	8535078	LID, SILVERWARE BASKET (S/P)
7	8269308	CLIP, SILVERWARE (S/P)