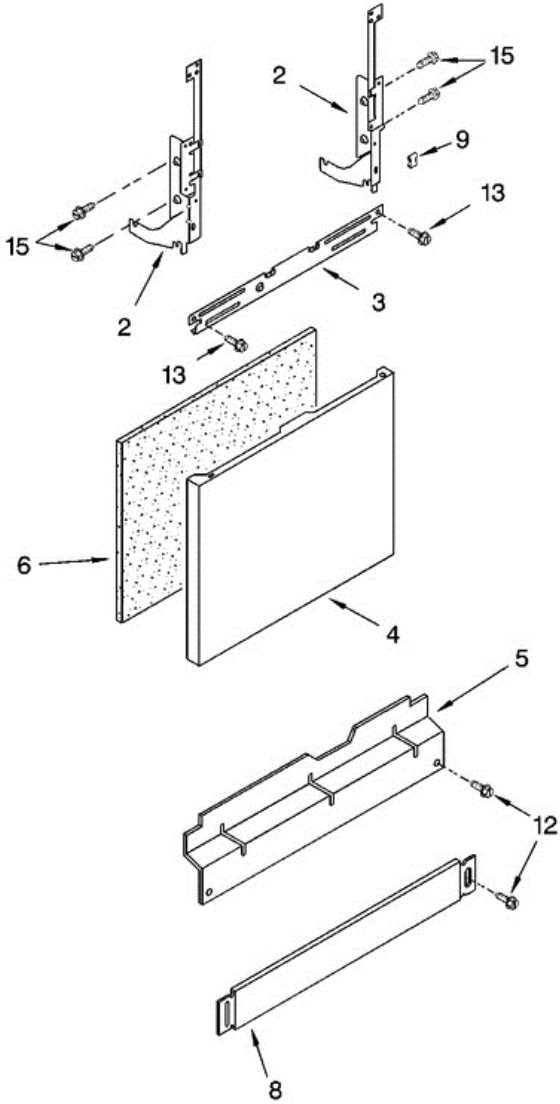


**DU1100XTPS7 DOOR AND PANEL**

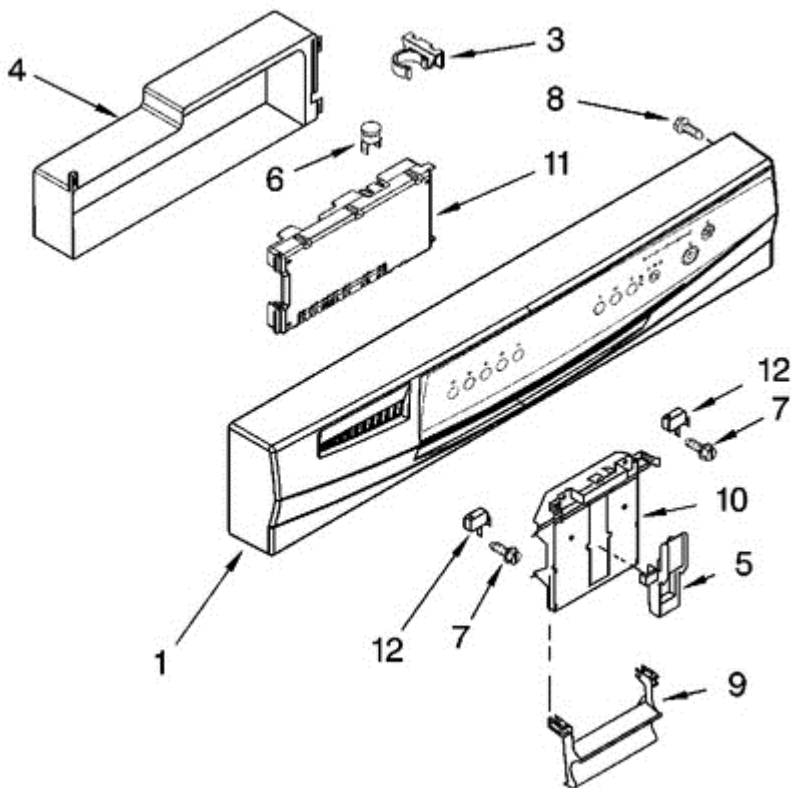




## DU1100XTPS7 DOOR AND PANEL

|    |         |                              |
|----|---------|------------------------------|
| 1  | 8572216 | ENGLISH/FRENCH               |
| 1  | 8572876 | ENERGY GUIDE                 |
| 1  | 8573158 | INSTRUCTIONS, INSTALLATION   |
| 1  | 8575985 | GUIDE, USE & CARE TECH SHEET |
| 2  | 8534857 | ARM, HINGE (RIGHT)           |
| 2  | 8534858 | ARM, HINGE (LEFT)            |
| 3  | 8268983 | STIFFENER, DOOR              |
| 4  | 8269841 | PANEL FRONT (BLACK)          |
| 4  | 8269842 | PANEL FRONT (WHITE)          |
| 4  | 8269844 | PANEL FRONT (BISCUIT)        |
| 4  | 8269845 | PANEL FRONT (STAINLESS)      |
| 5  | 8543834 | ACCESS PANEL (BLACK)         |
| 5  | 8543835 | ACCESS PANEL (WHITE)         |
| 5  | 8543836 | ACCESS PANEL (BISCUIT)       |
| 6  | 8268580 | INSULATION, DOOR             |
| 8  | 8268999 | TOE PANEL (BLACK)            |
| 8  | 8269000 | TOE PANEL (WHITE)            |
| 8  | 8269001 | TOE PANEL (BISCUIT)          |
| 9  | 8269740 | CLIP, GROUNDING              |
| 12 | 302868  | SCREW (BLACK)                |
| 12 | 3400836 | SCREW (WHITE)                |
| 12 | 3400865 | SCREW (BISCUIT)              |
| 13 | 343641  | SCREW                        |
| 15 | 489470  | SCREW                        |

**DU1100XTPS7 CONTROL PANEL**

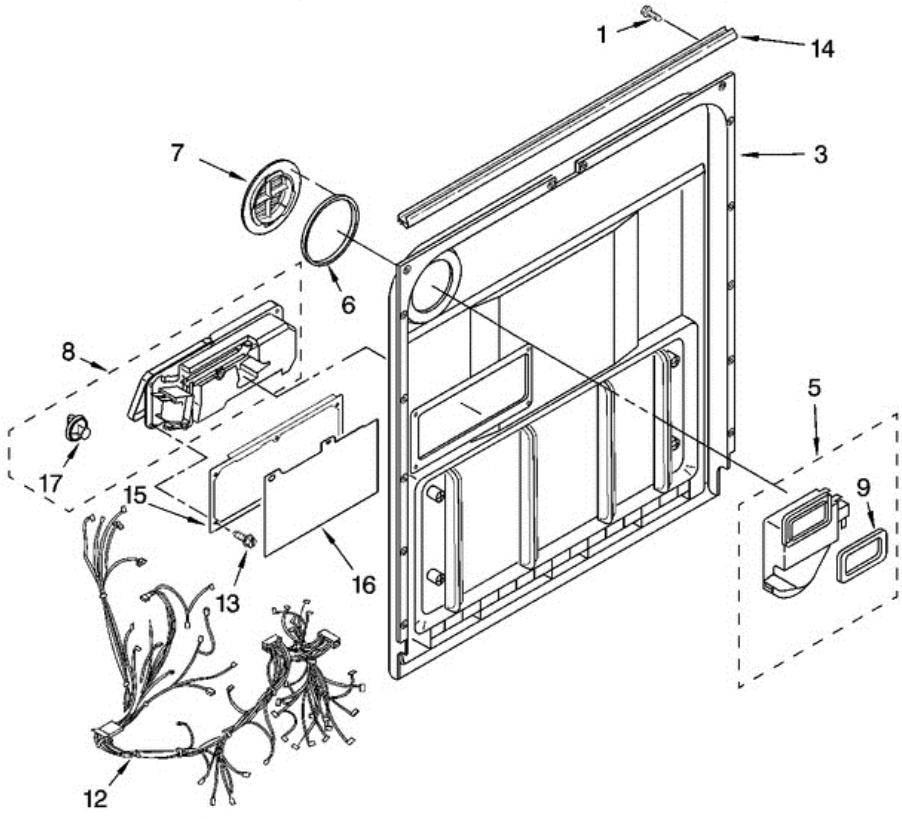




## DU1100XTPS7 CONTROL PANEL

|    |         |   |
|----|---------|---|
| 1  | 8575785 | CONSOLE ASM. (INCL. ACTIVE OVERLAY) (BLACK)   |
| 1  | 8575786 | CONSOLE ASM. (INCL. ACTIVE OVERLAY) (WHITE)   |
| 1  | 8575787 | CONSOLE ASM. (INCL. ACTIVE OVERLAY) (BISCUIT) |
| 3  | 8546546 | CLIP, BI-METAL                                |
| 4  | 8283512 | COVER CONTROL SHIELD ASSEMBLY                 |
| 5  | 8524471 | ACTUATOR, LATCH                               |
| 6  | 661663  | FUSE, THERMAL ELECTRONIC                      |
| 7  | 3400412 | SCREW   |
| 8  | 3369051 | SCREW (6)                                     |
| 9  | 8534984 | HANDLE, LATCH (BLACK)                         |
| 9  | 8534985 | HANDLE, LATCH (WHITE)                         |
| 9  | 8534986 | HANDLE, LATCH (BISCUIT)                       |
| 10 | 8524476 | BOLT, LATCH                                   |
| 11 | 8562997 | CONTROL, ELECTRONIC                           |
| 12 | 8269209 | SWITCH, DOOR                                  |

**DU1100XTPS7 DOOR AND LATCH**

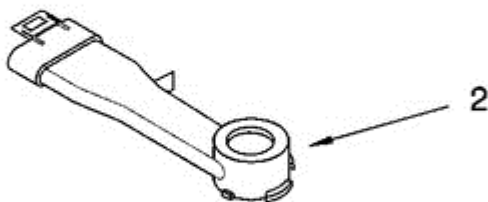
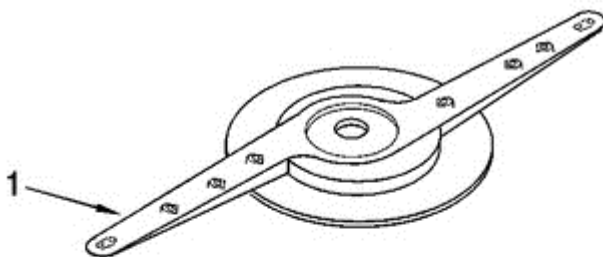




## DU1100XTPS7 DOOR AND LATCH

|    |         |                                     |
|----|---------|-------------------------------------|
| 1  | 3369051 | SCREW, DOOR                         |
| 3  | 8269311 | INNER DOOR (ALSO ORDER ITEM 6)      |
| 5  | 8542603 | VENT ASSEMBLY (ALSO ORDER ITEM 6)   |
| 6  | 8269259 | GASKET, VENT                        |
| 7  | 8542566 | DEFLECTOR, VENT (ALSO ORDER ITEM 6) |
| 8  | 8565816 | DISPENSER, ASSEMBLY                 |
| 9  | 8269258 | SEAL. FRONT                         |
| 12 | 8573175 | WIRING HARNESS MAIN                 |
| 13 | 8281154 | SCREW                               |
| 14 | 8269296 | SEAL, CONSOLE/DOOR                  |
| 15 | 8535637 | BRACKET DISPENSER                   |
| 16 | 8531865 | SHIELD, DISPENSER                   |
| 17 | 8558307 | CAP, RINSE AID                      |

**DU1100XTPS7 LOWER WASHARM**



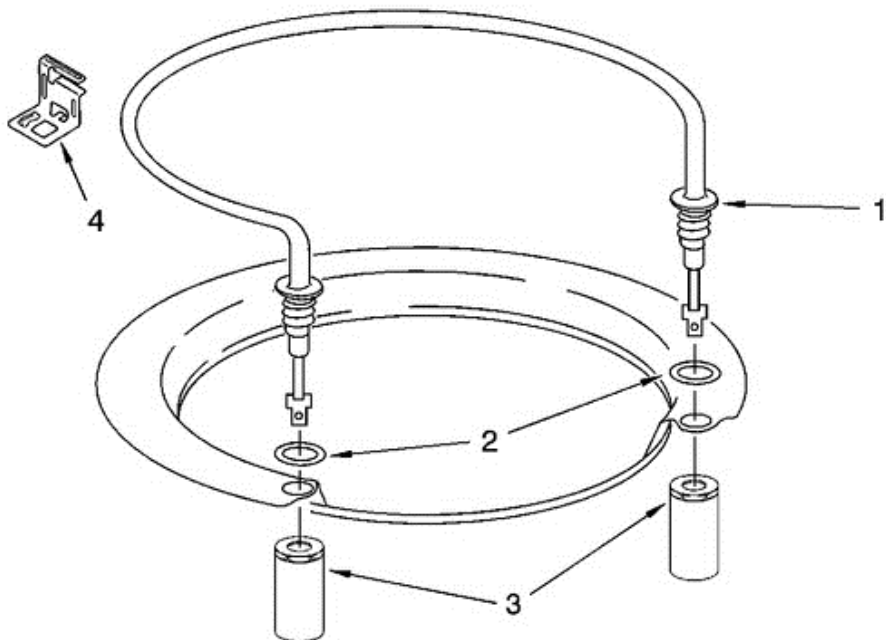


## DU1100XTPS7 LOWER WASHARM

|   |         |   |
|---|---------|---|
| 1 | 8268333 | WASH ARM ASSEMBLY                           |
| 2 | 8268317 | CAP, INTERNAL REAR FEED (ALSO ORDER ITEM 3) |
| 3 | 8268340 | SEAL, SPRAYARM                              |
| 4 | 8268342 | HUB, LOWER SPRAYARM (ALSO ORDER ITEM 3)     |



DU1100XTPS7 HEATER

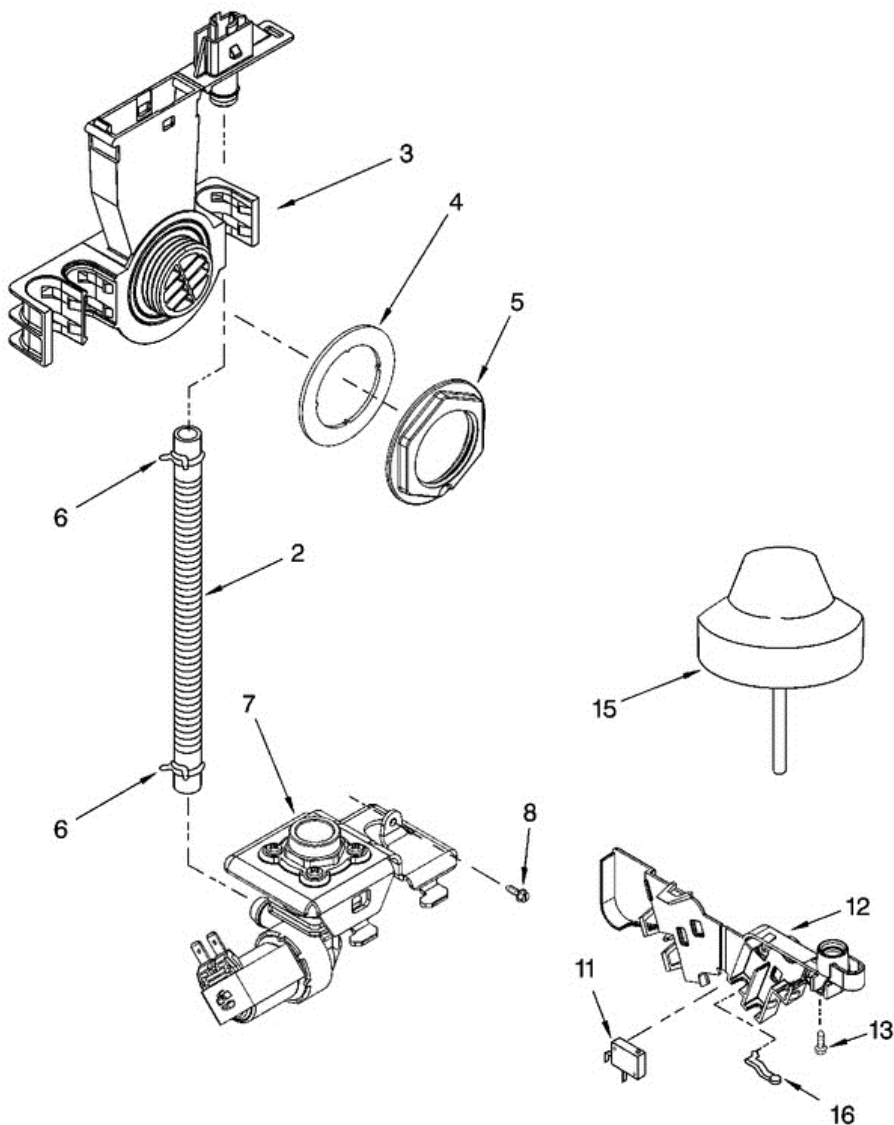




## DU1100XTPS7 HEATER

|   |         |  |
|---|---------|--|
| 1 | 8563007 | HEATER ELEMENT ASSEMBLY (INCLUDES ITEM 2)                |
| 2 | 717273  | WASHER, HEATER ELEMENT                                   |
| 3 | 8268548 | NUT, HEATER ELEMENT                                      |
| 4 | 8269262 | BRACKET, HEATER SUPPORT                                  |
| 4 | N/A     | NOTE: IF HEATER ELEMENT IS REMOVED, IT MUST BE REPLACED. |

**DU1100XTPS7 FILL AND OVERFILL**

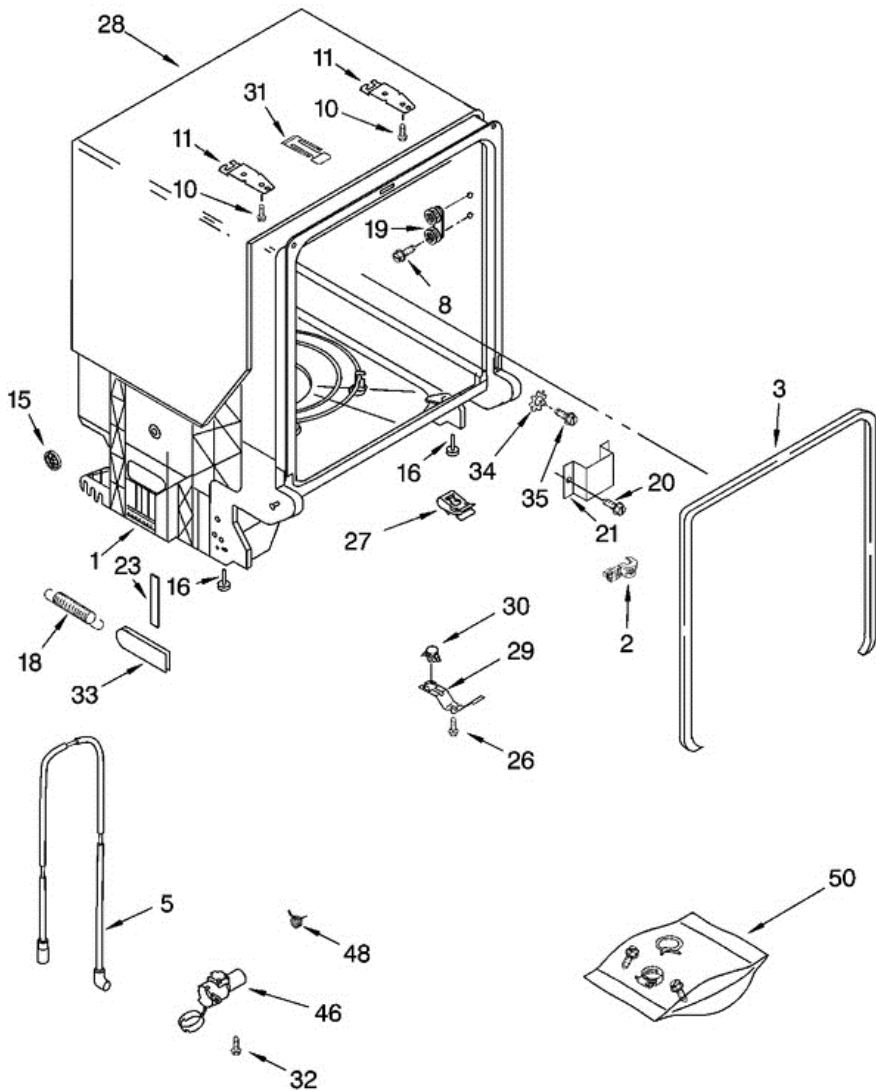




## DU1100XTPS7 FILL AND OVERFILL

|    |         |                                 |
|----|---------|---------------------------------|
| 2  | 8531412 | HOSE, INLET                     |
| 3  | 8531325 | WATER INLET (ALSO ORDER ITEM 4) |
| 4  | 8531323 | GASKET                          |
| 5  | 8531326 | NUT, INLET (ALSO ORDER ITEM 4)  |
| 6  | 371505  | CLAMP, HOSE                     |
| 7  | 8558987 | FILL VALVE ASSEMBLY             |
| 8  | 304392  | SCREW                           |
| 11 | 8268909 | SWITCH, OVERFILL CONTROL        |
| 12 | 8545881 | STANDPIPE, OVERFILL             |
| 13 | 304231  | SCREW                           |
| 15 | 8268913 | FLOAT & RETAINER ASSEMBLY       |
| 16 | 8268892 | LEVER, OVERFLOW SWITCH          |

**DU1100XTPS7 TUB AND FRAME**

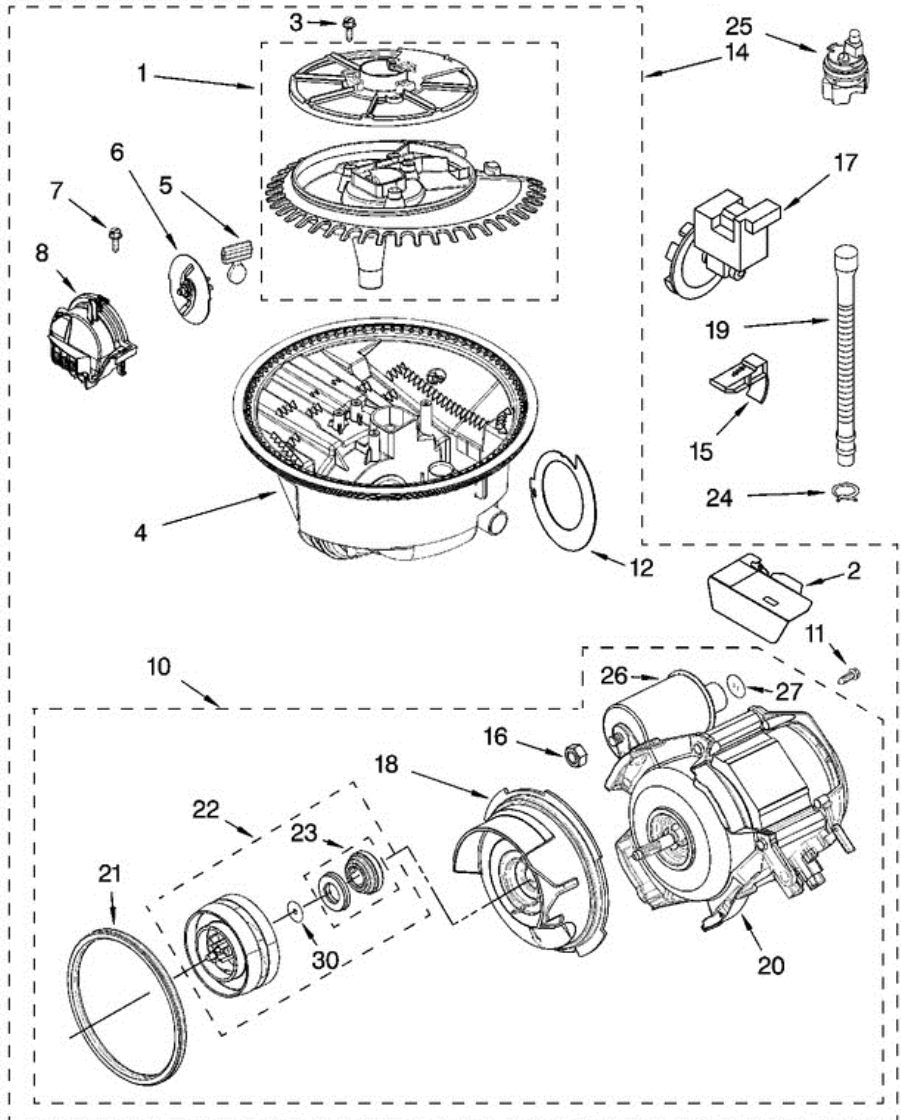




## DU1100XTPS7 TUB AND FRAME

|    |         |                             |
|----|---------|-----------------------------|
| 1  | 8573152 | TUB ASSEMBLY                |
| 2  | 8573061 | STRAIN RELIEF               |
| 3  | 8268888 | DOOR SEAL                   |
| 5  | 8531022 | DRAIN LOOP WITH CHECK VALVE |
| 8  | 8533836 | SCREW (8)                   |
| 10 | 3367670 | SCREW                       |
| 11 | 8269145 | BRACKET, UNDERCOUNTER       |
| 15 | 8269831 | WHEEL, LEG                  |
| 16 | 8524584 | LEVELER, LEG                |
| 18 | 8524473 | SPRING, DOOR BALANCE        |
| 19 | 8270016 | WHEEL & MOUNT ASSEMBLY      |
| 20 | 3400892 | SCREW                       |
| 21 | 8268991 | COVER, TERMINAL BOX         |
| 23 | 8268961 | PAD, FRICTION               |
| 26 | 304231  | SCREW                       |
| 27 | 8269016 | CLIP, GROUNDING             |
| 28 | 8573240 | SHIELD, SOUND TUB           |
| 29 | 3378595 | BRACKET, THERMOSTAT         |
| 30 | 661566  | THERMOSTAT                  |
| 31 | 8269111 | STRIKE, LATCH               |
| 32 | 9741232 | SCREW                       |
| 33 | 8268990 | BUSHING, DOOR SPRING        |
| 34 | 3378128 | WASHER                      |
| 35 | 3400014 | SCREW                       |
| 46 | 8542575 | SWITCH, PRESSURE            |
| 48 | 356138  | CLAMP, HOSE (1)             |
| 50 | 8269297 | MISCELLANEOUS PARTS BAG     |

**DU1100XTPS7 PUMP AND MOTOR**



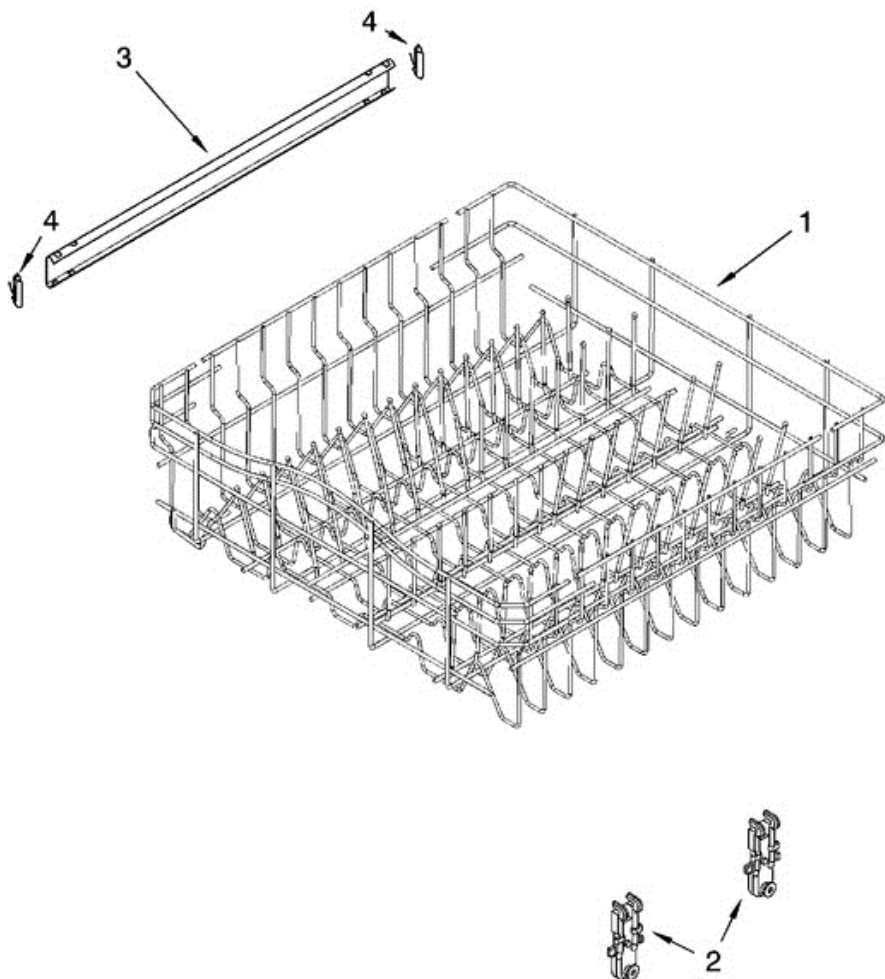


## DU1100XTPS7 PUMP AND MOTOR

|    |         |   |
|----|---------|---|
| 1  | 8534952 | ACCUMULATOR ASSY                        |
| 2  | 8283527 | SHIELD, MOTOR                           |
| 3  | 3400069 | SCREW                                   |
| 4  | 8572618 | SUMP WITH SEAL                          |
| 5  | 8268375 | CHECK VALVE, SUMP                       |
| 6  | 8268383 | CHOPPER ASSEMBLY                        |
| 7  | 9741232 | SCREW                                   |
| 8  | 8531857 | PROTECTOR, INLET                        |
| 10 | 8534942 | MOTOR ASSEMBLY                          |
| 11 | 3400217 | SCREW                                   |
| 12 | 8268391 | SCREEN, SEPARATION                      |
| 14 | 8572615 | SUMP & MOTOR ASSEMBLY                   |
| 15 | 8269524 | TAB, SUMP                               |
| 16 | 8533949 | NUT                                     |
| 17 | 661662  | PUMP, DRAIN                             |
| 18 | 8531019 | VOLUTE, BACK (ALSO ORDER ITEMS 23 & 30) |
| 19 | 8269144 | HOSE, DRAIN                             |
| 20 | 8534941 | MOTOR                                   |
| 21 | 8268397 | SEAL, VOLUTE                            |
| 22 | 8531017 | IMPELLER KIT (ALSO ORDER ITEM 30)       |
| 23 | 8268403 | FACE SEAL ASSEMBLY (ALSO ORDER ITEM 30) |
| 24 | 356138  | CLAMP, HOSE                             |
| 25 | 8563432 | OPTICAL WATER INDICATOR                 |
| 26 | 8269507 | CAPACITOR                               |
| 27 | 8534946 | SHIELD, CAPACITOR                       |
| 30 | 8531018 | WASHER                                  |



## DU1100XTPS7 UPPER RACK AND TRACK

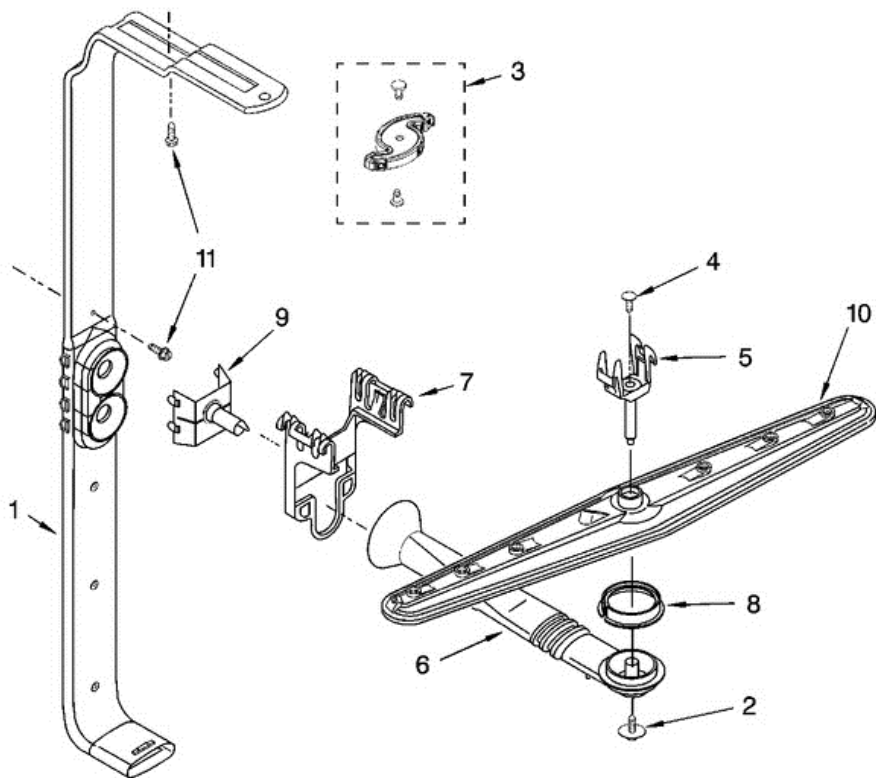




## DU1100XTPS7 UPPER RACK AND TRACK

|   |         |                 |
|---|---------|-----------------|
| 1 | 8539214 | DISHRACK, UPPER |
| 2 | 8268655 | MOUNT, WHEEL    |
| 3 | 3385089 | TRACK, RACK     |
| 4 | 8524581 | STOP, TRACK     |

**DU1100XTPS7 UPPER WASH AND  
RINSE**

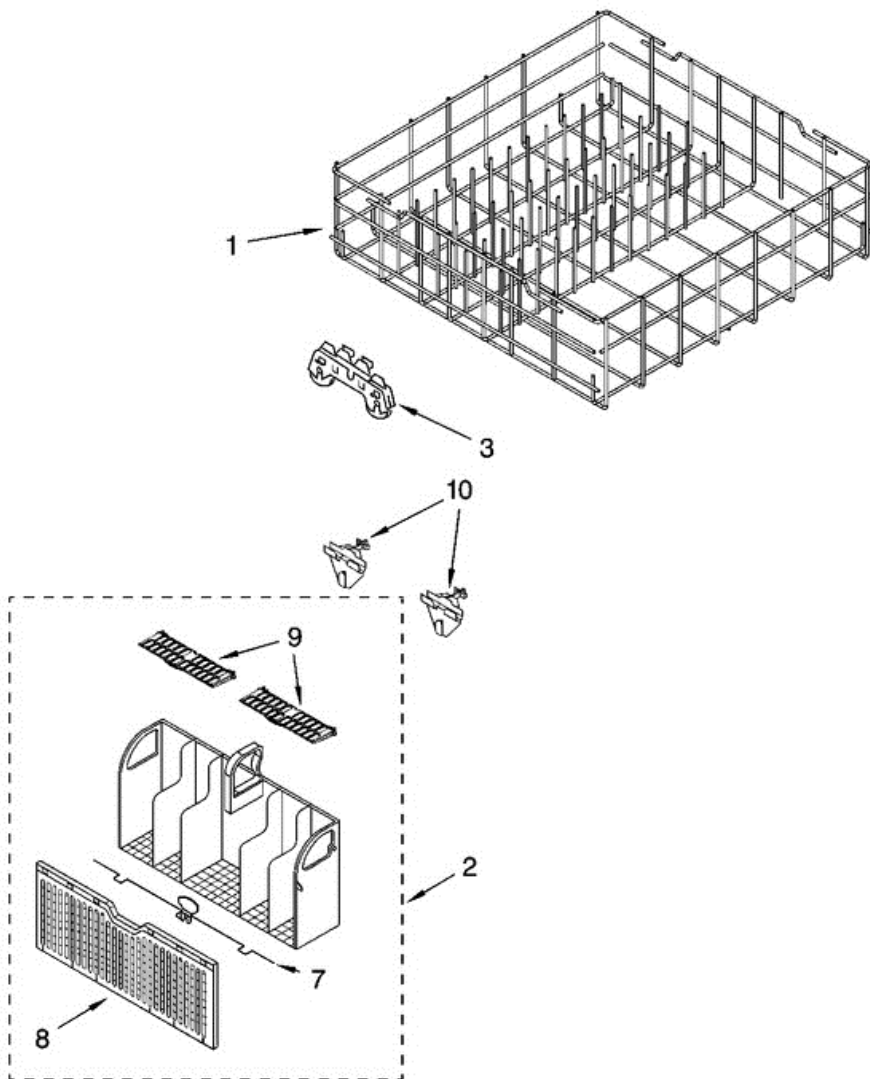




## DU1100XTPS7 UPPER WASH AND RINSE

|    |         |  |
|----|---------|--|
| 1  | 8558968 | FEED TUBE ASSEMBLY (ALSO INCLUDES ITEMS 3 & 9) |
| 2  | 8533889 | SCREW  |
| 3  | 8557720 | SPINNER, 3RD LEVEL WASH                        |
| 4  | 3400919 | COVER, SCREW                                   |
| 5  | 8268321 | MOUNT  |
| 6  | 8268326 | MANIFOLD                                       |
| 7  | 8268325 | HOLDER, FEED TUBE                              |
| 8  | 8268433 | SEAL, SPRAYARM                                 |
| 9  | 8268293 | NOZZLE   |
| 10 | 8269024 | SPRAYARM                                       |
| 11 | 3400850 | SCREW  |

## DU1100XTPS7 LOWER RACK





## DU1100XTPS7 LOWER RACK

|    |         |                                       |
|----|---------|---------------------------------------|
| 1  | 8539259 | LOWER RACK ASSEMBLY (INCLUDES ITEM 3) |
| 2  | 8535075 | SILVERWARE BASKET                     |
| 3  | 8268645 | WHEEL & TRANSPORT ASSEMBLY            |
| 7  | 8539118 | LATCH ASSEMBLY                        |
| 8  | 8535077 | DOOR, SILVERWARE BASKET               |
| 9  | 8535078 | LID, SILVERWARE BASKET                |
| 10 | 8269308 | CLIP, SILVERWARE BASKET               |