



Denek

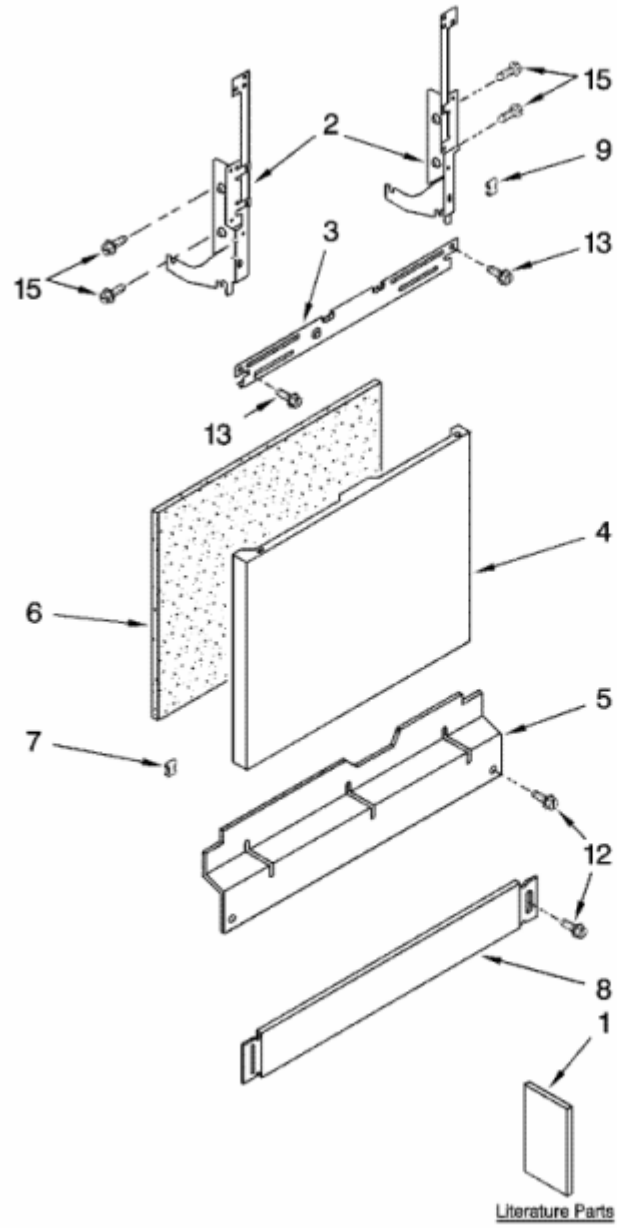
Benito Juárez 1500 Fracc. Zitoón, Guadalupe N.L.
Tels: 83-37-79-99 y 49 Sin costo: 01-800-872-79-99
Fax: 01-800-872-16-11 Sin costo: 01-800-87-16-10
www.denek.com e-mail: ventas@denek.com

WHIRLPOOL

LAVAVAJILLAS

DU1100XTPSA

PUERTA Y PANEL





Denek

Benito Juárez 1500 Fracc. Zitoón, Guadalupe N.L.
Tels: 83-37-79-99 y 49 Sin costo: 01-800-872-79-99
Fax: 01-800-872-16-11 Sin costo: 01-800-87-16-10
www.denek.com e-mail: ventas@denek.com

WHIRLPOOL

LAVAVAJILLAS

DU1100XTPSA

PUERTA Y PANEL

NUMERO	N. DE PARTE	DESCRIPCION
1	8575348	Instructions, Installation
1	W10082651	Tech Sheet
1	W10073760	Guide, Use & Care
1	W10102783	Energy Guide
2	8534857	Arm, Hinge (Right)
2	8534858	Arm, Hinge (Left)
3	8268983	Stiffener, Door
4	8269845	Panel Front (Includes 7) (Stainless)
4	W10073200	Panel Front (Includes 7) (Black)
4	W10073210	Panel Front (Includes 7) (White)
4	W10073220	Panel Front (Includes 7) (Biscuit)
5	8573257	Access Panel (Biscuit)
5	8573255	Access Panel (Black)
5	8573256	Access Panel (White)
6	8268580	Insulation, Door
7	8269016	Clip, Ground
8	8573286	Toe Panel (Includes Clip) (Black)
8	8573287	Toe Panel (Includes Clip) (White)
8	8573288	Toe Panel (Includes Clip) (Biscuit)
9	8269740	Clip, Grounding
12	302868	Screw (Black)
12	3400836	Screw (White)
12	3400865	Screw (Biscuit)
13	343641	Screw
15	489470	SCREW



Denek

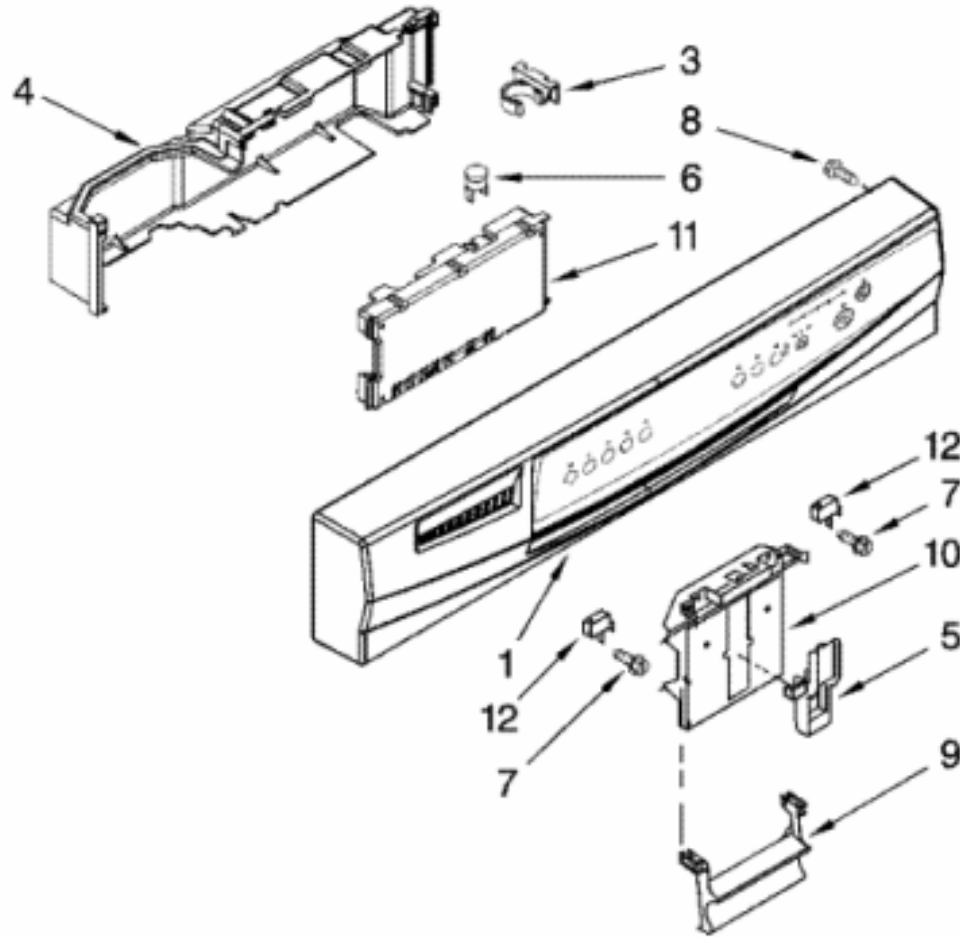
Benito Juárez 1500 Fracc. Zitoón, Guadalupe N.L.
Tels: 83-37-79-99 y 49 Sin costo: 01-800-872-79-99
Fax: 01-800-872-16-11 Sin costo: 01-800-87-16-10
www.denek.com e-mail: ventas@denek.com

WHIRLPOOL

LAVAVAJILLAS

DU1100XTPSA

PANEL DE CONTROL





Denek

Benito Juárez 1500 Fracc. Zitoón, Guadalupe N.L.
Tels: 83-37-79-99 y 49 Sin costo: 01-800-872-79-99
Fax: 01-800-872-16-11 Sin costo: 01-800-87-16-10
www.denek.com e-mail: ventas@denek.com

WHIRLPOOL

LAVAVAJILLAS

DU1100XTPSA

PANEL DE CONTROL

NUMERO	N. DE PARTE	DESCRIPCION
1	W10102850	Console Asm. (Includes Active Overlay & Insert) (Black)
1	W10102851	Console Asm. (Includes Active Overlay & Insert) (White)
1	W10102852	Console Asm. (Includes Active Overlay & Insert) (Biscuit)
3	8546546	Clip, BI-Metal
4	W10056090	Cover Control Shield Assembly
5	8524471	Actuator, Latch
6	661663	BI-Metal
7	3400412	SCREW
8	3369051	Screw (6)
9	8534986	Handle, Latch (Biscuit)
9	8534984	Handle, Latch (Black)
9	8534985	Handle, Latch (White)
10	8524476	Bolt, Latch
11	8575277	Control, Electronic
12	8269209	Switch, Door



Denek

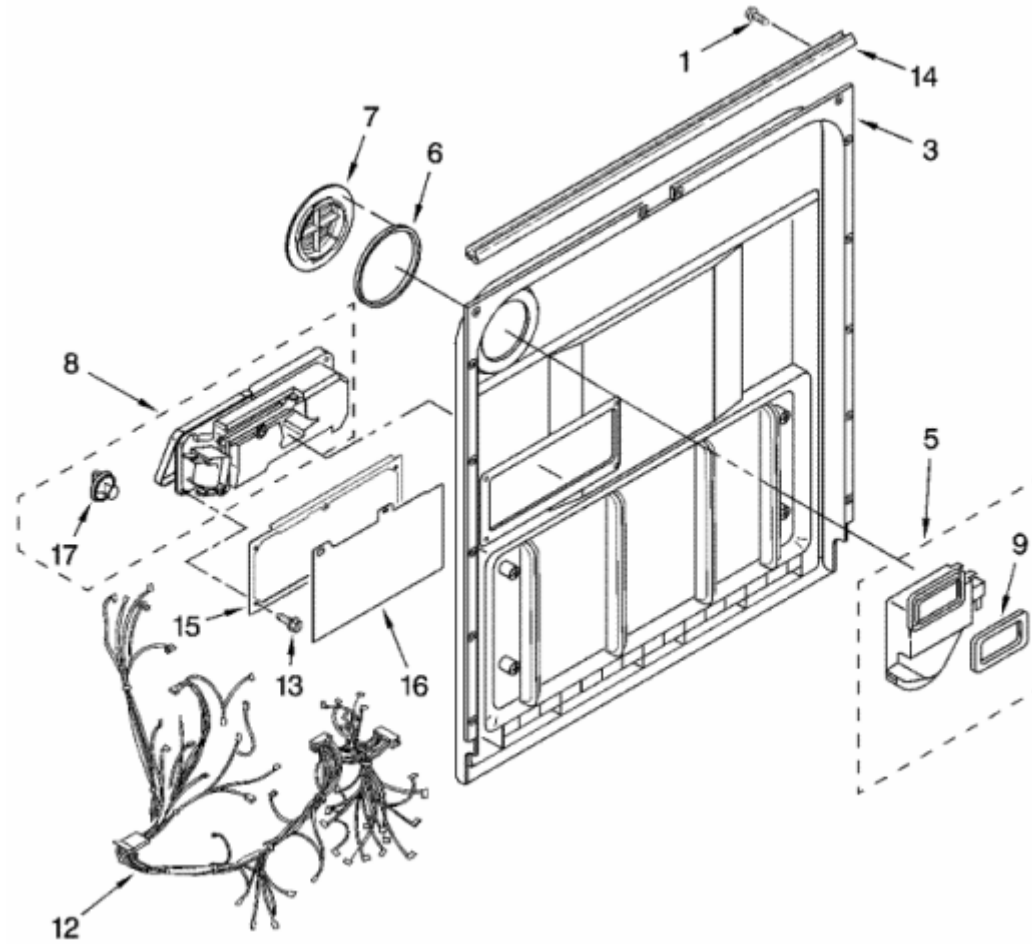
Benito Juárez 1500 Fracc. Zitoón, Guadalupe N.L.
Tels: 83-37-79-99 y 49 Sin costo: 01-800-872-79-99
Fax: 01-800-872-16-11 Sin costo: 01-800-87-16-10
www.denek.com e-mail: ventas@denek.com

WHIRLPOOL

LAVAVAJILLAS

DU1100XTPSA

PUERTA





Denek

Benito Juárez 1500 Fracc. Zitoón, Guadalupe N.L.
Tels: 83-37-79-99 y 49 Sin costo: 01-800-872-79-99
Fax: 01-800-872-16-11 Sin costo: 01-800-87-16-10
www.denek.com e-mail: ventas@denek.com

WHIRLPOOL

LAVAVAJILLAS

DU1100XTPSA

PUERTA

NUMERO	N. DE PARTE	DESCRIPCION
1	3369051	Screw, Door
3	8269311	Inner Door (Also Order Item 6)
5	8542603	Vent Assembly (Also Order Item 6)
6	8269259	Gasket, Vent
7	8542566	Deflector, Vent (Also Order Item 6)
8	8565814	Dispenser, Assembly
9	8269258	Seal, Front
12	8573175	Wiring Harness Main
13	8281154	Screw
14	8269296	Seal, Console/door
15	8535637	Bracket, Dispenser
16	8531865	Shield, Dispenser
17	8558307	Cap, Rinse Aid



Denek

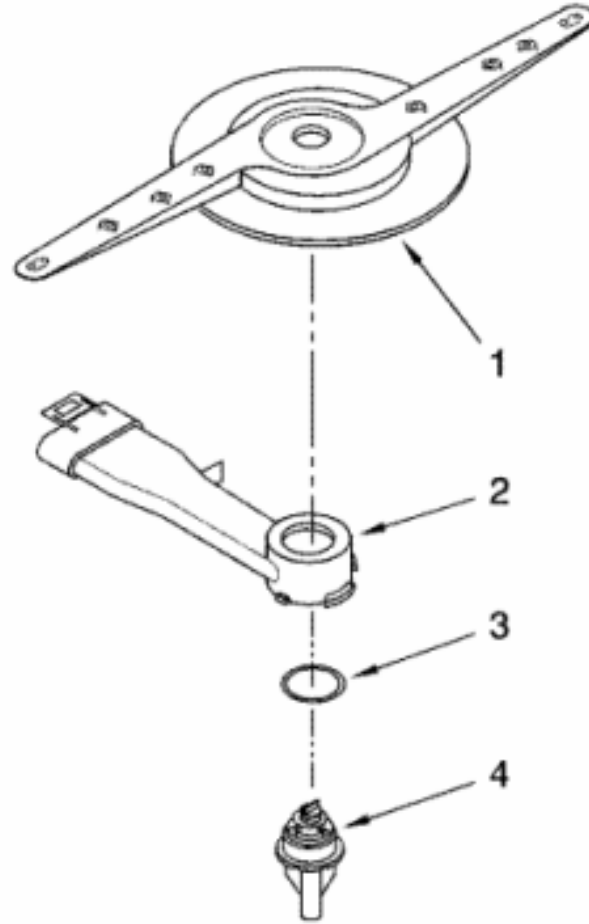
Benito Juárez 1500 Fracc. Zitoón, Guadalupe N.L.
Tels: 83-37-79-99 y 49 Sin costo: 01-800-872-79-99
Fax: 01-800-872-16-11 Sin costo: 01-800-87-16-10
www.denek.com e-mail: ventas@denek.com

WHIRLPOOL

LAVAVAJILLAS

DU1100XTPSA

PARTE INFERIOR DEL BRAZO DE LAVADO





Denek

Benito Juárez 1500 Fracc. Zitoón, Guadalupe N.L.
Tels: 83-37-79-99 y 49 Sin costo: 01-800-872-79-99
Fax: 01-800-872-16-11 Sin costo: 01-800-87-16-10
www.denek.com e-mail: ventas@denek.com

WHIRLPOOL

LAVAVAJILLAS

DU1100XTPSA

PARTE INFERIOR DEL BRAZO DE LAVADO

NUMERO	N. DE PARTE	DESCRIPCION
1	8268333	Wash Arm Assembly
2	8268317	Cap, Internal Rear Feed (Also Order Item 3)
3	8268340	Seal, Sprayarm
4	8268342	Hub, Lower Sprayarm (Also Order Item 3)



Denek

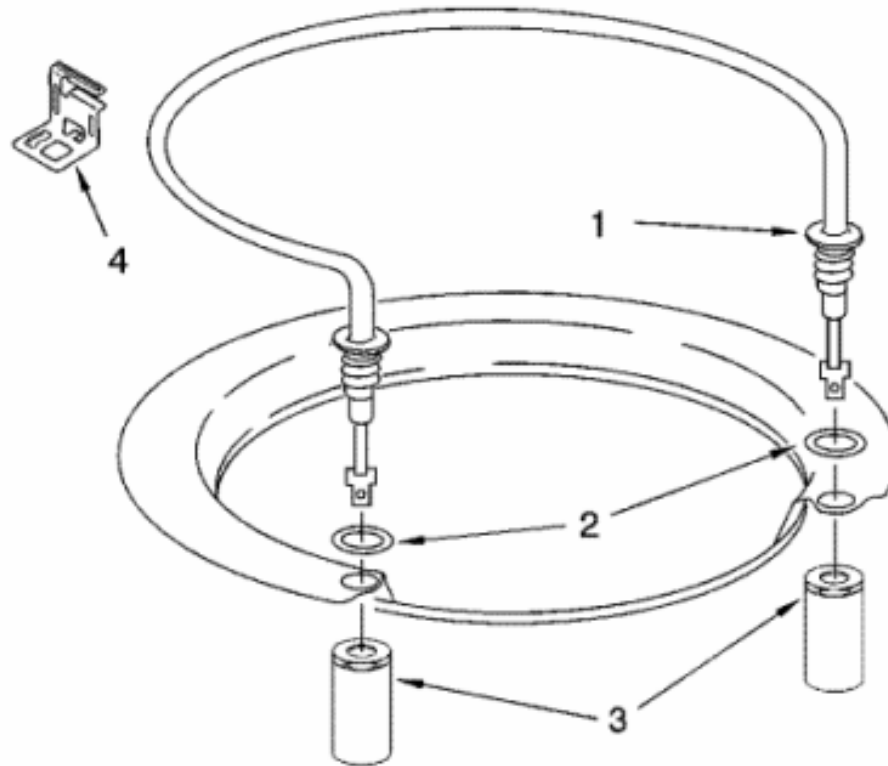
Benito Juárez 1500 Fracc. Zitoón, Guadalupe N.L.
Tels: 83-37-79-99 y 49 Sin costo: 01-800-872-79-99
Fax: 01-800-872-16-11 Sin costo: 01-800-87-16-10
www.denek.com e-mail: ventas@denek.com

WHIRLPOOL

LAVAVAJILLAS

DU1100XTPSA

QUEMADOR





Denek

Benito Juárez 1500 Fracc. Zitoón, Guadalupe N.L.
Tels: 83-37-79-99 y 49 Sin costo: 01-800-872-79-99
Fax: 01-800-872-16-11 Sin costo: 01-800-87-16-10
www.denek.com e-mail: ventas@denek.com

WHIRLPOOL

LAVAVAJILLAS

DU1100XTPSA

QUEMADOR

NUMERO	N. DE PARTE	DESCRIPCION
1	8563007	Heater Element Assembly (Also Includes Item 2)
2	717273	Washer, Heater Element
3	8268548	Nut, Heater Element
4		NOTE: If heater element is removed, it must be replaced.
4	8269262	Bracket, Heater Support



Denek

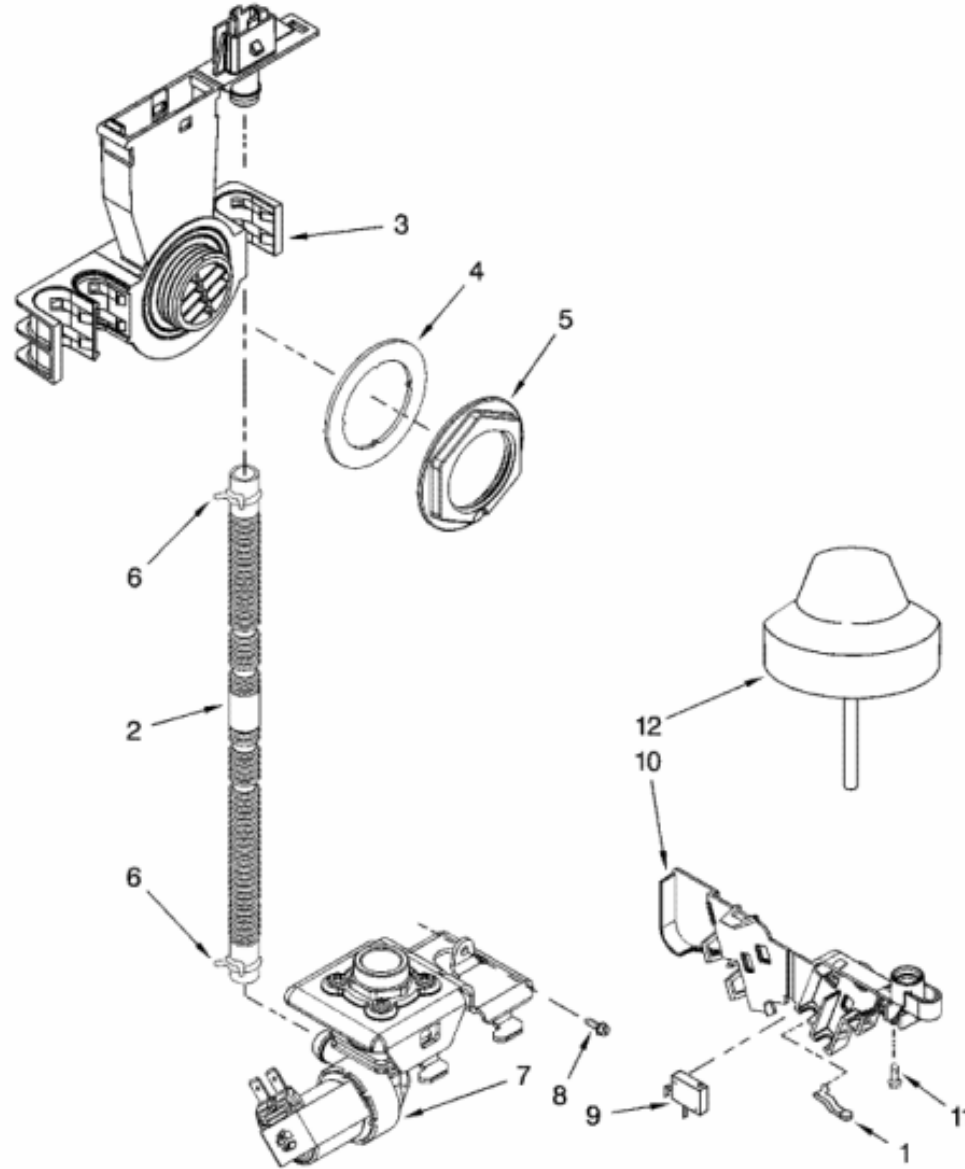
Benito Juárez 1500 Fracc. Zitoón, Guadalupe N.L.
Tels: 83-37-79-99 y 49 Sin costo: 01-800-872-79-99
Fax: 01-800-872-16-11 Sin costo: 01-800-87-16-10
www.denek.com e-mail: ventas@denek.com

WHIRLPOOL

LAVAVAJILLAS

DU1100XTPSA

PARTES DE LLENADO Y DESCARGA





Denek

Benito Juárez 1500 Fracc. Zitoón, Guadalupe N.L.
Tels: 83-37-79-99 y 49 Sin costo: 01-800-872-79-99
Fax: 01-800-872-16-11 Sin costo: 01-800-87-16-10
www.denek.com e-mail: ventas@denek.com

WHIRLPOOL

LAVAVAJILLAS

DU1100XTPSA

PARTES DE LLENADO Y DESCARGA

NUMERO	N. DE PARTE	DESCRIPCION
1	8268892	Lever, Overflow Switch
2	8531412	Hose, Inlet
3	8531325	Water Inlet (Also Order Item 4)
4	8531323	Gasket
5	8531326	Nut, Inlet (Also Order Item 4)
6	371505	Clamp, Hose
7	8563405	Fill Valve Assembly
8	304392	Screw
9	8268909	Switch, Overfill Control
10	8545881	Standpipe, Overfill
11	304231	Screw
12	8268913	Float & Retainer Assembly



Denek

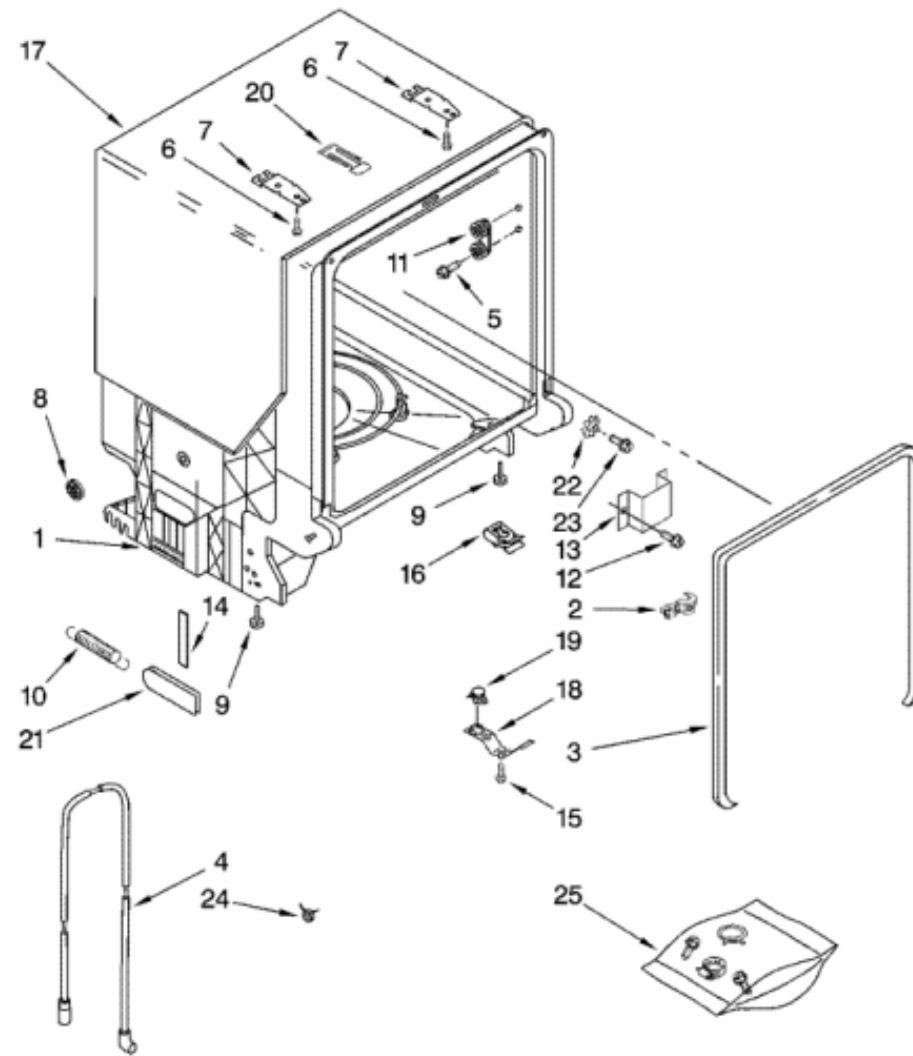
Benito Juárez 1500 Fracc. Zitoón, Guadalupe N.L.
Tels: 83-37-79-99 y 49 Sin costo: 01-800-872-79-99
Fax: 01-800-872-16-11 Sin costo: 01-800-87-16-10
www.denek.com e-mail: ventas@denek.com

WHIRLPOOL

LAVAVAJILLAS

DU1100XTPSA

PARTES DEL CUADRO





Denek

Benito Juárez 1500 Fracc. Zitoón, Guadalupe N.L.
Tels: 83-37-79-99 y 49 Sin costo: 01-800-872-79-99
Fax: 01-800-872-16-11 Sin costo: 01-800-87-16-10
www.denek.com e-mail: ventas@denek.com

WHIRLPOOL

LAVAVAJILLAS

DU1100XTPSA

PARTES DEL CUADRO

NUMERO	N. DE PARTE	DESCRIPCION
1	W10008370	Tub Assembly
2	8573061	Strain Relief
3	8268888	Door Seal
4	8531022	Drain Loop With Check Valve
5	8533836	Screw (8)
6	3367670	Screw
7	8269145	Bracket, Undercounter
8	8269831	Wheel Leg
9	8524584	Leveler, Leg
10	8524473	Spring, Door Balance
11	8270016	Wheel & Mount Assembly
12	3400892	Screw
13	8268991	Cover, Terminal Box
14	8268961	Pad, Friction
15	304231	Screw
16	8269016	Clip, Grounding
17	8573240	Shield, Sound Tub
18	3378595	Bracket, Thermostat
19	661566	Thermostat
20	8580309	Strike, Plate
21	8268990	Bushing, Door Spring
22	3378128	Washer
23	3400014	Screw
24	356138	Clamp, Hose (1)
25	8269297	Miscellaneous Parts Bag (Includes 2 Screws & 2 Hose Clamps)



Denek

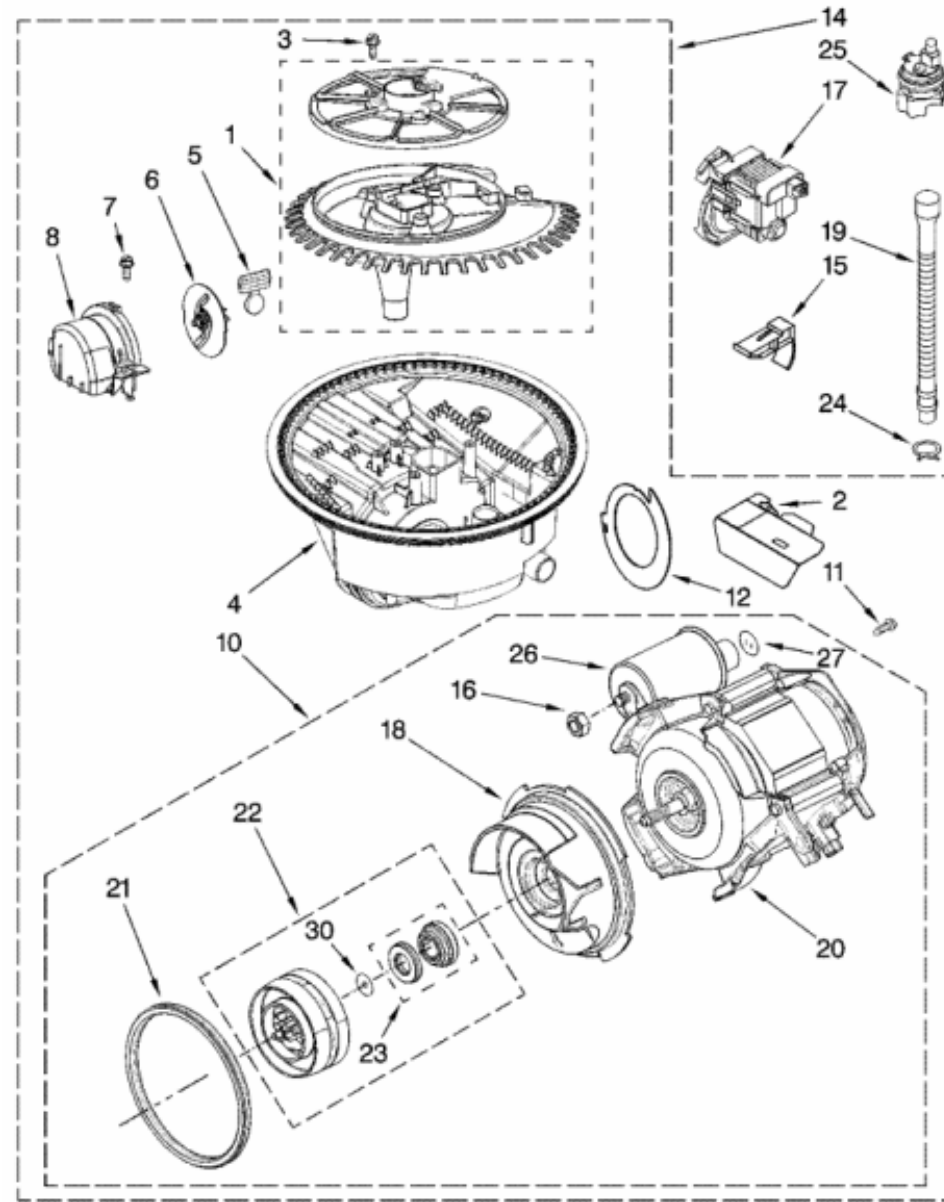
Benito Juárez 1500 Fracc. Zitoón, Guadalupe N.L.
Tels: 83-37-79-99 y 49 Sin costo: 01-800-872-79-99
Fax: 01-800-872-16-11 Sin costo: 01-800-87-16-10
www.denek.com e-mail: ventas@denek.com

WHIRLPOOL

LAVAVAJILLAS

DU1100XTPSA

BOMBA Y PARTES DE EL MOTOR





Denek

Benito Juárez 1500 Fracc. Zitoón, Guadalupe N.L.
Tels: 83-37-79-99 y 49 Sin costo: 01-800-872-79-99
Fax: 01-800-872-16-11 Sin costo: 01-800-87-16-10
www.denek.com e-mail: ventas@denek.com

WHIRLPOOL

LAVAVAJILLAS

DU1100XTPSA

BOMBA Y PARTES DE EL MOTOR

NUMERO	N. DE PARTE	DESCRIPCION
1	8534952	Accumulator Assy
2	8283527	Shield, Motor
3	3400069	Screw
4	8572618	Sump With Seal
5	8268375	Check Valve, Sump
6	8268383	Chopper Assembly
7	9741232	Screw
8	8531857	Protector, Inlet
10	8534942	Motor Assembly
11	3400217	Screw
12	8268391	Screen, Separation
14	8572615	Sump & Motor Assembly
15	8269524	Tab, Sump
16	8533949	Nut
17	661662	Pump, Drain
18	8531019	Volute, Back (Also Order Items 23 & 30)
19	8269144	Hose, Drain
20	8534941	Motor
21	8268397	Seal, Volute
22	8531017	Impeller Kit (Also Order Item 30)
23	8268403	Face Seal Assembly (Also Order Item 30)
24	356138	Clamp, Hose
25	W10082647	Optical Water Indicator
26	8269507	Capacitor
27	8534946	Shield, Capacitor
30	8531018	Washer



Denek

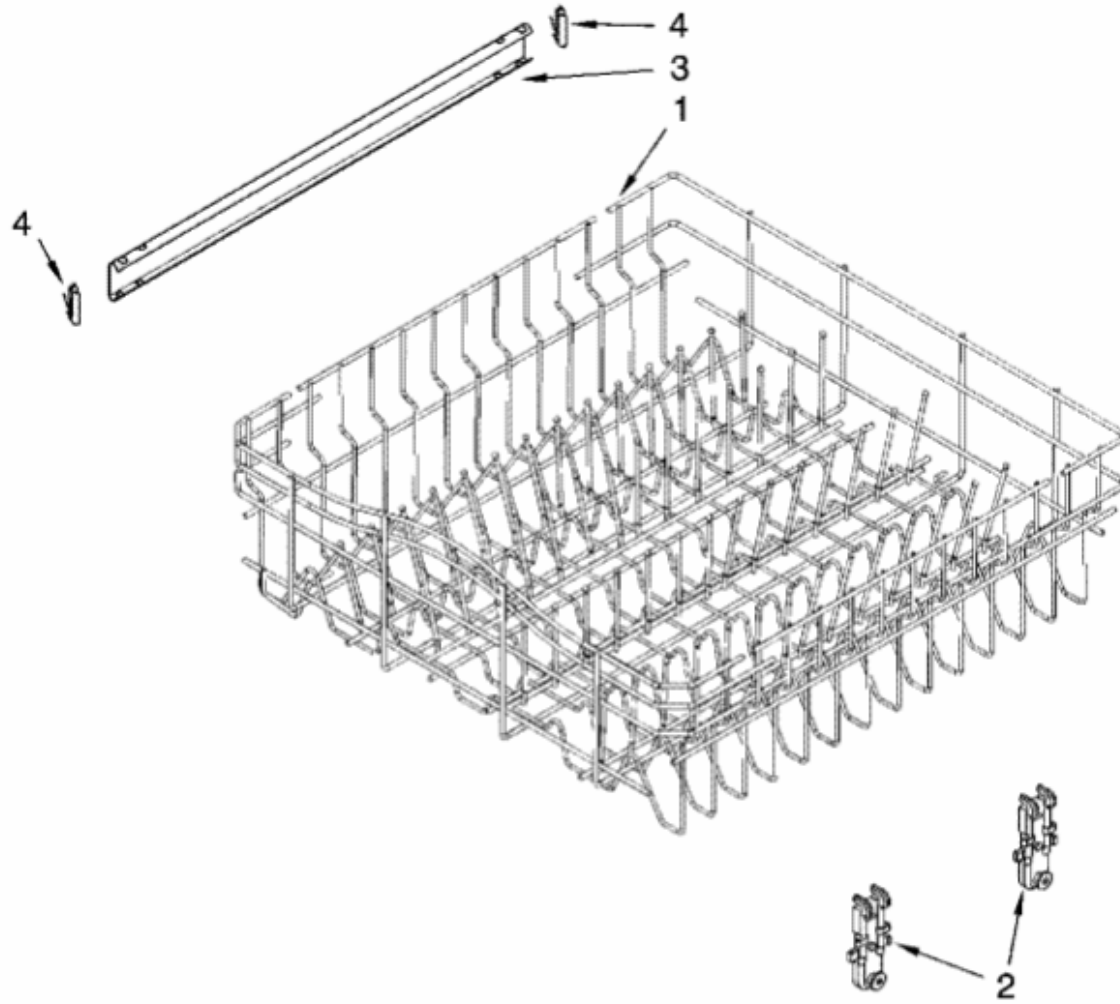
Benito Juárez 1500 Fracc. Zitoón, Guadalupe N.L.
Tels: 83-37-79-99 y 49 Sin costo: 01-800-872-79-99
Fax: 01-800-872-16-11 Sin costo: 01-800-87-16-10
www.denek.com e-mail: ventas@denek.com

WHIRLPOOL

LAVAVAJILLAS

DU1100XTPSA

CANASTILLA





Denek

Benito Juárez 1500 Fracc. Zitoón, Guadalupe N.L.
Tels: 83-37-79-99 y 49 Sin costo: 01-800-872-79-99
Fax: 01-800-872-16-11 Sin costo: 01-800-87-16-10
www.denek.com e-mail: ventas@denek.com

WHIRLPOOL

LAVAVAJILLAS

DU1100XTPSA

CANASTILLA

NUMERO	N. DE PARTE	DESCRIPCION
1	8539214	Dishrack, Upper
2	8268655	Mount, Wheel
3	3385089	Track, Rack
4	8565920	Stop Track



Denek

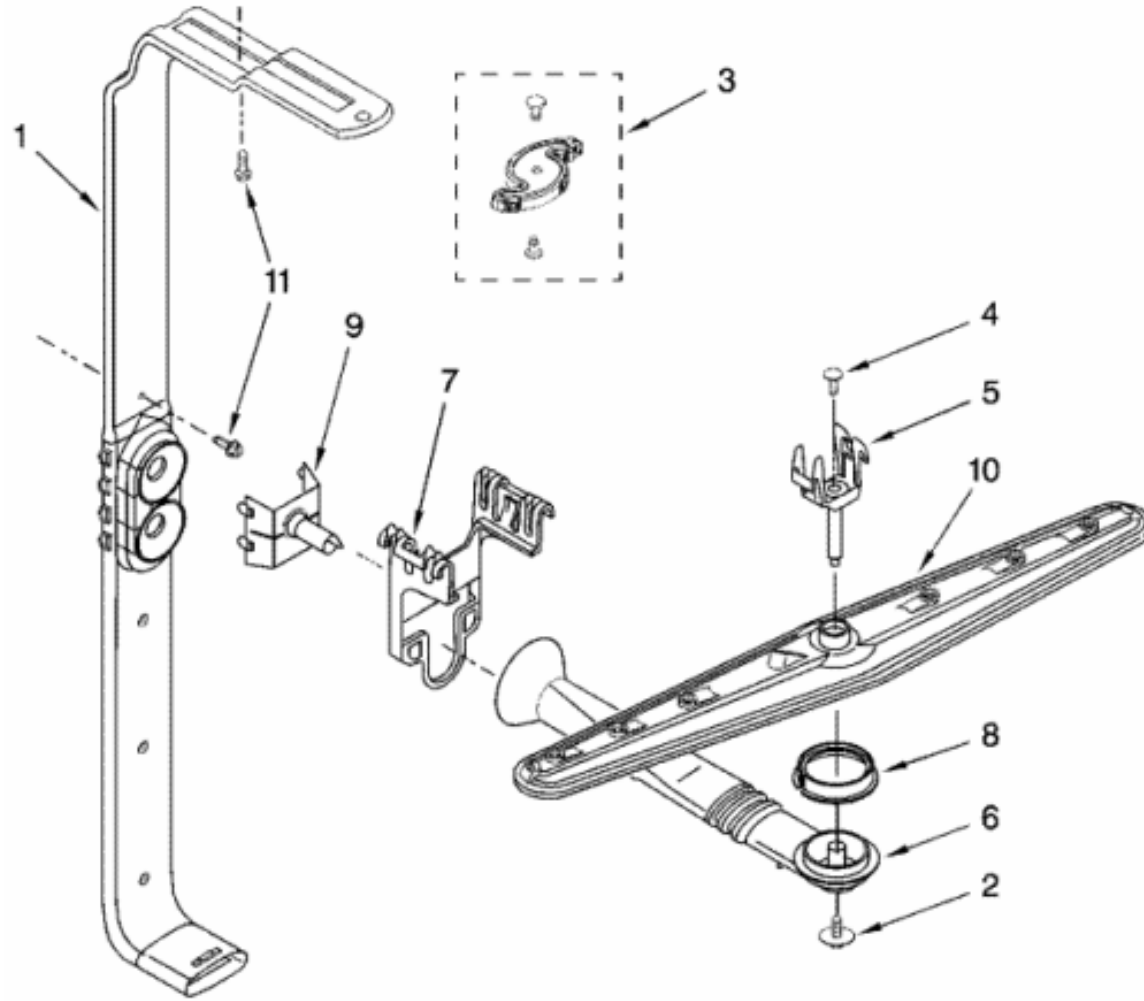
Benito Juárez 1500 Fracc. Zitoón, Guadalupe N.L.
Tels: 83-37-79-99 y 49 Sin costo: 01-800-872-79-99
Fax: 01-800-872-16-11 Sin costo: 01-800-87-16-10
www.denek.com e-mail: ventas@denek.com

WHIRLPOOL

LAVAVAJILLAS

DU1100XTPSA

AREA DEL ROCIADOR





Denek

Benito Juárez 1500 Fracc. Zitoón, Guadalupe N.L.
Tels: 83-37-79-99 y 49 Sin costo: 01-800-872-79-99
Fax: 01-800-872-16-11 Sin costo: 01-800-87-16-10
www.denek.com e-mail: ventas@denek.com

WHIRLPOOL

LAVAVAJILLAS

DU1100XTPSA

AREA DEL ROCIADOR

NUMERO	N. DE PARTE	DESCRIPCION
1	8558968	Feed Tube Assembly (Also Includes Items 3 & 9)
2	8533889	SCREW
3	8557720	Spinner, 3rd Level Wash
4	3400919	Cover, Screw
5	8268321	Mount
6	8268326	Manifold
7	8268325	Holder, Feed Tube
8	8268433	Seal, Sprayarm
9	8268293	Nozzle
10	8269024	Sprayarm
11	3400850	Screw



Denek

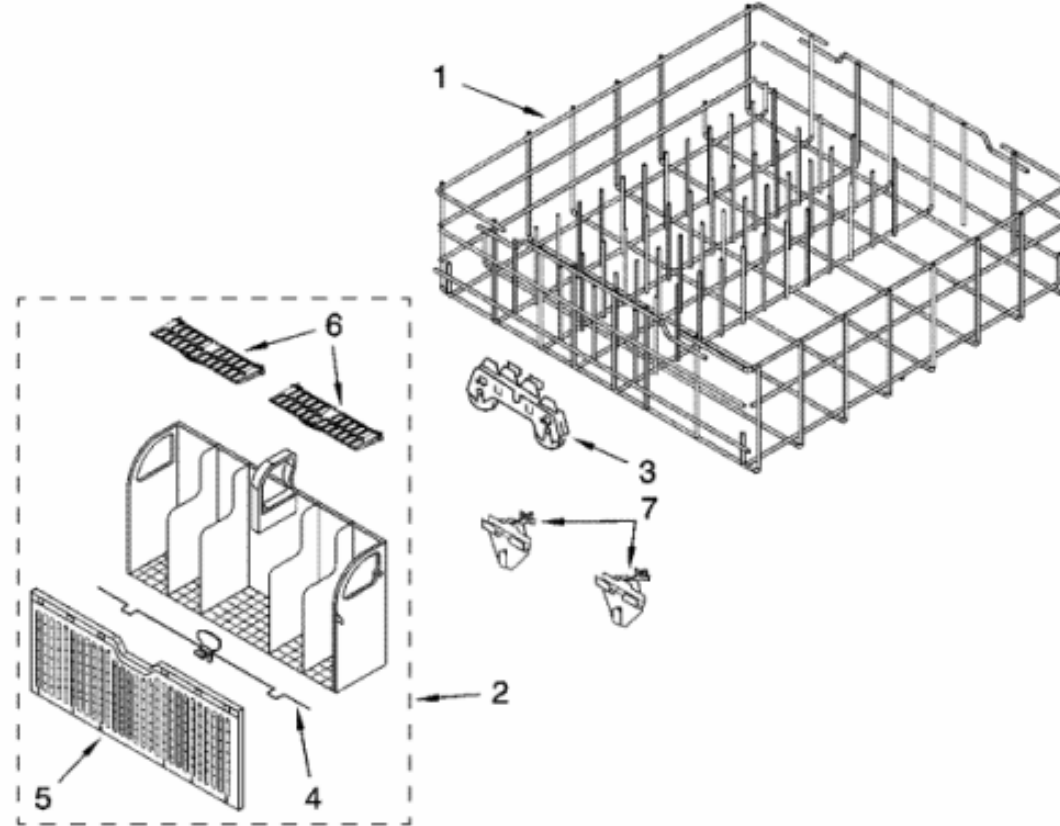
Benito Juárez 1500 Fracc. Zitoón, Guadalupe N.L.
Tels: 83-37-79-99 y 49 Sin costo: 01-800-872-79-99
Fax: 01-800-872-16-11 Sin costo: 01-800-87-16-10
www.denek.com e-mail: ventas@denek.com

WHIRLPOOL

LAVAVAJILLAS

DU1100XTPSA

CANASTILLA INFERIOR





Denek

Benito Juárez 1500 Fracc. Zitoón, Guadalupe N.L.
 Tels: 83-37-79-99 y 49 Sin costo: 01-800-872-79-99
 Fax: 01-800-872-16-11 Sin costo: 01-800-87-16-10
www.denek.com e-mail: ventas@denek.com

WHIRLPOOL

LAVAVAJILLAS

DU1100XTPSA

CANASTILLA INFERIOR

NUMERO	N. DE PARTE	DESCRIPCION
1	8539259	Lower Rack Assembly (Includes Item 3)
2	8535075	Silverware Basket
3	8268645	Wheel & Transport Assembly
4	8539118	Latch Assembly
5	8535077	Door, Silverware Basket
6	8535078	Lid, Silverware Basket
7	8269308	Clip, Silverware
	8171658	Side Panel Kits (Biscuit)
	8171659	Side Panel Kits (Stainless Steel)
	3385556	Drain Hose (12 Ft.)
	4396199	Custom Panel & Trim Kit (Black)
	4396200	Custom Panel & Trim Kit (White)
	4396201	Custom Panel & Trim Kit (Biscuit)
	4396277	Moisture Barrier Kit (Kit)
	4396838	Tip Tine Repair Kit (Enough for Two Complete Dishracks) (White)
	4396840	Tip Tine Repair Kit (Enough for Two Complete Dishracks) (Grey)
	676453	Vinyl Touch-Up (4 oz.) (White)
	676455	Vinyl Touch-Up (4 oz.) (Grey)
		ACCESSORIES
		ANTI-TIP KIT
		DISHRACK REPAIR
		POWER CORD KIT
	285006	PAINT, PRESSURIZED SPRAY (12 oz.) (Superior Black)
	350930	PAINT, PRESSURIZED SPRAY (12 oz.) (White)
	4317824	Power Cord Kit (Includes Power Cord & Misc. Hardware)
	4392899	PAINT, TOUCH-UP (1/2oz.) (Biscuit)
	4392900	PAINT, BULK (1 qt.) (Biscuit)
	4392901	PAINT, PRESSURIZED SPRAY (12 oz.) (Biscuit)
	4396194	Floor Mount Kit
	4396603	PAINT, TOUCH-UP (1/2oz.) (Meteorite)
	72017	PAINT, TOUCH-UP (1/2oz.) (White)
	72032	PAINT, TOUCH-UP (1/2oz.) (Black)
	799344	PAINT, BULK (1 qt.) (White (Uncut))
	8171656	Side Panel Kits (White)
	8171657	Side Panel Kits (Black)